



US00D918851S

(12) **United States Design Patent** (10) **Patent No.:** **US D918,851 S**
Shim et al. (45) **Date of Patent:** **** May 11, 2021**

(54) **REAR SEAT TELEVISION MONITOR FOR AUTOMOBILES**

(71) Applicant: **LG ELECTRONICS INC.**, Seoul (KR)
(72) Inventors: **Inkoo Shim**, Seoul (KR); **Jinhee Kim**, Seoul (KR)
(73) Assignee: **LG ELECTRONICS INC.**, Seoul (KR)
(**) Term: **15 Years**

(21) Appl. No.: **35/508,553**
(22) Filed: **Aug. 1, 2019**

(80) **Hague Agreement Data**
Int. Filing Date: **Aug. 1, 2019**
Int. Reg. No.: **DM/205696**
Int. Reg. Date: **Aug. 1, 2019**
Int. Reg. Pub. Date: **Feb. 14, 2020**

(30) **Foreign Application Priority Data**
Feb. 15, 2019 (KR) 30-2019-0006817
(51) **LOC (13) Cl.** **14-03**
(52) **U.S. Cl.**
USPC **D14/126**; D14/129
CPC **B64D 11/00154** (2014.12)
(58) **Field of Classification Search**
USPC D14/125, 126, 129, 140.11, 217, 239, D14/511, 371, 374, 379, 432, 440, 448, D14/450, 336, 341, 485, 492; D21/329, D21/321, 333, 369, 370, 371, 515; D10/15, 75, 80, 104.1, 109.1, 109.2, 121; D6/356
CPC G06F 1/18; H04N 7/18; B64D 11/00152; B64D 11/00154; B60R 11/0229; B60R 11/02; B60R 2011/0017
See application file for complete search history.

(56) **References Cited**

U.S. PATENT DOCUMENTS

4,630,821 A * 12/1986 Greenwald A47C 7/725 463/1
D299,491 S * 1/1989 Masuda D12/188
D413,856 S * 9/1999 Scribner D12/418
D454,122 S * 3/2002 Hori D14/132
D469,068 S * 1/2003 Furusawa D14/126
D469,413 S * 1/2003 To D14/126
7,070,237 B2 * 7/2006 Rochel B60R 11/0235 248/118
D564,991 S * 3/2008 Vitito D14/126
D575,252 S * 8/2008 Iwamoto D14/132

(Continued)

Primary Examiner — Richard E Chilcot

(74) *Attorney, Agent, or Firm* — Birch, Stewart, Kolasch & Birch, LLP

(57) **CLAIM**

The ornamental design for a rear seat television monitor for automobiles, as shown and described.

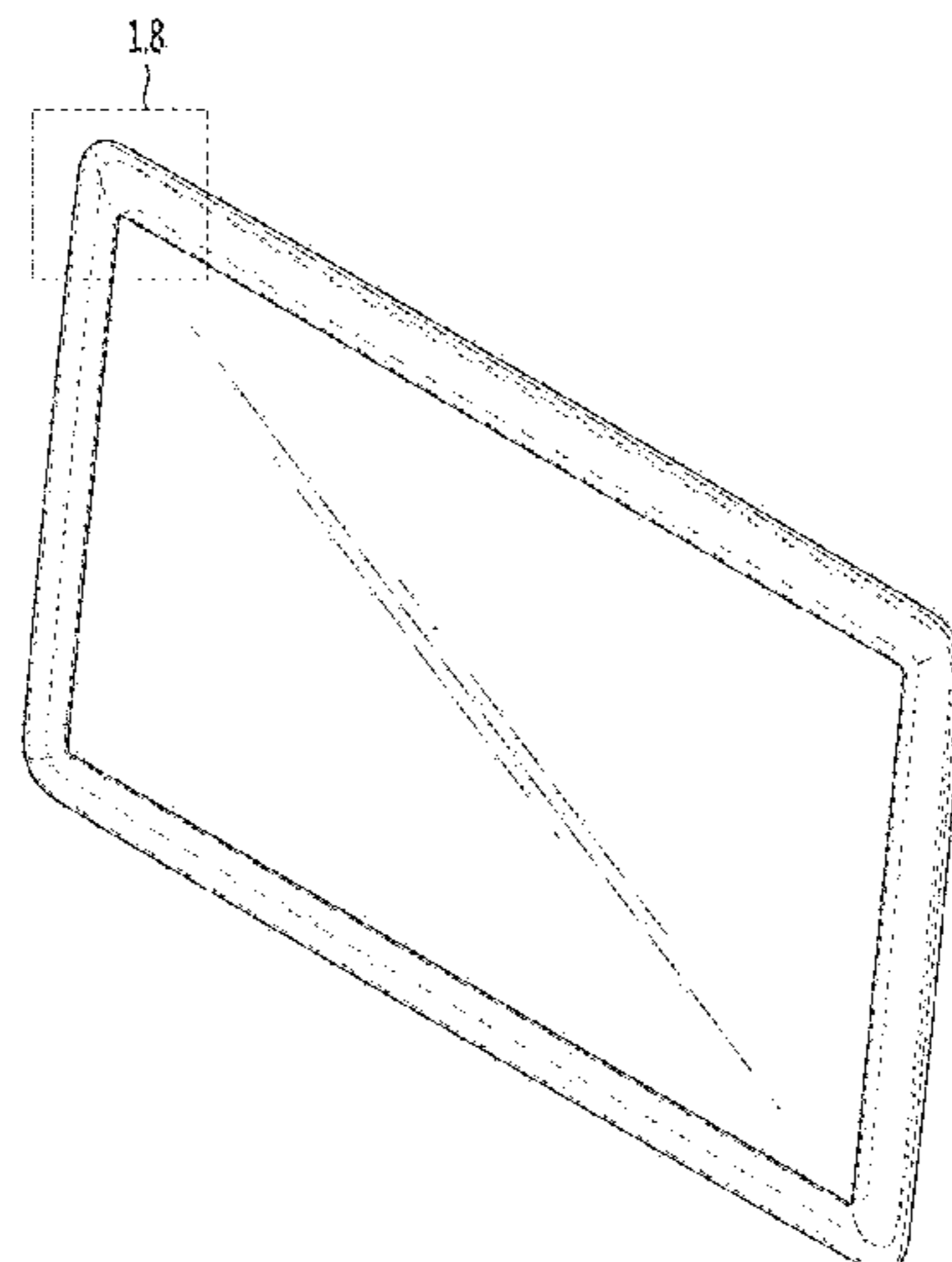
DESCRIPTION

1. Rear seat television monitor for automobiles

- 1.1 : Perspective
- 1.2 : Front
- 1.3 : Back
- 1.4 : Left
- 1.5 : Right
- 1.6 : Top
- 1.7 : Bottom
- 1.8 : Enlarged
- 1.9 : Enlarged
- 1.10 : Reference

The broken lines indicate portions of the article that form no part of the claimed design; reproduction 1.8 and 1.9 are enlarged views of portions of reproduction 1.1 and 1.4, respectively, represented by the squares in dot-dashed lines, curvy lines and the number 1.8 and 1.9; reproduction 1.10 is

(Continued)



a reference view showing a state of use in which it is installed on the back of car seat.

1 Claim, 10 Drawing Sheets

(56)

References Cited

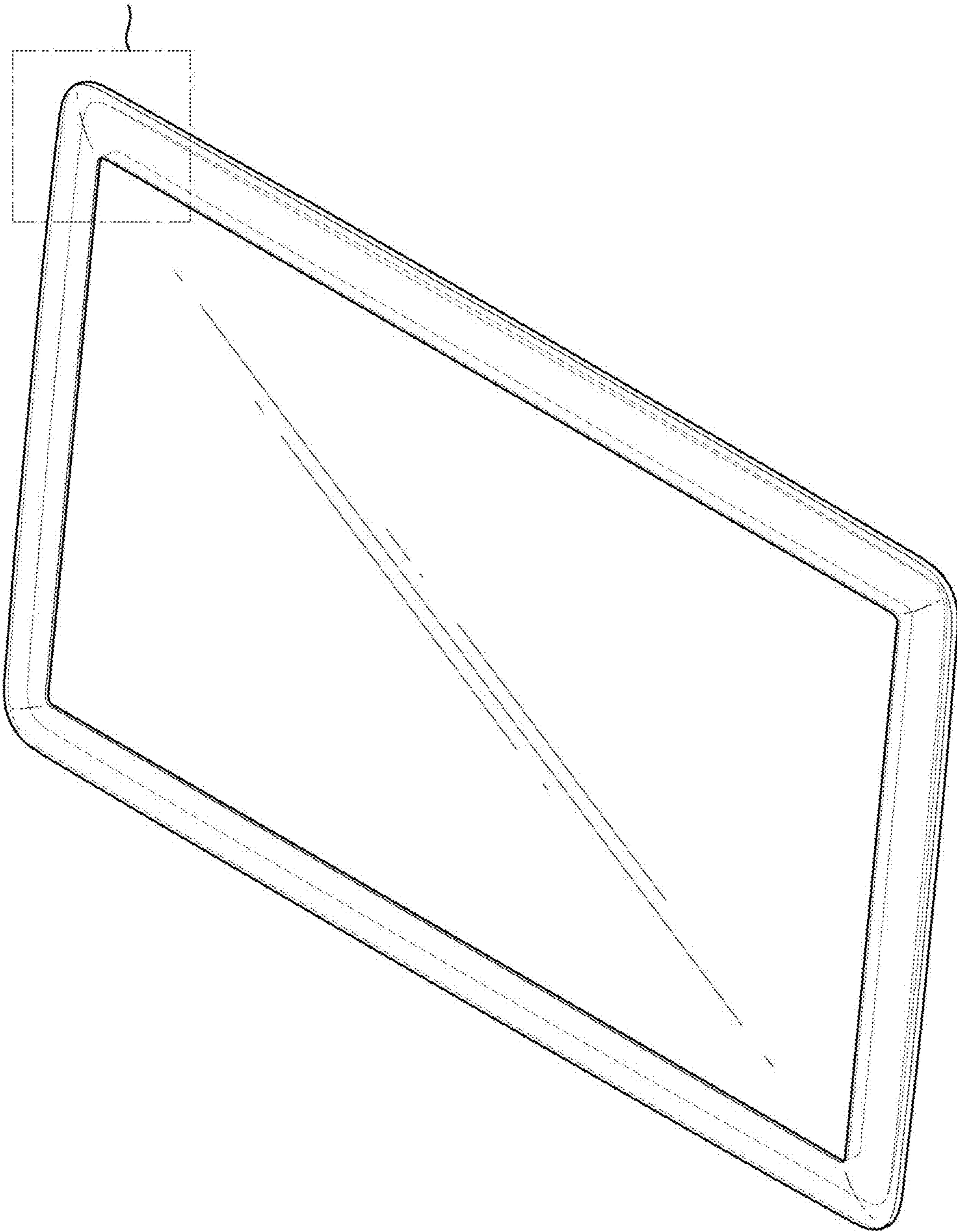
U.S. PATENT DOCUMENTS

D590,363	S *	4/2009	Yamamoto	D14/132
D702,658	S *	4/2014	Kim	D14/126
8,730,413	B2 *	5/2014	Tranchina	B60R 11/0235 348/837
D709,466	S *	7/2014	Sugita	D14/126
D749,052	S *	2/2016	Margis	D14/126
D753,077	S *	4/2016	Margis	D14/126
9,393,915	B2 *	7/2016	Vitito	B60R 11/0235
D807,842	S *	1/2018	Sugita	D14/126
D819,582	S *	6/2018	Izadyar	D14/126
10,160,362	B2 *	12/2018	Harris	B60N 2/815
D904,328	S *	12/2020	Margis	B64D 11/00154 D14/126
2011/0155873	A1 *	6/2011	Montag	B60R 11/02 248/218.4
2012/0018471	A1 *	1/2012	Guillermo	B60R 11/0235 224/275
2014/0077539	A1 *	3/2014	Brawner	B60R 11/0229 297/217.3
2016/0161052	A1 *	6/2016	Griggs	F16B 1/00 320/108

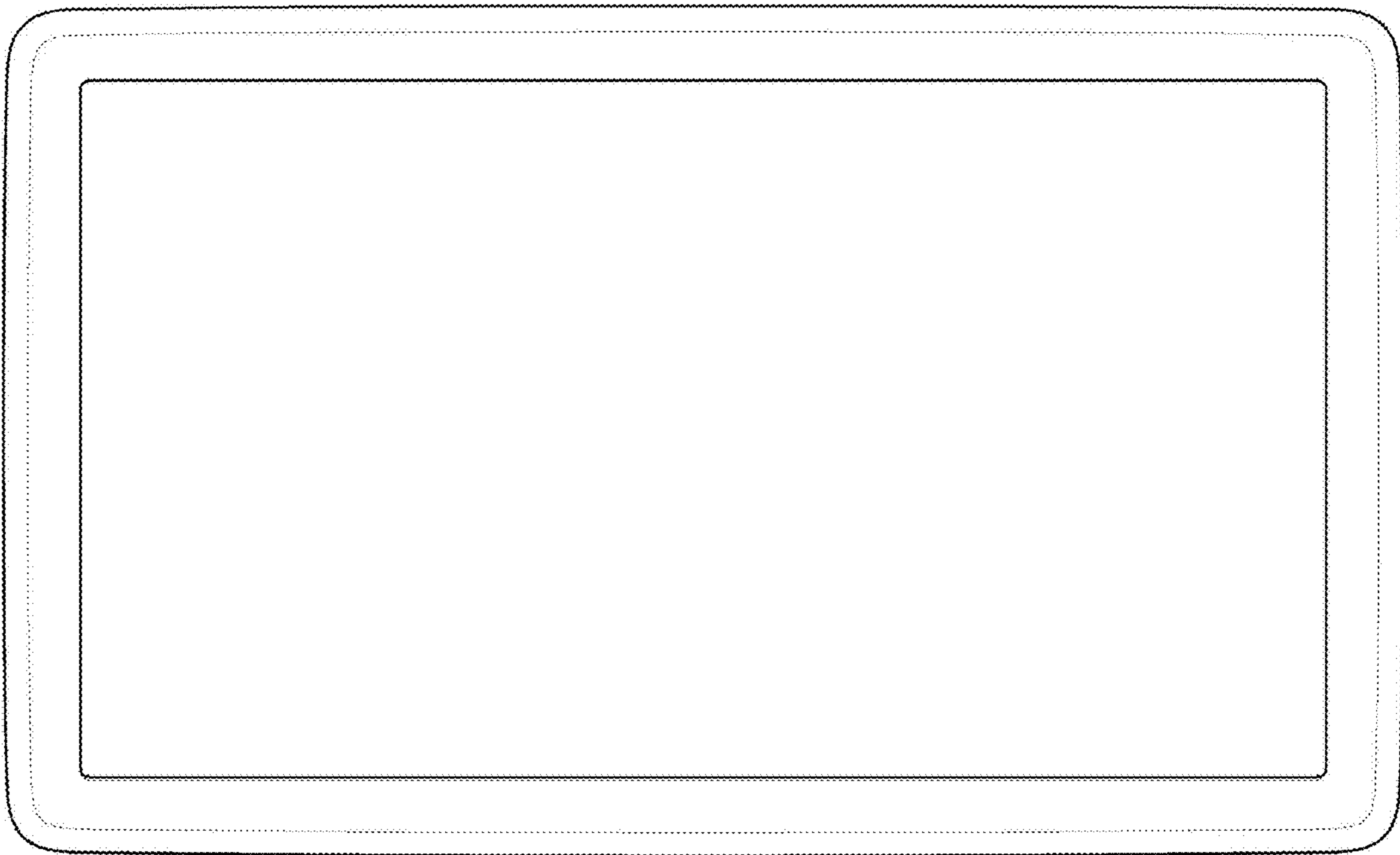
* cited by examiner

1.1

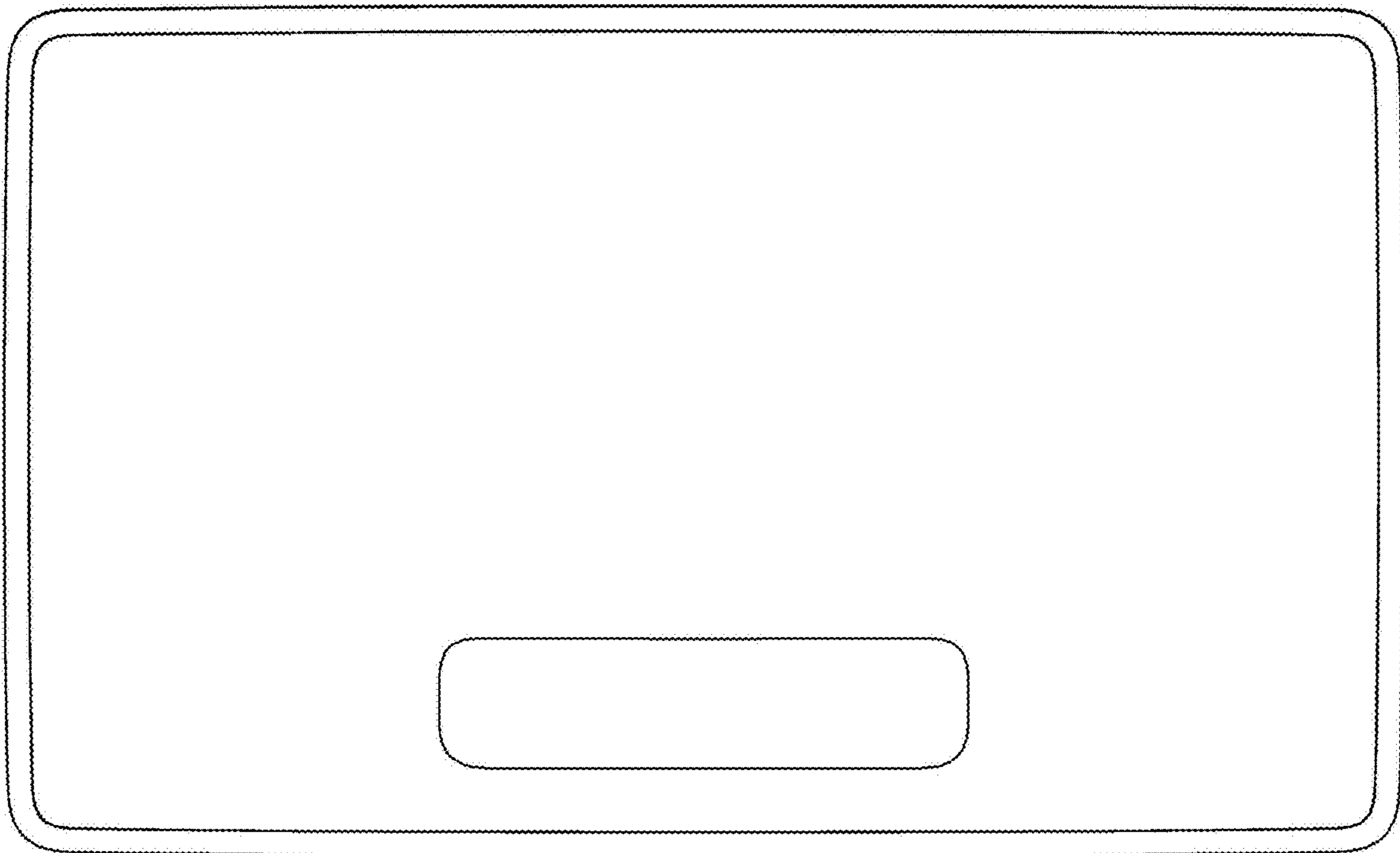
1.8



1.2

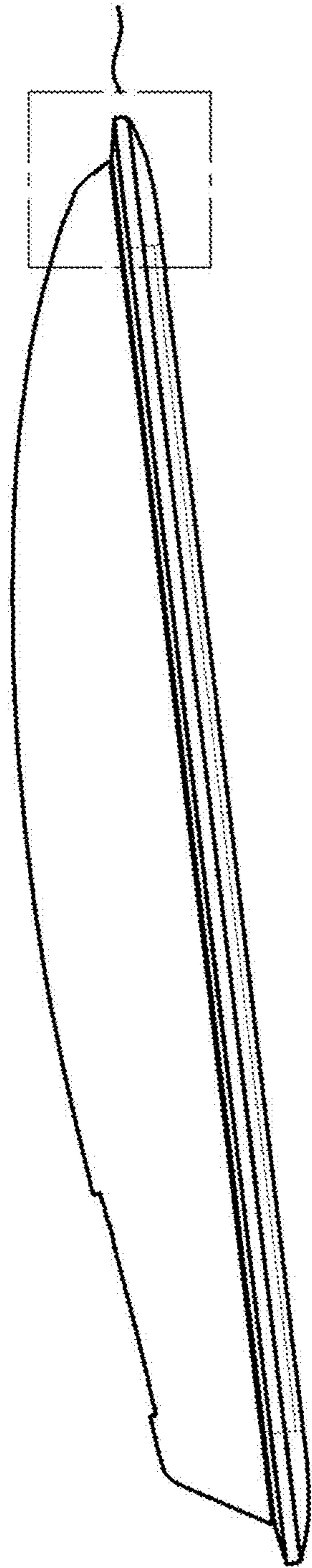


1.3

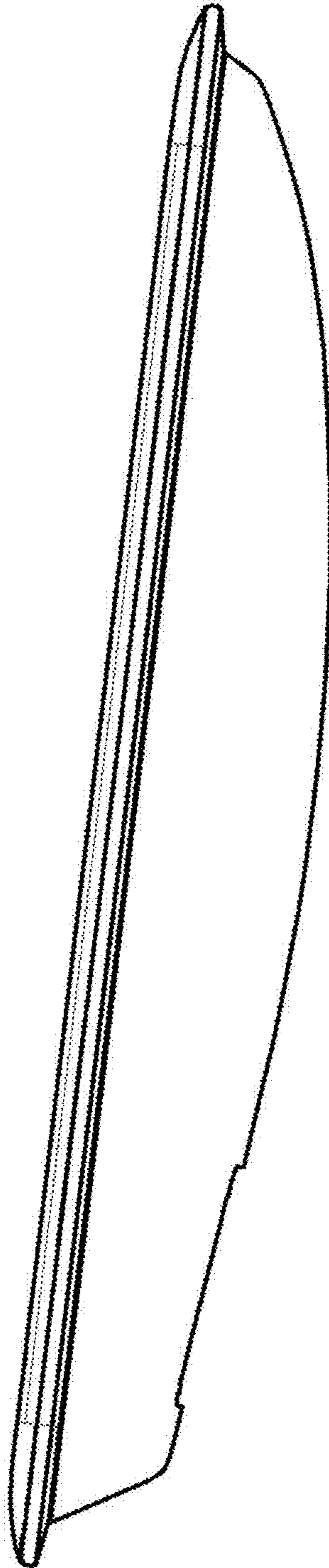


1.4

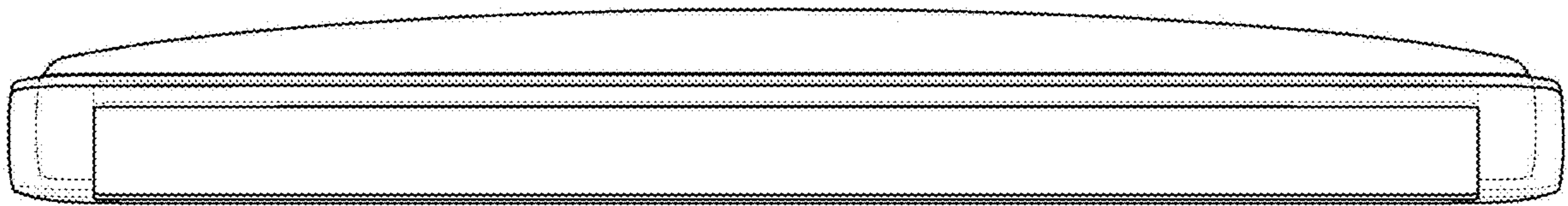
1.9



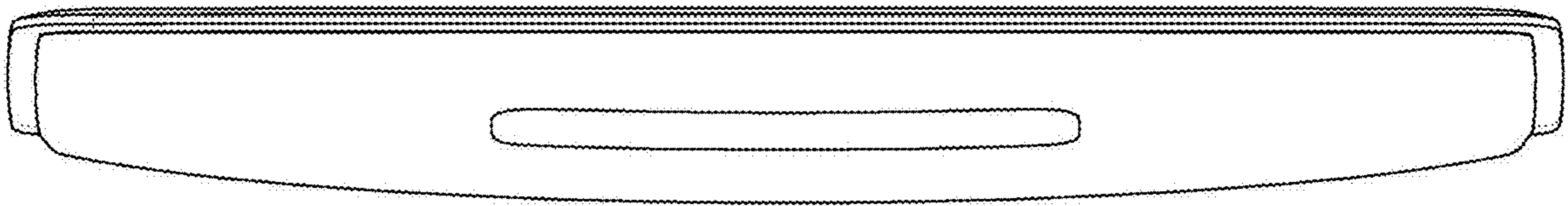
1.5



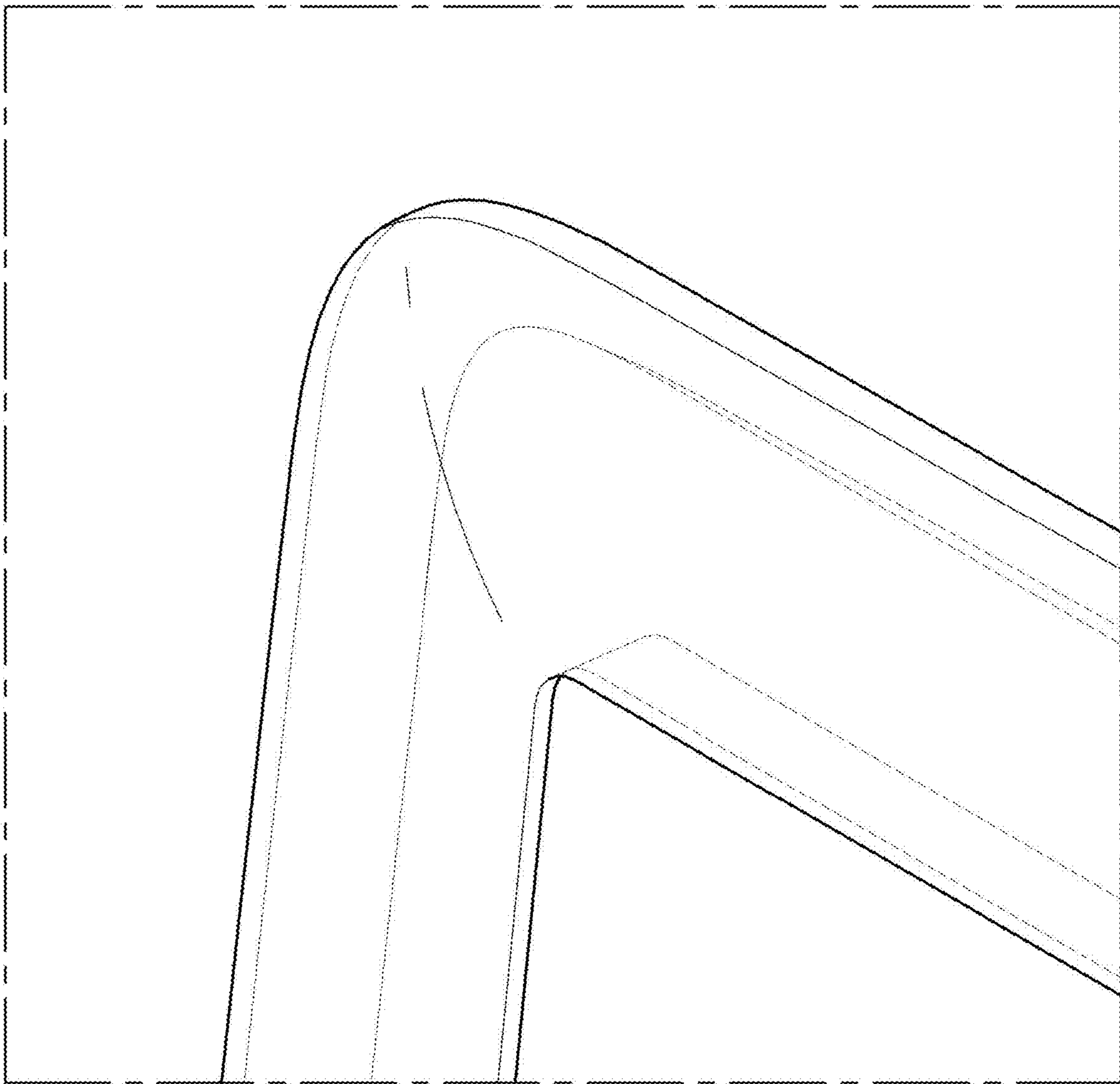
1.6



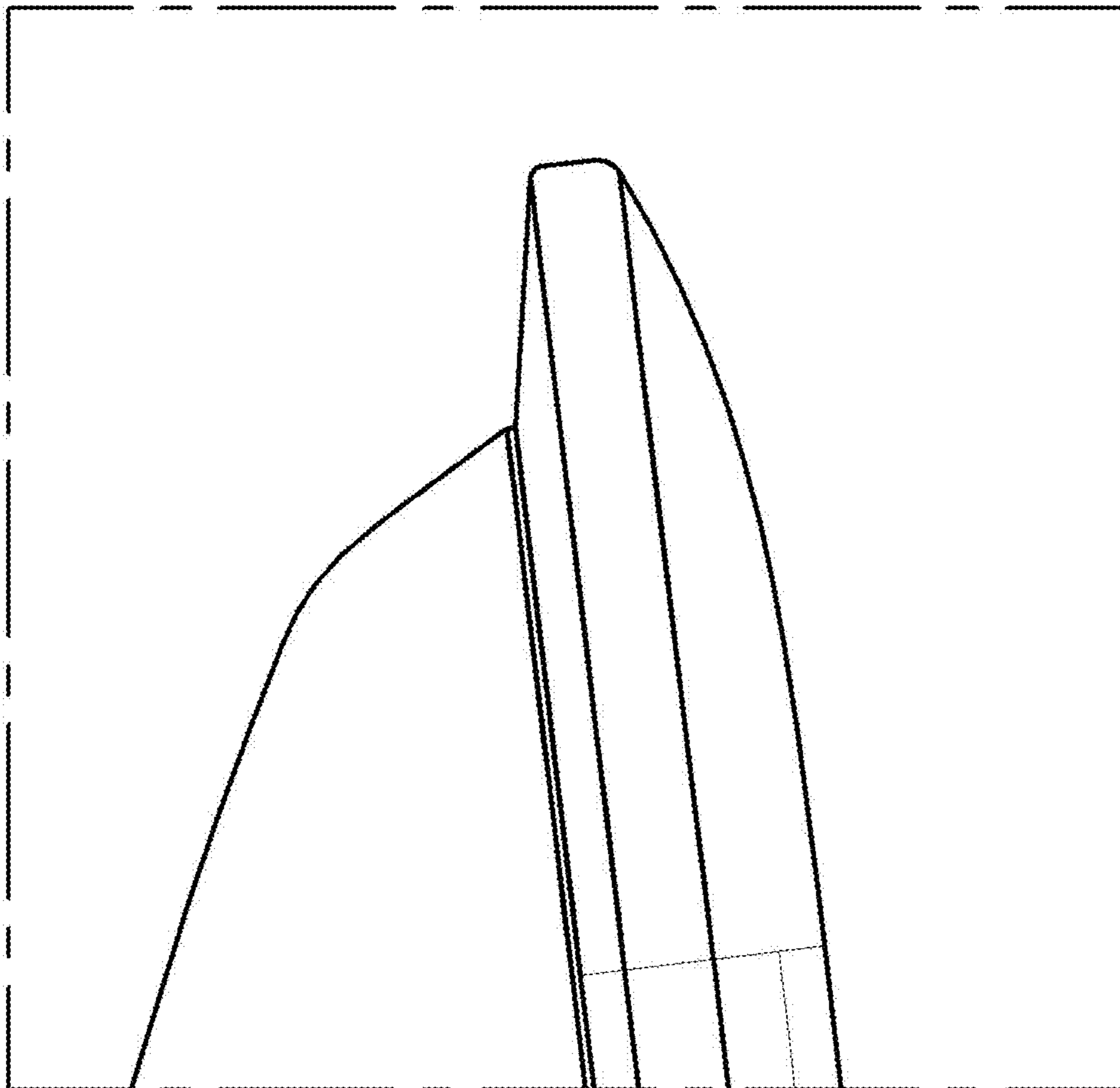
1.7



1.8



1.9



1.10

