



US00D918850S

(12) **United States Design Patent** (10) **Patent No.:** **US D918,850 S**  
**Shim et al.** (45) **Date of Patent:** **\*\* May 11, 2021**

(54) **REAR SEAT TELEVISION MONITOR FOR AUTOMOBILES**

(71) Applicant: **LG ELECTRONICS INC.**, Seoul (KR)  
(72) Inventors: **Inkoo Shim**, Seoul (KR); **Jinhee Kim**, Seoul (KR)  
(73) Assignee: **LG ELECTRONICS INC.**, Seoul (KR)  
(\*\*) Term: **15 Years**

(21) Appl. No.: **35/508,551**

(22) Filed: **Aug. 1, 2019**

(80) **Hague Agreement Data**

Int. Filing Date: **Aug. 1, 2019**  
Int. Reg. No.: **DM/205681**  
Int. Reg. Date: **Aug. 1, 2019**  
Int. Reg. Pub. Date: **Feb. 14, 2020**

(30) **Foreign Application Priority Data**

Feb. 15, 2019 (KR) ..... 30-2019-0006813

(51) **LOC (13) Cl.** ..... **14-03**

(52) **U.S. Cl.**  
USPC ..... **D14/126**; D14/129  
CPC ..... **B64D 11/00154** (2014.12)

(58) **Field of Classification Search**

USPC ..... D14/125, 126, 129, 140.11, 217, 239, D14/511, 371, 374, 379, 432, 440, 448, D14/450, 336, 341, 485, 492; D21/329, D21/321, 333, 369, 370, 371, 515; D10/15, 75, 80, 104.1, 109.1, 109.2, 121; D6/356  
CPC ..... G06F 1/18; H04N 7/18; B64D 11/00152; B64D 11/00154; B60R 11/0229; B60R 11/02; B60R 2011/0017

See application file for complete search history.

(56) **References Cited**

U.S. PATENT DOCUMENTS

4,630,821 A \* 12/1986 Greenwald ..... A47C 7/725 463/1  
D299,491 S \* 1/1989 Masuda ..... D12/188  
D413,856 S \* 9/1999 Scribner ..... D12/418  
D454,122 S \* 3/2002 Hori ..... D14/132  
D469,068 S \* 1/2003 Furusawa ..... D14/126  
D469,413 S \* 1/2003 To ..... D14/126  
7,070,237 B2 \* 7/2006 Rochel ..... B60R 11/0235 248/118  
D564,991 S \* 3/2008 Vitito ..... D14/126  
D575,252 S \* 8/2008 Iwamoto ..... D14/132  
D590,363 S \* 4/2009 Yamamoto ..... D14/132

(Continued)

*Primary Examiner* — Richard E Chilcot

(74) *Attorney, Agent, or Firm* — Birch, Stewart, Kolasch & Birch, LLP

(57) **CLAIM**

The ornamental design for a rear seat television monitor for automobiles, as shown and described.

**DESCRIPTION**

1. Rear seat television monitor for automobiles

**1.1** : Perspective

**1.2** : Front

**1.3** : Back

**1.4** : Left

**1.5** : Right

**1.6** : Top

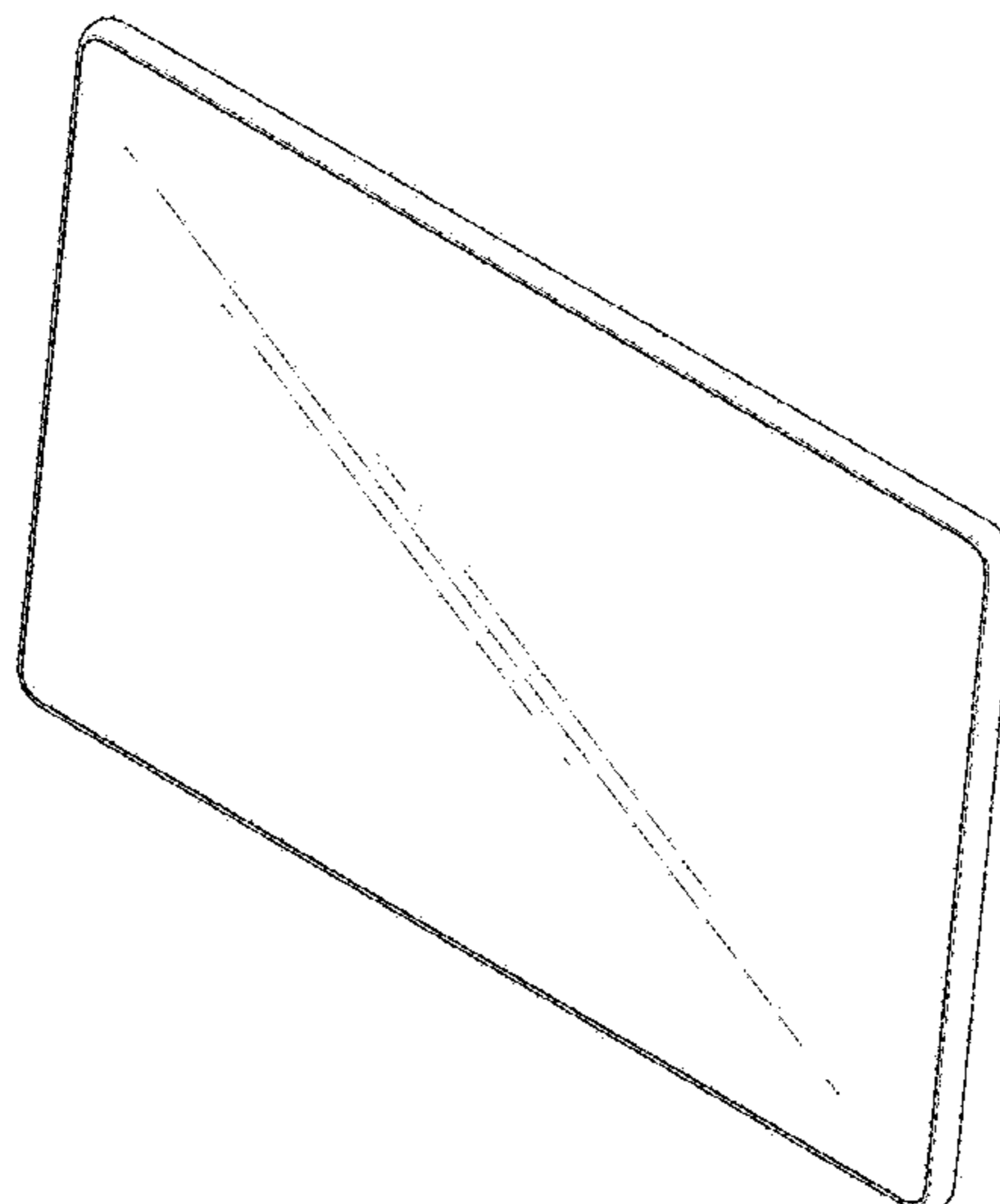
**1.7** : Bottom

**1.8** : Enlarged

**1.9** : Reference

The broken lines indicate portions of the article that form no part of the claimed design; reproduction **1.8** is an enlarged view of portion of reproduction **1.4**, represented by the squares in dot-dashed lines, curvy lines and the number **1.8**; reproduction **1.9** is a reference view showing a state of use in which it is installed on the back of car seat.

**1 Claim, 9 Drawing Sheets**



(56)

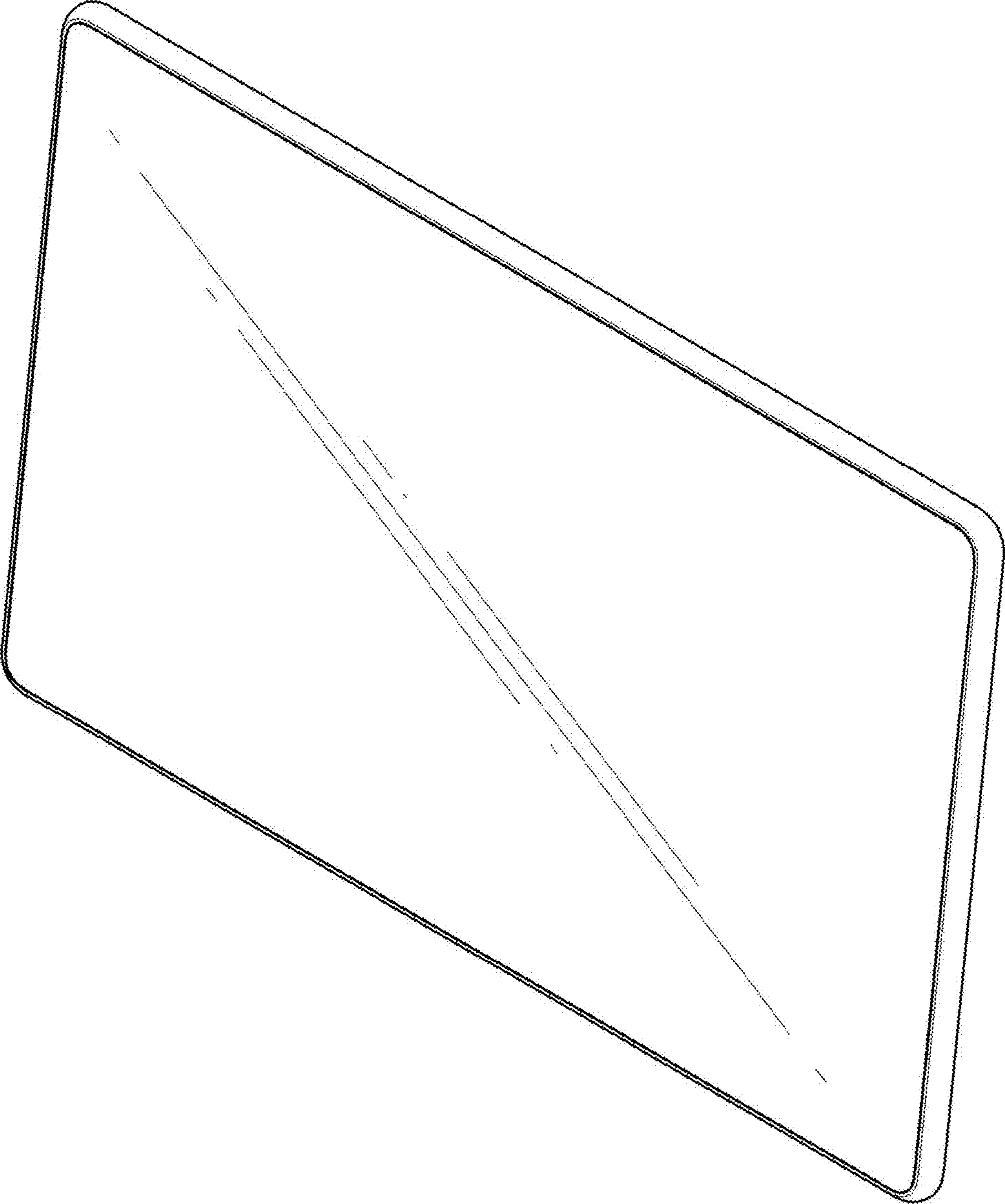
**References Cited**

U.S. PATENT DOCUMENTS

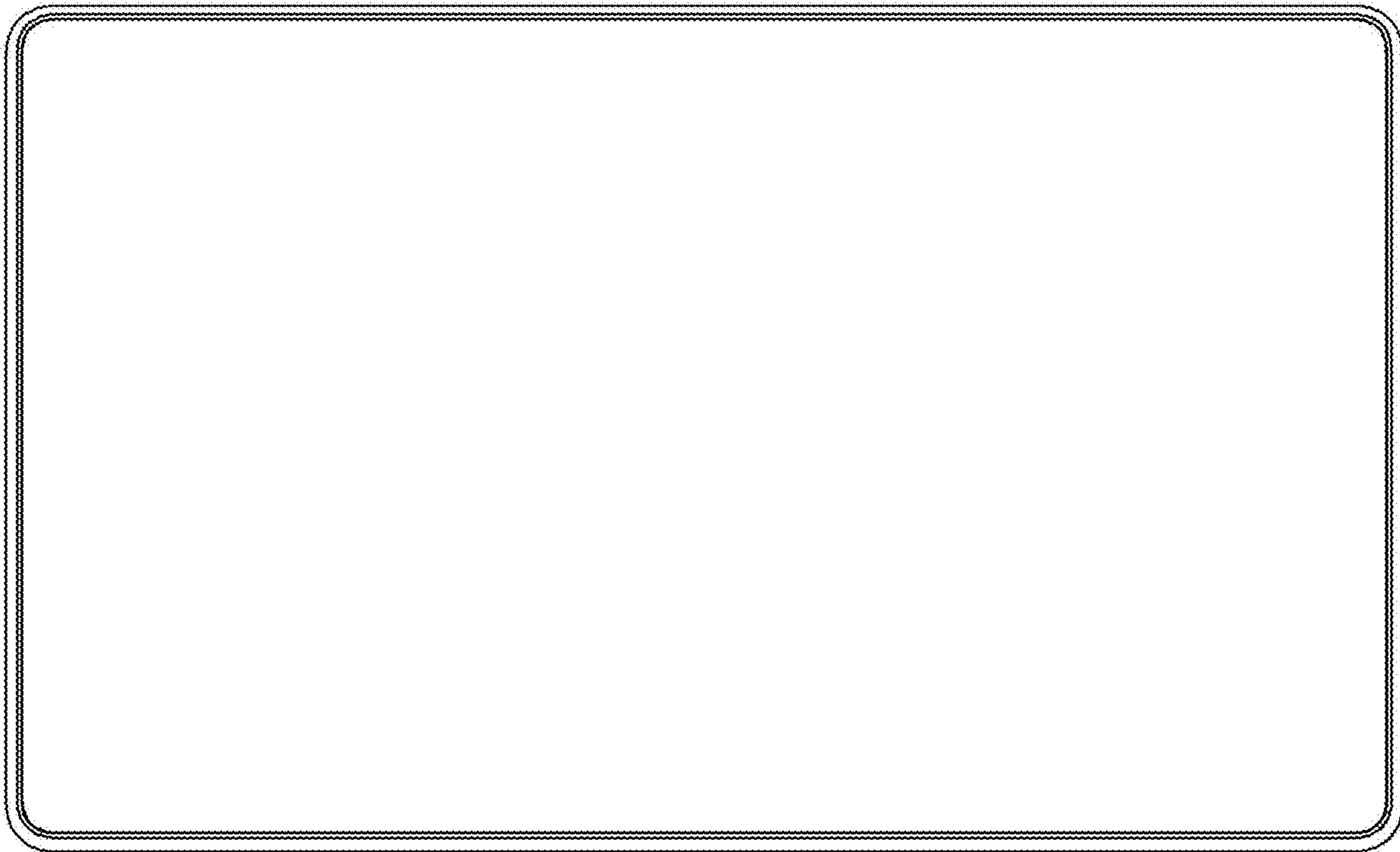
D702,658 S \* 4/2014 Kim ..... D14/126  
8,730,413 B2 \* 5/2014 Tranchina ..... B60R 11/0235  
348/837  
D709,466 S \* 7/2014 Sugita ..... D14/126  
D749,052 S \* 2/2016 Margis ..... D14/126  
D753,077 S \* 4/2016 Margis ..... D14/126  
9,393,915 B2 \* 7/2016 Vitito ..... B60R 11/0235  
D807,842 S \* 1/2018 Sugita ..... D14/126  
D819,582 S \* 6/2018 Izadyar ..... D14/126  
10,160,362 B2 \* 12/2018 Harris ..... B60N 2/815  
D904,328 S \* 12/2020 Margis ..... B64D 11/00154  
D14/126  
2011/0155873 A1 \* 6/2011 Montag ..... B60R 11/02  
248/218.4  
2012/0018471 A1 \* 1/2012 Guillermo ..... B60R 11/0235  
224/275  
2014/0077539 A1 \* 3/2014 Brawner ..... B60R 11/0229  
297/217.3  
2016/0161052 A1 \* 6/2016 Griggs ..... F16B 1/00  
320/108

\* cited by examiner

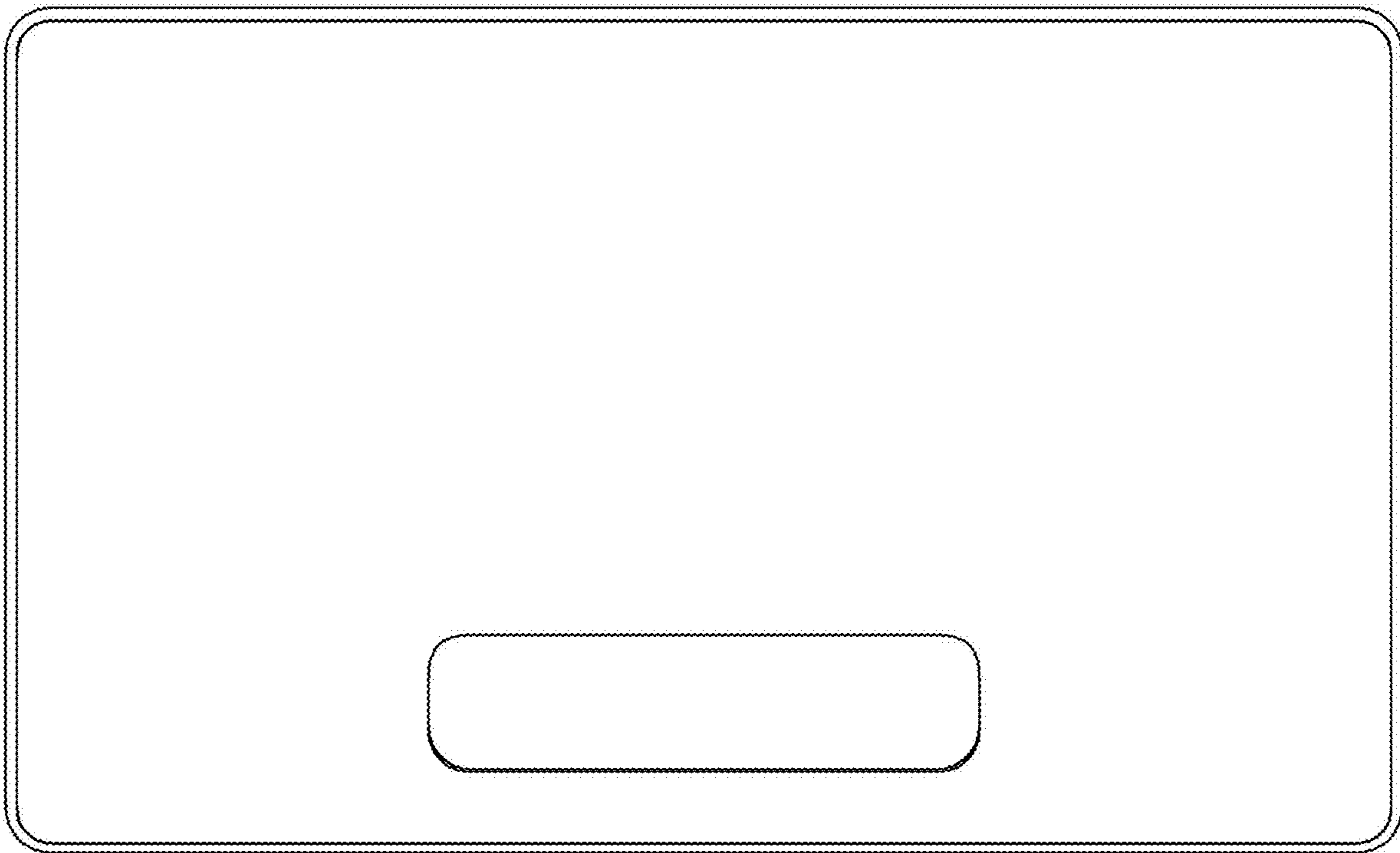
1.1



1.2



1.3

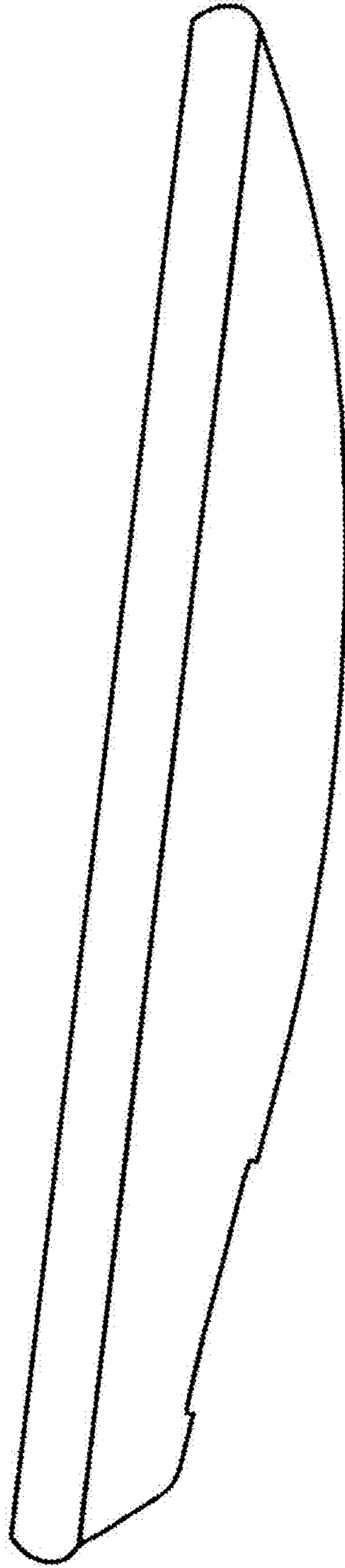


1.4

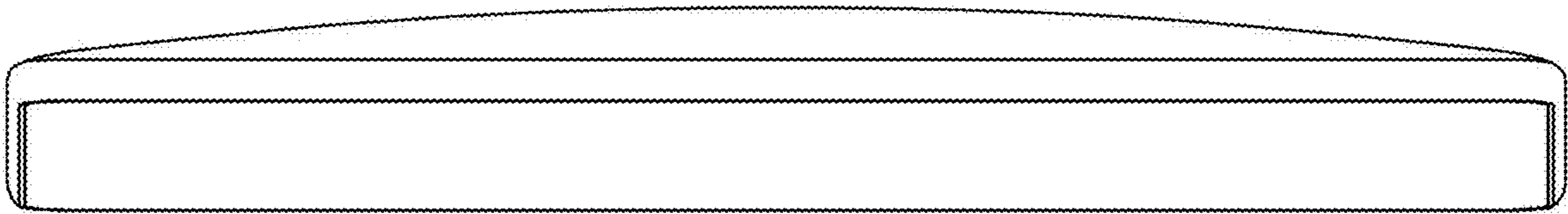
1.8



1.5

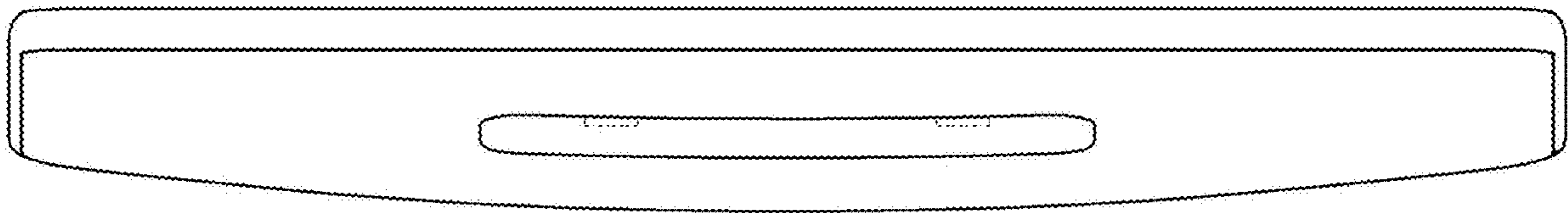


1.6

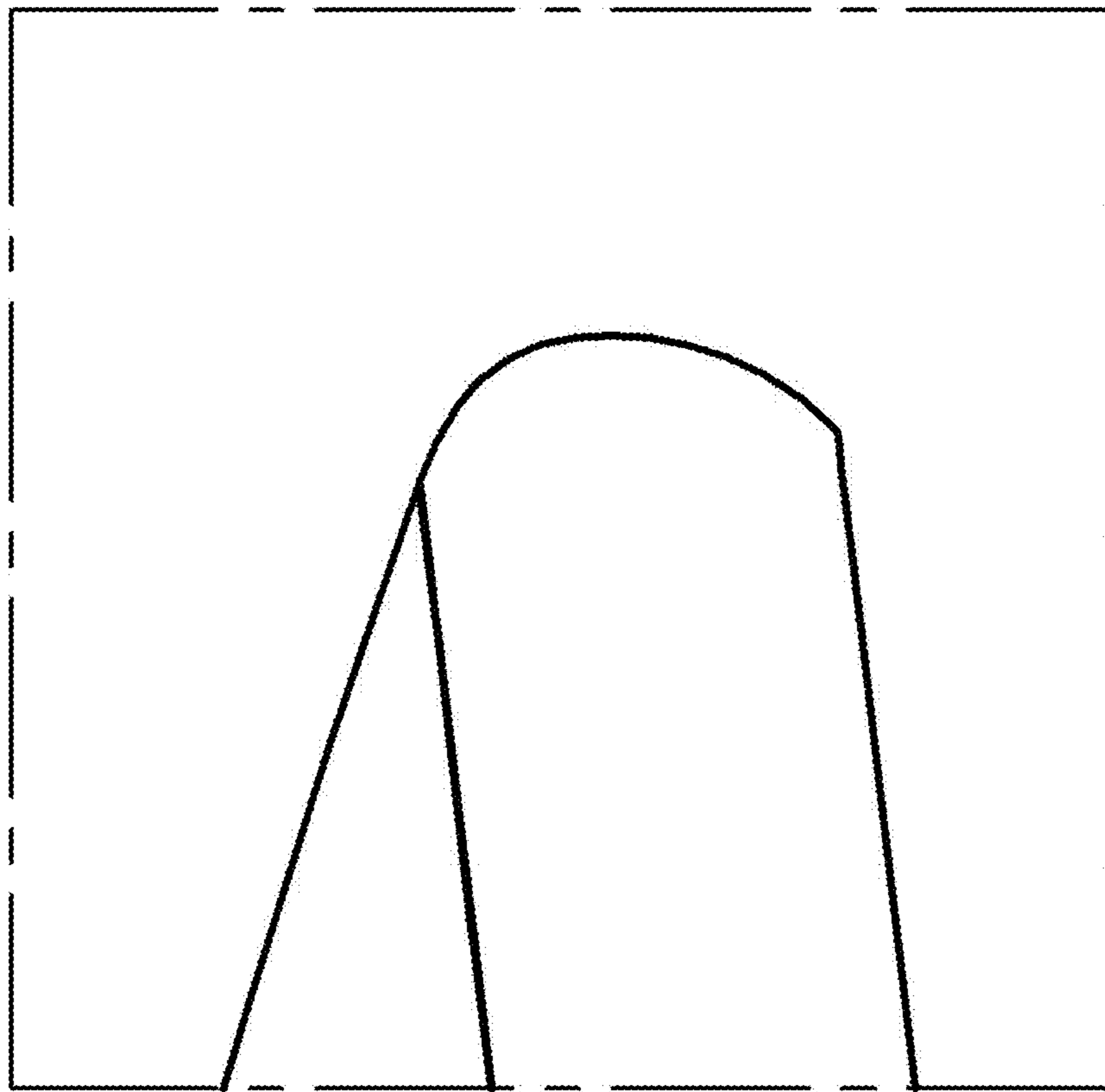




1.7



1.8



1.9

