



US00D918844S

(12) **United States Design Patent**  
**Wang et al.**

(10) **Patent No.:** **US D918,844 S**  
(45) **Date of Patent:** **\*\* May 11, 2021**

(54) **MODULAR SOCKET PANEL**

- (71) Applicant: **Sipomac Technology Company Limited**, Kwun Tong (HK)
- (72) Inventors: **Sai Man Wang**, Kwun Tong (HK); **Sek Un Fong**, Kwun Tong (HK)
- (73) Assignee: **Sipomac Technology Company Limited**, Kwun Tong (HK)

- (\*\*) Term: **15 Years**
- (21) Appl. No.: **29/690,663**
- (22) Filed: **May 9, 2019**

(30) **Foreign Application Priority Data**

Nov. 13, 2018 (CN) ..... 201830641765.2

(51) **LOC (13) Cl.** ..... **13-03**

(52) **U.S. Cl.**  
USPC ..... **D13/152**

(58) **Field of Classification Search**  
USPC ..... D13/123, 126, 152, 156, 158-160, 162, D13/173, 177, 184, 199  
CPC ..... H01R 13/60; H01R 13/66; H01R 24/78; H01R 31/00; H01R 31/005; H01R 31/06; H02G 3/08; H02G 3/18; H02G 3/36  
See application file for complete search history.

(56) **References Cited**

**U.S. PATENT DOCUMENTS**

- 3,609,647 A 9/1971 Castellano
- 5,015,203 A 5/1991 Furrow
- 5,064,386 A \* 11/1991 Dale ..... H01R 12/778  
439/535
- D348,870 S \* 7/1994 Warrington ..... D13/152  
(Continued)

**FOREIGN PATENT DOCUMENTS**

- CN 201266760 7/2009
- CN 204615090 9/2015

(Continued)

**OTHER PUBLICATIONS**

Sipomac.com.cn., dated Oct. 2, 2020, [online], [site visited Oct. 16, 2020], Available from Internet, URL: <https://sipomac.com.cn/> (Year: 2020).\*

*Primary Examiner* — Shawn T Gingrich  
(74) *Attorney, Agent, or Firm* — Wells St. John P.S.

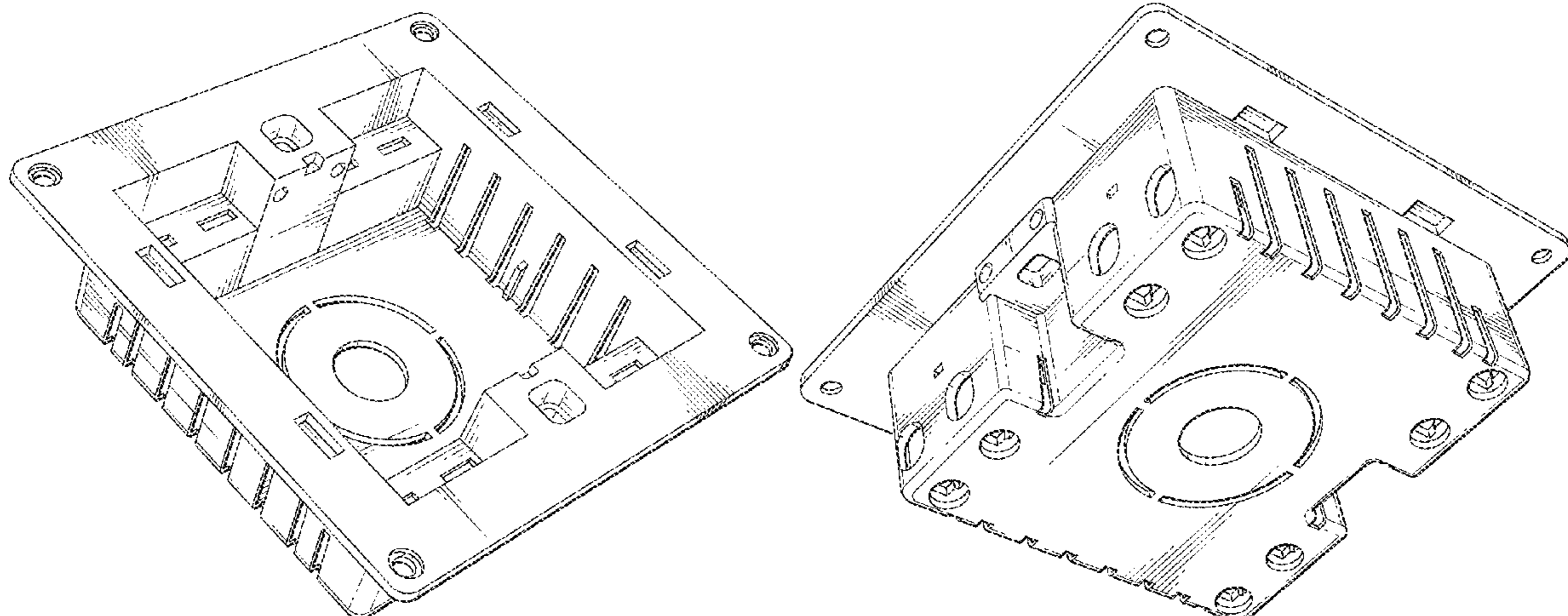
(57) **CLAIM**

We claim the ornamental design for a modular socket panel, as shown and described.

**DESCRIPTION**

FIG. 1 is a bottom view of a modular socket panel.  
 FIG. 2 is a top view of the modular socket panel shown in FIG. 1.  
 FIG. 3 is a front view of the modular socket panel shown in FIG. 1.  
 FIG. 4 is a rear view of the modular socket panel shown in FIG. 1.  
 FIG. 5 is a left view of the modular socket panel shown in FIG. 1.  
 FIG. 6 is a right view of the modular socket panel shown in FIG. 1.  
 FIG. 7 is a first perspective view showing details of the top and front views of the modular socket panel shown in FIGS. 2-3.  
 FIG. 8 is a second perspective view showing details of the top, right and rear views of the modular socket panel shown in FIGS. 2, 4 and 6; and,  
 FIG. 9 is a third perspective view showing details of the bottom, right and rear views of the modular socket panel shown in FIGS. 1, 4 and 6.  
 The broken lines in the drawings illustrate portions of the modular socket panel that form no part of the claimed design.

**1 Claim, 6 Drawing Sheets**



(56)

References Cited

U.S. PATENT DOCUMENTS

5,578,791 A \* 11/1996 Bosse, Jr. .... H02G 3/10  
174/481  
5,848,907 A 12/1998 Chen  
6,095,850 A 8/2000 Liu  
6,939,179 B1 9/2005 Kieffer, Jr.  
6,945,815 B1 9/2005 Mullally  
7,078,618 B2 \* 7/2006 Dinh ..... H02G 3/123  
174/481  
7,160,147 B1 1/2007 Stephan  
D563,896 S \* 3/2008 Greenslate ..... D10/104.1  
7,425,877 B2 9/2008 Gates  
7,569,771 B2 8/2009 Nicholson  
8,287,305 B2 10/2012 Sil  
8,348,683 B2 1/2013 Row  
8,415,561 B2 4/2013 Gates  
8,445,780 B1 \* 5/2013 Robins ..... H02G 3/14  
174/67  
D692,836 S \* 11/2013 Thomas ..... D13/152  
D700,893 S \* 3/2014 Thomas ..... D13/152  
8,686,287 B1 \* 4/2014 Gretz ..... H02G 3/123  
174/58  
D713,828 S \* 9/2014 Stifal ..... D14/239  
8,864,507 B2 10/2014 Row

8,912,442 B2 12/2014 Smith  
D722,296 S \* 2/2015 Taylor ..... D13/152  
D772,817 S \* 11/2016 Lunjevich ..... D13/152  
9,748,715 B2 8/2017 Wang et al.  
10,361,546 B2 \* 7/2019 Madathil Sankarankutty Nair .....  
H02G 3/081  
D886,746 S \* 6/2020 Anadasu ..... D13/158  
D887,366 S \* 6/2020 Madathil Sankarankutty Nair .....  
D13/152  
2003/0178421 A1 \* 9/2003 Almond ..... H02G 3/383  
220/3.8  
2015/0380913 A1 \* 12/2015 Roberts ..... H02G 3/18  
248/231.91  
2016/0134062 A1 5/2016 Wang et al.  
2016/0233605 A1 \* 8/2016 Hernandez Ramirez .....  
H02G 3/32

FOREIGN PATENT DOCUMENTS

GB 1422428 1/1976  
GB 2438001 11/2007  
GB 2469223 10/2010  
GB 1519547.2 4/2016  
GB 6060356 \* 10/2019

\* cited by examiner

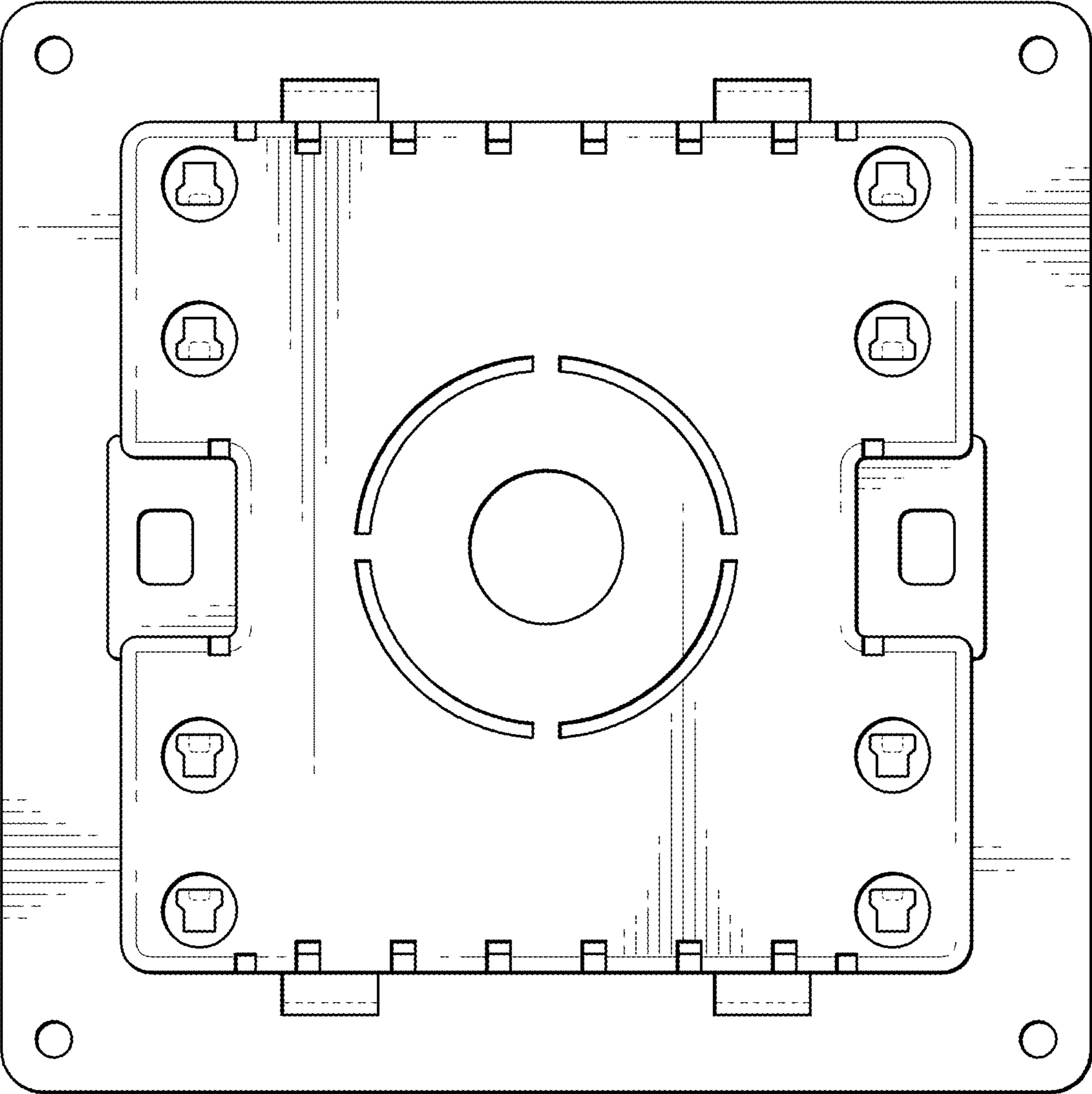


FIG. 1

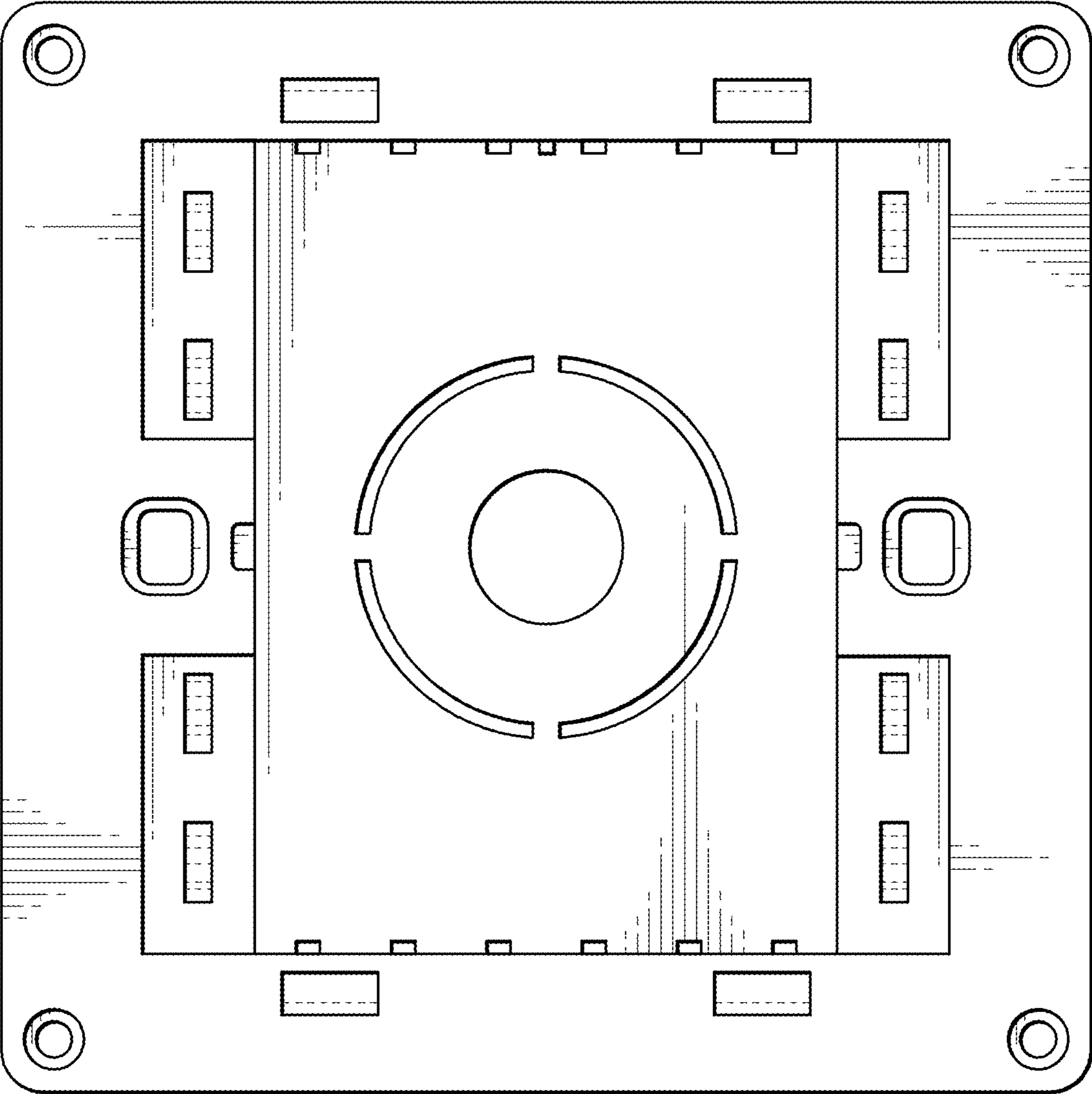


FIG. 2

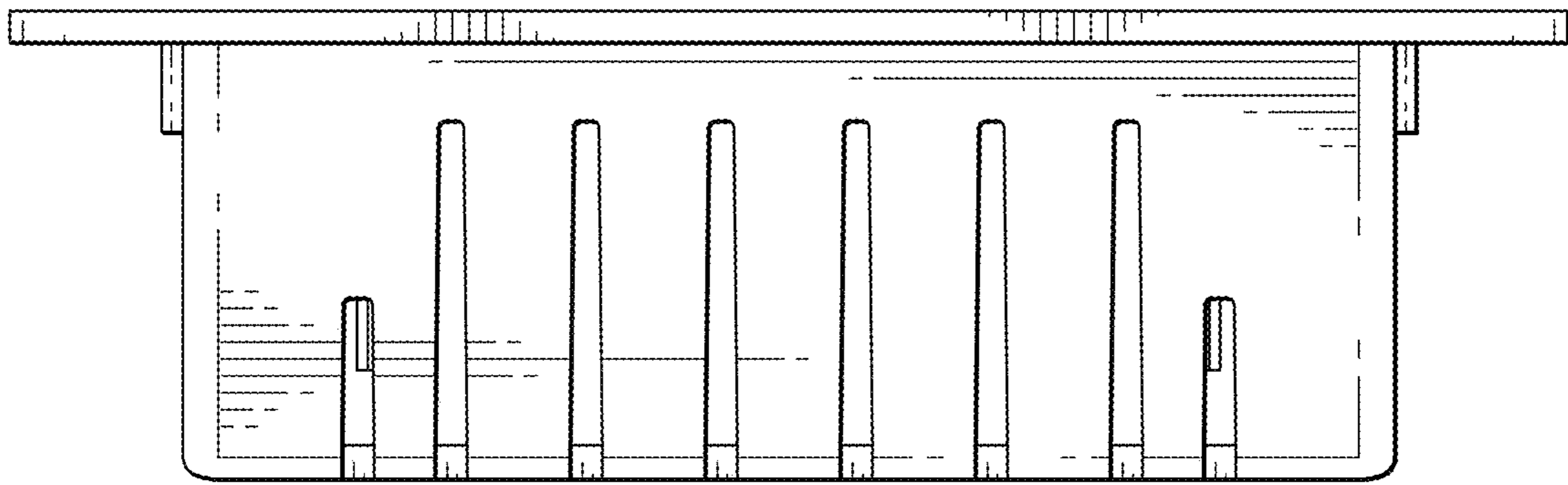


FIG. 3

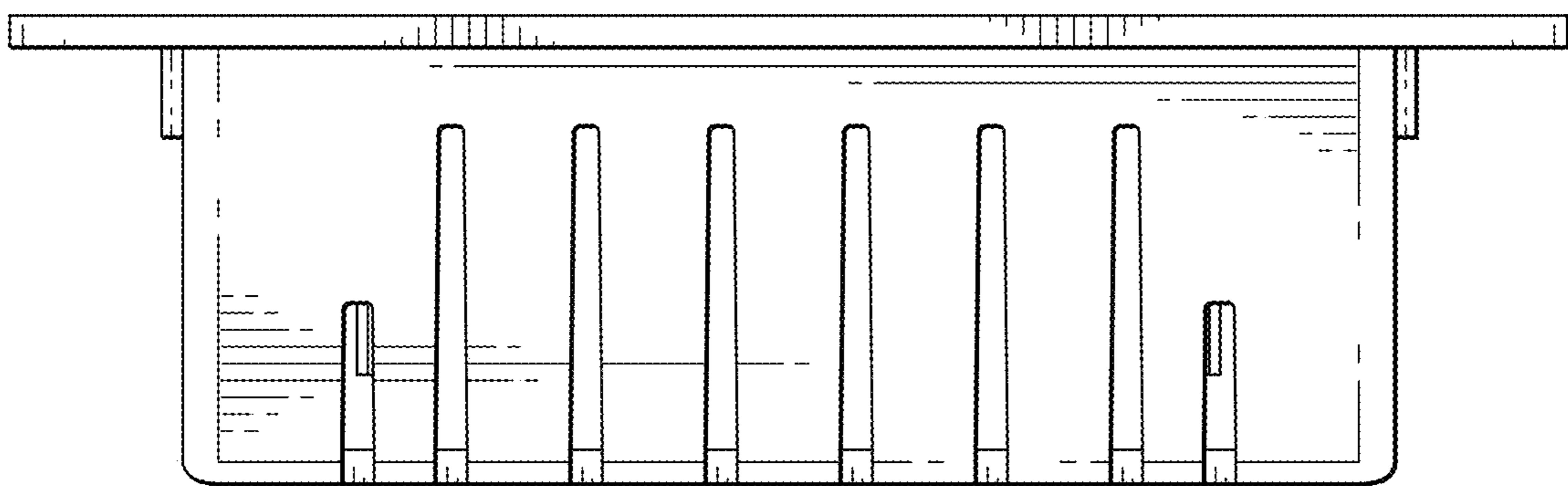


FIG. 4

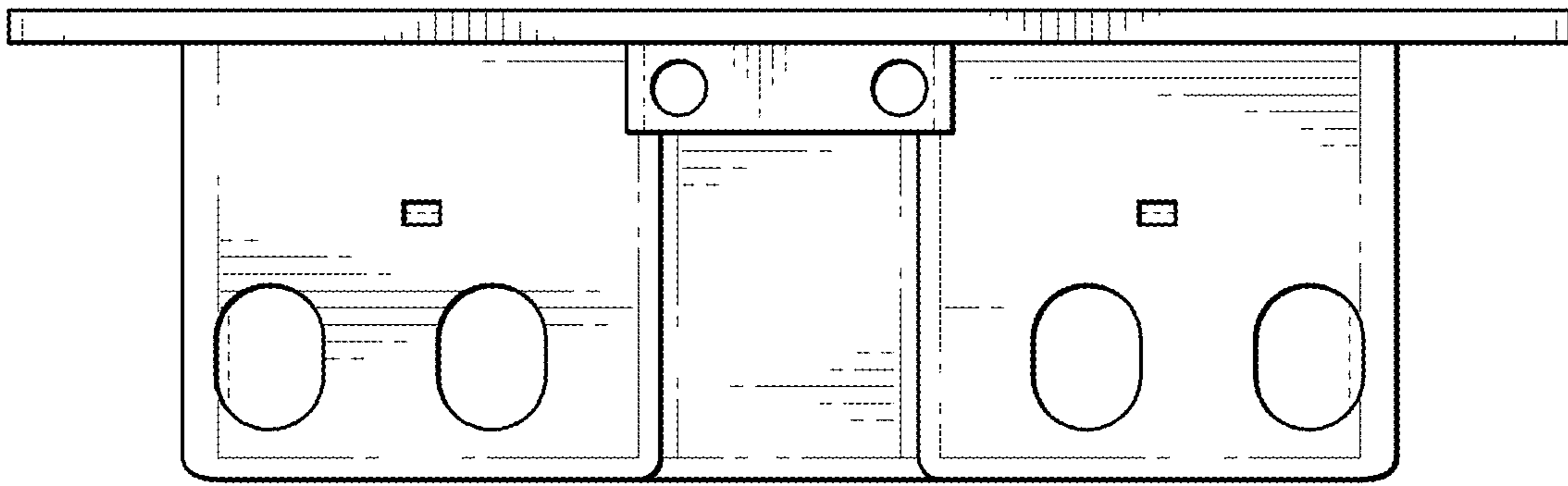


FIG. 5

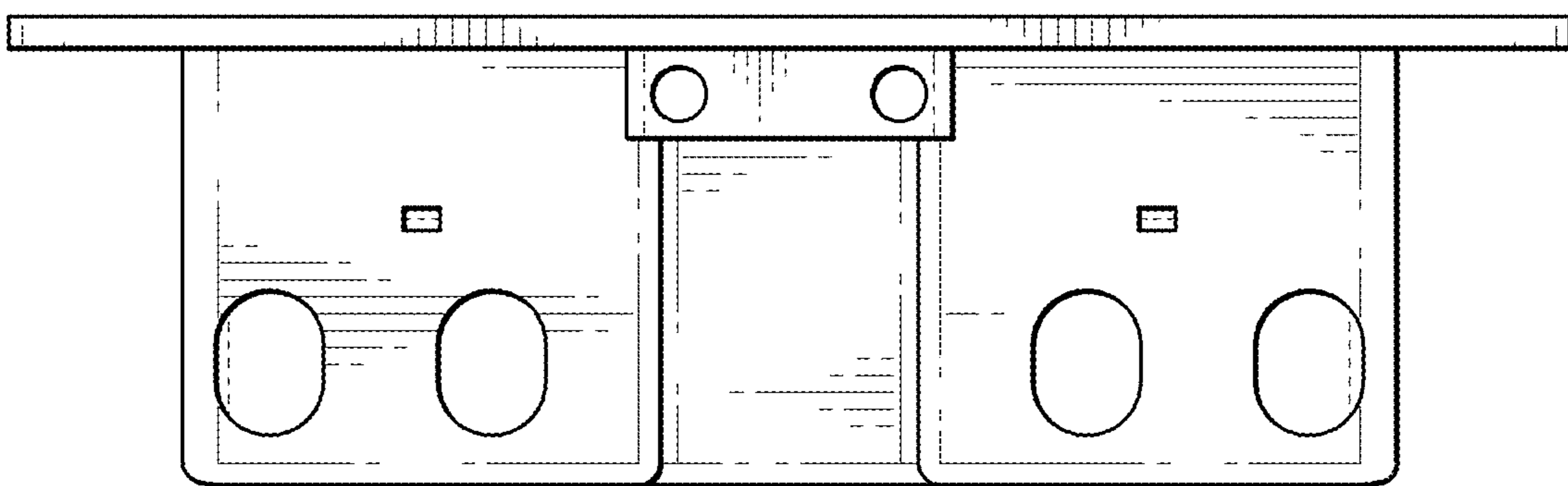


FIG. 6

FIG. 7

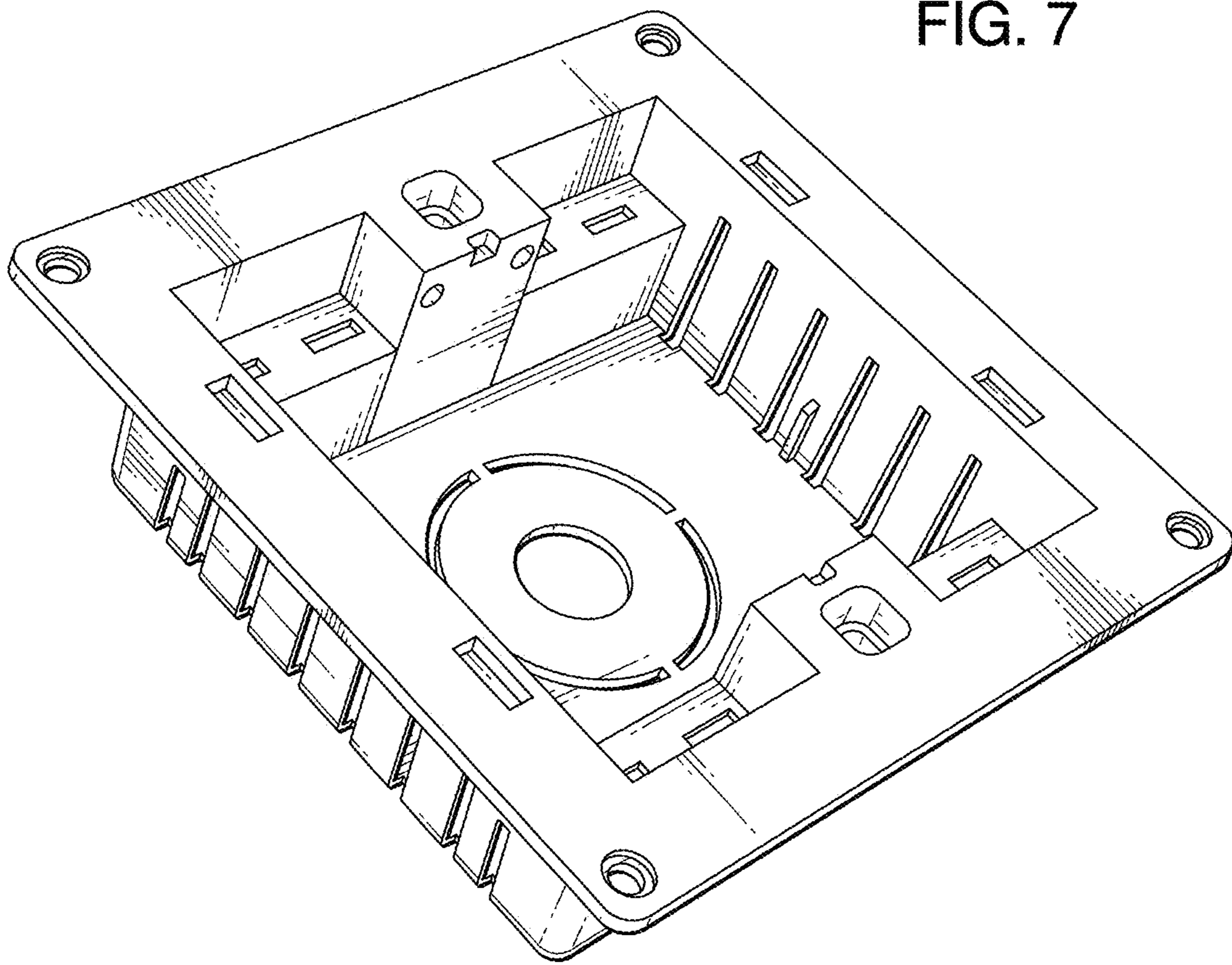


FIG. 8

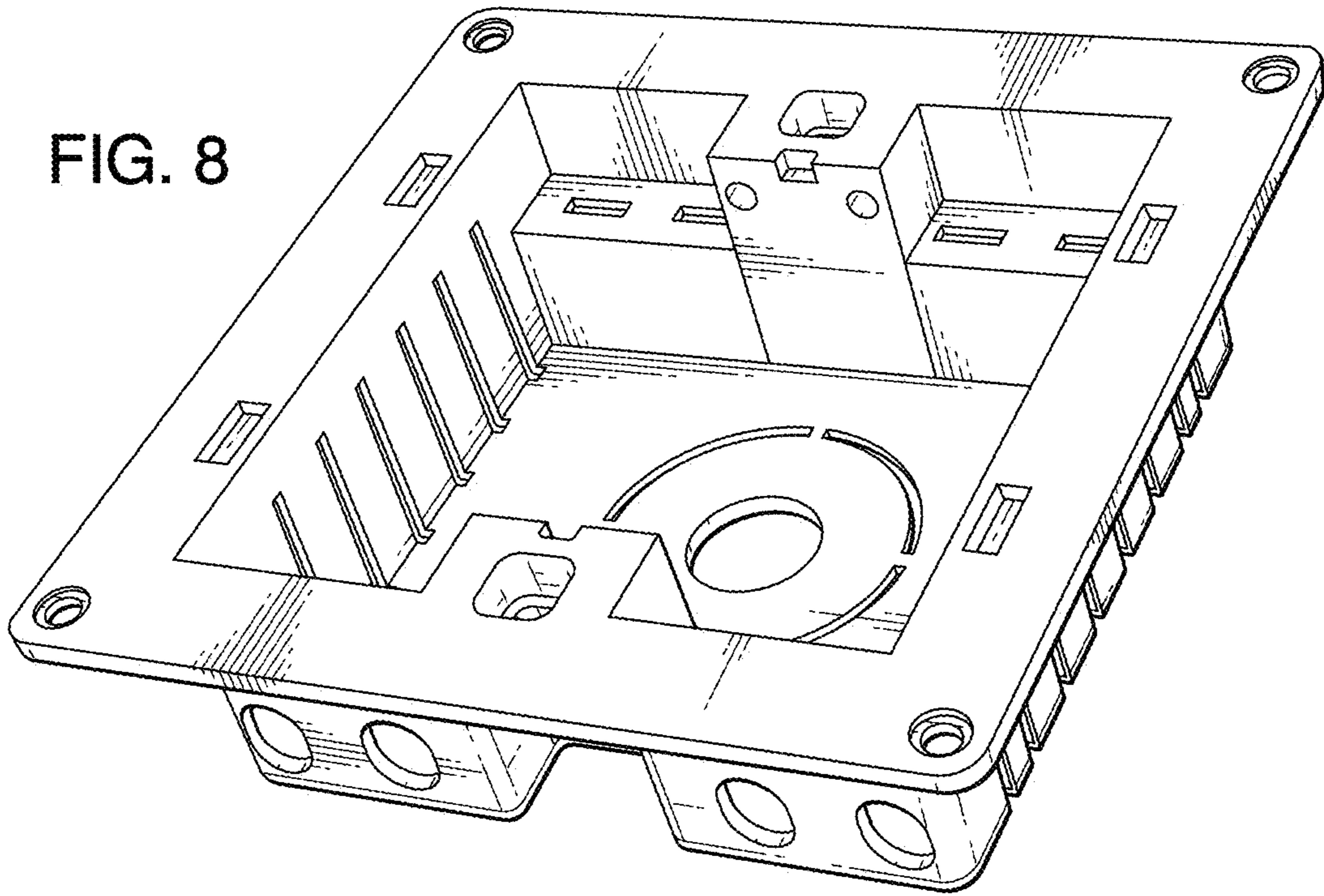


FIG. 9

