



US00D918843S

(12) **United States Design Patent** (10) **Patent No.:** **US D918,843 S**
Furukawa et al. (45) **Date of Patent:** **** May 11, 2021**

(54) **ELECTRIC CONNECTOR**
(71) Applicant: **Molex, LLC**, Lisle, IL (US)
(72) Inventors: **Jun Furukawa**, Yamoto (JP); **Satoru Teruki**, Yamoto (JP)
(73) Assignee: **Molex, LLC**, Lisle, IL (US)
(**) Term: **15 Years**
(21) Appl. No.: **29/689,018**
(22) Filed: **Apr. 26, 2019**
(51) **LOC (13) Cl.** **13-03**
(52) **U.S. Cl.**
USPC **D13/147**
(58) **Field of Classification Search**
USPC D13/103, 107, 108, 110, 112, 118, 120,
D13/123, 133, 137.1, 145-147, 149-156,
D13/158, 173, 177, 184, 199; D14/240,
D14/242, 432-435, 435.1, 436-438
CPC H01R 13/424; H01R 13/506; H01R 13/41;
H01R 13/502; H01R 12/91; H01R 12/73
See application file for complete search history.

D797,677 S * 9/2017 Ozeki D13/147
D810,694 S * 2/2018 Horino D13/147
D824,336 S * 7/2018 Yayoshi D13/147
D828,307 S * 9/2018 Ashibu D13/147
D866,477 S * 11/2019 Takenaga D13/147
D885,346 S * 5/2020 Ishida D13/147
D885,347 S * 5/2020 Ishida D13/147
10,673,159 B2 * 6/2020 Ishida H01R 12/721
2020/0044374 A1 * 2/2020 Ishida H01R 12/721
2020/0127400 A1 * 4/2020 Sasayama H01R 12/716
2020/0176930 A1 * 6/2020 Shioda H01R 24/60
2020/0227846 A1 * 7/2020 Lin H01R 12/57

OTHER PUBLICATIONS

Scondar. SCT1251 Series. No date specified. <https://www.sconnect.com/wire-to-board-connector/molex/1-25mm-picoblade-connectors/> (Year: 0).*

* cited by examiner

Primary Examiner — Darcey E Gottschalk

(57) **CLAIM**

The ornamental design for an electric connector, as shown and described.

DESCRIPTION

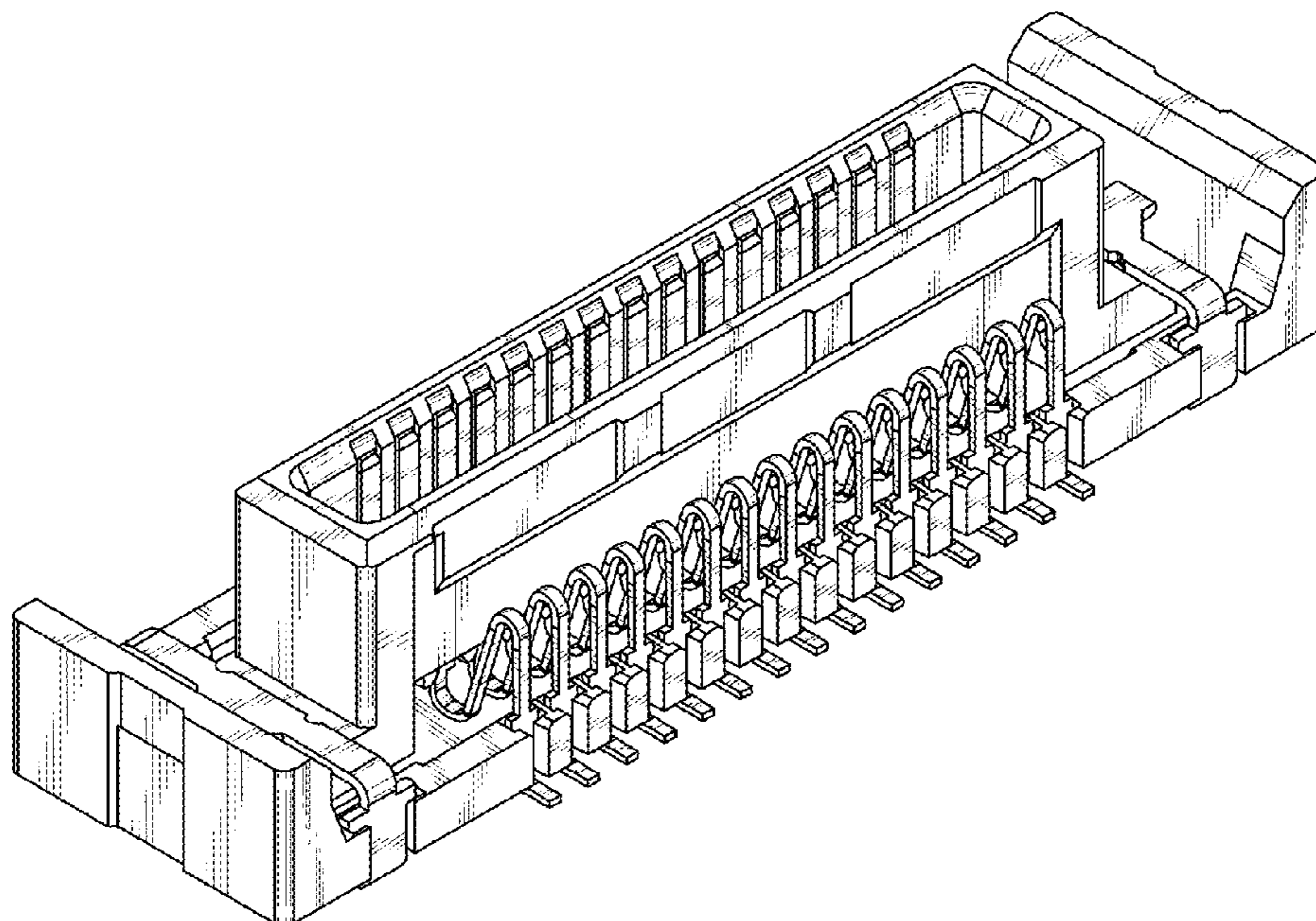
FIG. 1 is a perspective view of an electric connector showing my/our new design;
FIG. 2 is a front view thereof;
FIG. 3 is a rear view thereof;
FIG. 4 is a top view thereof;
FIG. 5 is a bottom view thereof;
FIG. 6 is a right-side view thereof; and,
FIG. 7 is a left-side view thereof.
The broken lines depict portions of the electric connector that form no part of the claim.

1 Claim, 2 Drawing Sheets

(56) **References Cited**

U.S. PATENT DOCUMENTS

D562,244 S * 2/2008 Peng D13/147
D562,770 S * 2/2008 Obikane D13/147
D598,861 S * 8/2009 Hoshino D13/147
D692,833 S * 11/2013 Nishimura D13/147
D695,691 S * 12/2013 Kobuchi D13/147
D721,040 S * 1/2015 Watanabe D13/147
D758,971 S * 6/2016 Arichika D13/147
D767,499 S * 9/2016 Goto D13/147
D774,463 S * 12/2016 Omodachi D13/147
D774,464 S * 12/2016 Takenaga D13/147
D793,342 S * 8/2017 Ashibu D13/147



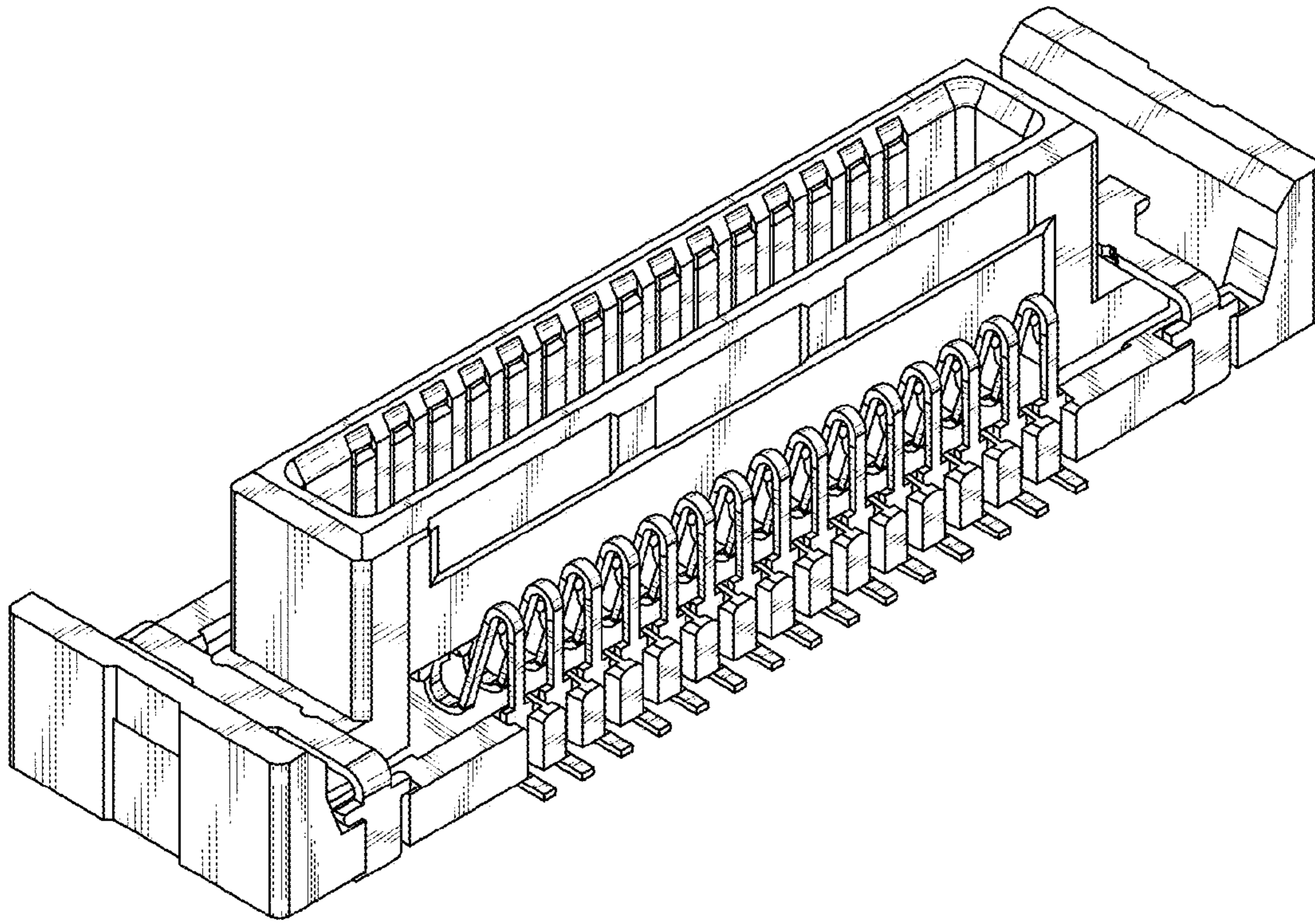


FIG. 1

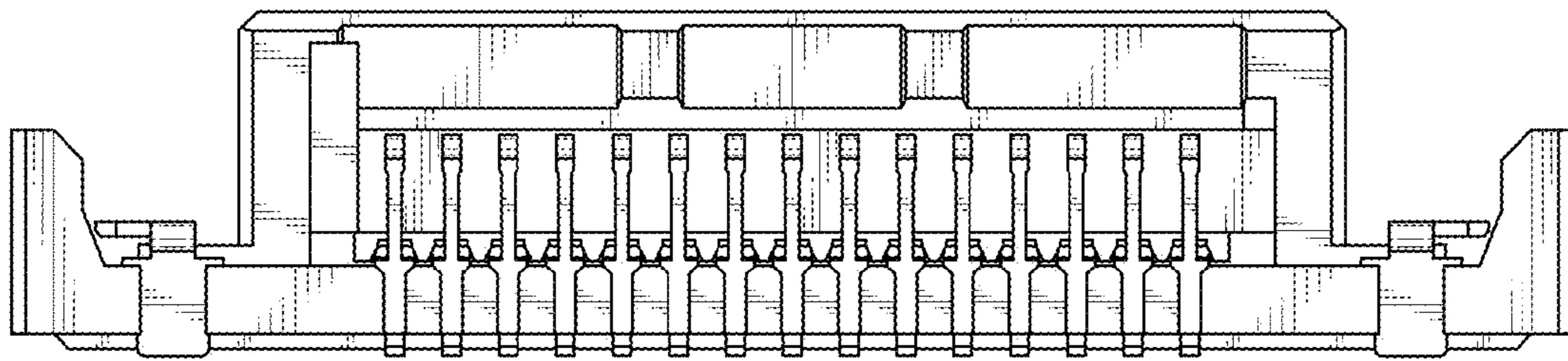


FIG. 2

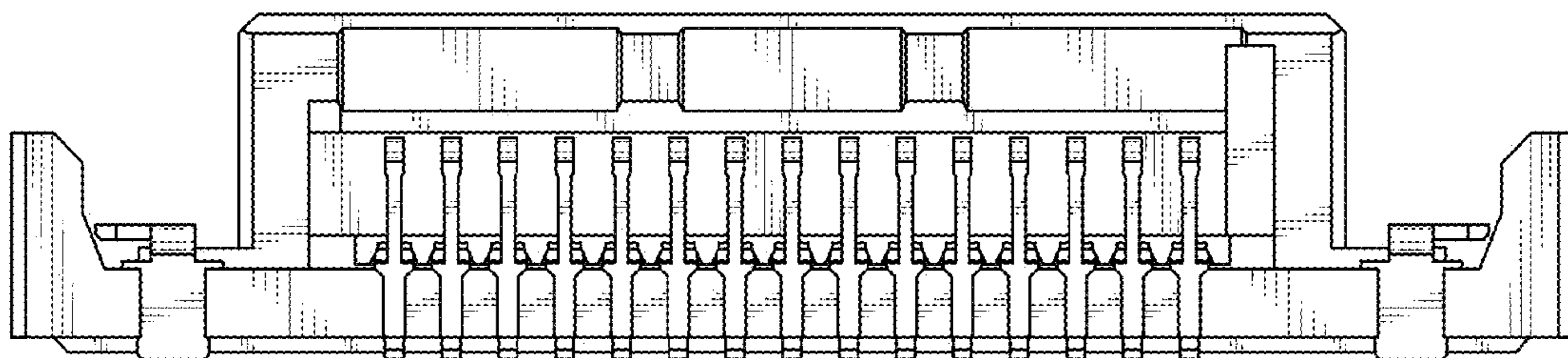


FIG. 3

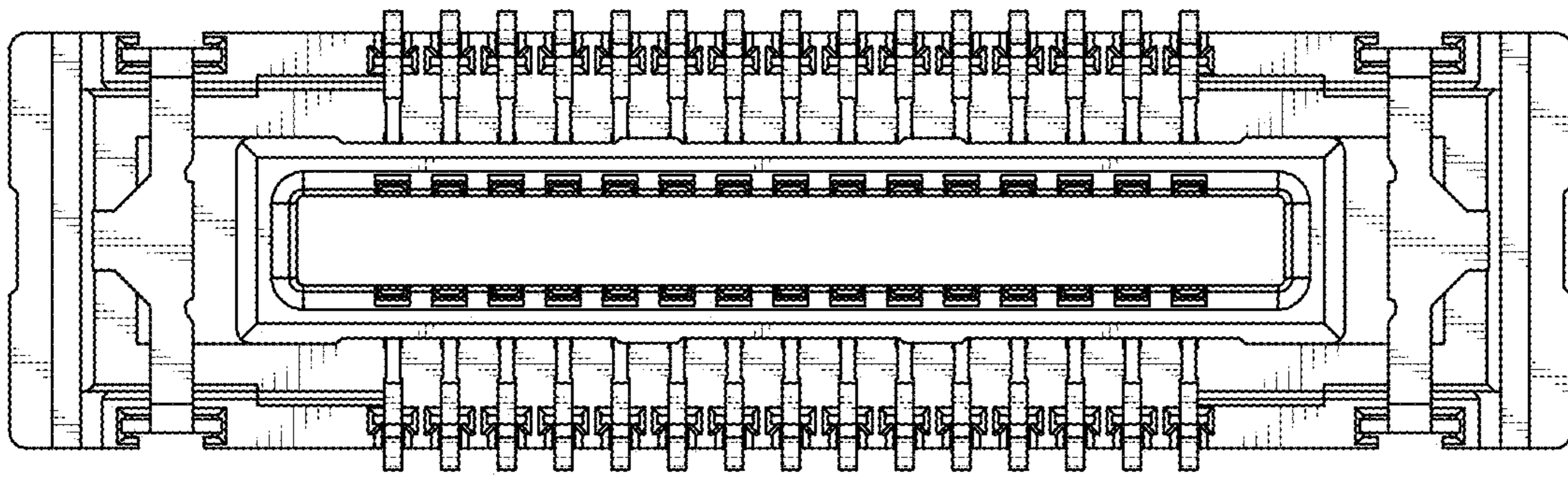


FIG. 4

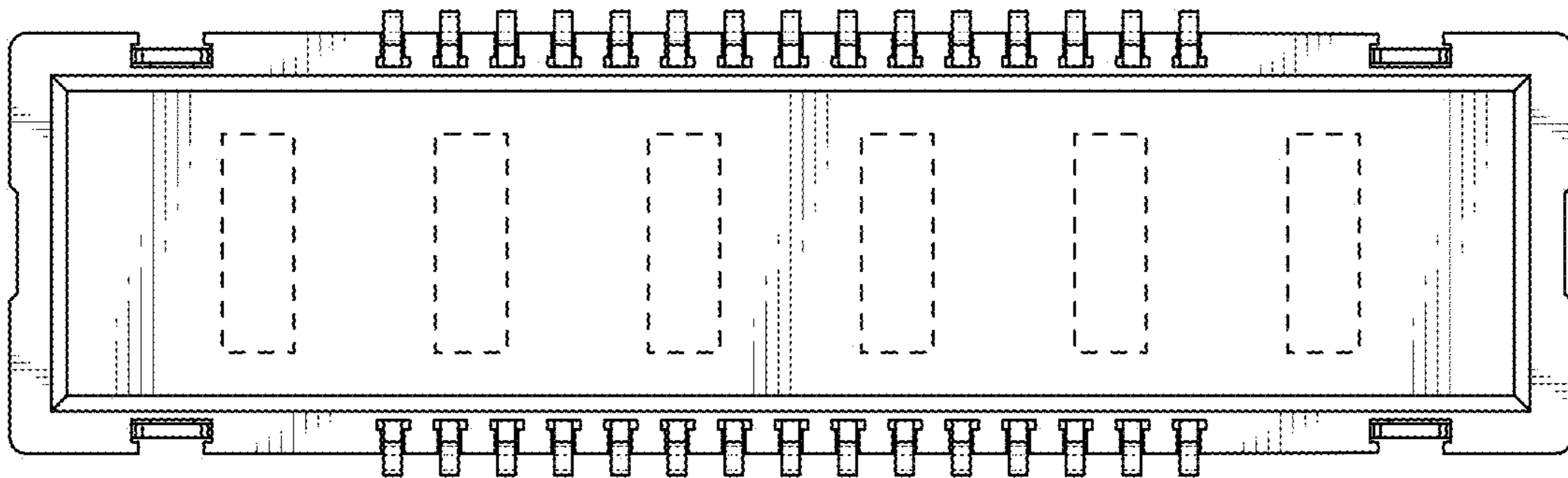


FIG. 5

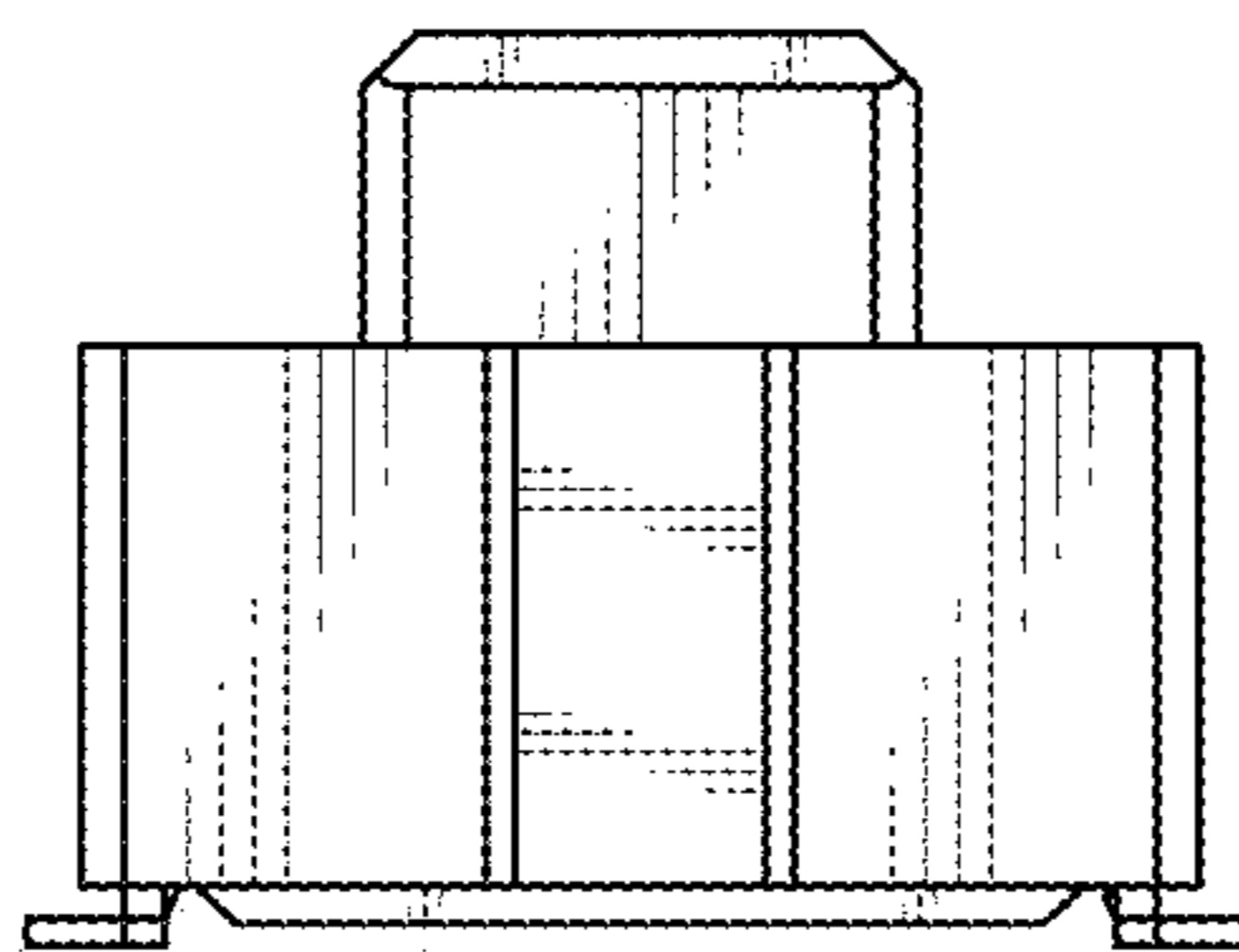


FIG. 6

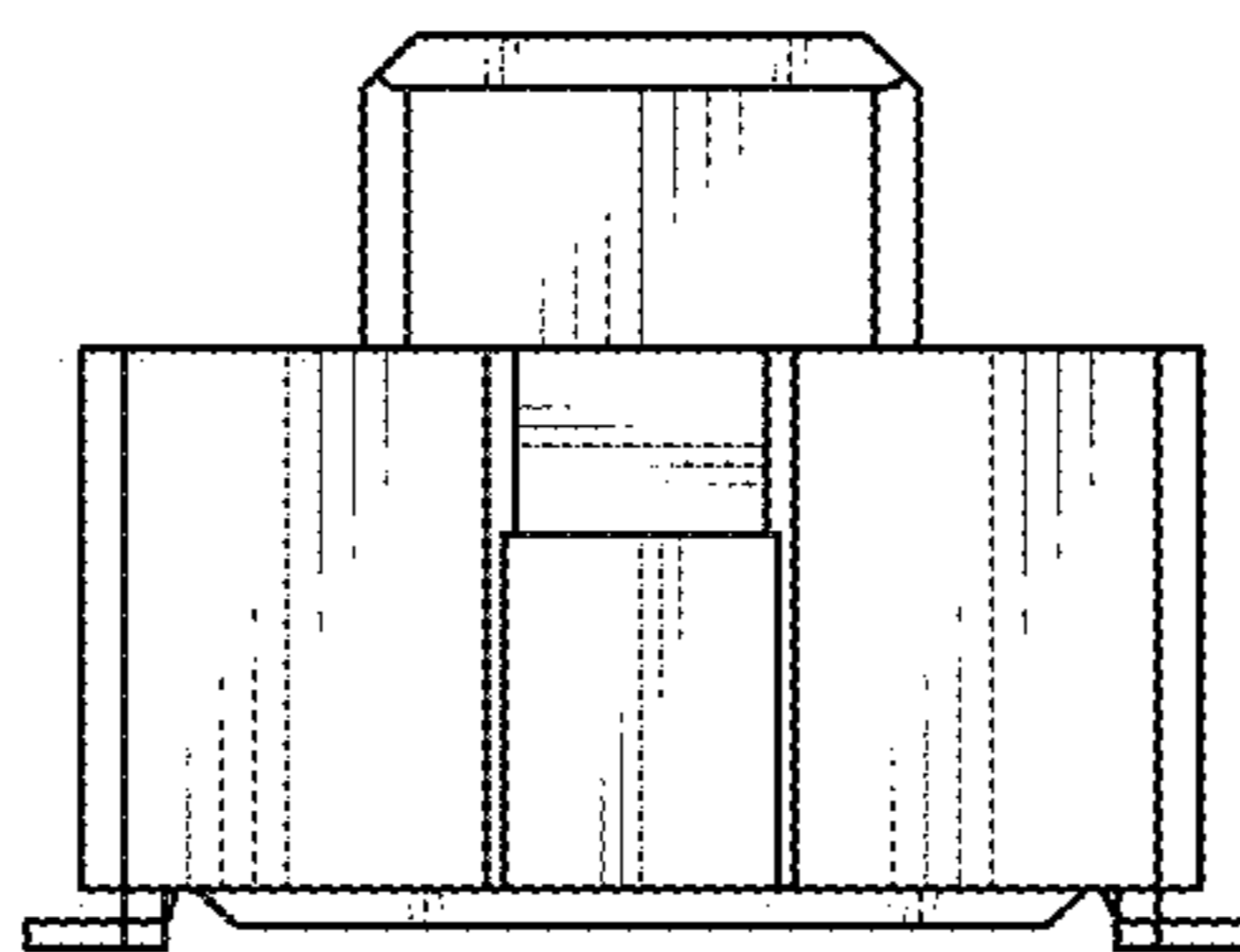


FIG. 7