



US00D918842S

(12) **United States Design Patent** (10) **Patent No.:** **US D918,842 S**  
**McKevitt et al.** (45) **Date of Patent:** **\*\* May 11, 2021**

(54) **CONNECTOR**

(71) Applicant: **Medline Industries, Inc.**, Northfield, IL (US)  
(72) Inventors: **Thomas McKevitt**, Oak Lawn, IL (US); **Erica Yuen**, Skokie, IL (US); **Tess Dinterman**, Palatine, IL (US)  
(73) Assignee: **Medline Industries, Inc.**, Northfield, IL (US)

7,766,043 B2 8/2010 Thomas et al.  
8,092,409 B2 \* 1/2012 Mros ..... A61M 39/12  
285/124.2  
8,256,459 B2 9/2012 Tesluk et al.  
8,257,286 B2 9/2012 Meyer et al.  
8,784,136 B2 \* 7/2014 Siahaan ..... H01R 13/6581  
439/607.41  
8,801,046 B2 8/2014 Shinoda  
9,161,877 B2 \* 10/2015 Mros ..... A61M 39/12  
D761,427 S \* 7/2016 Patterson ..... D24/140  
9,388,929 B2 7/2016 Lewis et al.  
(Continued)

(\*\*) Term: **15 Years**

(21) Appl. No.: **29/676,121**

(22) Filed: **Jan. 8, 2019**

**Related U.S. Application Data**

(63) Continuation of application No. 16/213,850, filed on Dec. 7, 2018.  
(51) **LOC (13) Cl.** ..... **13-03**  
(52) **U.S. Cl.**  
USPC ..... **D13/147**  
(58) **Field of Classification Search**  
USPC ..... D13/101, 107, 108, 110, 118, 120, 123,  
D13/133, 146, 147, 154, 184, 199;  
D14/155, 188, 217, 223, 240, 242, 357,  
D14/385, 432-438, 496  
CPC ..... H01R 13/50; H01R 9/2408  
See application file for complete search history.

(56) **References Cited**

**U.S. PATENT DOCUMENTS**

5,219,185 A \* 6/1993 Oddenino ..... F16L 37/088  
285/187  
6,062,244 A \* 5/2000 Arkans ..... A61H 9/0078  
137/1  
6,926,311 B2 \* 8/2005 Chang ..... F16L 21/06  
285/124.1  
7,490,620 B2 2/2009 Tesluk et al.

**OTHER PUBLICATIONS**

“Connectors—Pictures and Dimensions”, Intermittent and Sequential Connector Examples provided by Inventors; Used in Medline’s Hemo-Force Technology; Generation 1 and 2; Unknown Publication Date but prior to filing of present application.  
(Continued)

*Primary Examiner* — Darcey E Gottschalk  
(74) *Attorney, Agent, or Firm* — Philip H. Burrus, IV

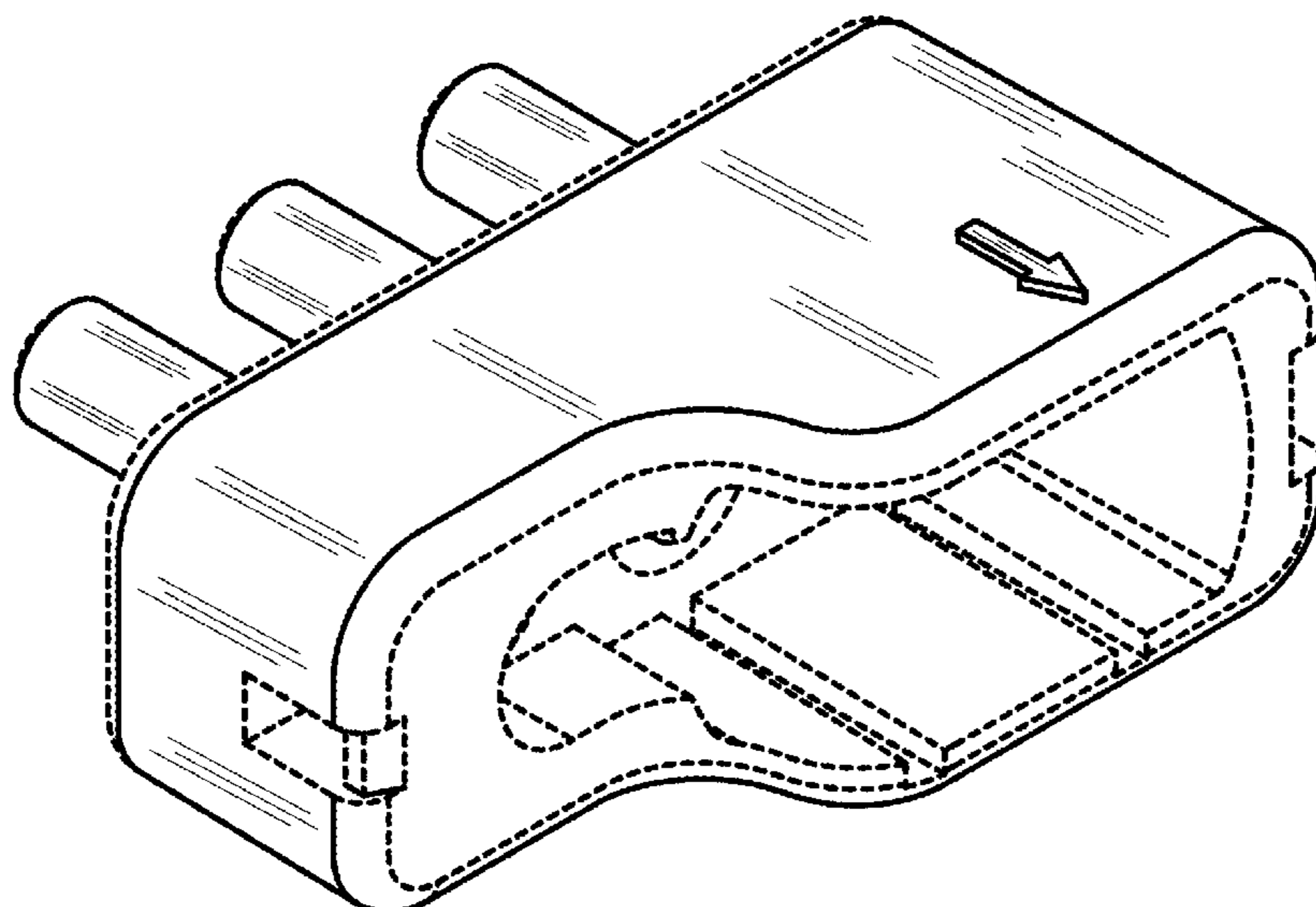
(57) **CLAIM**

The ornamental design for a connector, as shown and described.

**DESCRIPTION**

FIG. 1 is a first perspective view of a connector, showing our new design;  
FIG. 2 is a top plan view thereof;  
FIG. 3 is second perspective view thereof;  
FIG. 4 is a left elevation view thereof;  
FIG. 5 is a rear elevation view thereof;  
FIG. 6 is a right elevation view thereof;  
FIG. 7 is a front elevation view thereof; and,  
FIG. 8 is a bottom plan view thereof.  
The broken lines show portions of a connector that form no part of the claim.

**1 Claim, 8 Drawing Sheets**



(56)

**References Cited**

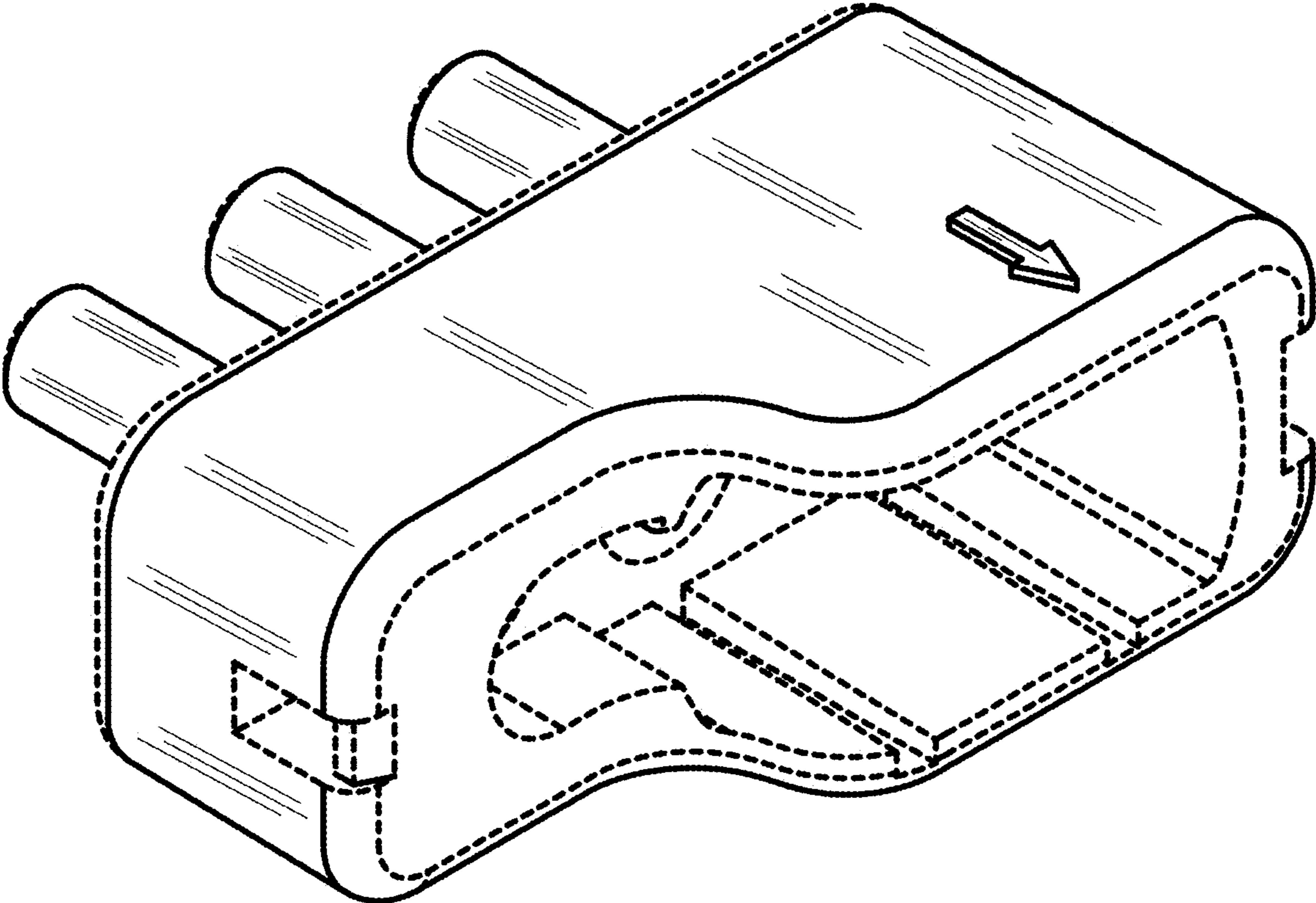
U.S. PATENT DOCUMENTS

9,687,249 B2 6/2017 Hanlon et al.  
9,713,563 B2 7/2017 Mansur, Jr. et al.  
D865,662 S \* 11/2019 Ito ..... D13/107  
10,476,189 B2 \* 11/2019 Tsubaki ..... H01R 12/774  
10,490,932 B1 \* 11/2019 Schneider ..... H01R 13/582  
D877,080 S \* 3/2020 Tabata ..... D13/133  
2012/0109030 A1 5/2012 Mros et al.

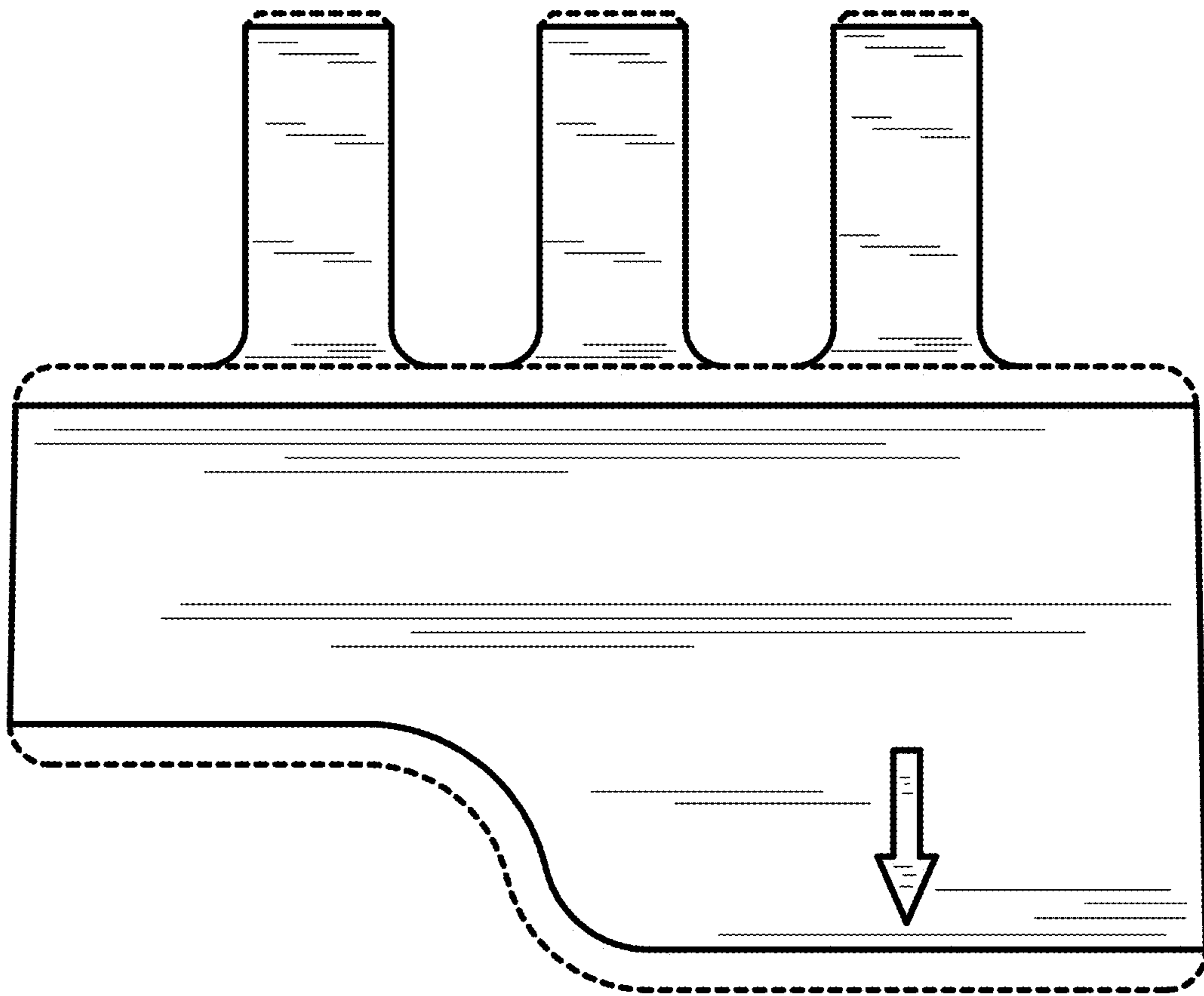
OTHER PUBLICATIONS

Nguyen, Khiem M., "NonFinal Office Action", U.S. Appl. No. 16/213,850, filed Dec. 7, 2018; dated Aug. 6, 2020.

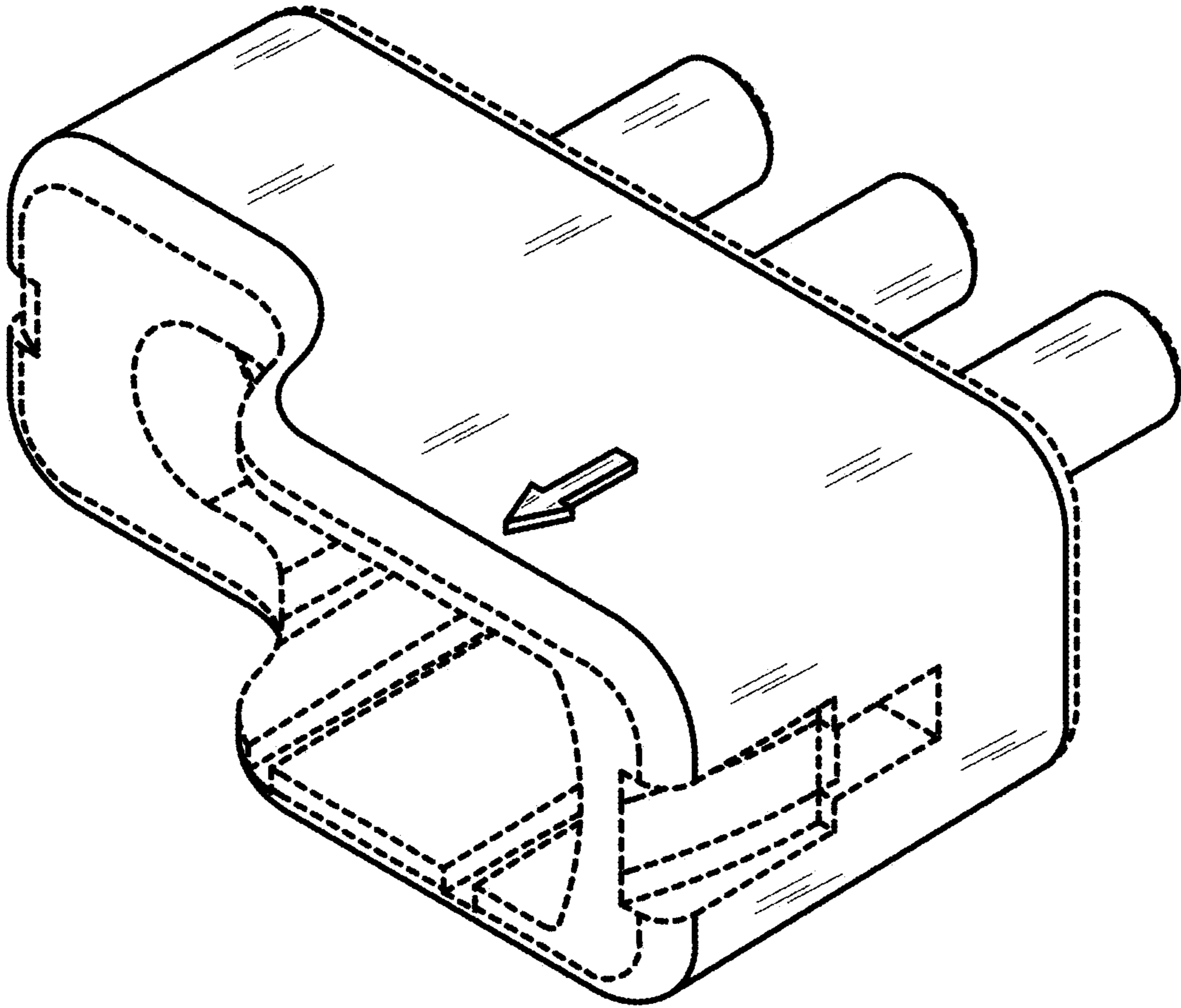
\* cited by examiner



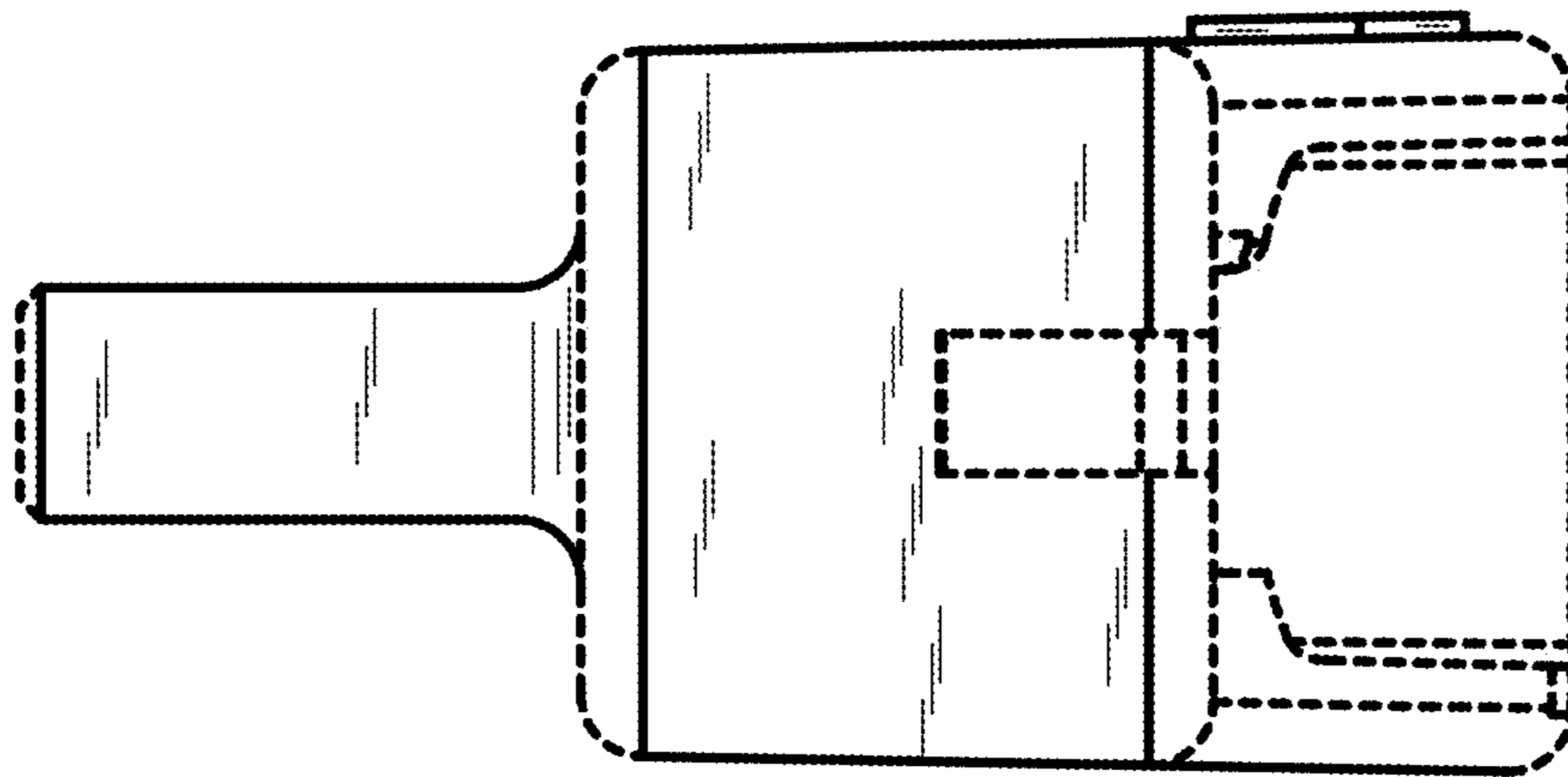
**FIG. 1**



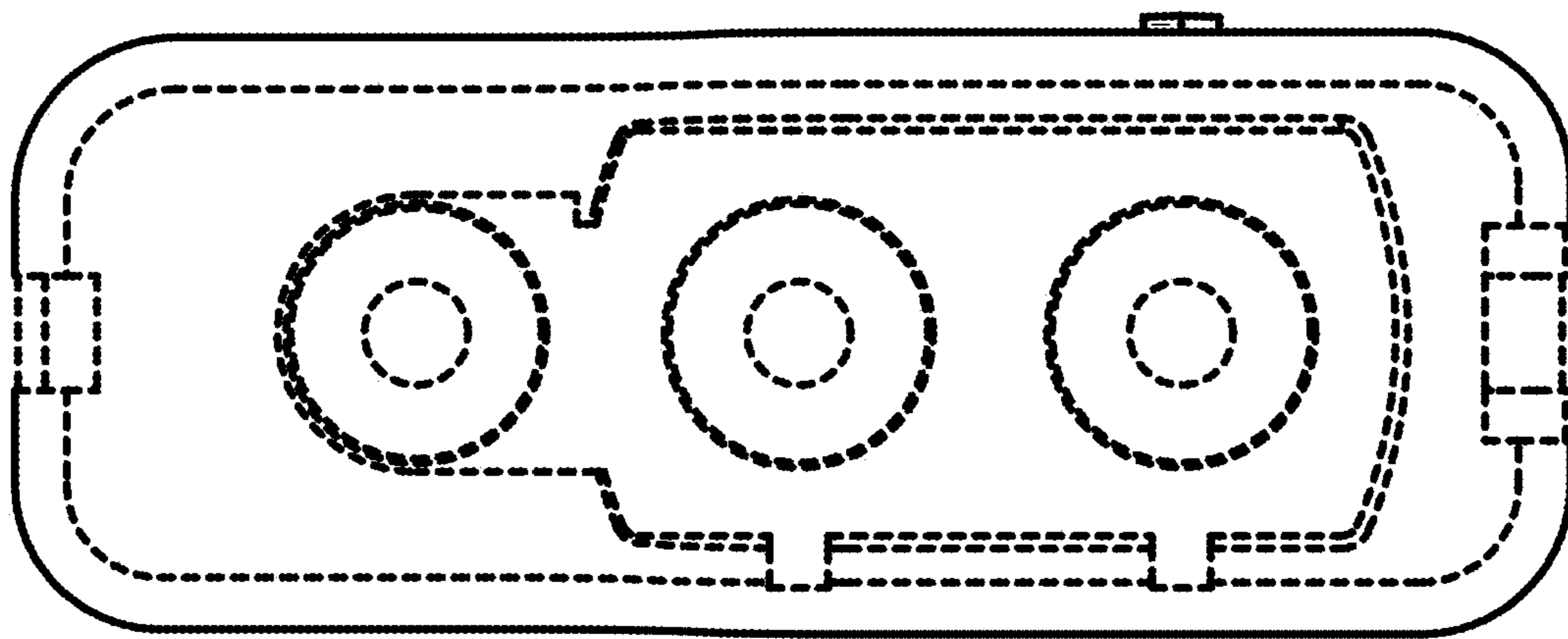
**FIG. 2**



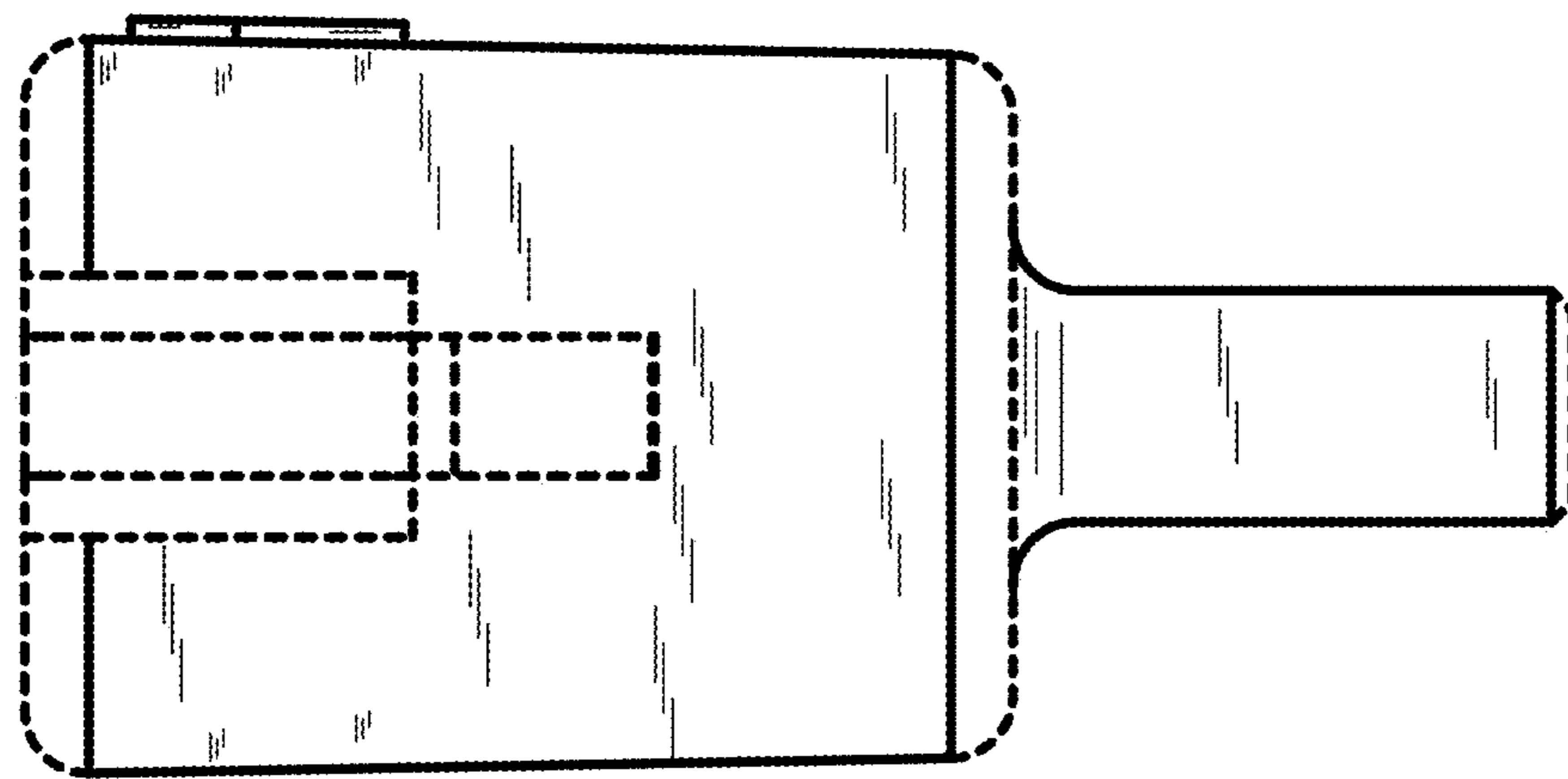
**FIG. 3**



***FIG. 4***

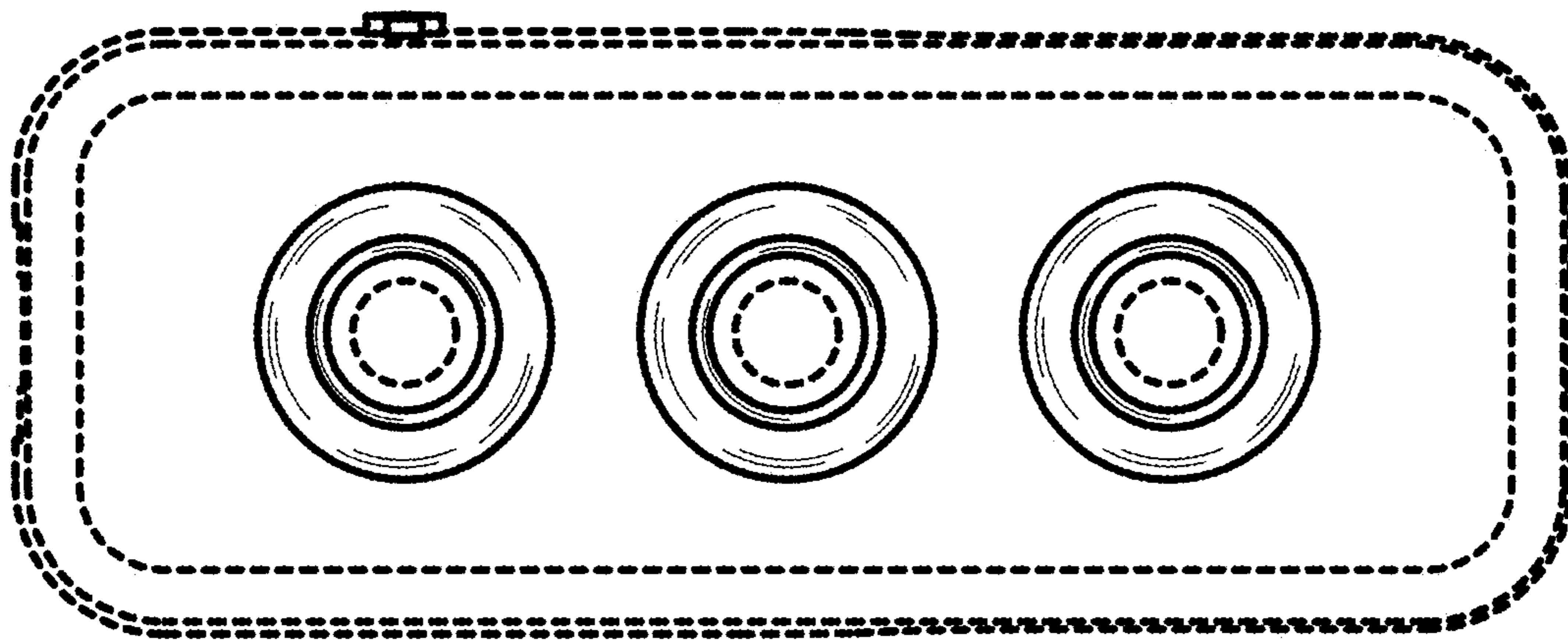


***FIG. 5***

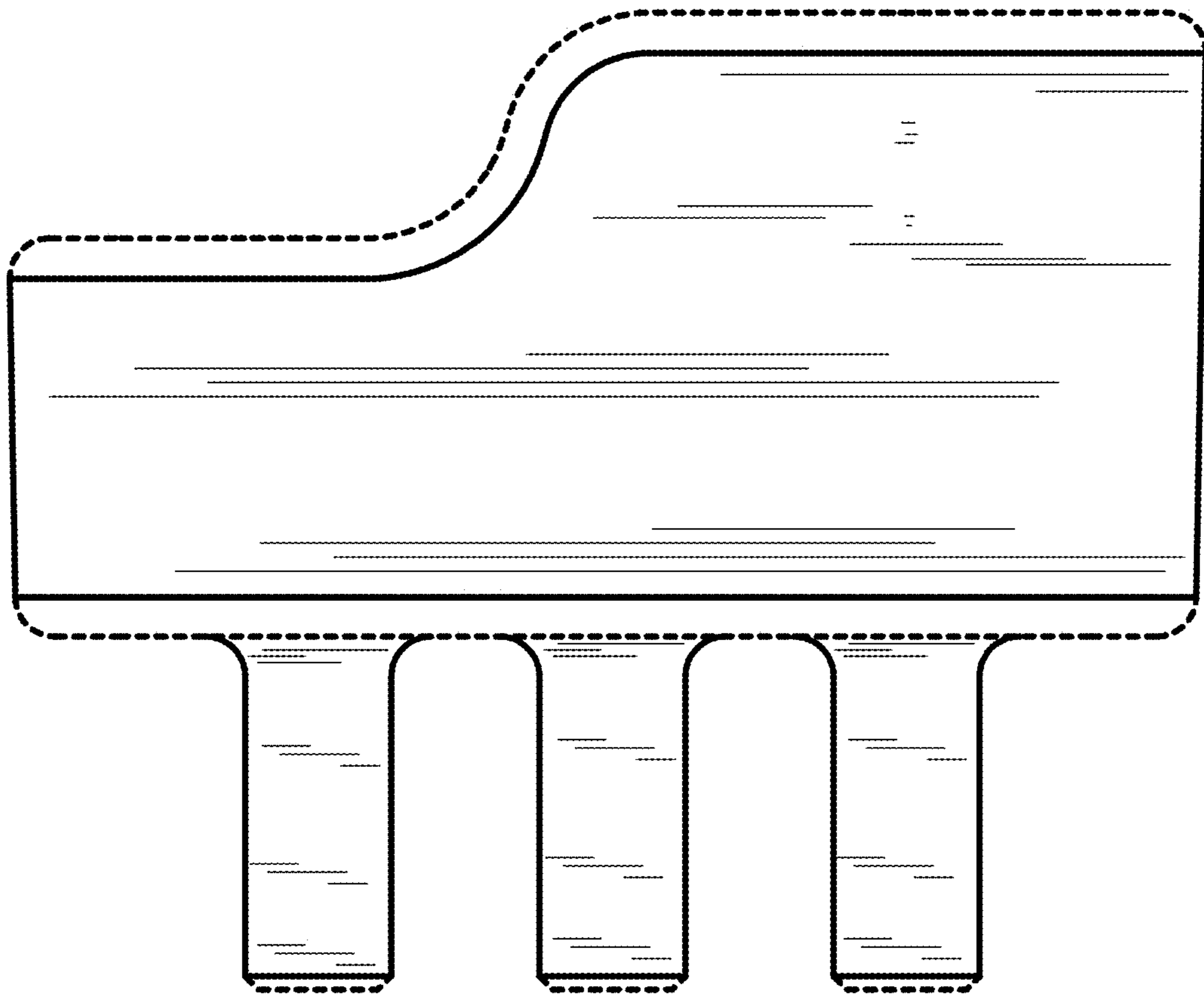


***FIG. 6***





***FIG. 7***



***FIG. 8***