



US00D918841S

(12) **United States Design Patent** (10) **Patent No.:** **US D918,841 S**
Ackerman (45) **Date of Patent:** **** May 11, 2021**

(54) **ELECTRICAL POWER EXTENSION**

DESCRIPTION

(71) Applicant: **Lifeworks Technology Group, LLC**,
New York, NY (US)
(72) Inventor: **Omer Ackerman**, New York, NY (US)
(73) Assignee: **Lifeworks Technology Group LLC**,
New York, NY (US)
(**) Term: **15 Years**
(21) Appl. No.: **29/640,736**
(22) Filed: **Mar. 16, 2018**
(51) **LOC (13) Cl.** **13-03**
(52) **U.S. Cl.**
USPC **D13/137.2**
(58) **Field of Classification Search**
USPC ... D13/137.1-137.2, 139.1-139.8, 108, 156,
D13/110, 152; D14/240, 358, 434;
D26/26; D23/366
CPC H01R 13/46; H01R 13/72; H02J 7/007
See application file for complete search history.

FIG. 1 is a front, right, top perspective view of a first embodiment of the electrical power extension showing environment;
FIG. 2 is an enlarged front, right, top perspective view thereof;
FIG. 3 is a rear, left, bottom perspective view thereof;
FIG. 4 is a front elevation view thereof;
FIG. 5 is a rear elevation view thereof;
FIG. 6 is a right-side elevation view thereof;
FIG. 7 is a left-side elevation view thereof;
FIG. 8 is a top plan view thereof;
FIG. 9 is a bottom plan view thereof.
FIG. 10 is a front, right, top perspective view of a second embodiment of the electrical power extension showing environment;
FIG. 11 is an enlarged front, right, top perspective view thereof;
FIG. 12 is a rear, left, bottom perspective view thereof;
FIG. 13 is a front elevation view thereof;
FIG. 14 is a rear elevation view thereof;
FIG. 15 is a right side elevation view thereof;
FIG. 16 is a left side elevation view thereof;
FIG. 17 is a top plan view thereof; and,
FIG. 18 is a bottom plan view thereof.

The electrical power extension is shown with a symbolic break in its height. The appearance of any portion of the article between the break lines forms no part of the claimed design.
In FIGS. 1 and 10, the dash-dot-dash broken lines are for the purpose of illustrating environment only and form no part of the claimed design. Throughout the drawings, the dash-dash broken lines are for the purpose of illustrating portions of the electrical power extension that form no part of the claimed design.

(56) **References Cited**

U.S. PATENT DOCUMENTS

D493,875 S *	8/2004	Groene	D23/366
D595,704 S *	7/2009	DiClemente	D14/240
D619,276 S *	7/2010	Choi	D26/26
D636,728 S *	4/2011	Terleski	D13/139.4
D694,706 S *	12/2013	Kuo	D13/108
D695,693 S *	12/2013	Lee	D13/152
D698,728 S *	2/2014	Chen	D13/137.2
D700,579 S *	3/2014	Mobbs	D13/137.1
8,686,683 B2 *	4/2014	Caskey	H02J 7/007 320/107

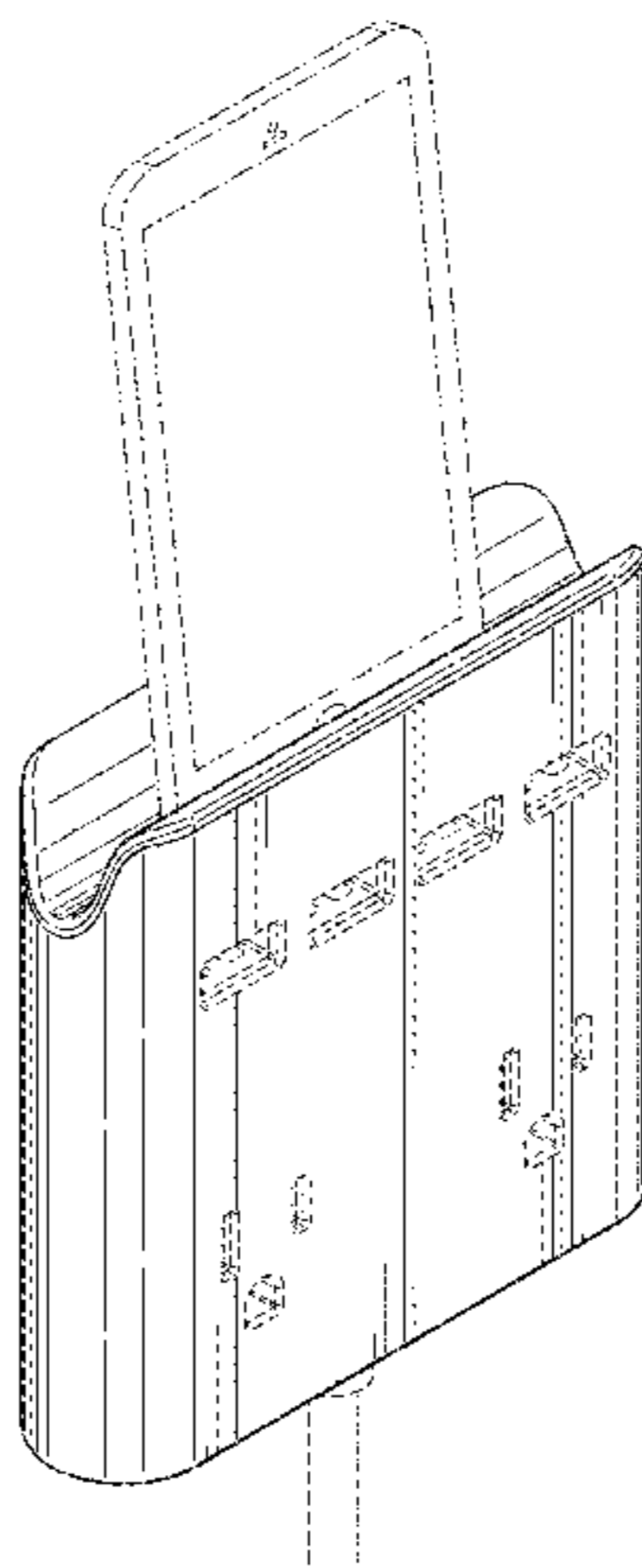
(Continued)

Primary Examiner — Rhea Shields
(74) *Attorney, Agent, or Firm* — Wood Herron & Evans
LLP

(57) **CLAIM**

The ornamental design for an electrical power extension, as shown and described.

1 Claim, 14 Drawing Sheets



(56)

References Cited

U.S. PATENT DOCUMENTS

D731,430 S * 6/2015 Segnit D13/137.2
 D775,078 S * 12/2016 Peng D13/137.2
 D790,463 S * 6/2017 Lai D13/110
 D801,935 S * 11/2017 Herr D13/137.2
 D807,539 S * 1/2018 Li D26/26
 D807,831 S * 1/2018 Xu D13/139.8
 D808,906 S * 1/2018 Tinaphong D13/137.2
 D826,158 S * 8/2018 Riner D13/137.2
 D826,159 S * 8/2018 Tao D13/137.2
 D835,588 S * 12/2018 Haghjoo D13/156
 D839,828 S * 2/2019 Byrne D13/139.4
 D858,449 S * 9/2019 Zhu D13/139.1
 10,461,468 B2 * 10/2019 Okamoto H01R 13/46
 D871,343 S * 12/2019 Yu D13/139.8
 D871,344 S * 12/2019 Lyu D13/139.8
 D872,078 S * 1/2020 Wu D14/358
 D872,695 S * 1/2020 Bo D13/137.2
 D877,067 S * 3/2020 Gill D13/108
 D878,298 S * 3/2020 Pan D13/139.3
 10,581,209 B2 * 3/2020 Byrne H01R 13/72
 D881,809 S * 4/2020 Lyu D13/108
 D883,294 S * 5/2020 Xie D14/434

* cited by examiner

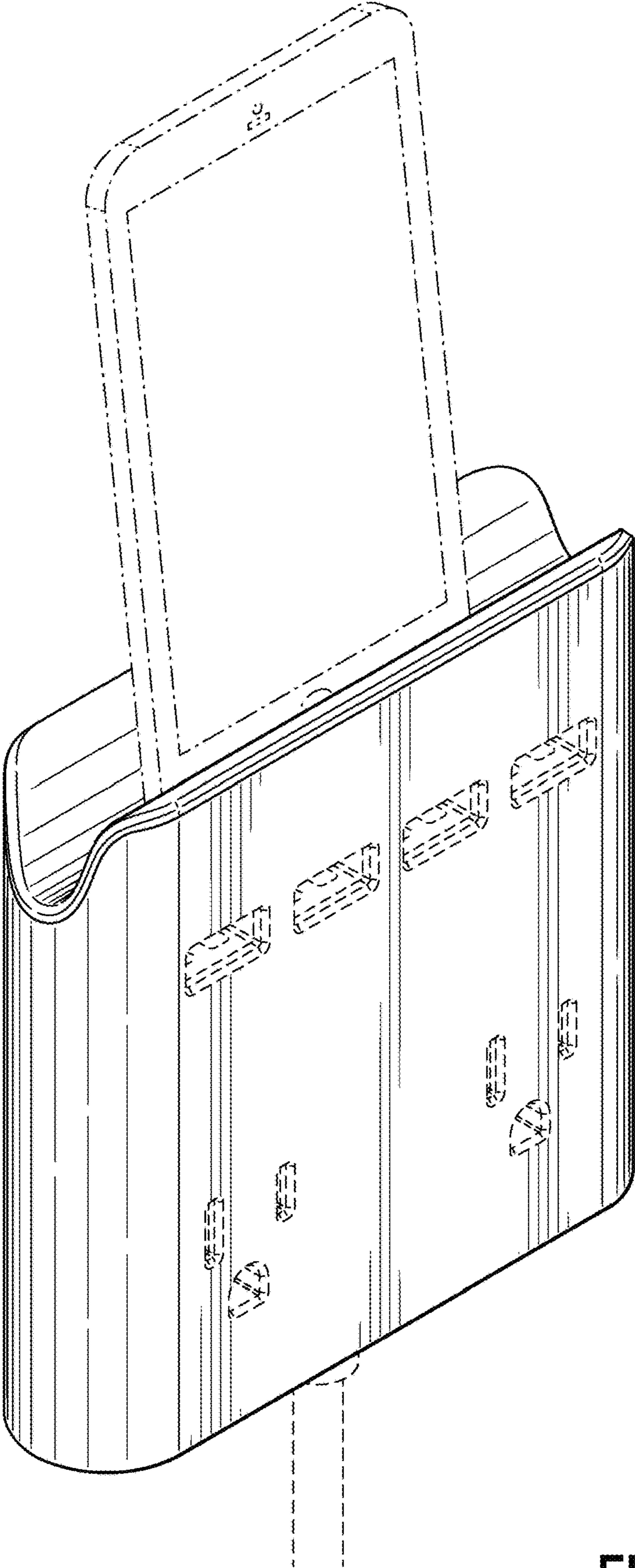


FIG. 1

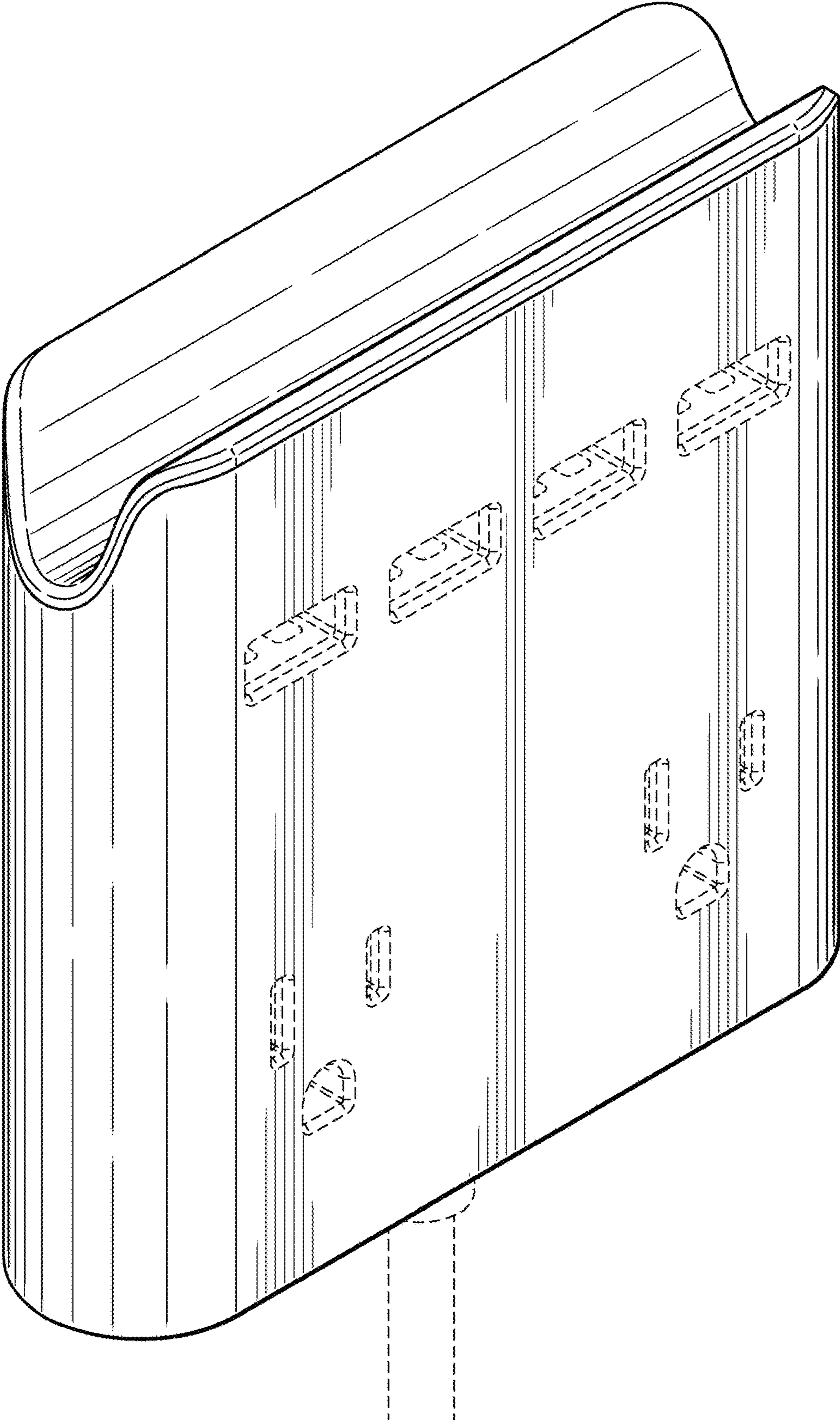


FIG. 2

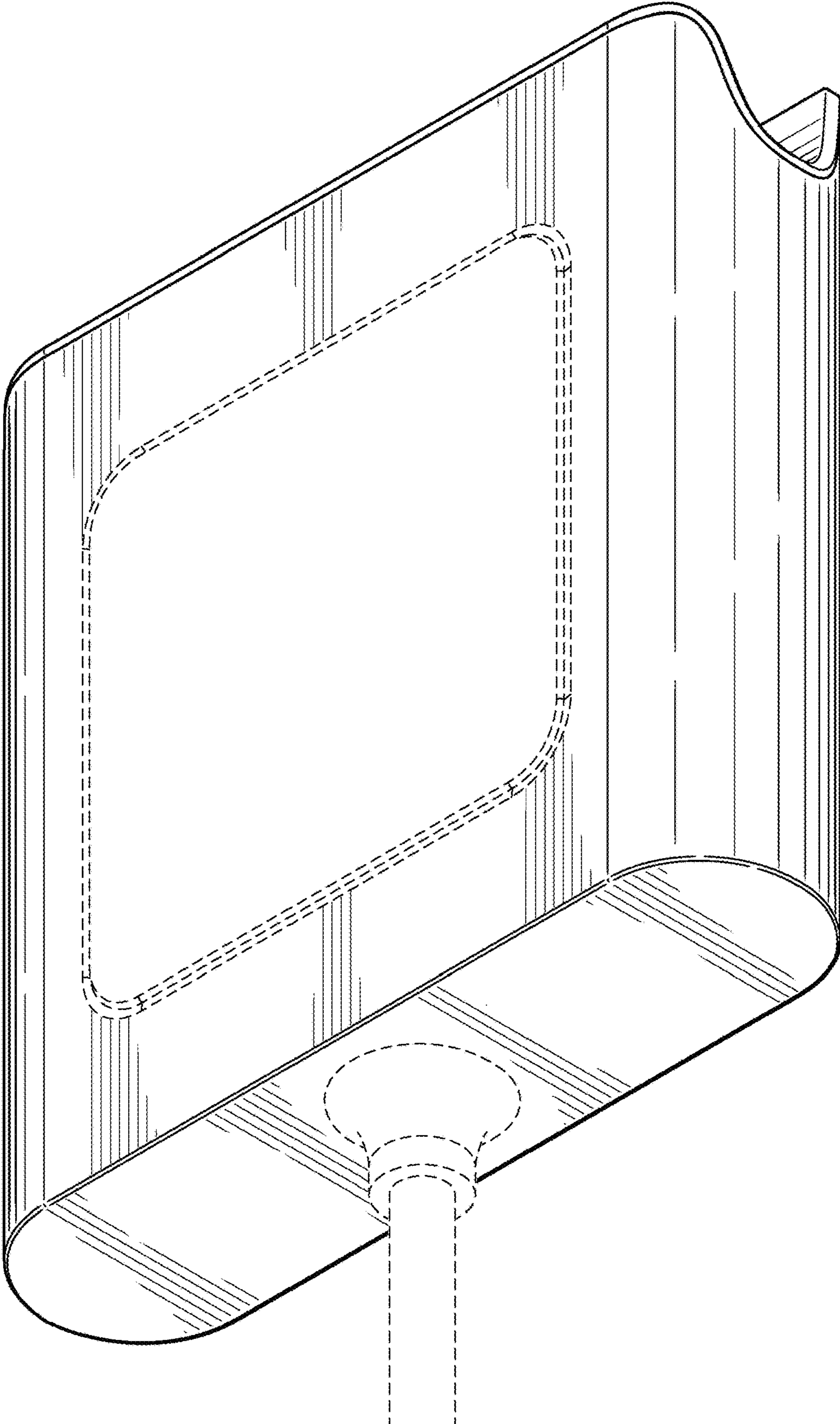


FIG. 3

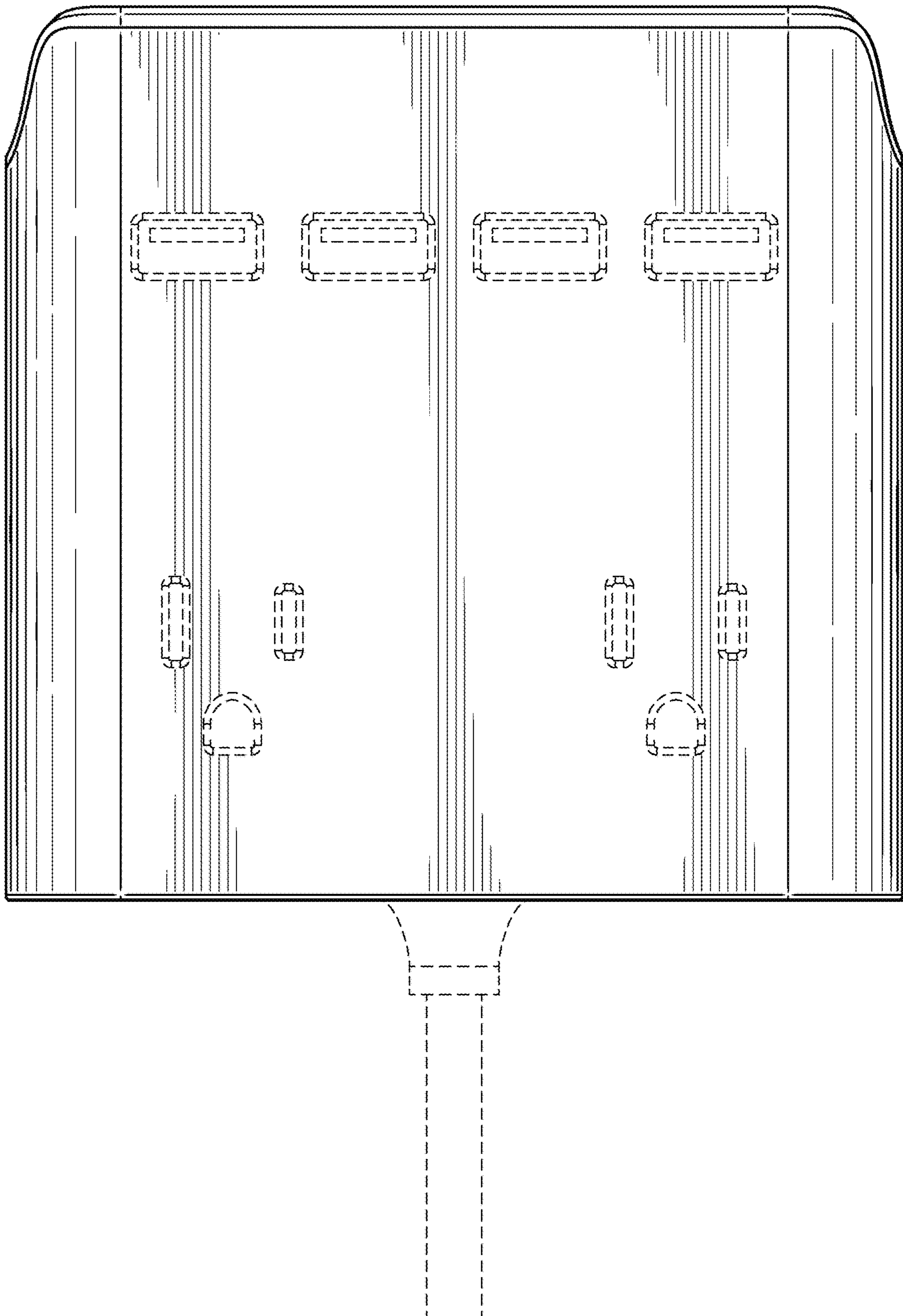


FIG. 4

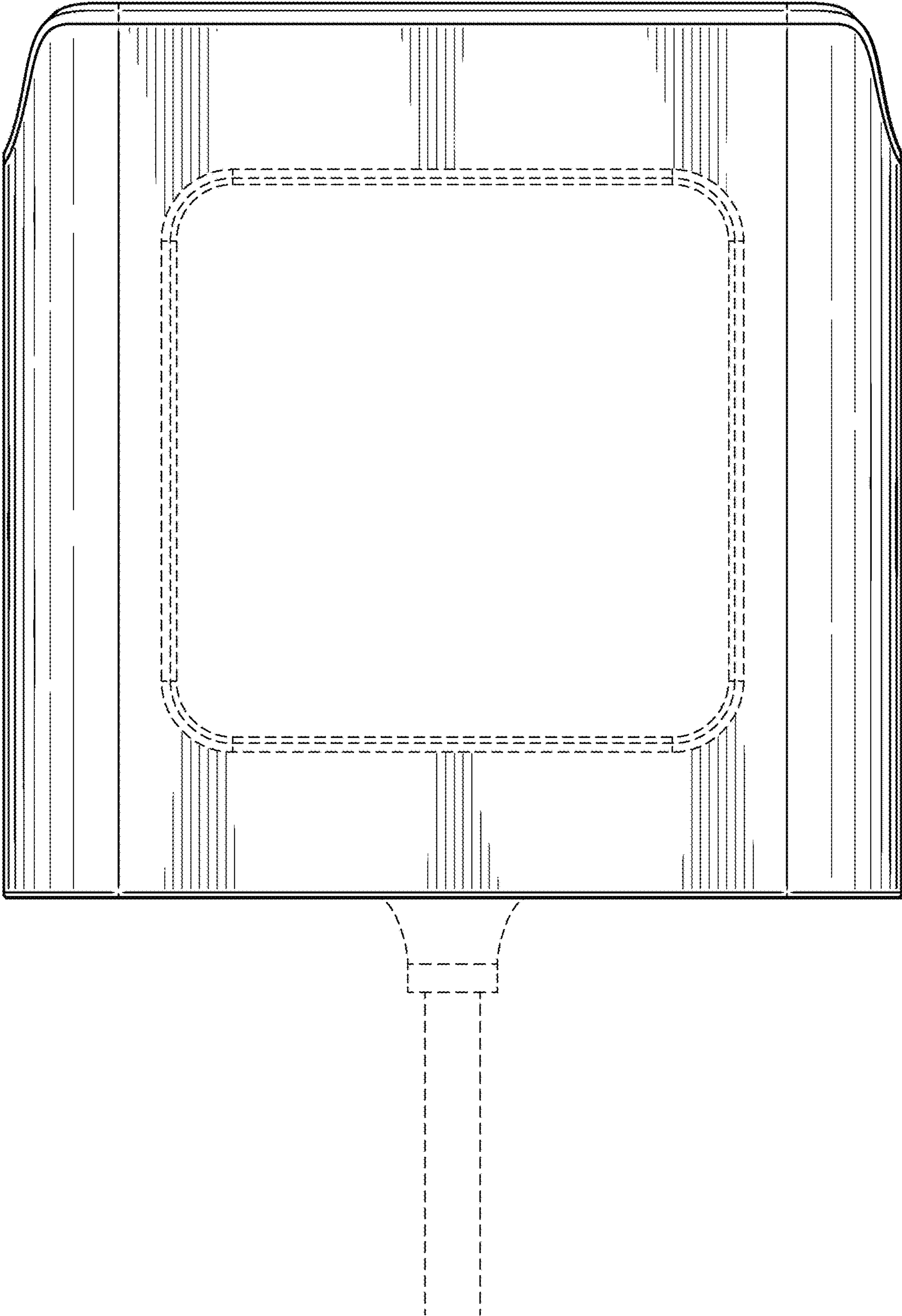


FIG. 5

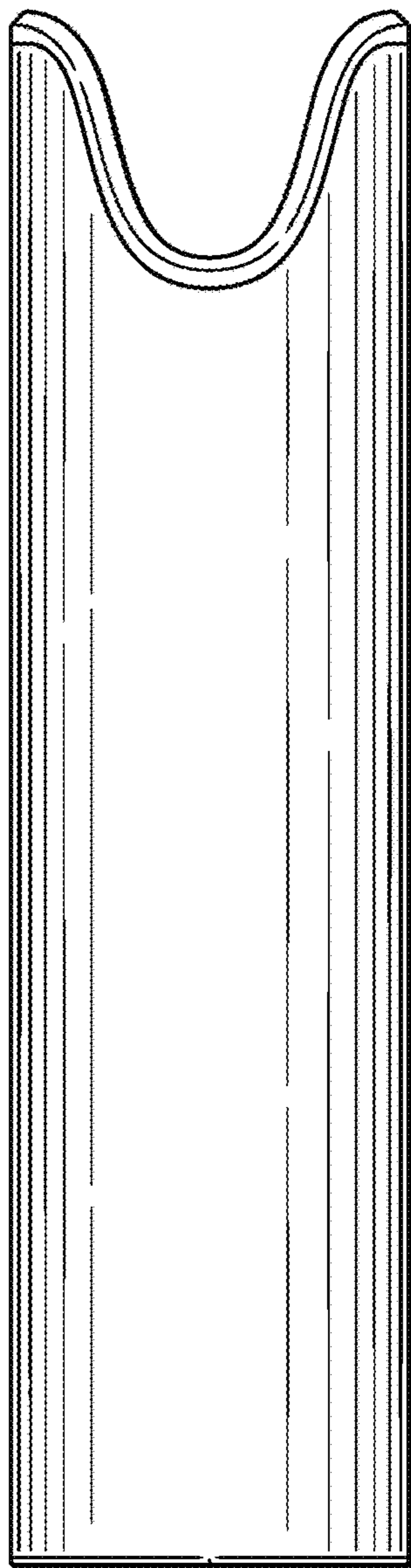


FIG. 6

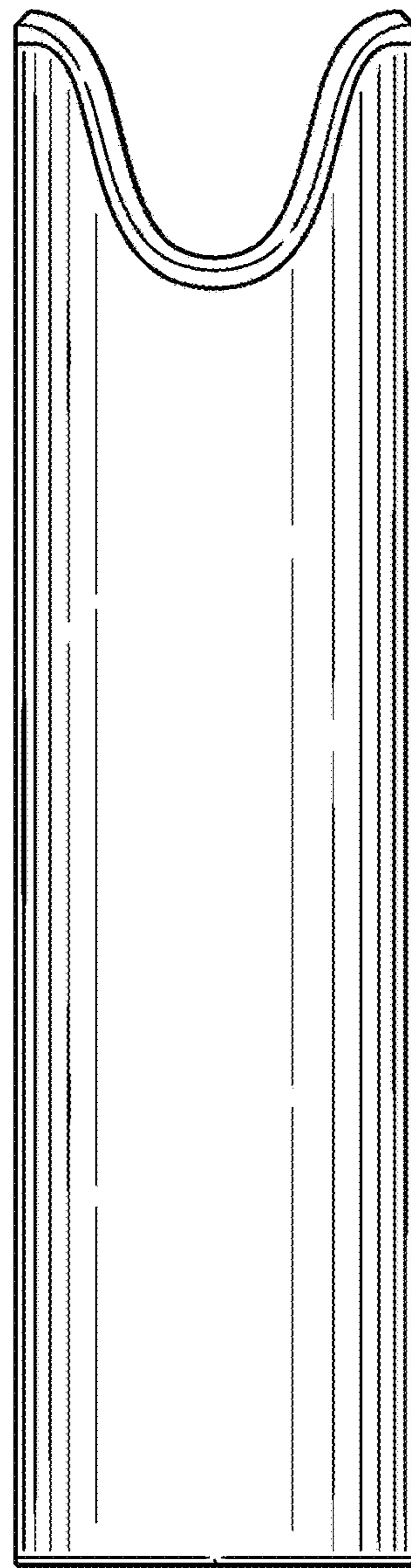


FIG. 7

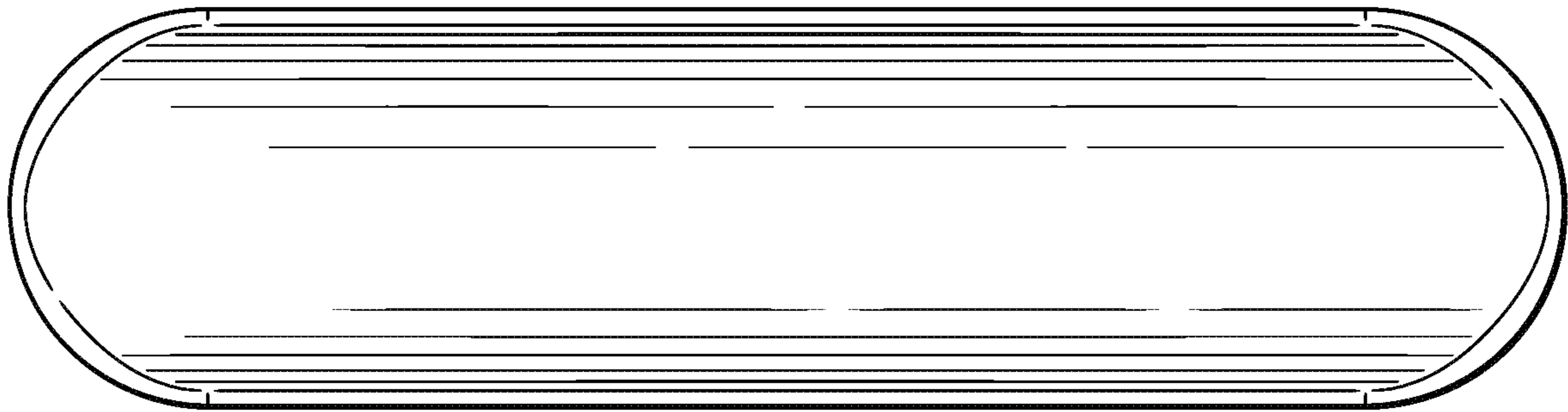


FIG. 8

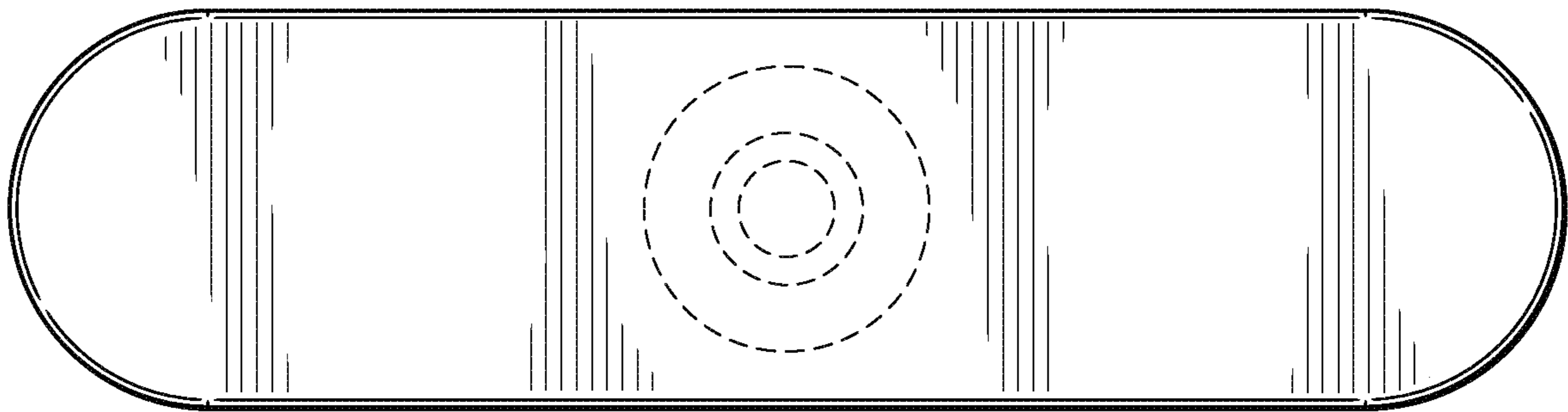


FIG. 9

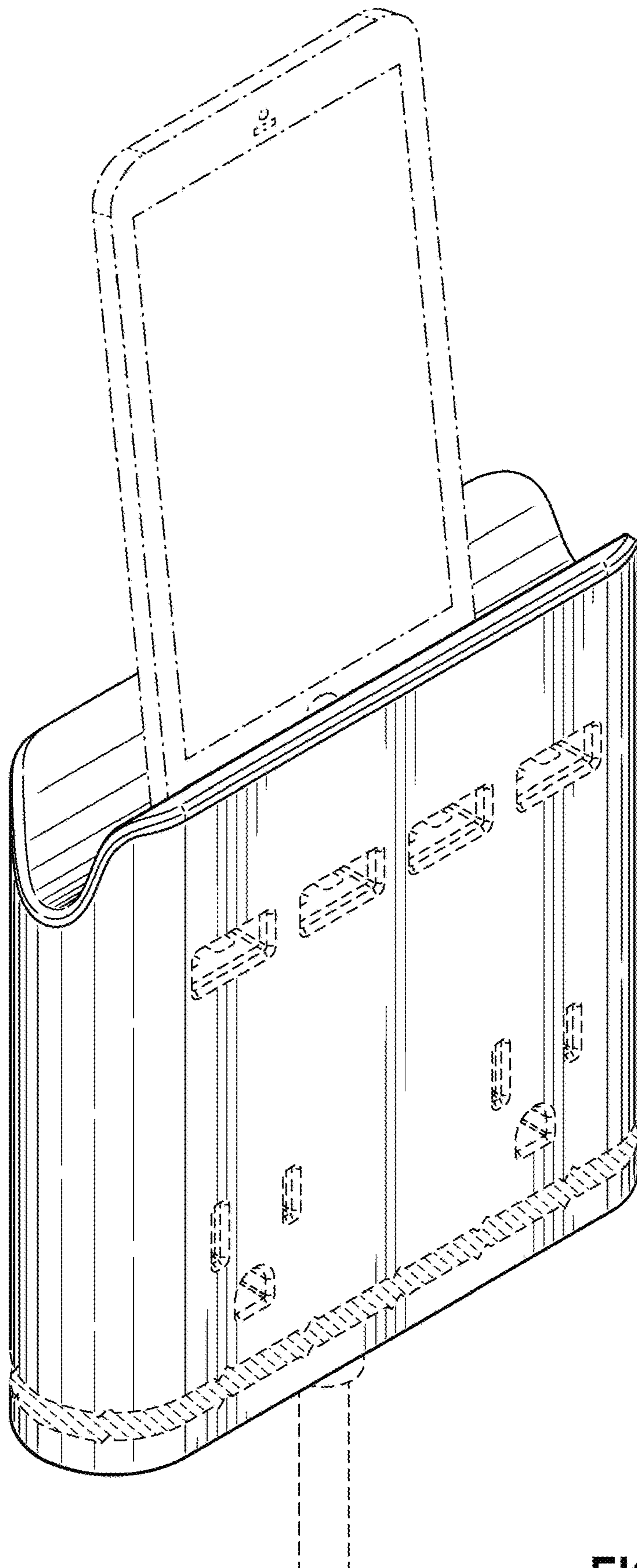


FIG. 10

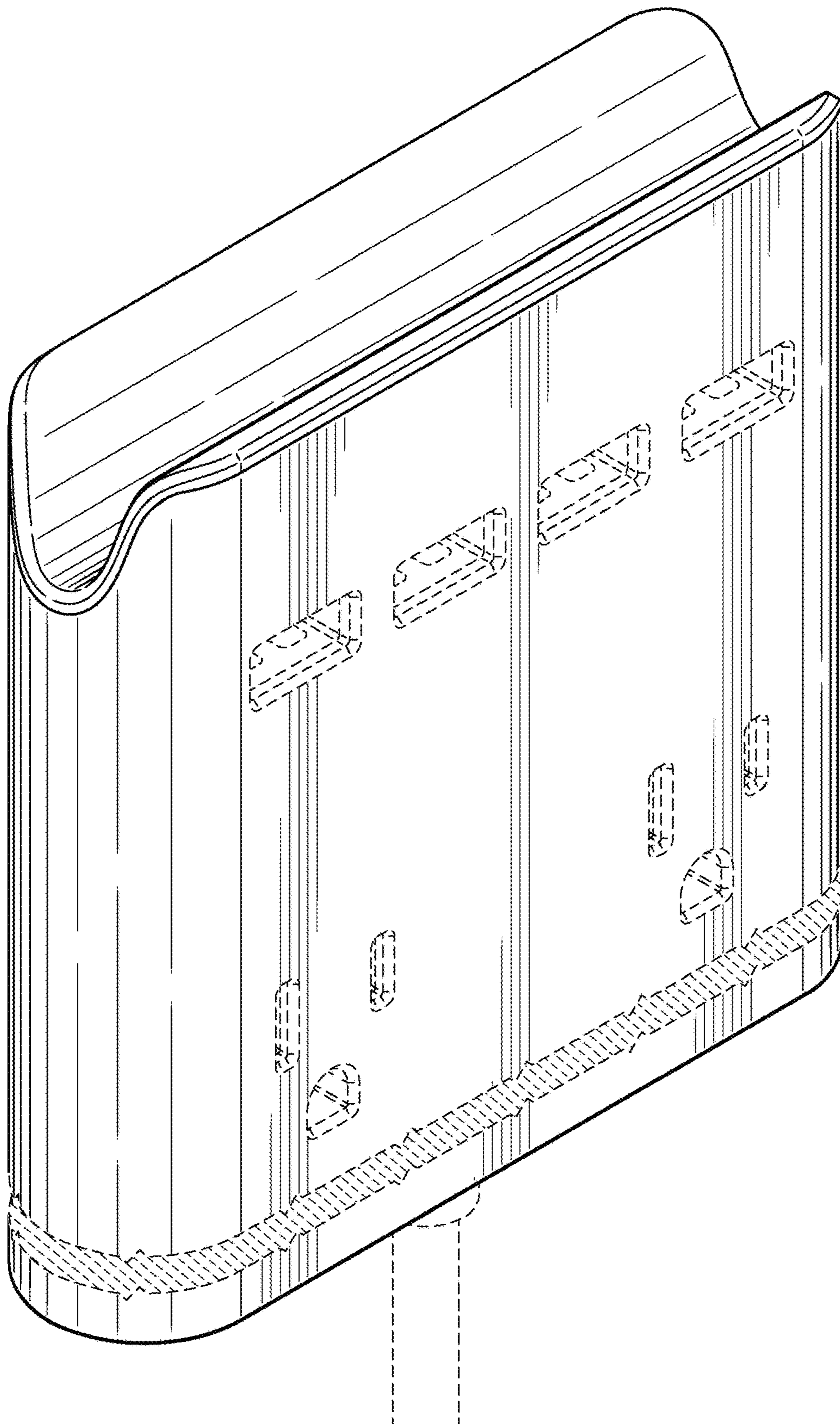


FIG. 11

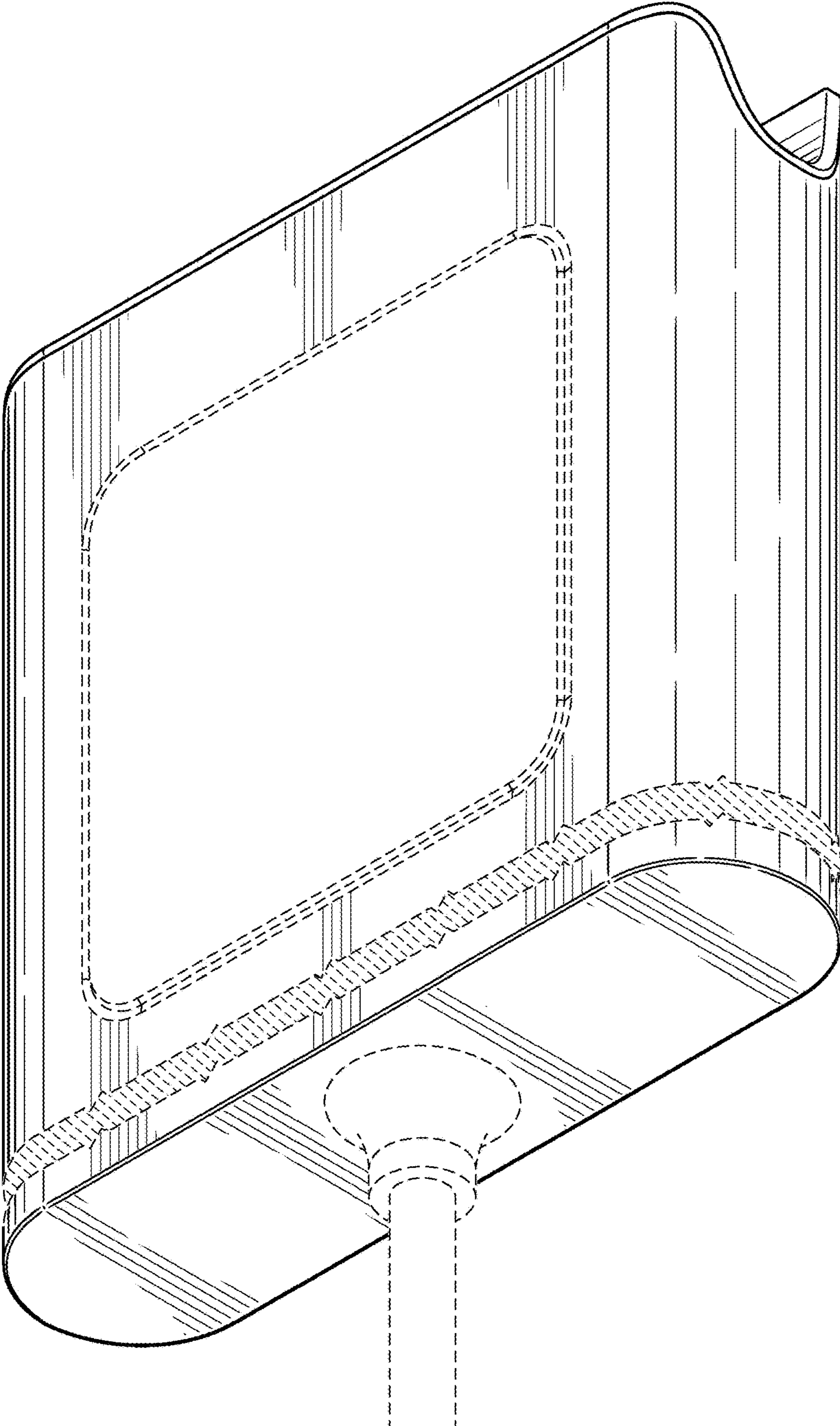


FIG. 12

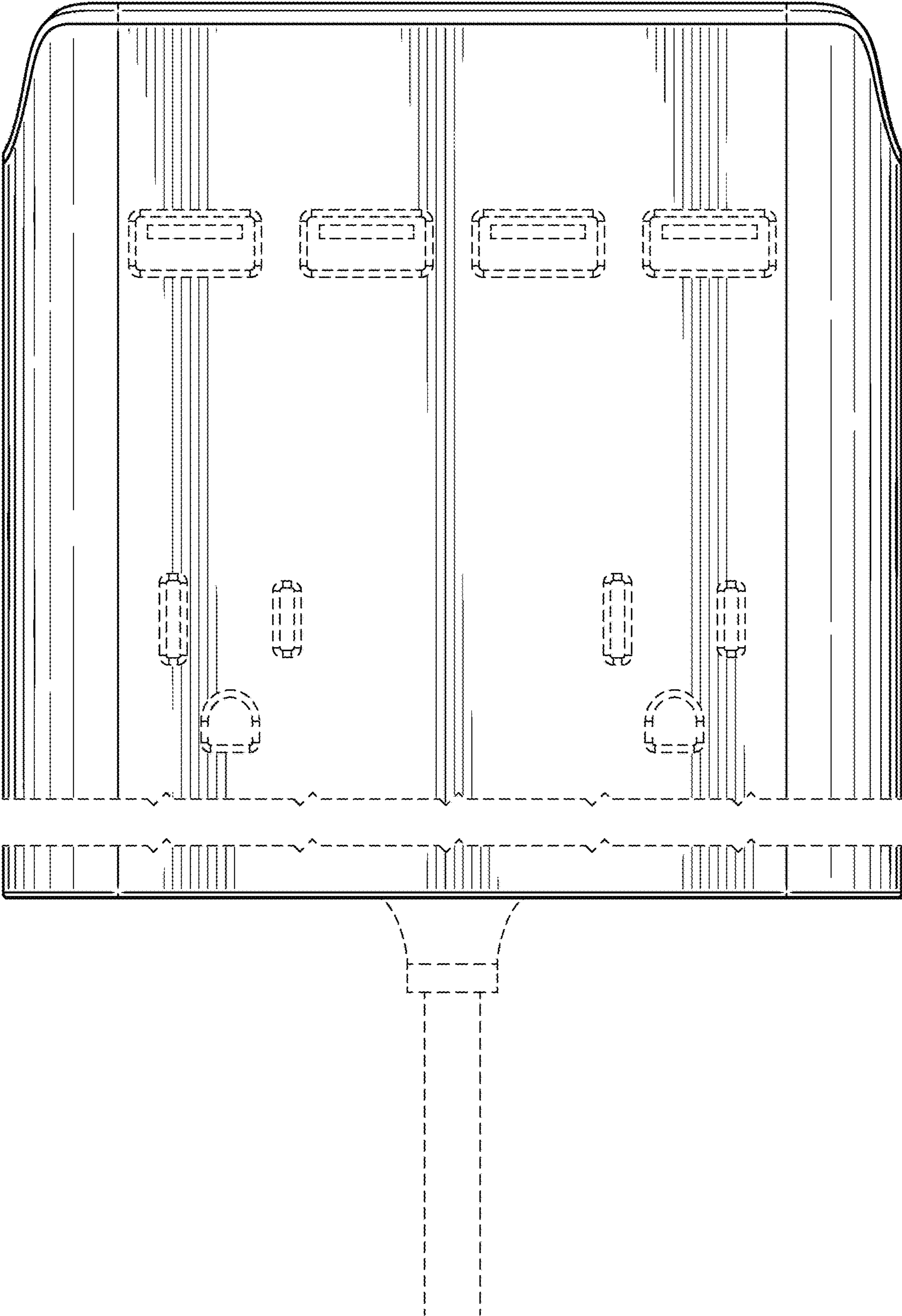


FIG. 13

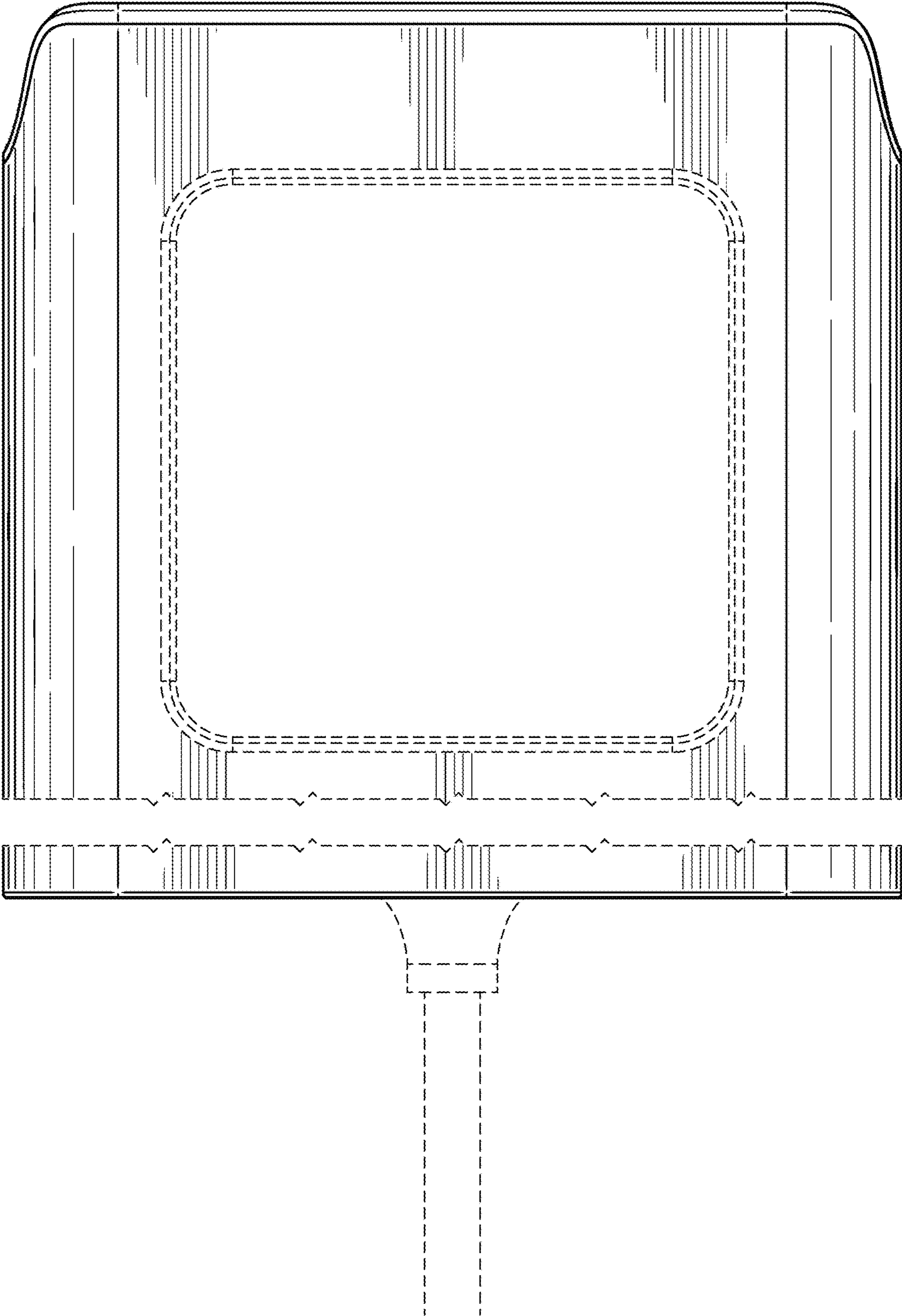


FIG. 14

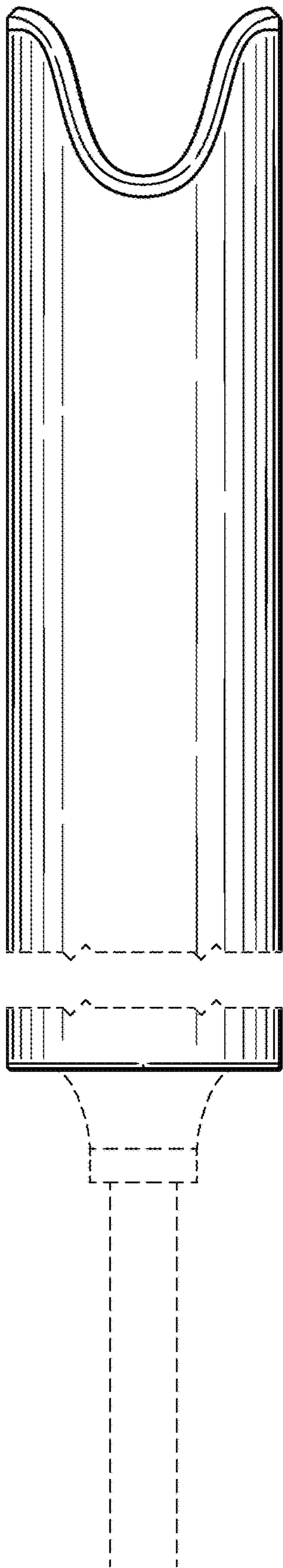


FIG. 15

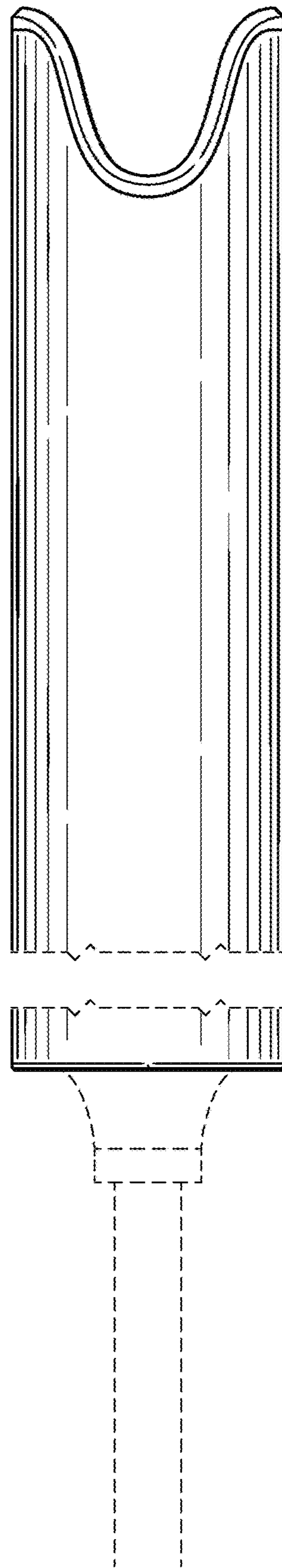


FIG. 16

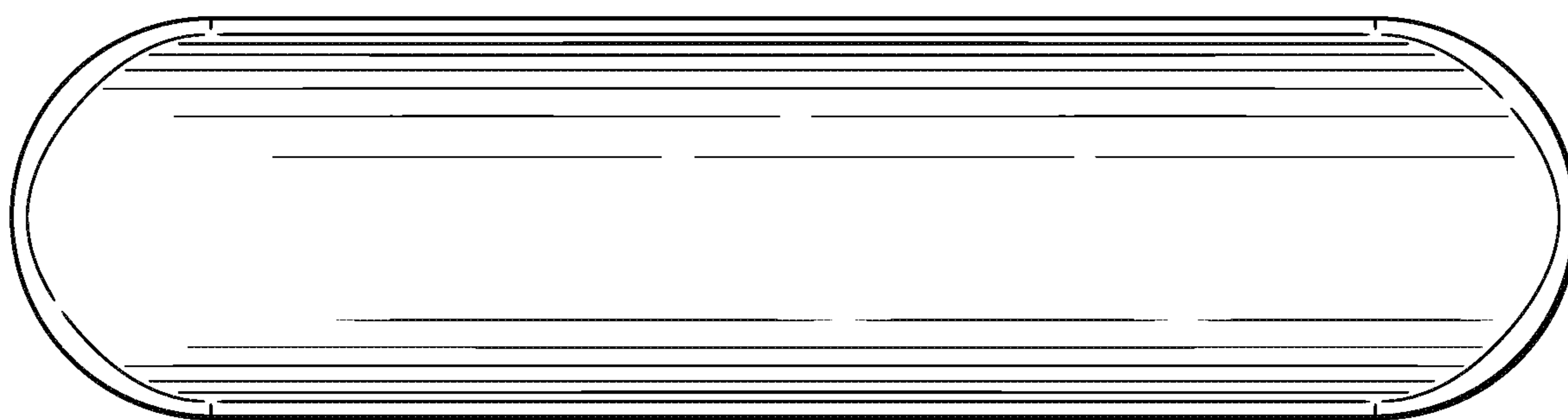


FIG. 17

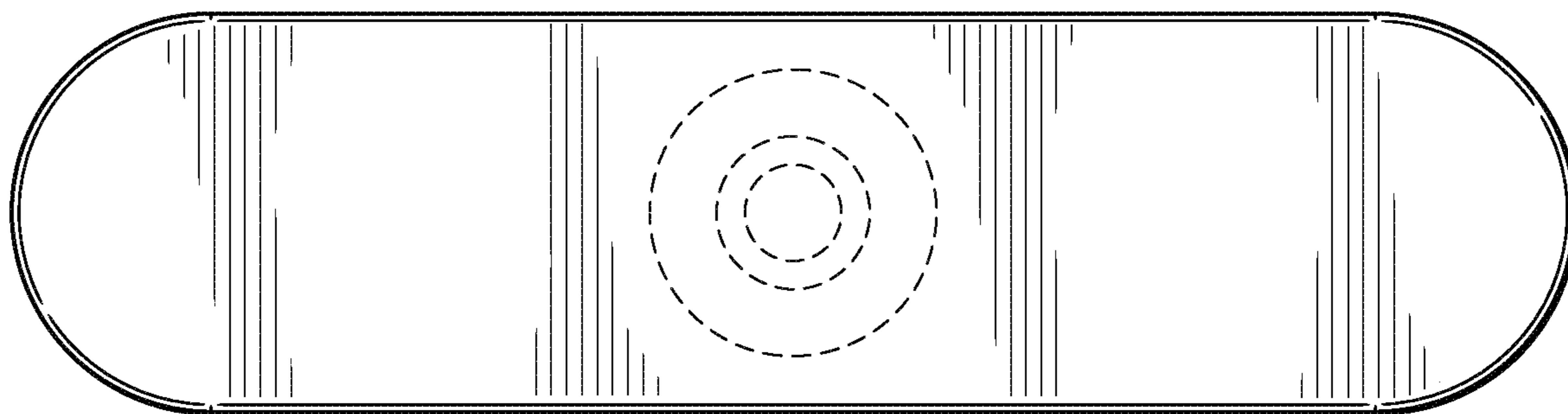


FIG. 18