



US00D918839S

(12) **United States Design Patent** (10) **Patent No.:** **US D918,839 S**  
**Ma** (45) **Date of Patent:** **\*\* May 11, 2021**

- (54) **AVIATION SOCKET**
- (71) Applicant: **TuSimple, Inc.**, San Diego, CA (US)
- (72) Inventor: **Zhihua Ma**, Beijing (CN)
- (73) Assignee: **TUSIMPLE, INC.**, San Diego, CA (US)
- (\*\*) Term: **15 Years**
- (21) Appl. No.: **29/691,751**
- (22) Filed: **May 19, 2019**

D777,106 S \* 1/2017 Katagiyama ..... D13/133  
 D782,621 S \* 3/2017 Smith ..... D23/259  
 D817,883 S \* 5/2018 Ishiguro ..... D13/133  
 (Continued)

**OTHER PUBLICATIONS**

Aviation Connector, Jay Xiao, published on Jul. 7, 2017 on youtube.com, retrieved on Oct. 14, 2020, retrieved from the Internet URL: <https://www.youtube.com/watch?v=Ykt2rTLsUBY>.\*

*Primary Examiner* — Catherine S Posthauer  
*Assistant Examiner* — Alison M Ofstun  
 (74) *Attorney, Agent, or Firm* — Paul Liu; Julie J. Muyco; Perkins Coie, LLP

**Related U.S. Application Data**

- (62) Division of application No. 29/617,659, filed on Sep. 15, 2017, now Pat. No. Des. 903,598.

**Foreign Application Priority Data**

- Jul. 10, 2017 (CN) ..... 201730299578.6
- (51) **LOC (13) Cl.** ..... **13-03**
- (52) **U.S. Cl.**  
USPC ..... **D13/133**
- (58) **Field of Classification Search**  
USPC ..... D13/120, 133, 146, 147, 151, 153, 154,  
D13/155, 156; D8/349, 382, 394, 396  
CPC .... H01R 13/5845; H01R 13/72; H01R 13/52;  
H01R 13/62; H01R 13/625; H01R  
13/629; H01R 31/06  
See application file for complete search history.

**References Cited**

**U.S. PATENT DOCUMENTS**

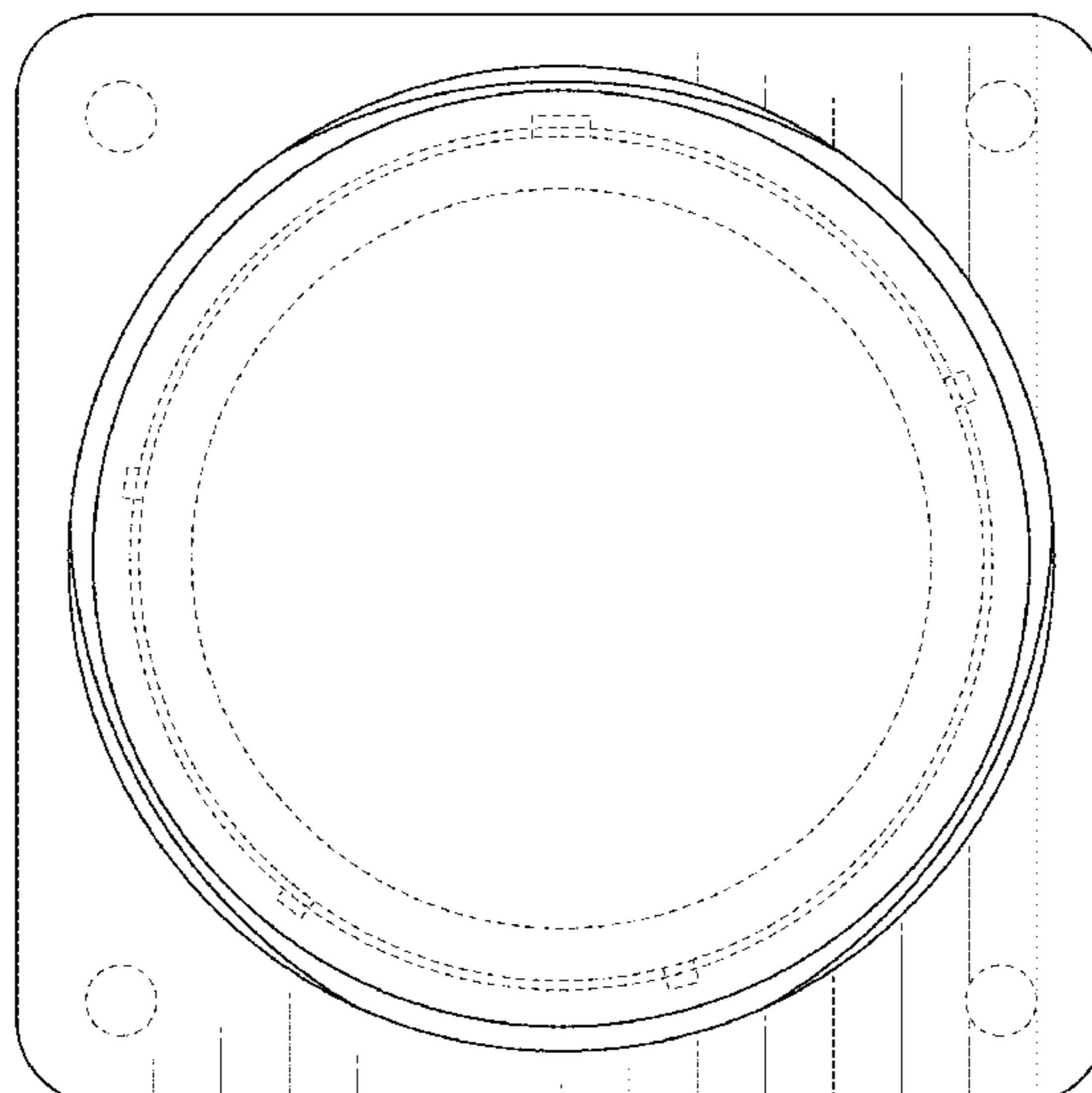
- 5,664,809 A \* 9/1997 Bates ..... F16L 25/026  
174/51
- D734,266 S \* 7/2015 Sato ..... D13/133
- D747,692 S \* 1/2016 Katagiyama ..... D13/154
- D753,594 S \* 4/2016 Katagiyama ..... D13/133
- D776,616 S \* 1/2017 Katagiyama ..... D13/133

(57) **CLAIM**  
 The ornamental design for an aviation socket, as shown and described.

**DESCRIPTION**

Be it known that the inventor, Zhihua MA, has invented a new, original, and ornamental design for an aviation socket, of which the following is a specification, reference being had to the accompanying drawings, forming a part thereof. A portion of the disclosure of this patent document contains material to which a claim for copyright is made. The copyright owner has no objection to the facsimile reproduction by anyone of the patent document or the patent disclosure, as it appears in the Patent and Trademark Office patent file or records, but reserves all other copyrights whatsoever. FIG. 1 is a front view of an aviation socket showing my new design; FIG. 2 is a rear view thereof; FIG. 3 is a left side view thereof; FIG. 4 is a right side view thereof; FIG. 5 is a top view thereof; and, FIG. 6 is a bottom view thereof. In the drawings, the broken lines illustrate portions of the article which form no part of the claimed design.

**1 Claim, 6 Drawing Sheets**



(56)

**References Cited**

U.S. PATENT DOCUMENTS

D837,741 S \* 1/2019 Corona ..... D13/151  
D838,247 S \* 1/2019 Corona ..... D13/151  
D840,934 S \* 2/2019 Marchesi ..... D13/120  
D864,115 S \* 10/2019 Ishiguro ..... D13/133  
D896,187 S \* 9/2020 Ehmann ..... D13/154  
D898,672 S \* 10/2020 Smajda ..... D13/146  
2008/0261446 A1 \* 10/2008 Arnaud ..... H01R 13/6315  
439/578  
2009/0142952 A1 \* 6/2009 Akasaka ..... H01R 13/622  
439/314  
2013/0207377 A1 \* 8/2013 Cavagna ..... F16L 25/02  
285/47  
2014/0322937 A1 \* 10/2014 Johnson ..... H01R 13/53  
439/126  
2015/0380861 A1 \* 12/2015 Harwath ..... H01R 13/52  
385/86  
2016/0285196 A1 \* 9/2016 Deininger ..... B23Q 1/0009  
2017/0155219 A1 \* 6/2017 Wali ..... H01R 13/622  
2018/0040986 A1 \* 2/2018 Tsang ..... H01R 13/652

\* cited by examiner

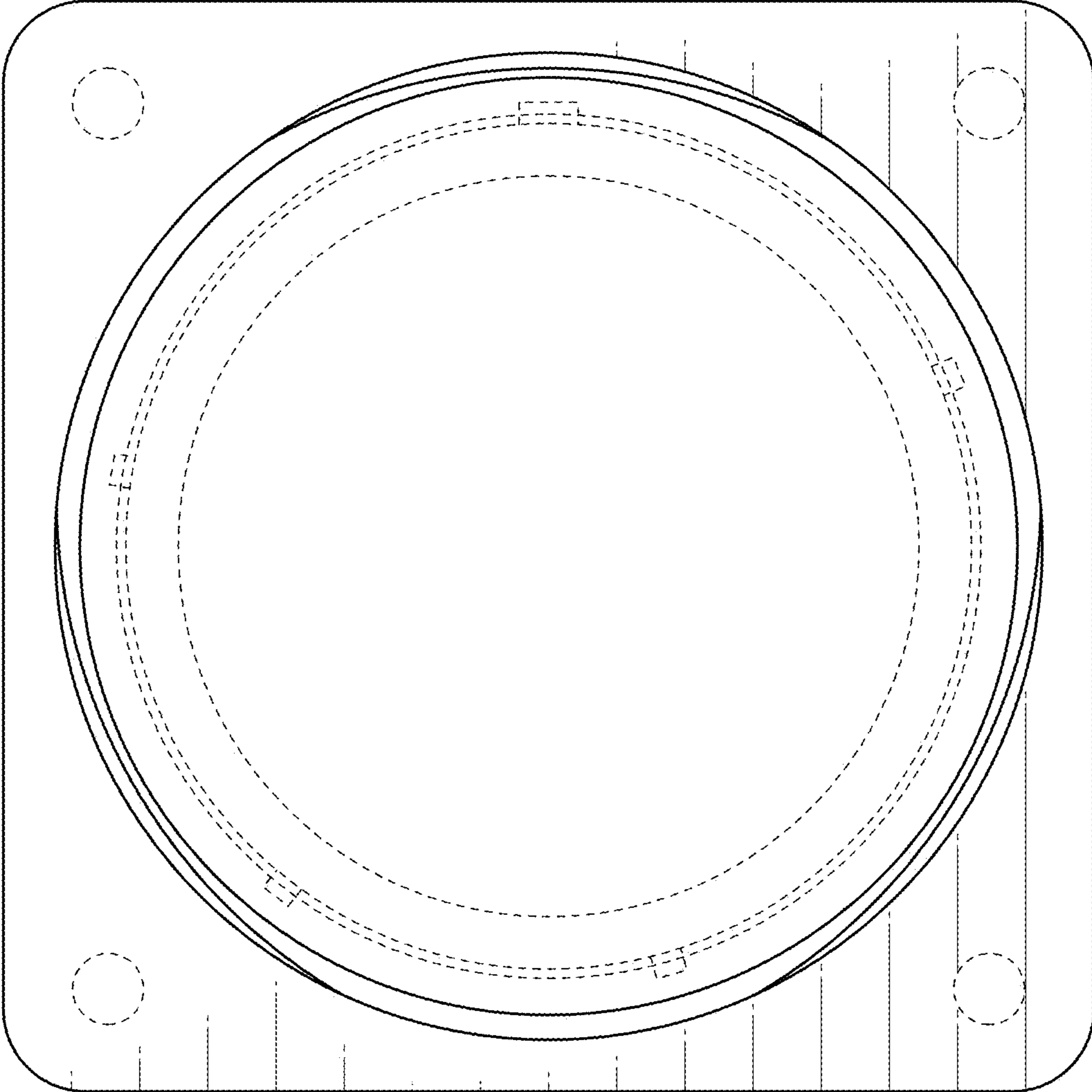


FIG. 1

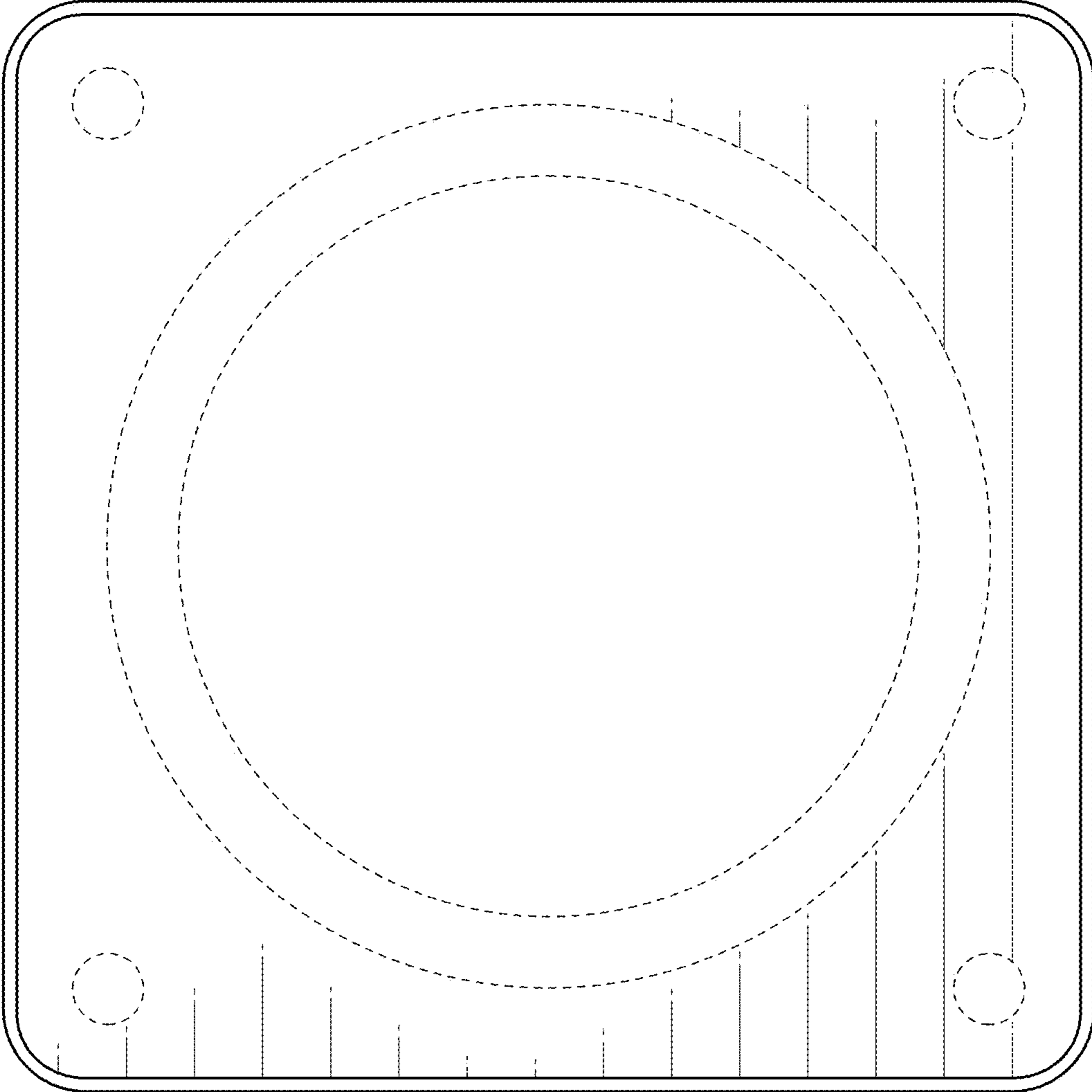


FIG. 2

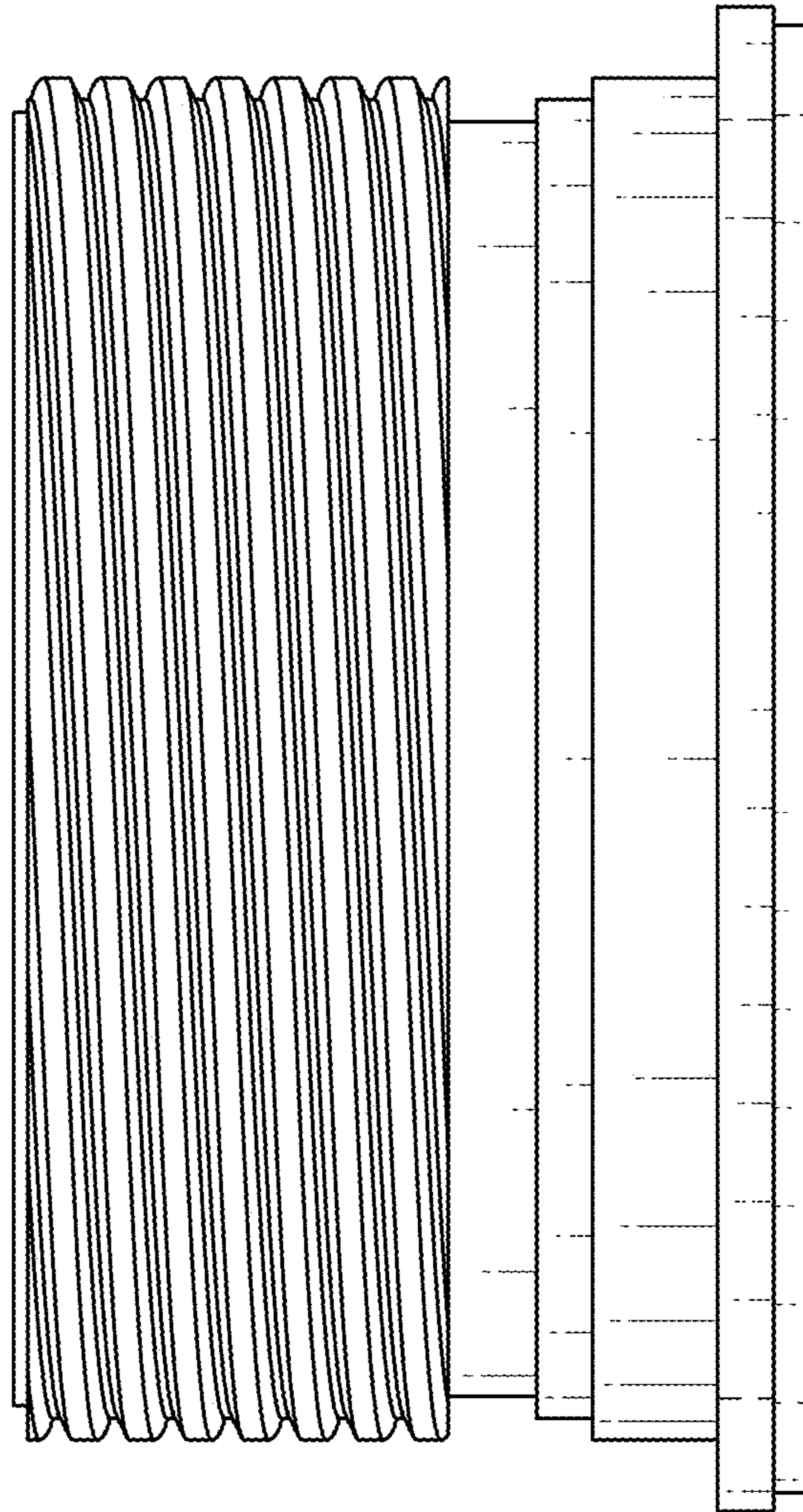


FIG. 3

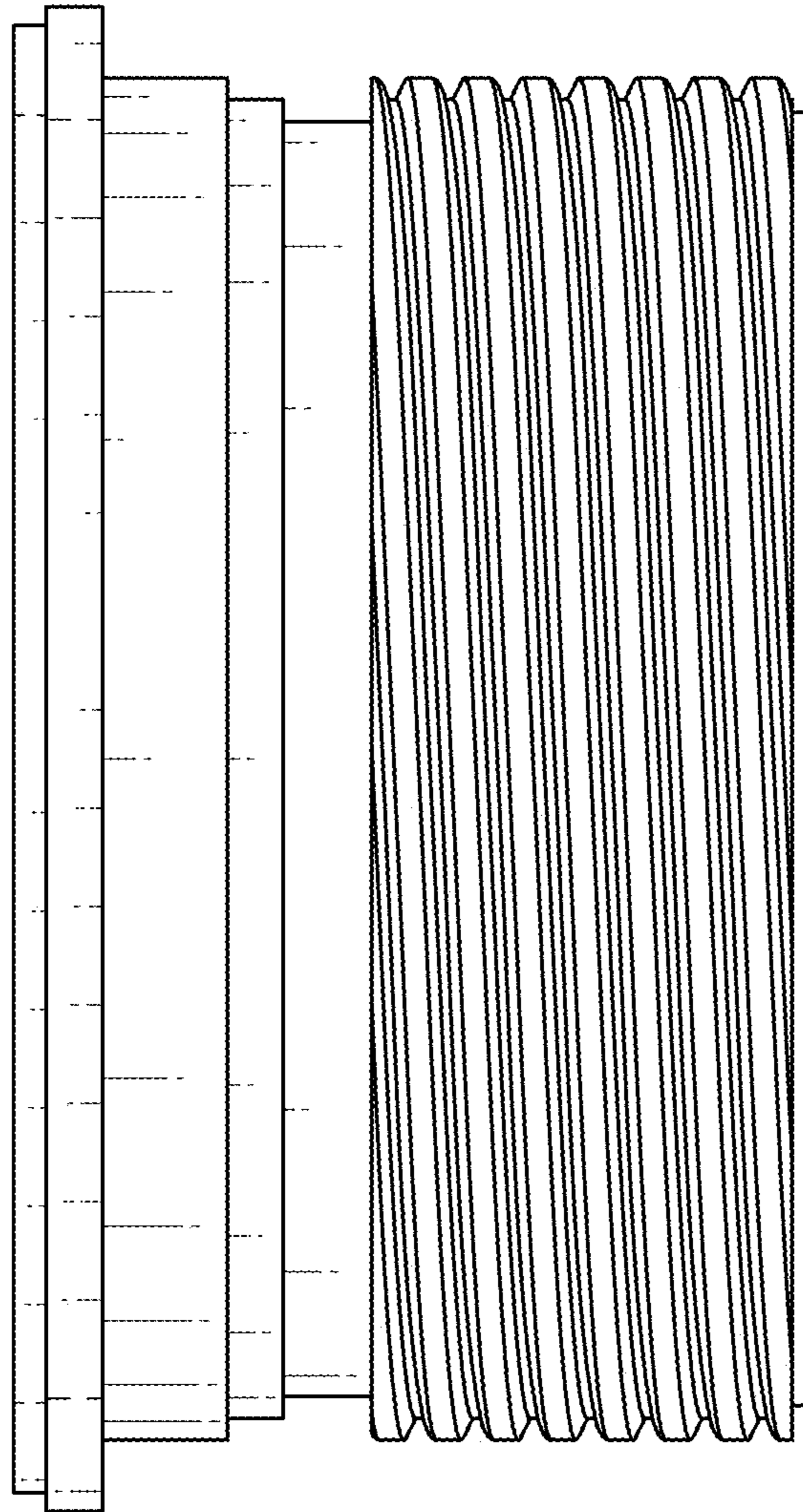


FIG. 4

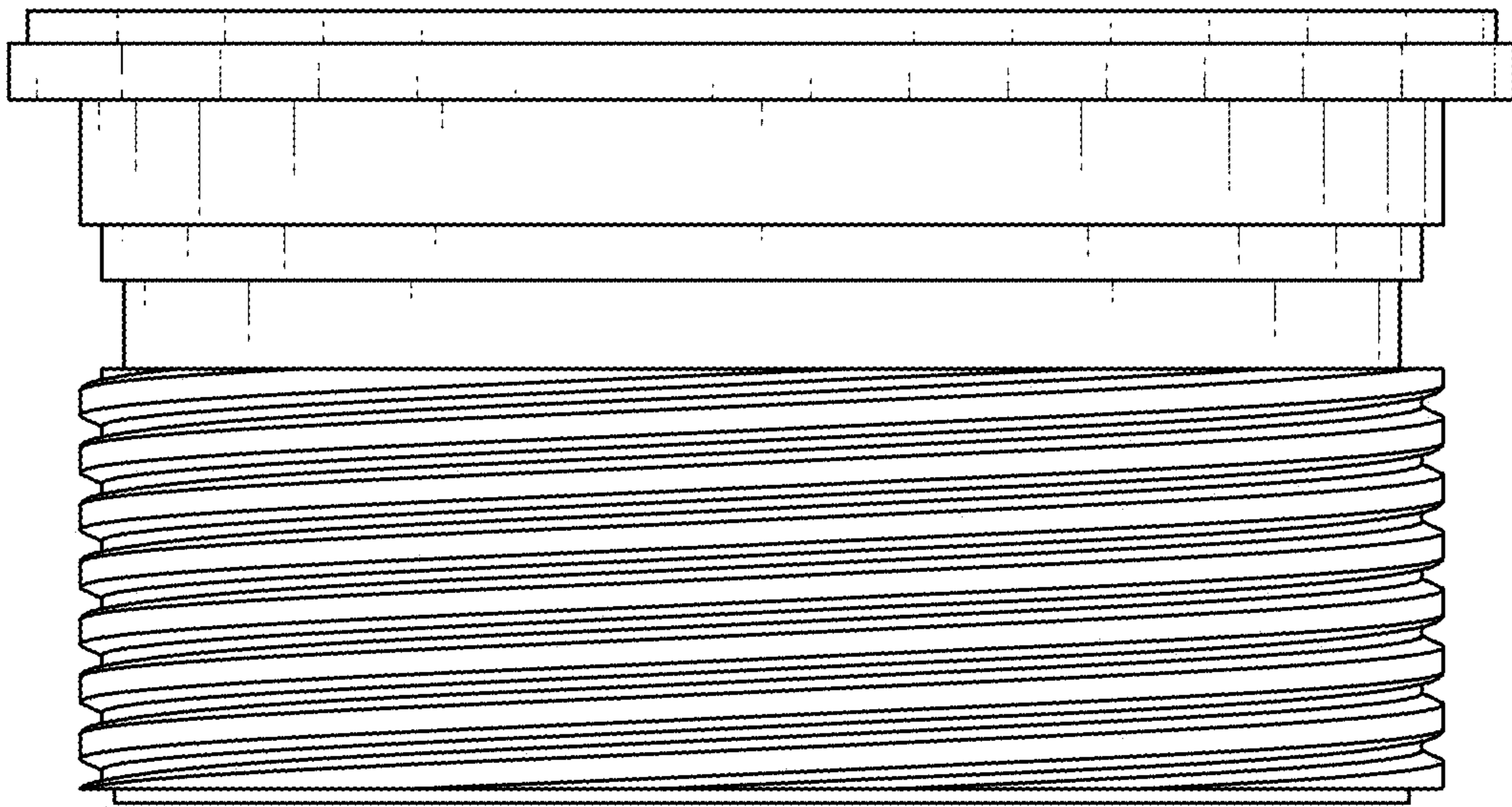


FIG. 5

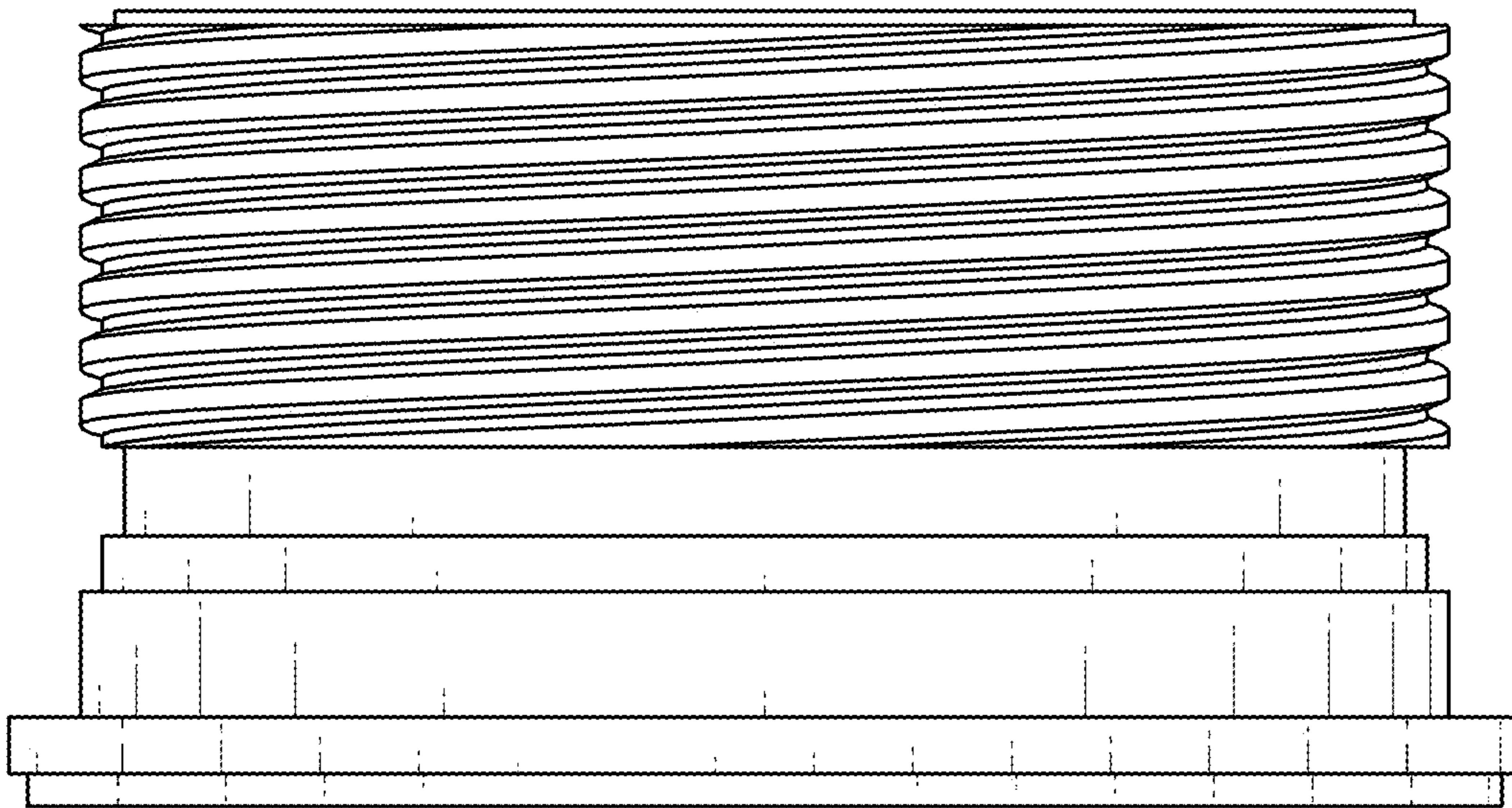


FIG. 6