



US00D918837S

(12) **United States Design Patent**
Pelini

(10) **Patent No.:** **US D918,837 S**

(45) **Date of Patent:** **** *May 11, 2021**

(54) **MANUAL JACK PLATE WITH CUTOUTS**

(71) Applicant: **Mark F. Pelini**, Valrico, FL (US)

(72) Inventor: **Mark F. Pelini**, Valrico, FL (US)

(*) Notice: This patent is subject to a terminal disclaimer.

(**) Term: **15 Years**

(21) Appl. No.: **29/723,614**

(22) Filed: **Feb. 8, 2020**

(51) **LOC (13) Cl.** **13-01**

(52) **U.S. Cl.**
USPC **D13/122; D15/4**

(58) **Field of Classification Search**

USPC D13/101, 110, 112, 113, 114, 118, 122,
D13/184, 199; D15/4, 5, 199; D8/349,
D8/353; D12/220, 223, 300, 317
CPC B63H 20/08; B63H 20/106; B63H 5/125;
F15B 15/04; F15B 15/12; F15B 15/18;
F15B 15/106; F15B 15/063; F15B 1/106;
F15B 1/265; F15B 2211/20515

See application file for complete search history.

(56) **References Cited**

U.S. PATENT DOCUMENTS

D372,452 S * 8/1996 Icenogle D12/317
D390,188 S * 2/1998 Norfolk D13/112
D458,235 S * 6/2002 Klein, Jr. D13/184

D575,731 S * 8/2008 Gherlenda D13/112
7,527,539 B1 * 5/2009 Pelini B63H 20/08
440/61 R
7,731,552 B1 * 6/2010 Pelini B63H 20/06
440/53
D622,287 S * 8/2010 Pelini D15/4
8,210,886 B1 * 7/2012 Pelini B63B 17/00
440/53
D701,364 S * 3/2014 Pelini D34/31
D729,040 S * 5/2015 Pelini D8/349
10,150,547 B1 * 12/2018 Pelini B63H 20/106

* cited by examiner

Primary Examiner — Derrick E Holland

(74) *Attorney, Agent, or Firm* — Edward P. Dutkiewicz

(57) **CLAIM**

The ornamental design for a manual jack plate with cutouts, as shown and described.

DESCRIPTION

FIG. 1 is a front elevational view of a manual jack plate with cutouts showing my new design;
FIG. 2 is a rear elevational view;
FIG. 3 is the left side elevational view;
FIG. 4 is right side elevational view;
FIG. 5 is a top plan view;
FIG. 6 is a bottom plan view; and,
FIG. 7 is a left rear perspective view with the rear plate removed for ease of illustration.

The broken lines shown represent environmental subject matter and form no part of the claimed design.

1 Claim, 4 Drawing Sheets

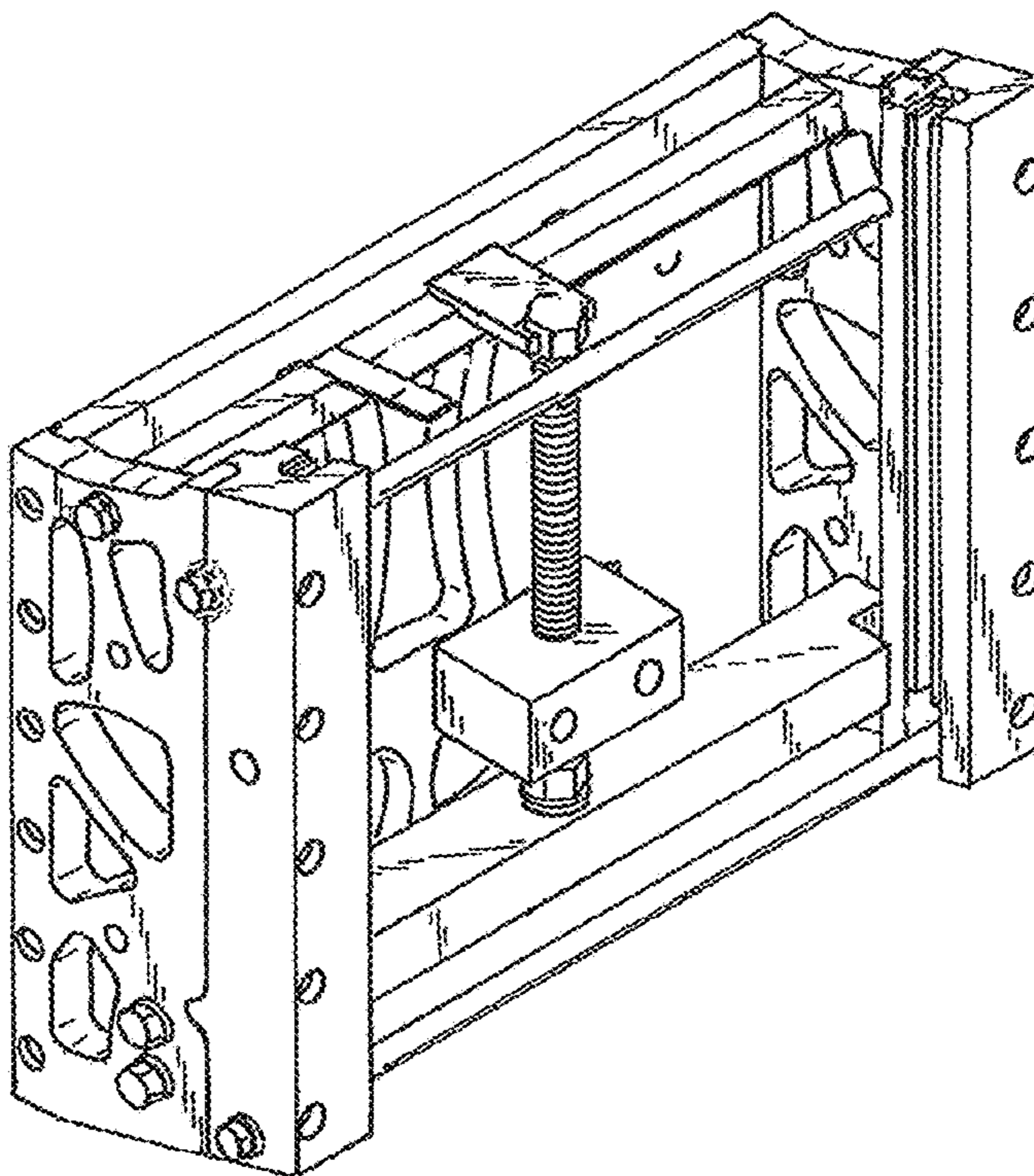
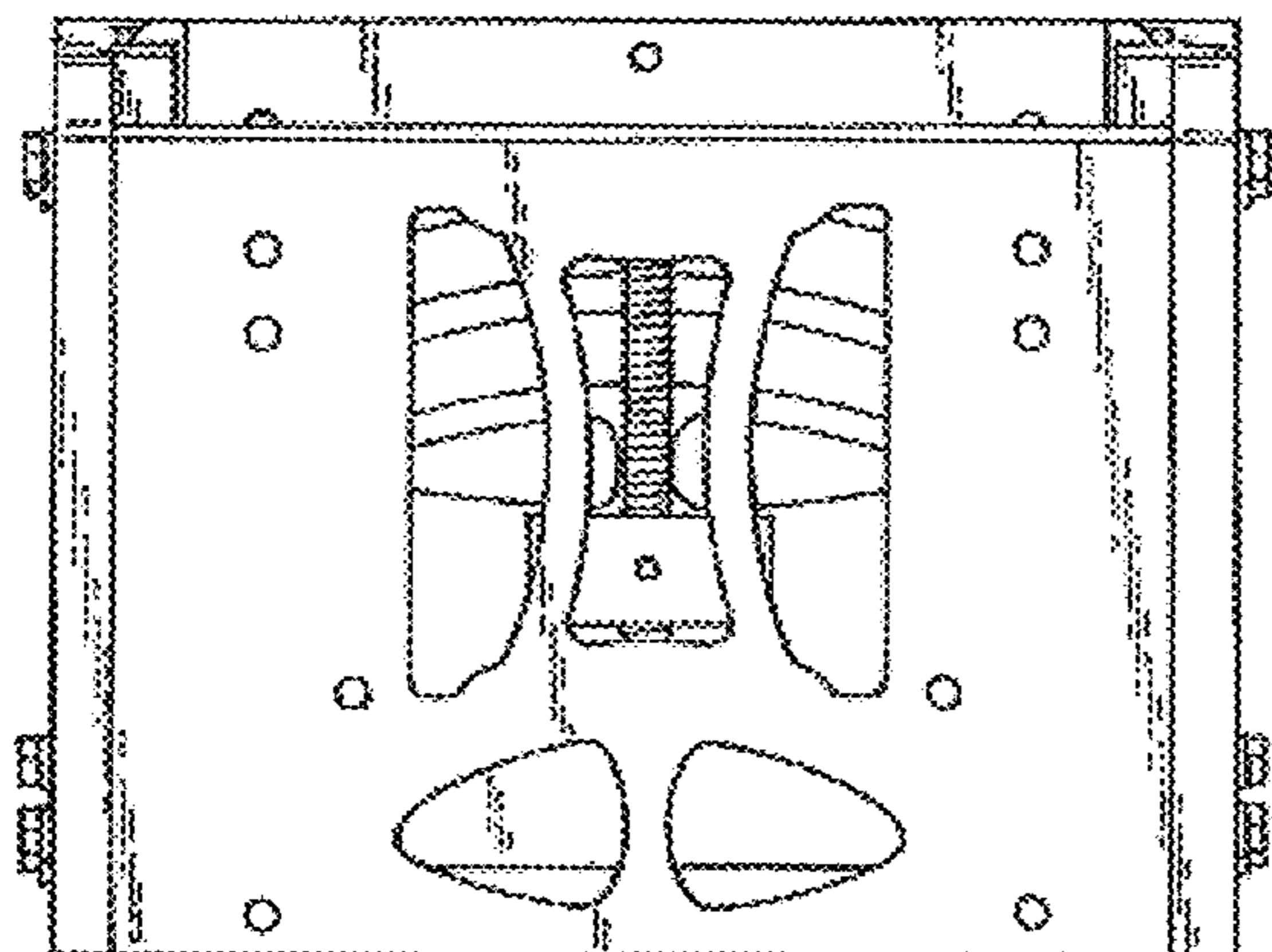


FIG. 1

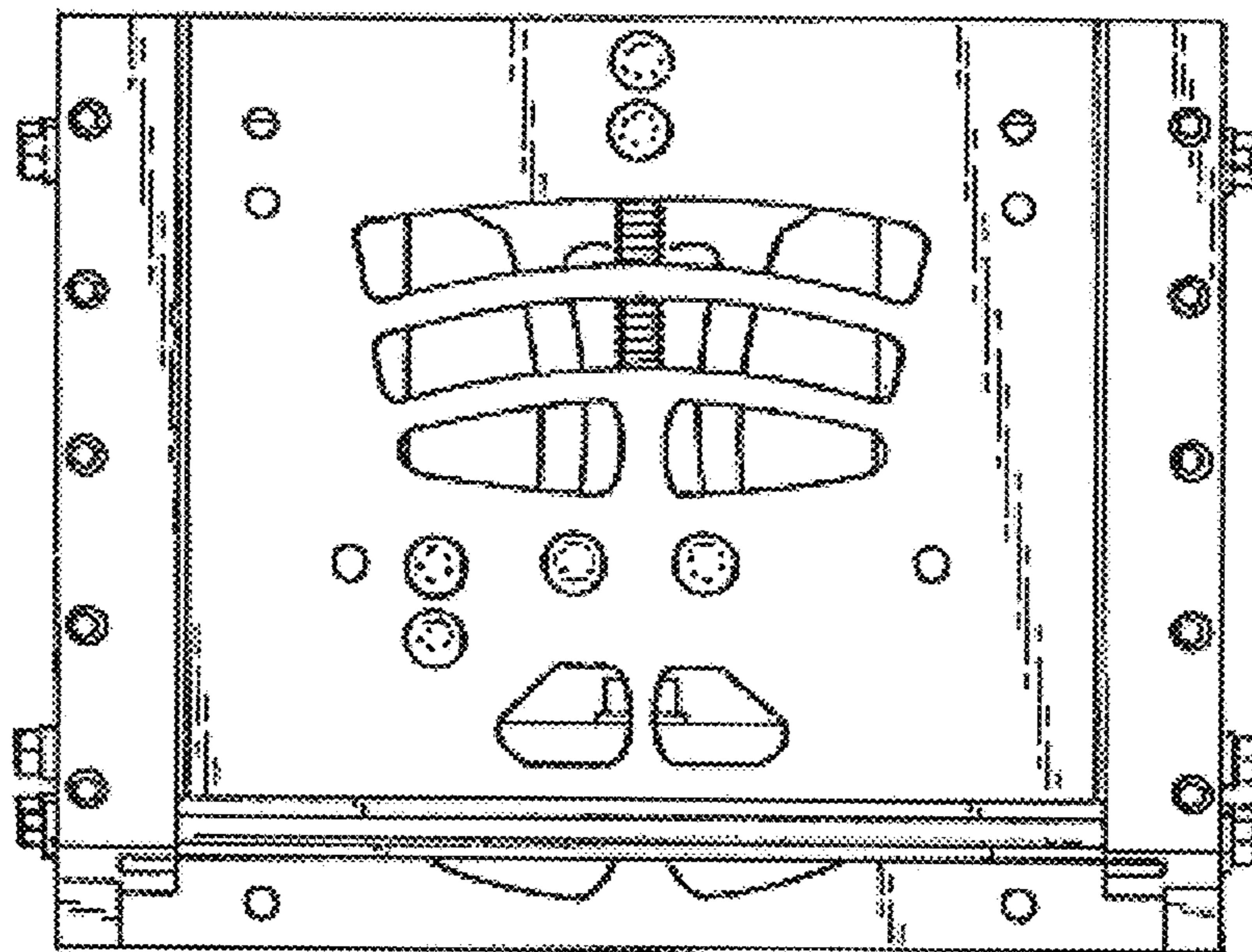
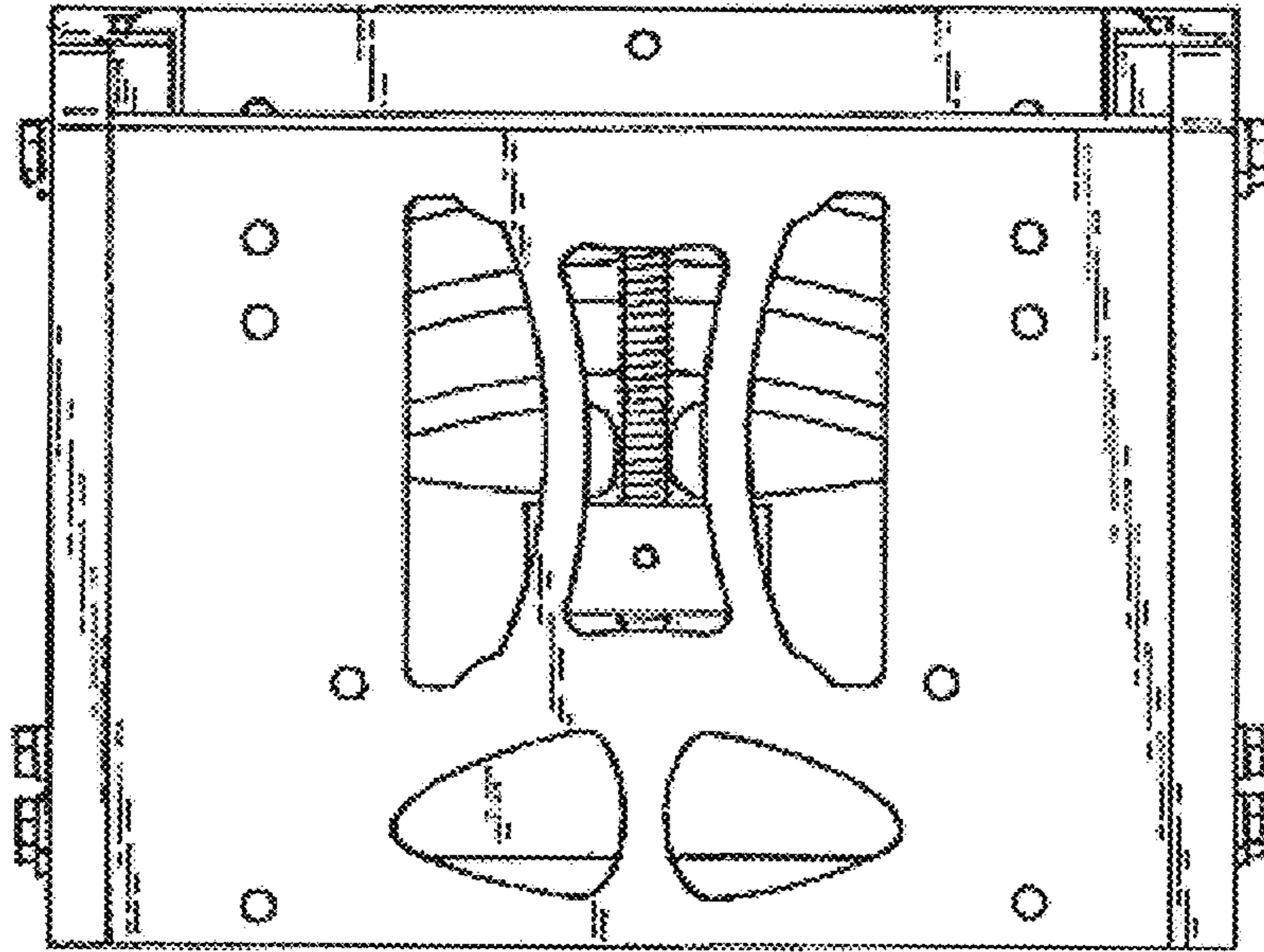


FIG. 2

FIG. 3

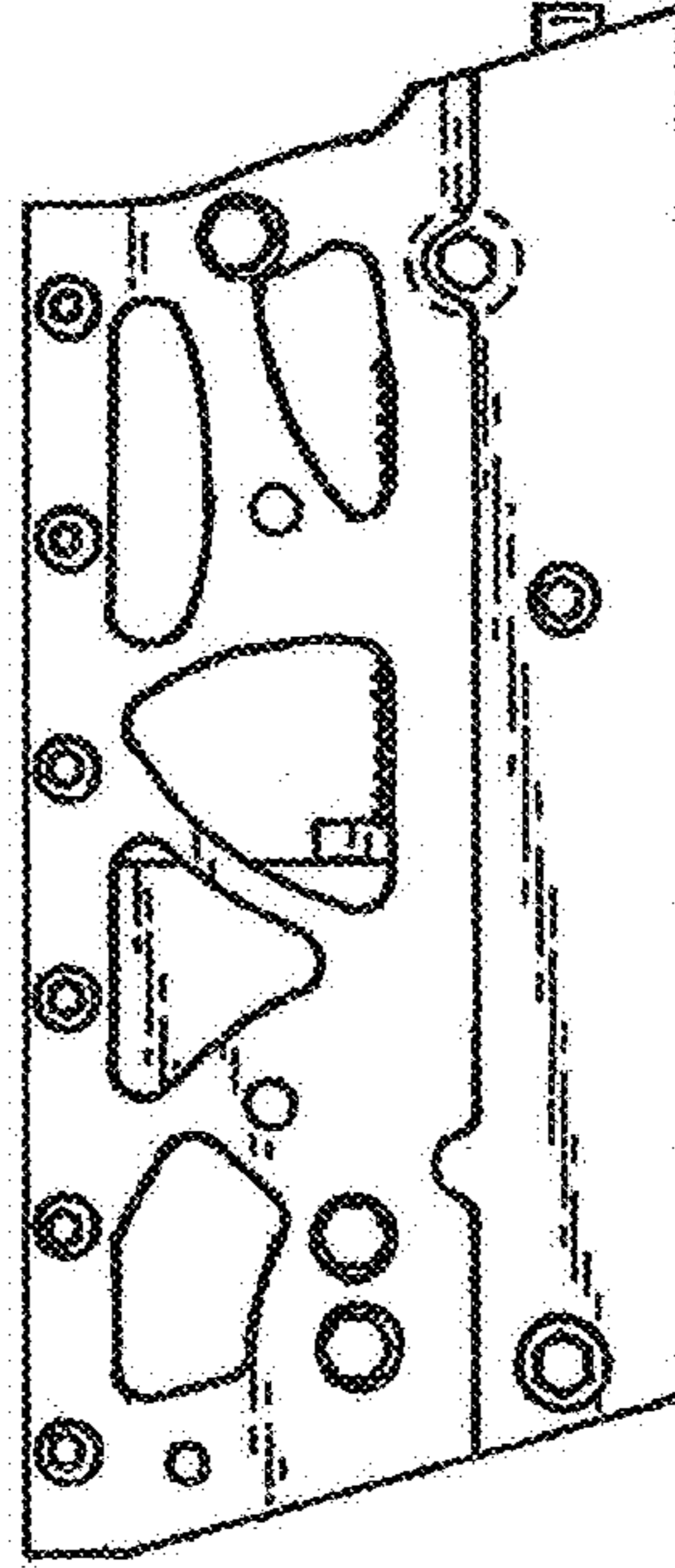


FIG. 4

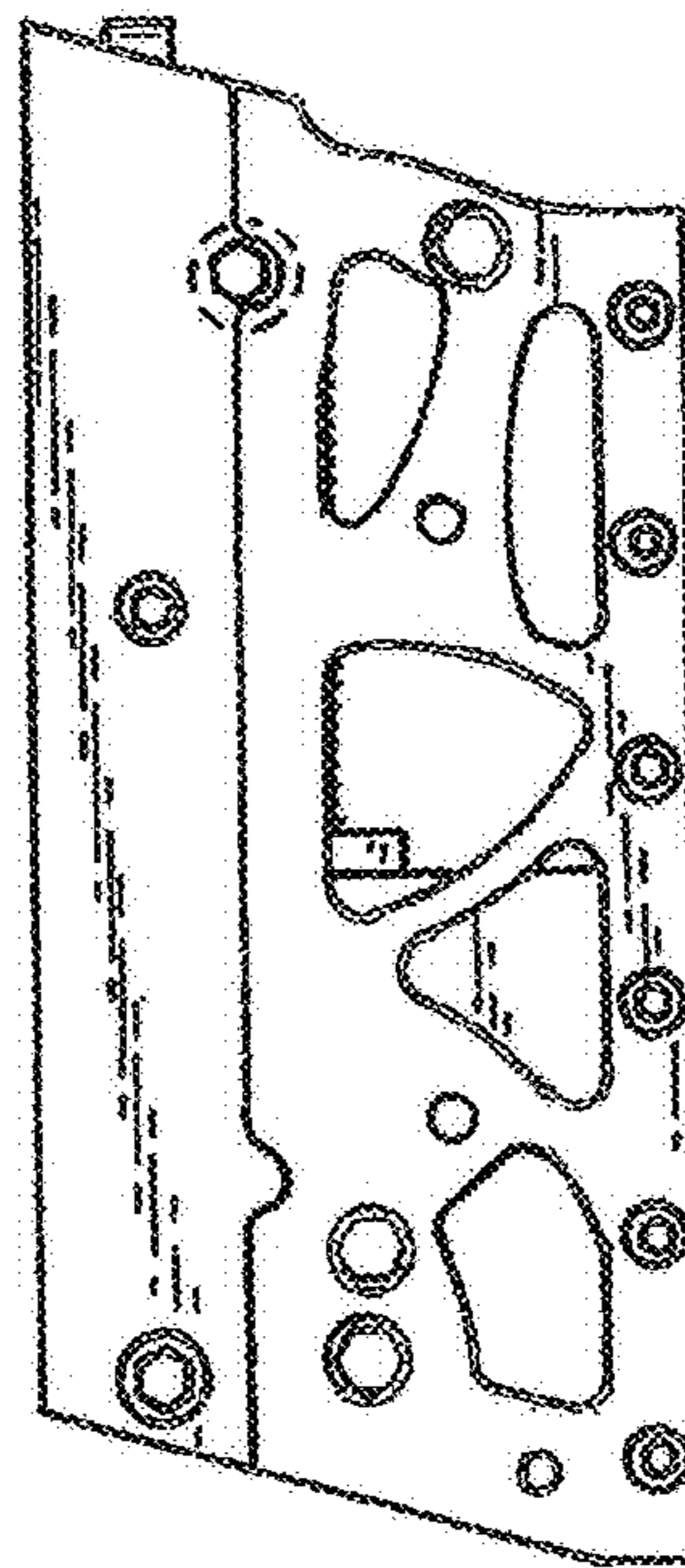


FIG. 5

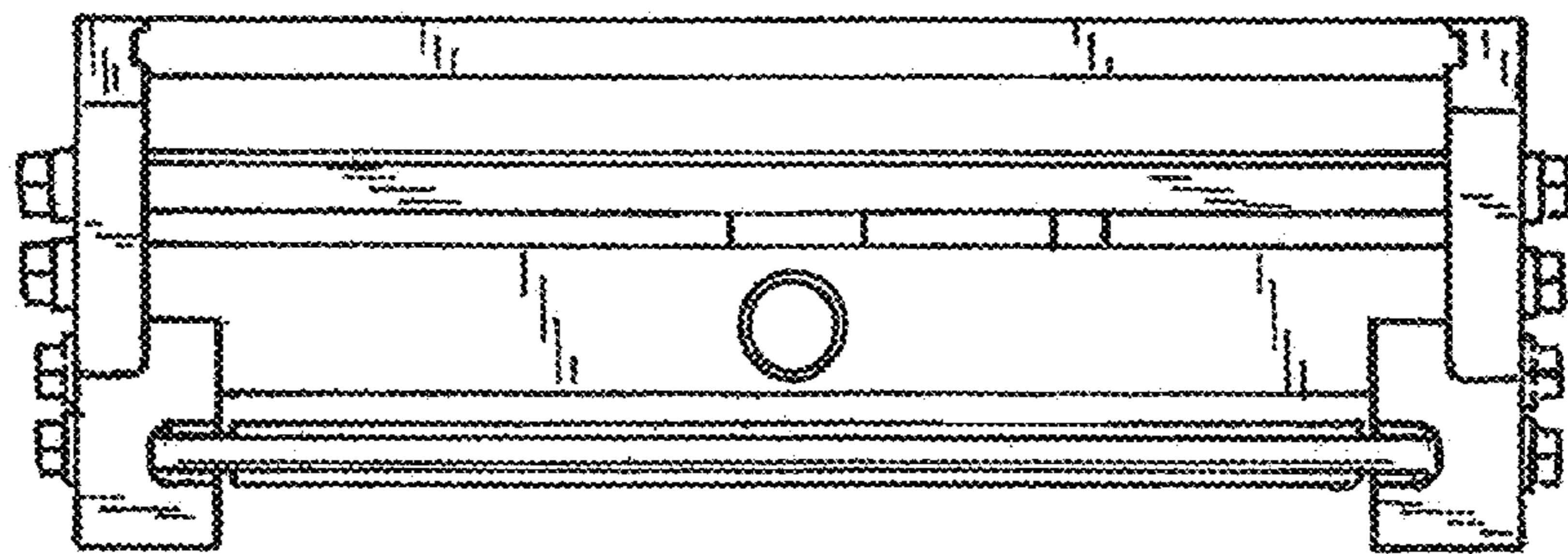
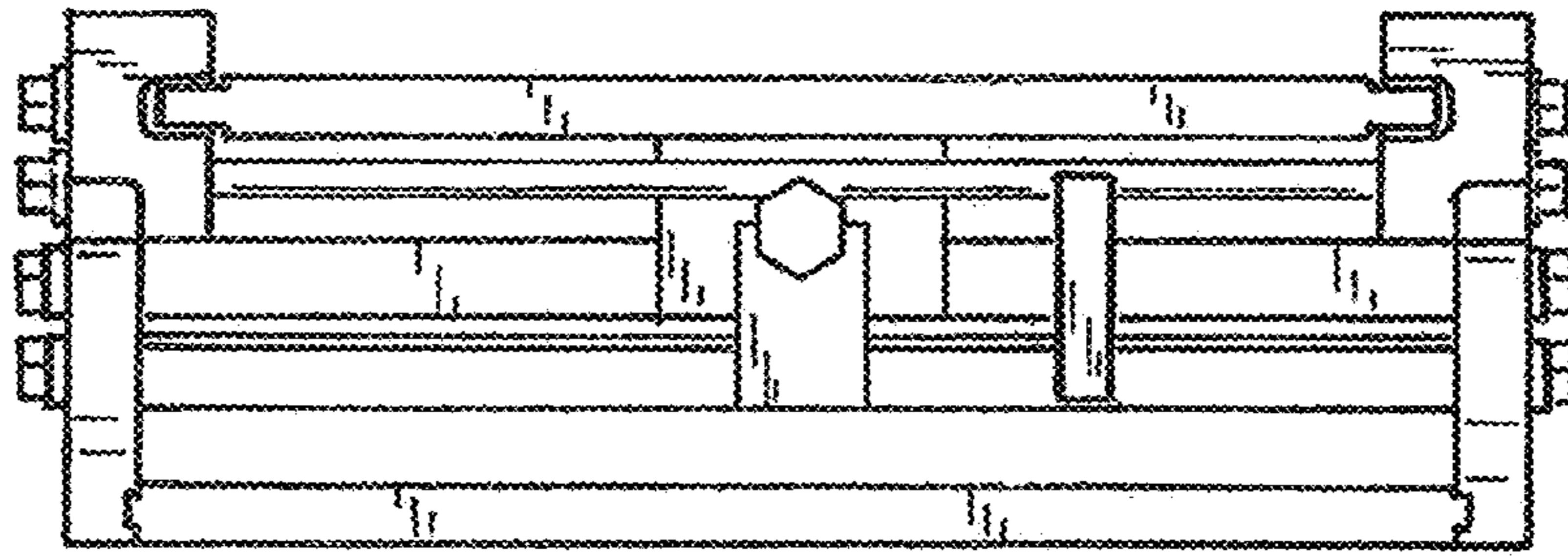


FIG. 6

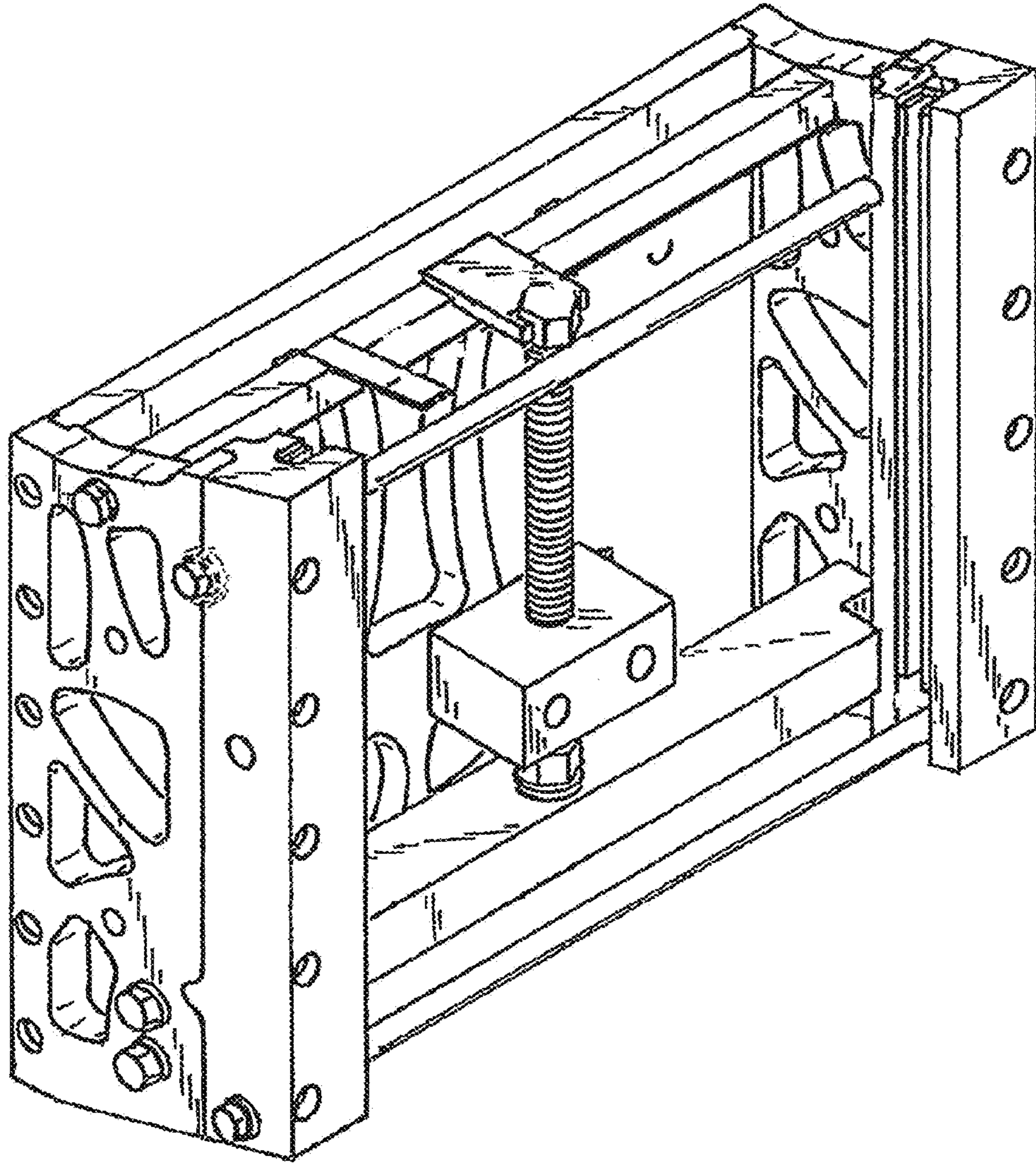


FIG. 7