



US00D918835S

(12) **United States Design Patent** (10) **Patent No.:** **US D918,835 S**  
**Asai et al.** (45) **Date of Patent:** **\*\* May 11, 2021**

(54) **COIL COMPONENT**

(71) Applicant: **TDK CORPORATION**, Tokyo (JP)

(72) Inventors: **Yugo Asai**, Tokyo (JP); **Daisuke Urabe**, Tokyo (JP); **Hiroshi Suzuki**, Tokyo (JP); **Aoi Tokiwa**, Tokyo (JP)

(73) Assignee: **TDK CORPORATION**, Tokyo (JP)

(\*\*) Term: **15 Years**

(21) Appl. No.: **29/680,930**

(22) Filed: **Feb. 21, 2019**

(30) **Foreign Application Priority Data**

Aug. 22, 2018 (JP) ..... 2018-018255  
Aug. 22, 2018 (JP) ..... 2018-018256

(51) **LOC (13) Cl.** ..... **13-02**

(52) **U.S. Cl.**  
USPC ..... **D13/117**

(58) **Field of Classification Search**  
USPC ..... D13/101-110, 118-119, 151-155, 184, D13/199  
CPC .... H01F 41/10; H01F 41/0206; H01F 41/064; H01F 17/045; H01F 17/04; H01F 27/245; H01F 27/292; H01F 27/29  
See application file for complete search history.

(56) **References Cited**

U.S. PATENT DOCUMENTS

D798,814 S \* 10/2017 Takagi ..... D13/117  
D831,570 S \* 10/2018 Takagi ..... D13/117  
D842,248 S \* 3/2019 Komaya ..... D13/117  
D842,249 S \* 3/2019 Komaya ..... D13/117  
D842,250 S \* 3/2019 Komaya ..... D13/117  
D850,379 S \* 6/2019 Komaya ..... D13/117  
2008/0003865 A1 \* 1/2008 Hatakeyama ..... H01F 17/045  
439/399  
2017/0345557 A1 \* 11/2017 Igarashi ..... H01F 5/06

2018/0096790 A1 \* 4/2018 Murakami ..... H01F 27/29  
2018/0211756 A1 \* 7/2018 Kuo ..... H01F 41/066  
2018/0261379 A1 \* 9/2018 Igarashi ..... H01F 27/2828  
2018/0366255 A1 \* 12/2018 Mikogami ..... H01F 41/064  
2019/0080835 A1 \* 3/2019 Shibuya ..... H01F 17/045  
2019/0244748 A1 \* 8/2019 Igarashi ..... H01F 17/04  
2019/0279815 A1 \* 9/2019 Murakami ..... H01F 41/10  
2019/0287715 A1 \* 9/2019 Igarashi ..... H01F 27/292  
2019/0318863 A1 \* 10/2019 Konishi ..... H01F 41/0206  
2020/0005993 A1 \* 1/2020 Takezawa ..... H01F 27/292

(Continued)

FOREIGN PATENT DOCUMENTS

JP 2004-146662 A 5/2004

*Primary Examiner* — Catherine S Posthauer

*Assistant Examiner* — Alison M Ofstun

(74) *Attorney, Agent, or Firm* — Oliff PLC

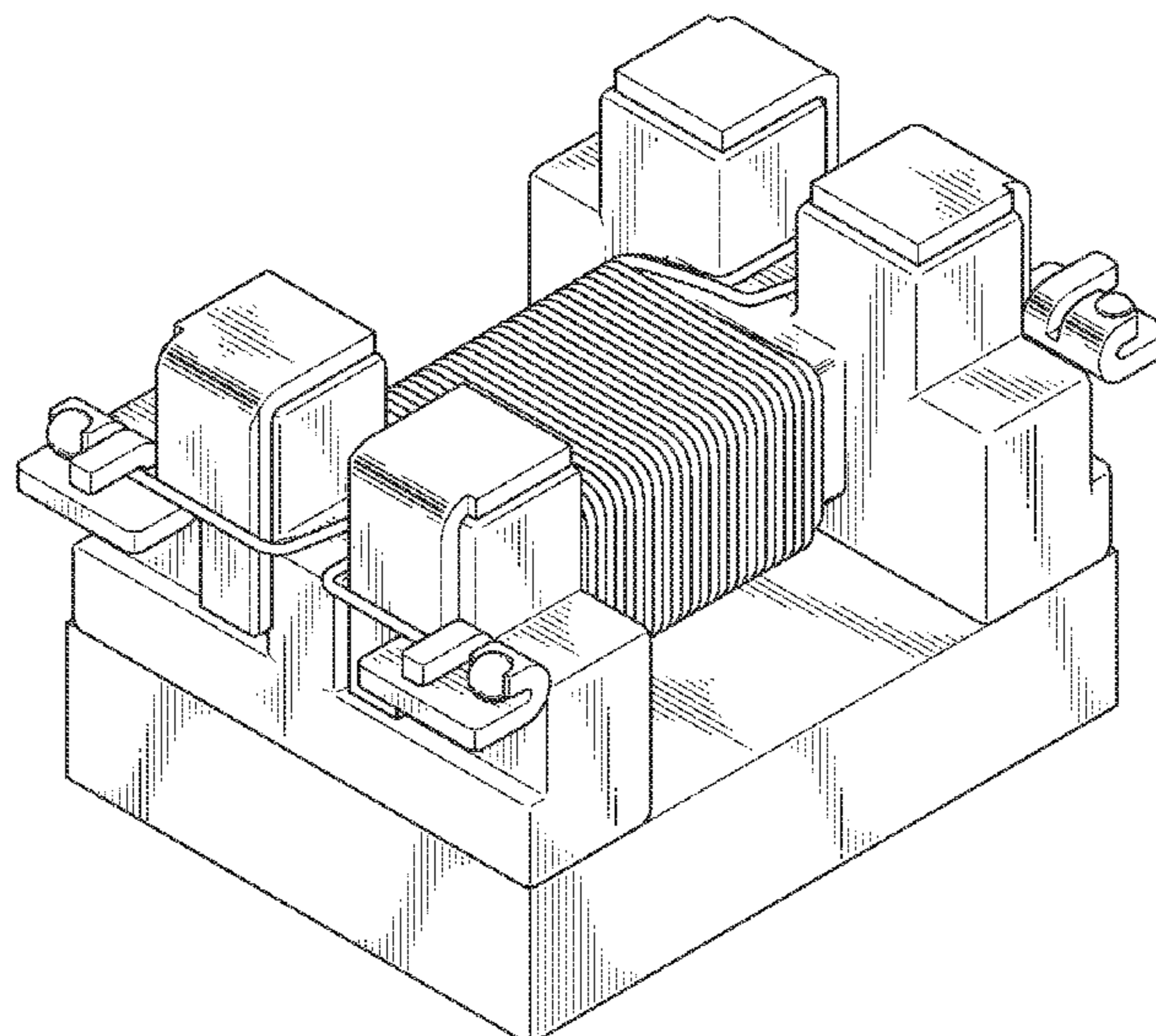
(57) **CLAIM**

The ornamental design for a coil component, as shown and described.

**DESCRIPTION**

FIG. 1 is a front view of the coil component according to a first embodiment;  
FIG. 2 is a rear view thereof;  
FIG. 3 is a left-side view thereof;  
FIG. 4 is a right-side view thereof;  
FIG. 5 is a top view thereof;  
FIG. 6 is a bottom view thereof;  
FIG. 7 is a front, left-side, top perspective view thereof;  
FIG. 8 is a front view of the coil component according to a second embodiment;  
FIG. 9 is a rear view thereof;  
FIG. 10 is a left-side view thereof;  
FIG. 11 is a right-side view thereof;  
FIG. 12 is a top view thereof;  
FIG. 13 is a bottom view thereof; and,  
FIG. 14 is a front, left-side, top perspective view thereof.

**1 Claim, 14 Drawing Sheets**



(56)

**References Cited**

U.S. PATENT DOCUMENTS

2020/0013545	A1 *	1/2020	Takahashi .....	H01F 27/245
2020/0051730	A1 *	2/2020	Hashimoto .....	H01F 17/045
2020/0066435	A1 *	2/2020	Igarashi .....	H01F 27/292
2020/0082970	A1 *	3/2020	Hashimoto .....	H01F 17/045
2020/0105451	A1 *	4/2020	Horie .....	H01F 17/045
2020/0105464	A1 *	4/2020	Kobayashi .....	H01F 17/045
2020/0203052	A1 *	6/2020	Murakami .....	H01F 27/29

\* cited by examiner

FIG. 1

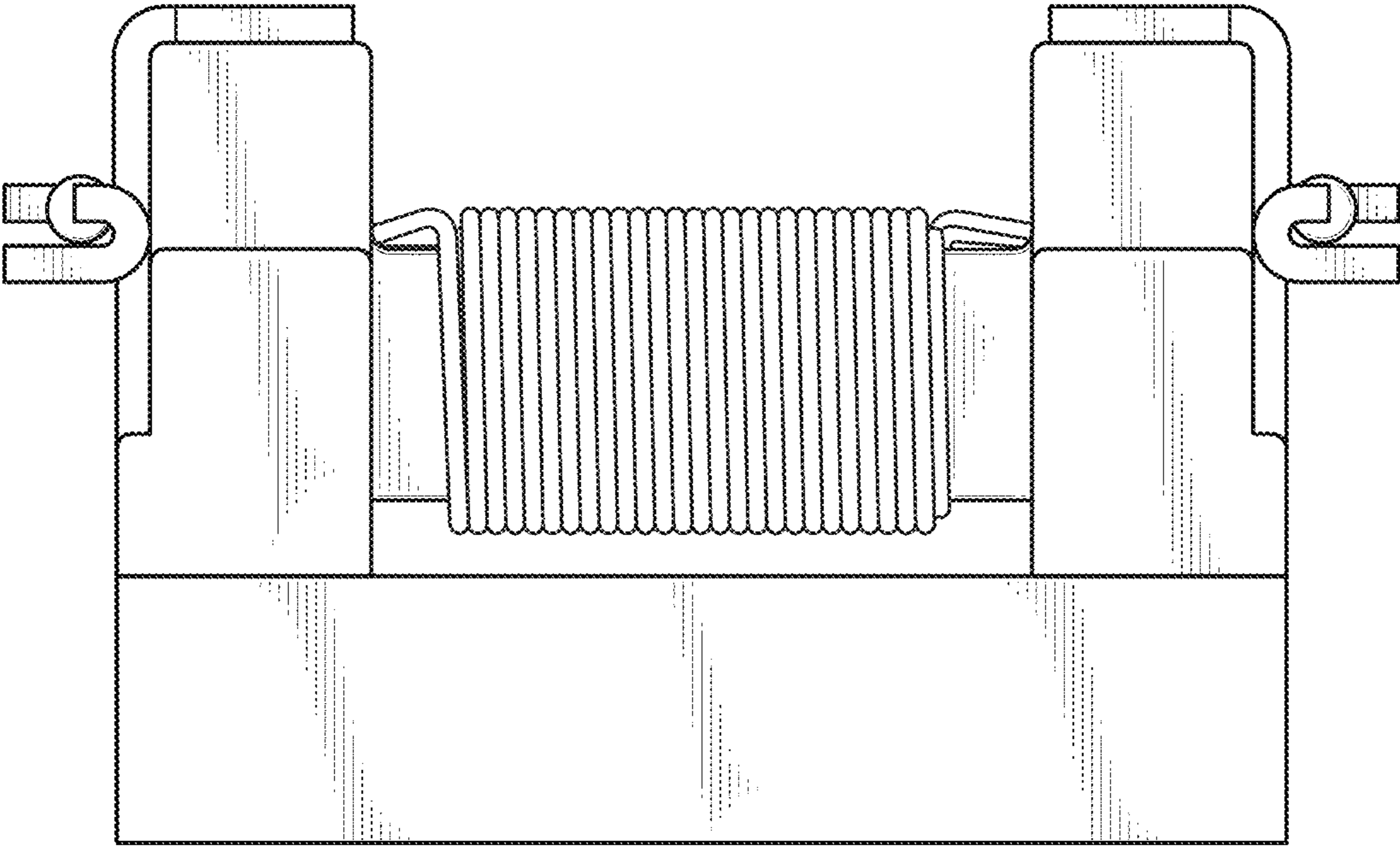


FIG. 2

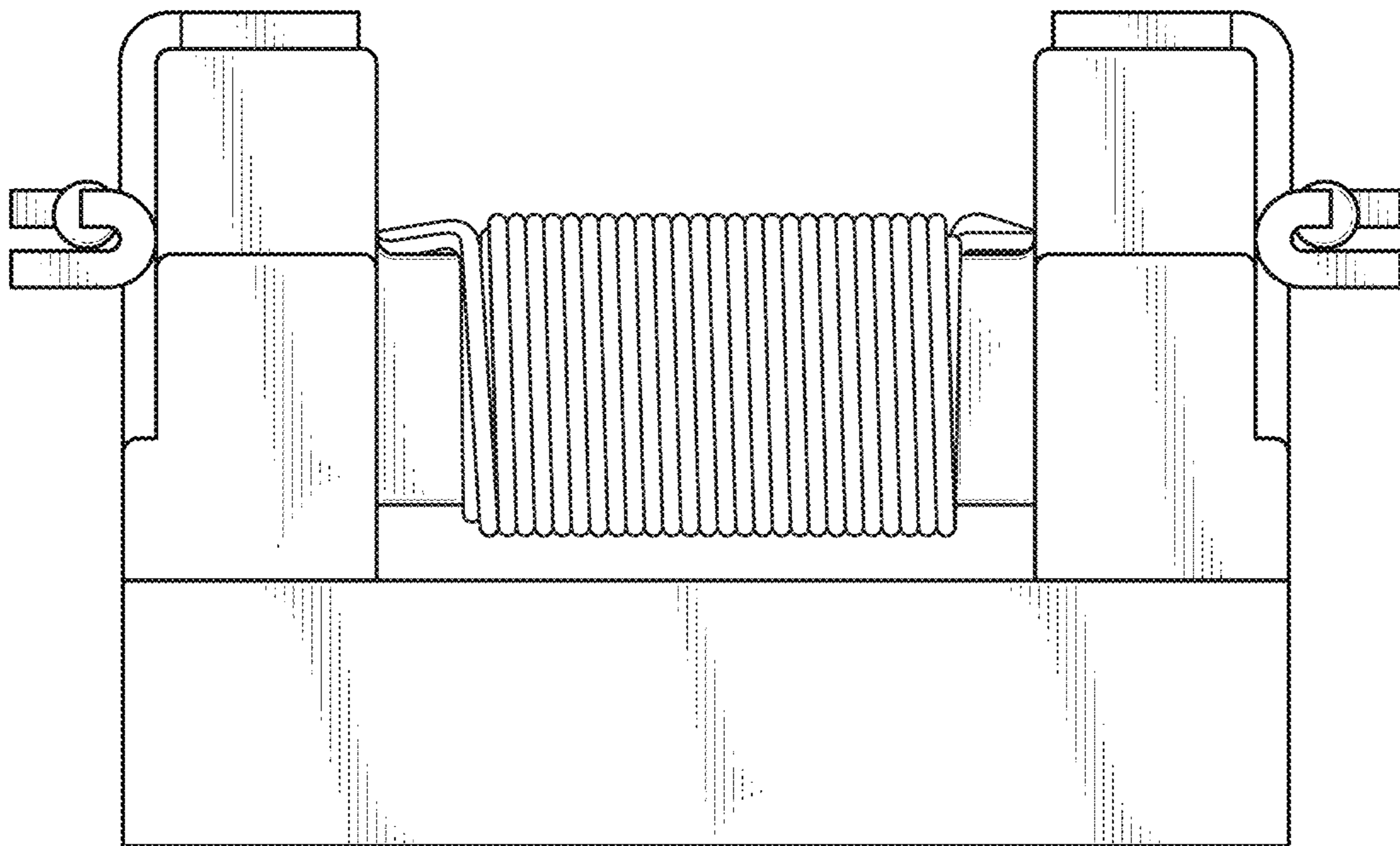


FIG. 3

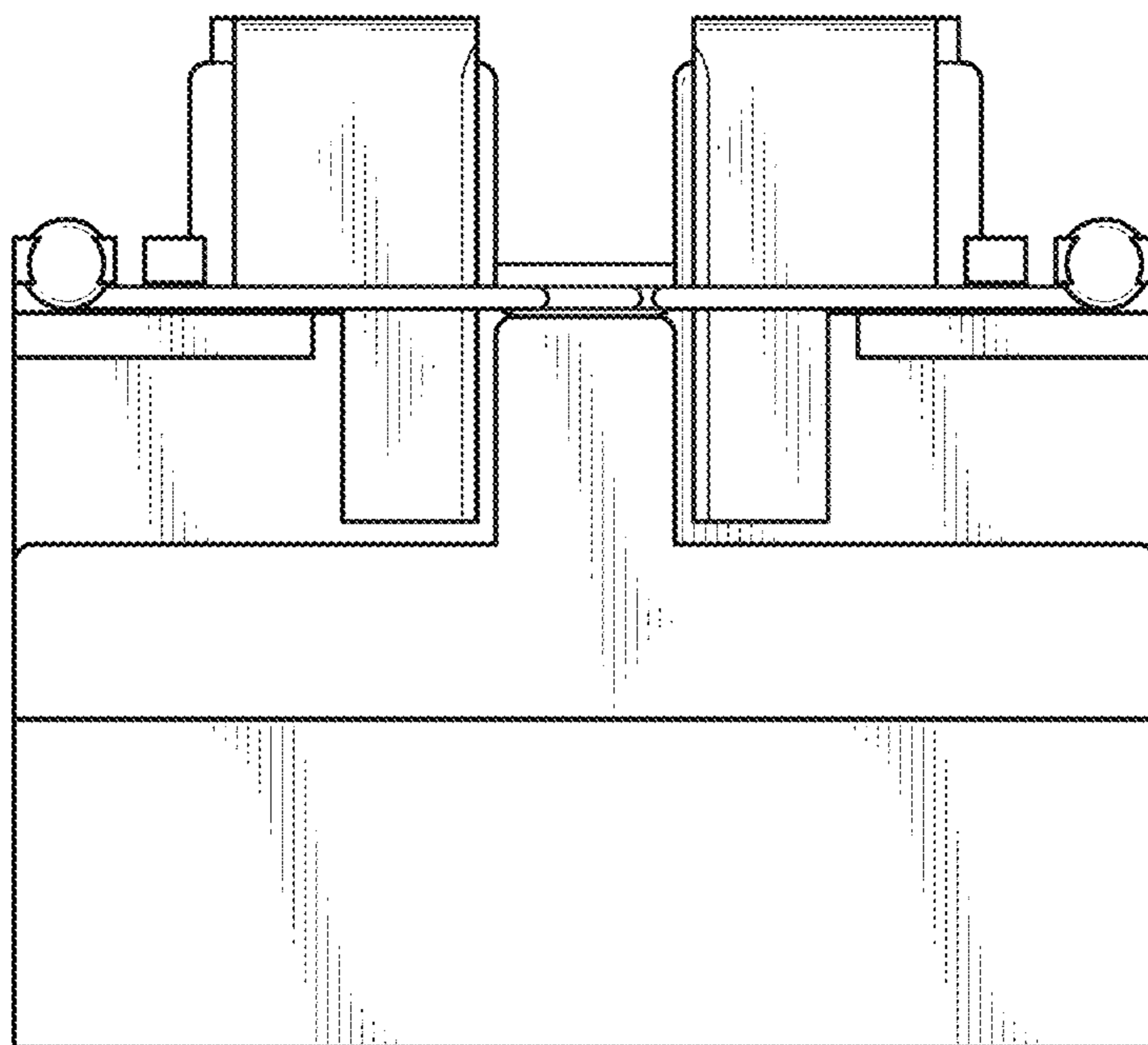
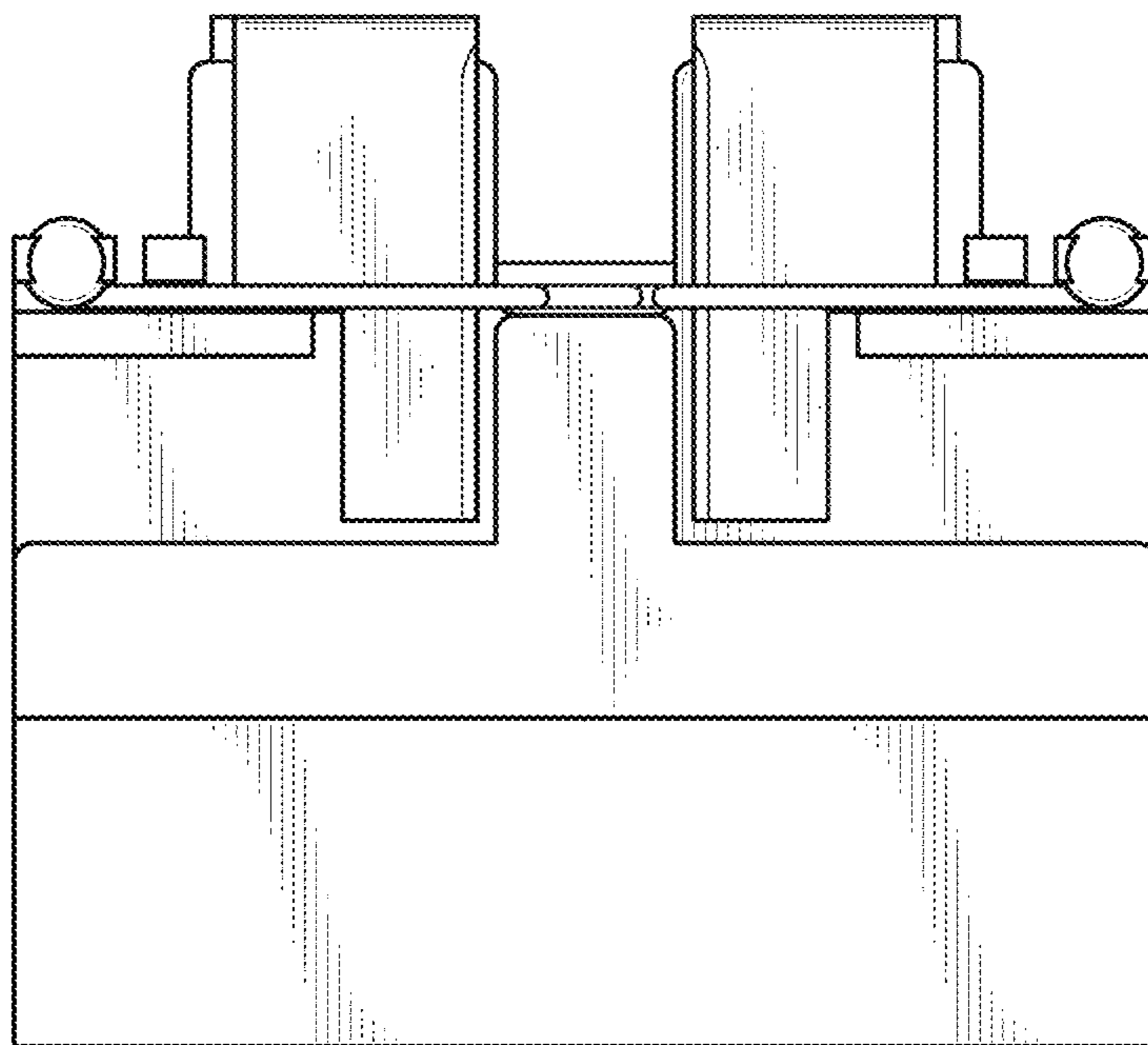




FIG. 4



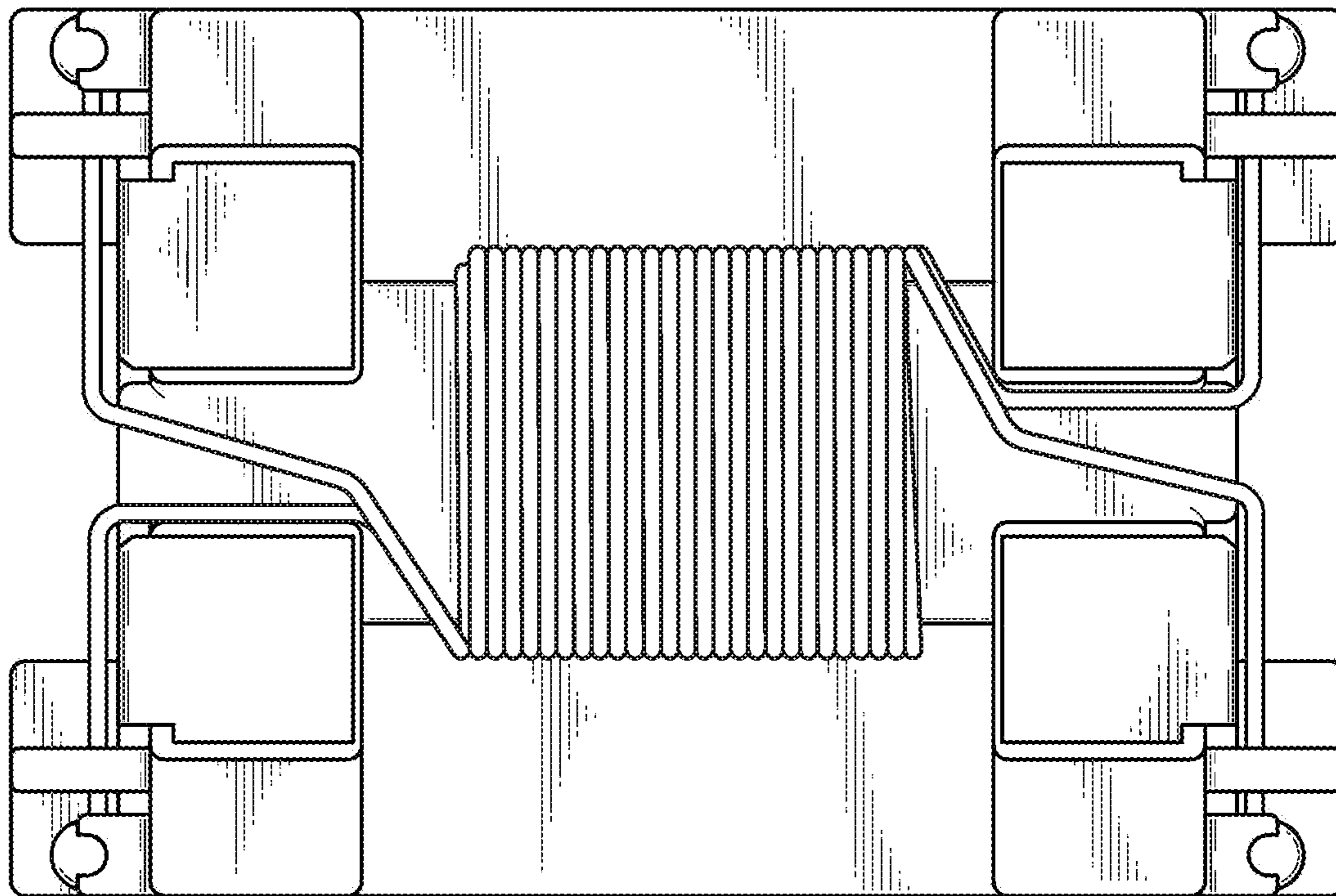


FIG. 5

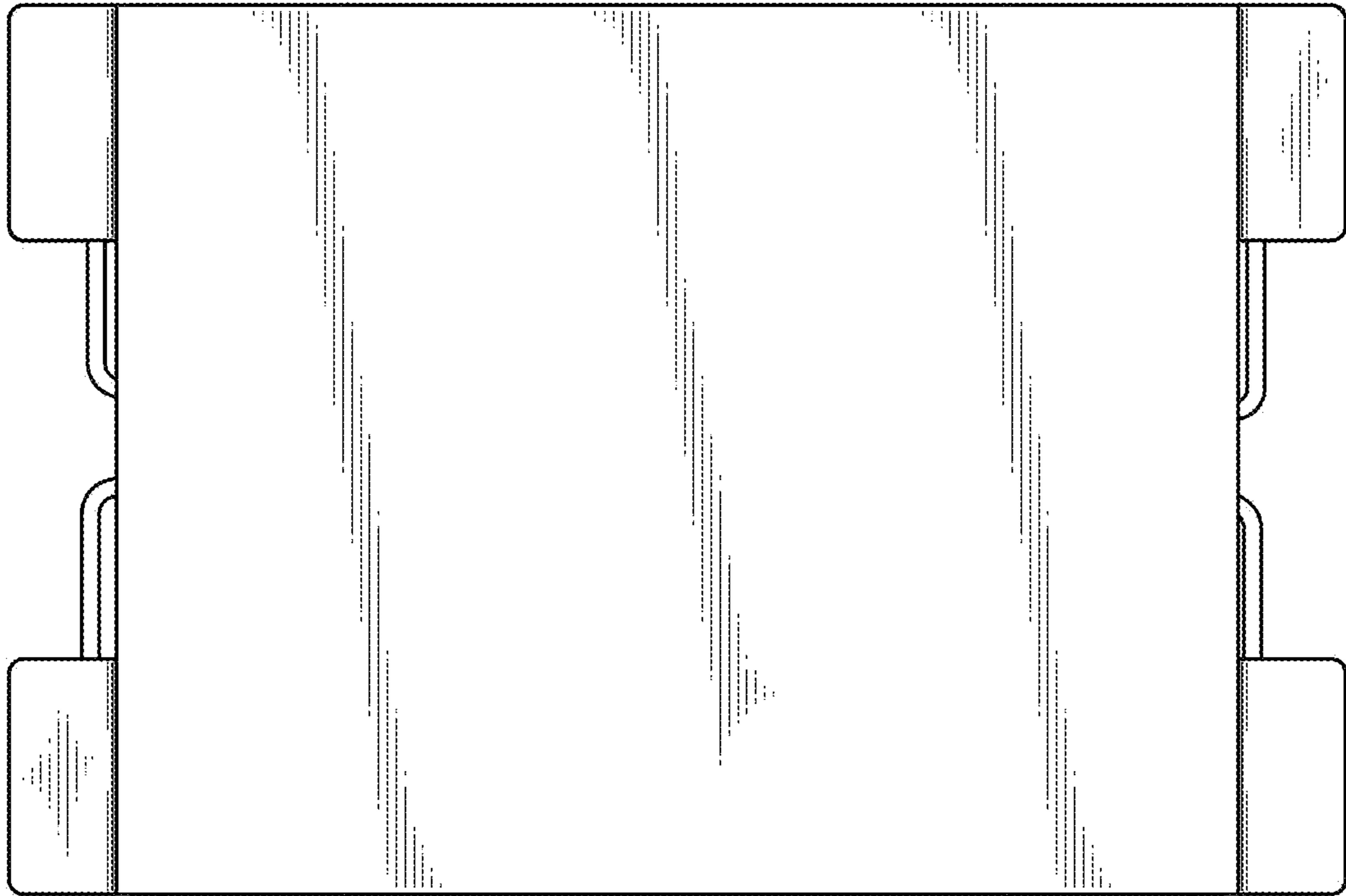


FIG. 6



FIG. 7

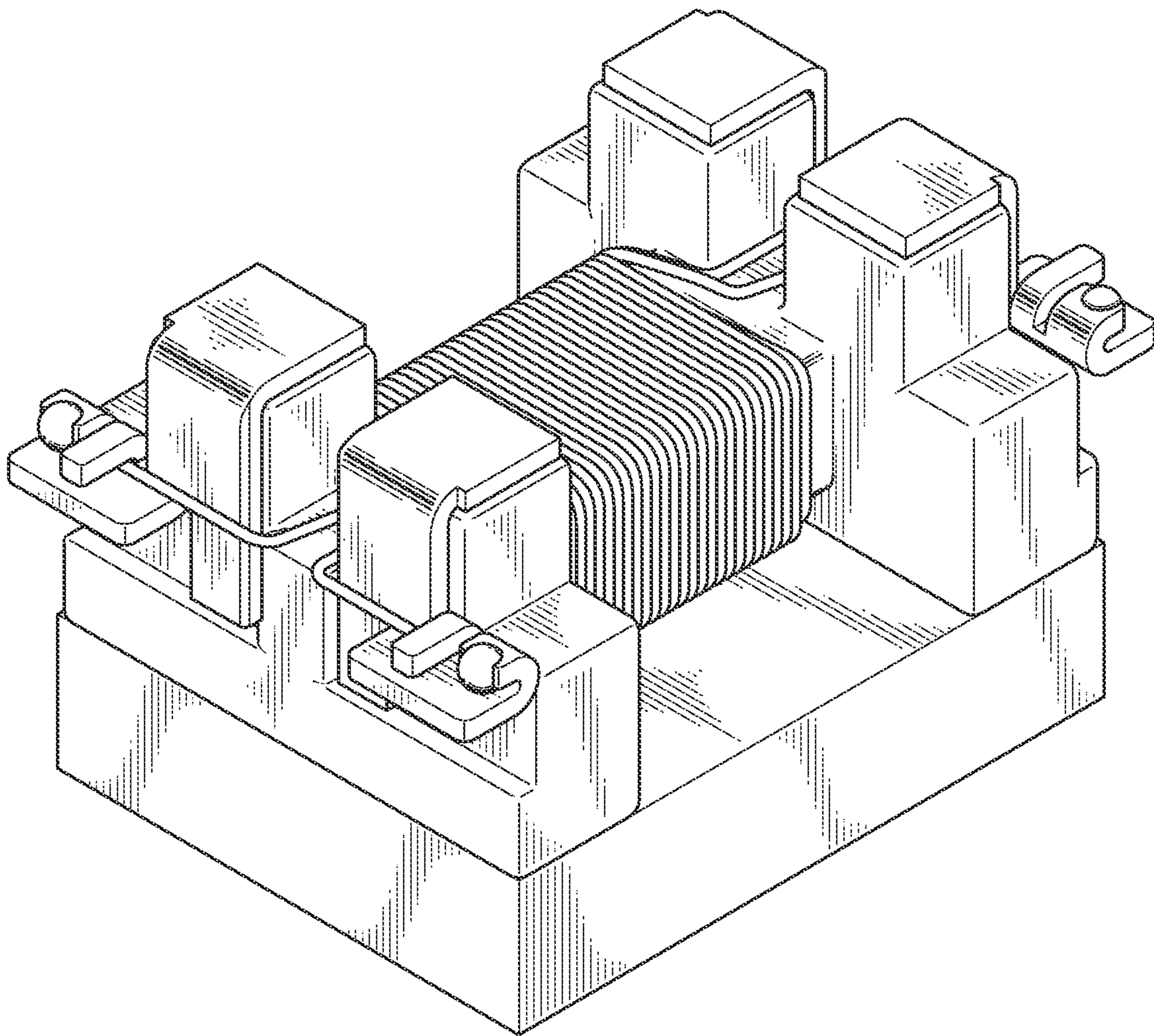


FIG. 8

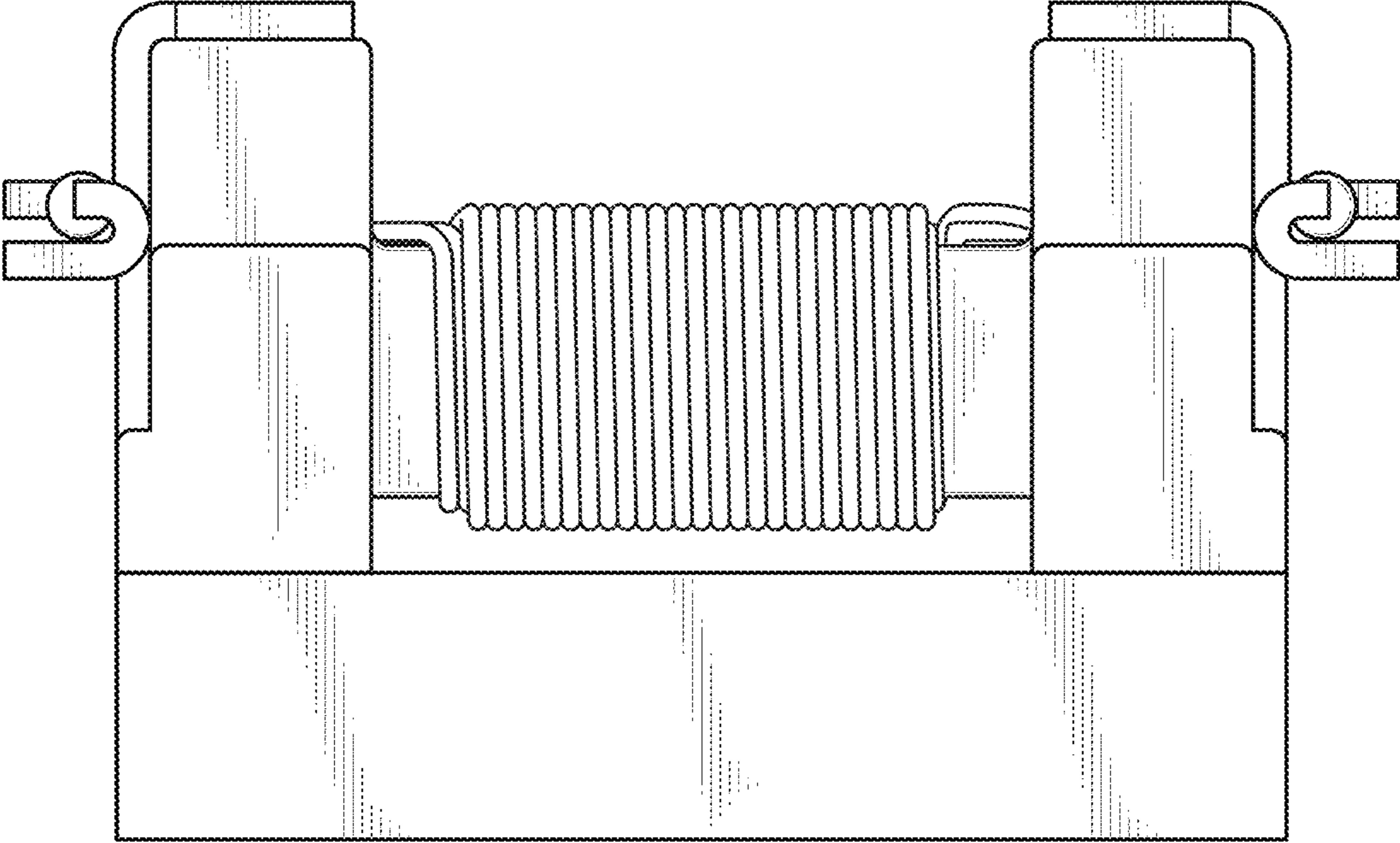


FIG. 9

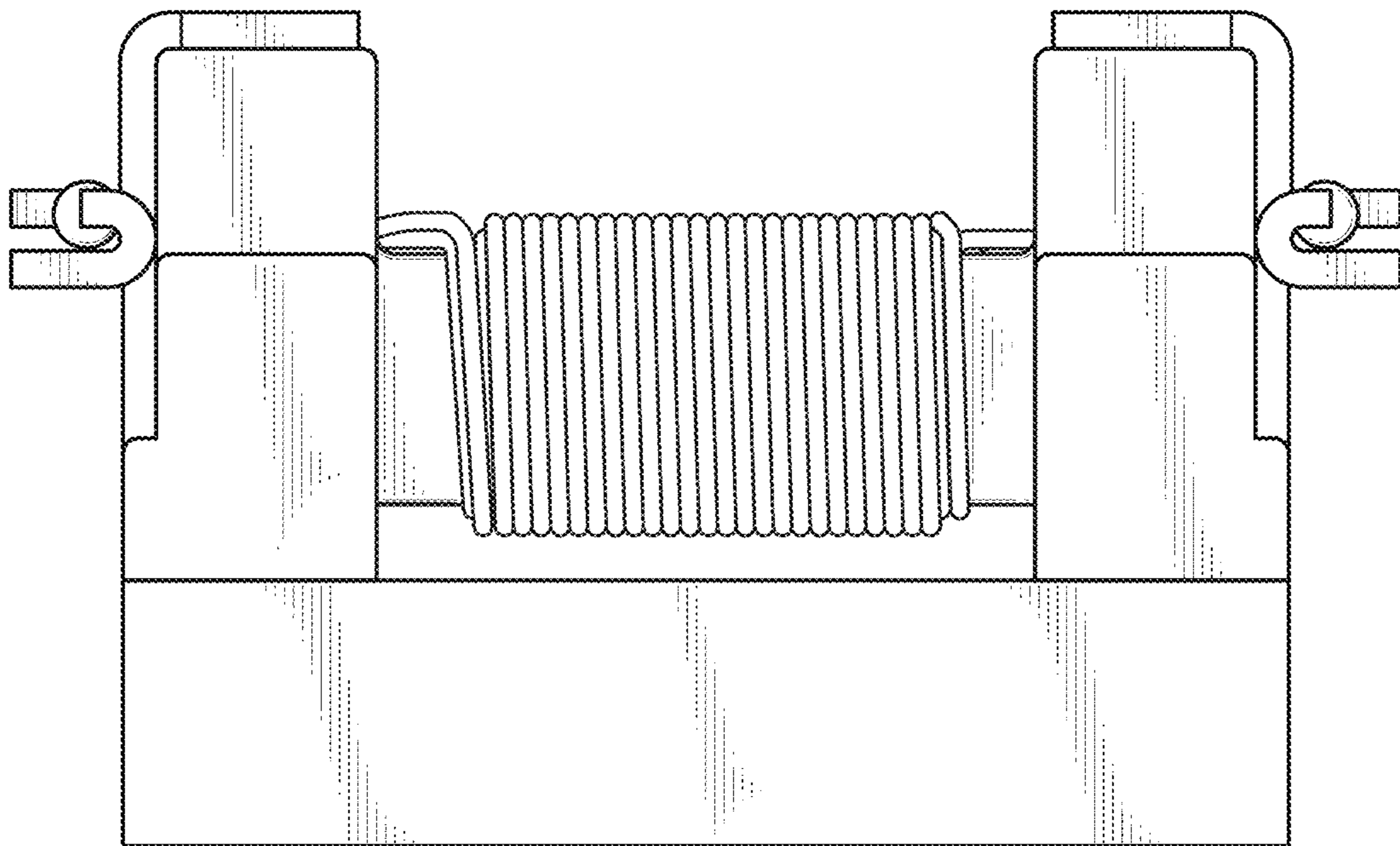


FIG. 10

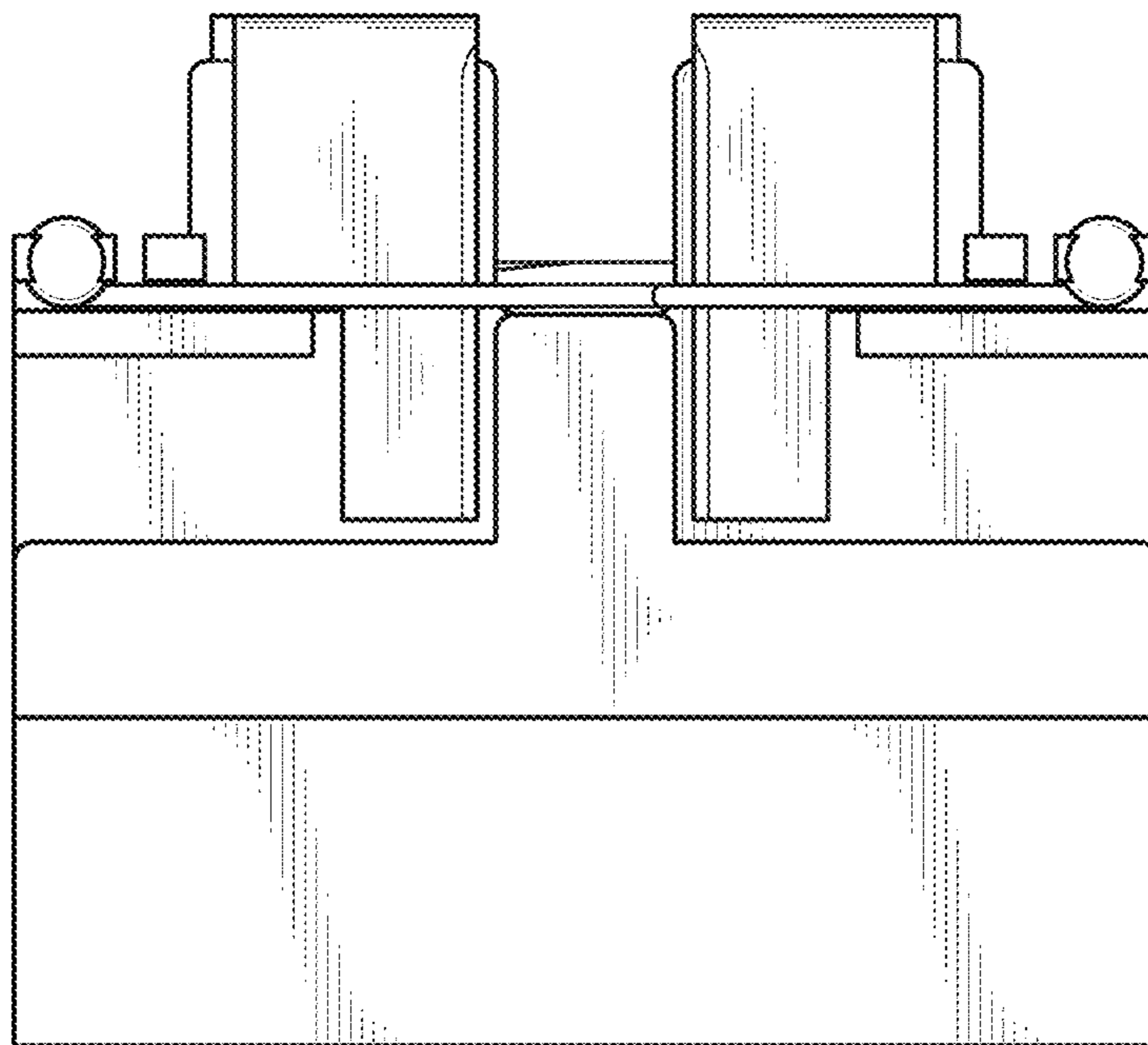


FIG. 11

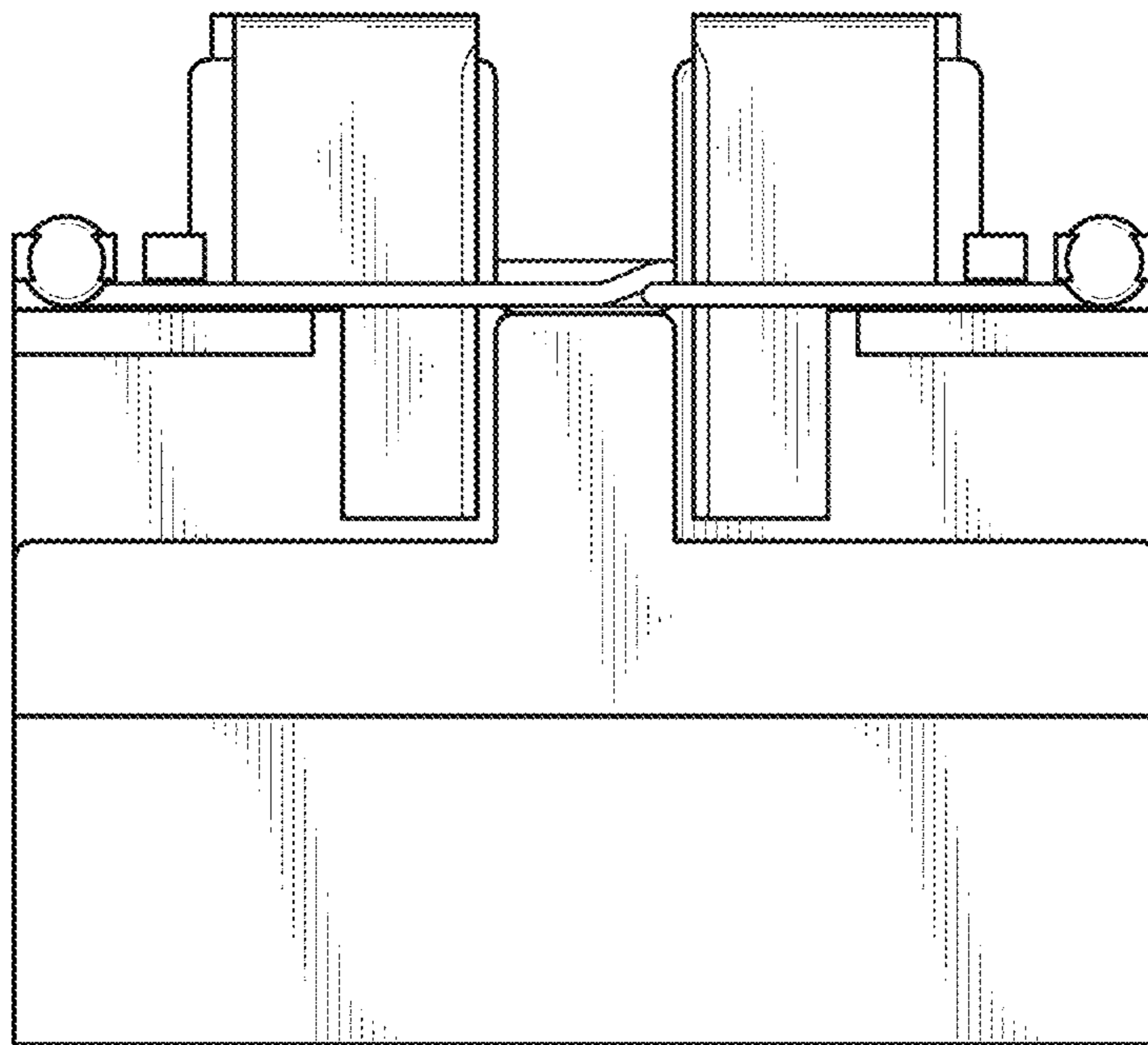




FIG. 12

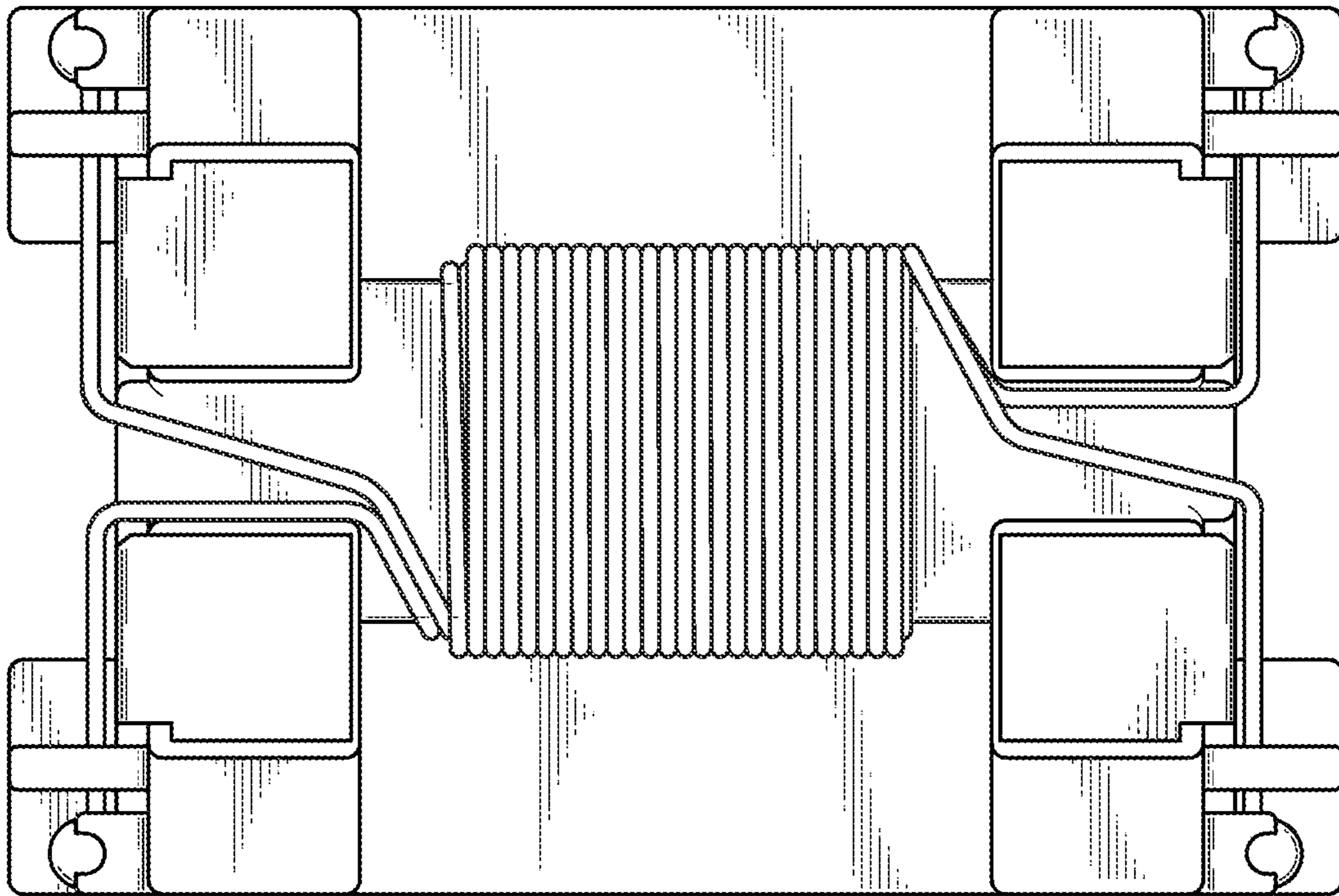


FIG. 13

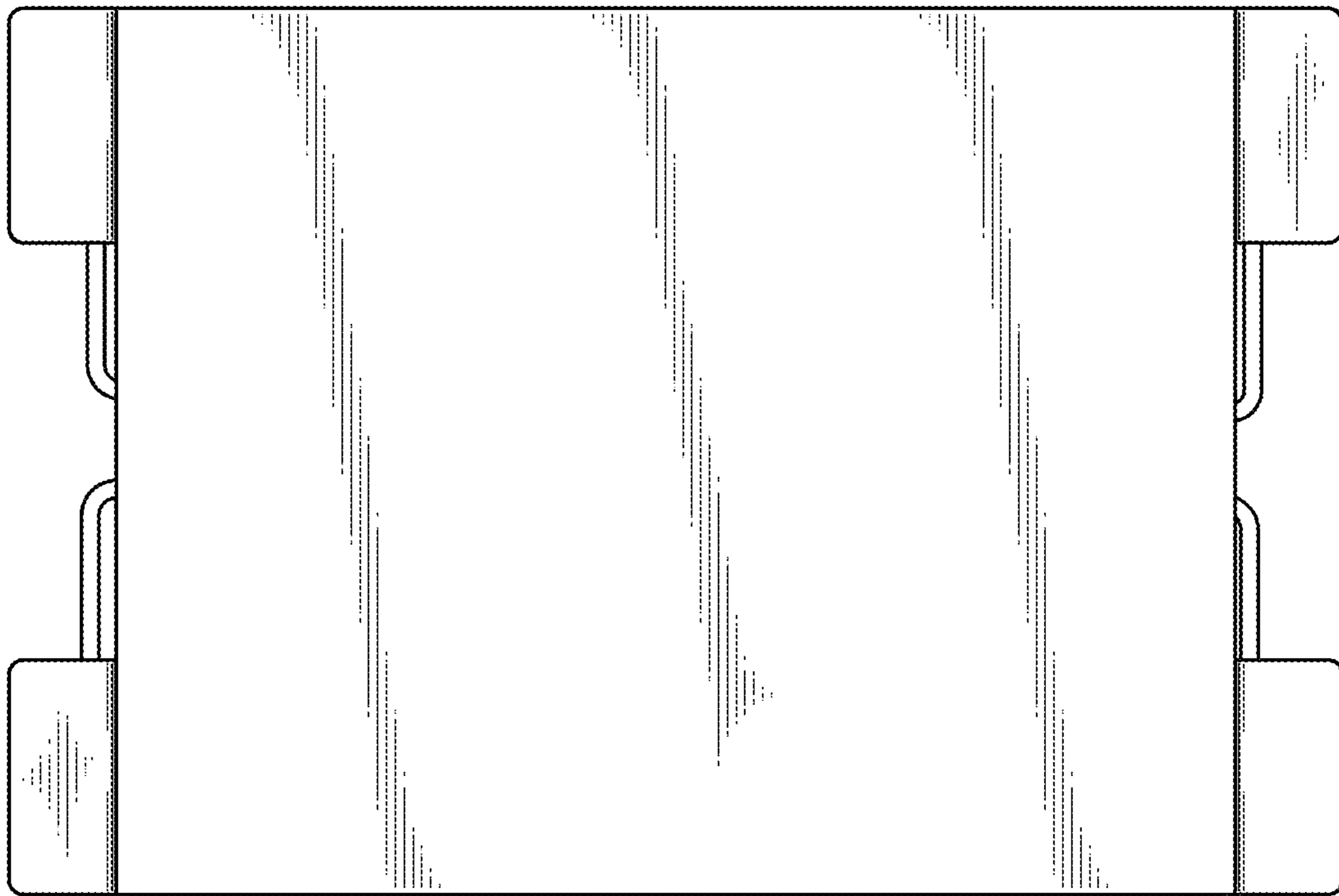


FIG. 14

