



US00D918833S

(12) **United States Design Patent** (10) **Patent No.:** **US D918,833 S**  
**Ashley et al.** (45) **Date of Patent:** **\*\* May 11, 2021**

(54) **POWER INTERFACE MODULE**  
(71) Applicant: **M-Edge International Corporation**, Hanover, MD (US)  
(72) Inventors: **Adam R. Ashley**, Crownsville, MD (US); **Joshua B. King**, Linthicum Heights, MD (US); **Serge H. Seferian**, Chicago, IL (US)  
(73) Assignee: **M-Edge International Corporation**, Hanover, MD (US)  
(\*\*) Term: **15 Years**  
(21) Appl. No.: **29/649,667**  
(22) Filed: **May 31, 2018**  
(51) **LOC (13) Cl.** ..... **13-02**  
(52) **U.S. Cl.**  
USPC ..... **D13/110**  
(58) **Field of Classification Search**  
USPC ..... D13/103, 107, 108, 110, 133, D13/137.1-137.4, 138.1-138.2, D13/139.1-139.8, 146, 147, 151-156, D13/173, 177, 199; D14/432, 433, 435.1, D14/250; D23/231, 232; D15/7-9; D8/350, 353-356  
CPC ..... H01R 11/00; H01R 9/00; H01R 13/00; H01R 13/04; H01R 13/10; H01R 13/6666; H01R 13/6675; H01R 25/00; H01R 25/006; H01H 2207/00; H01H 2207/022; Y02E 60/12; Y02E 60/122; Y02E 60/124; Y02E 60/50; H01M 2/02; H01M 2/022; H01M 2/0202; H01M 2/0207; H01M 2/0212; H01M 2/1061; H01M 2/1022; H01M 2/1055; H01M 2/1066; H01M 2/105; H01M 2/204; H02J 7/00; H02J 7/0003; H02J 7/0011; H02J 7/0013; H02J 7/0054; H02J 7/0055; H02J 7/0057; Y02T 10/7005; Y02T 10/705; Y02T 10/7088; B60L 11/1809; B60L 11/1861

See application file for complete search history.

(56) **References Cited**

U.S. PATENT DOCUMENTS

D363,064	S	*	10/1995	Rogov	.....	D14/433
D381,640	S	*	7/1997	Drennan	.....	D14/407
D470,848	S	*	2/2003	Morooka	.....	D14/433
D478,086	S	*	8/2003	Chuang	.....	D13/110
D563,943	S	*	3/2008	Watanabe	.....	D14/188
D570,845	S	*	6/2008	Liu	.....	D14/433
D581,428	S	*	11/2008	Huang	.....	D14/356
D612,329	S	*	3/2010	Guccione	.....	D13/108
D629,746	S	*	12/2010	Workman	.....	D13/103
D651,564	S	*	1/2012	Workman	.....	D13/108
D682,777	S	*	5/2013	Gupta	.....	D13/103
D692,378	S	*	10/2013	Esses	.....	D13/110
8,593,108	B2		11/2013	Ferber et al.		
D701,490	S	*	3/2014	Inskeep	.....	D13/110
D701,838	S	*	4/2014	Esses	.....	D13/108

(Continued)

*Primary Examiner* — Rosemary K Tarcza  
*Assistant Examiner* — Christy M Nemeth  
(74) *Attorney, Agent, or Firm* — Christopher J. Scott

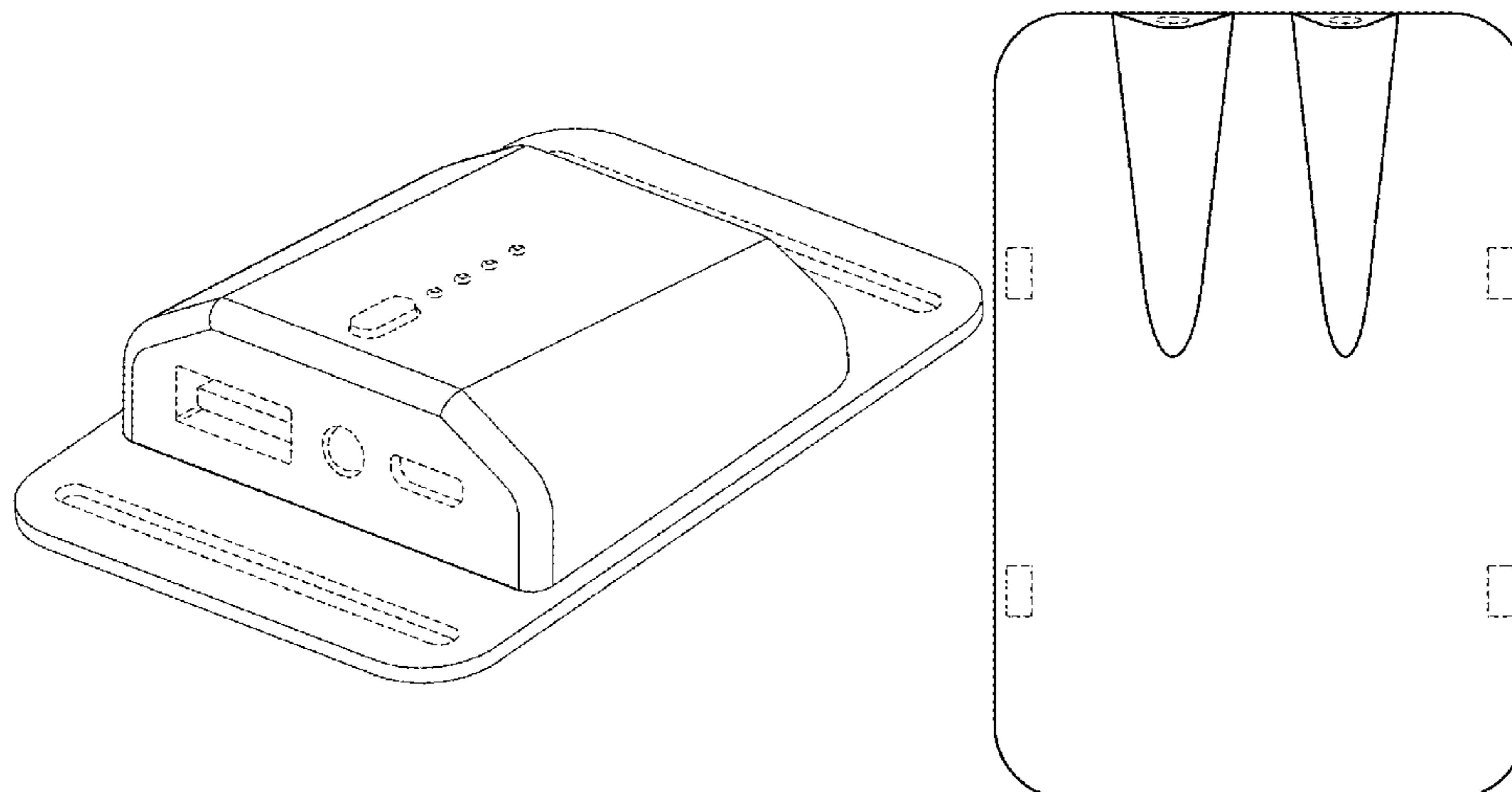
(57) **CLAIM**

The ornamental design for a power interface module, as shown and described.

**DESCRIPTION**

FIG. 1 is a front perspective view of a power interface module of our design;  
FIG. 2 is a front plan thereof;  
FIG. 3 is a rear plan thereof;  
FIG. 4 is a left side view thereof;  
FIG. 5 is a right side view thereof;  
FIG. 6 is a bottom plan view thereof; and,  
FIG. 7 is a top plan view thereof.  
All broken lines and the portions within illustrate portions of the article that form no part of the claimed design.

**1 Claim, 5 Drawing Sheets**



(56)

References Cited

U.S. PATENT DOCUMENTS

D705,719 S *	5/2014	Wong	D13/103
D708,571 S *	7/2014	Ji	D13/103
D718,306 S *	11/2014	Mehin	D14/372
D720,755 S *	1/2015	Nokuo	D14/433
D751,985 S *	3/2016	Curry	D13/103
D769,188 S *	10/2016	Miller	D13/107
D769,877 S *	10/2016	Akana	D14/433
D775,070 S *	12/2016	Lei	D13/107
D786,790 S *	5/2017	Miller	D13/108
D792,409 S *	7/2017	Shim	D14/435
D797,044 S *	9/2017	Miller	D13/108
D797,663 S *	9/2017	Miller	D13/107
D797,747 S *	9/2017	Xu	D14/433
D803,779 S *	11/2017	Jung	D13/107
D808,972 S *	1/2018	Magi	D14/436
D813,803 S *	3/2018	Massar	D13/108
D814,412 S *	4/2018	Georgiades	D13/108
D815,036 S *	4/2018	Martorell	D13/108
D816,029 S *	4/2018	Dai	D13/108
D816,606 S *	5/2018	Georgiades	D13/108
D819,022 S *	5/2018	Shim	D14/363
D821,972 S *	7/2018	Wei	D13/108
D822,655 S *	7/2018	Akana	D14/341
D824,328 S *	7/2018	Liu	D13/108
D824,329 S *	7/2018	Conocenti	D13/108
D825,455 S *	8/2018	Liu	D13/103
D828,354 S *	9/2018	Chuang	D14/433
D828,356 S *	9/2018	Xie	D14/433
D829,213 S *	9/2018	Szeremeta	D14/432
D829,719 S *	10/2018	Shim	D14/435
D833,411 S *	11/2018	Castle	D14/155
D836,543 S *	12/2018	Sun	D13/108
D837,790 S *	1/2019	Wu	D14/435
D838,669 S *	1/2019	Miller	D13/108
D841,652 S *	2/2019	Akana	D14/433
D843,998 S *	3/2019	Bolotin	D14/365
10,224,728 B1 *	3/2019	Ashley	H04B 1/385
D844,560 S *	4/2019	Miller	D13/108
D847,112 S *	4/2019	Castle	D14/155
D847,811 S *	5/2019	Shim	D14/356
D851,586 S *	6/2019	Liu	D13/108
D853,322 S *	7/2019	Xu	D13/108
D853,396 S *	7/2019	Kong	D14/434
D853,958 S *	7/2019	Lei	D13/108
D853,959 S *	7/2019	Miller	D13/108
D862,384 S *	10/2019	Jen	D13/108
D862,385 S *	10/2019	Turksu	D13/108
D864,861 S *	10/2019	Roberts	D13/108
D864,964 S *	10/2019	Lyu	D14/433
D864,966 S *	10/2019	Sang	D14/434
D864,969 S *	10/2019	Magi	D14/436
D864,970 S *	10/2019	Magi	D14/436
D866,557 S *	11/2019	Xiong	D14/433
D867,280 S *	11/2019	Chen	D13/103
D867,368 S *	11/2019	Magi	D14/436
D867,369 S *	11/2019	Magi	D14/436
D869,392 S *	12/2019	Roberts	D13/108
D869,411 S *	12/2019	Wang	D14/125
D869,467 S *	12/2019	Lin	D14/434
D871,324 S *	12/2019	Roberts	D13/108
D871,329 S *	12/2019	Chen	D13/108
D872,011 S *	1/2020	Rao	D13/107
D872,012 S *	1/2020	Rao	D13/107
D877,070 S *	3/2020	Lemelson	D13/108
D879,716 S *	3/2020	Chuang	D13/110
D881,807 S *	4/2020	Xu	D13/108
10,629,943 B2 *	4/2020	Pasma	H01M 10/0436
2009/0224722 A1	9/2009	Causey	
2011/0006729 A1	1/2011	Matthias	
2014/0274204 A1	9/2014	Williams	
2016/0072323 A1 *	3/2016	Miller	H02J 7/007 320/105
2017/0012448 A1 *	1/2017	Miller	H02J 7/0031

\* cited by examiner

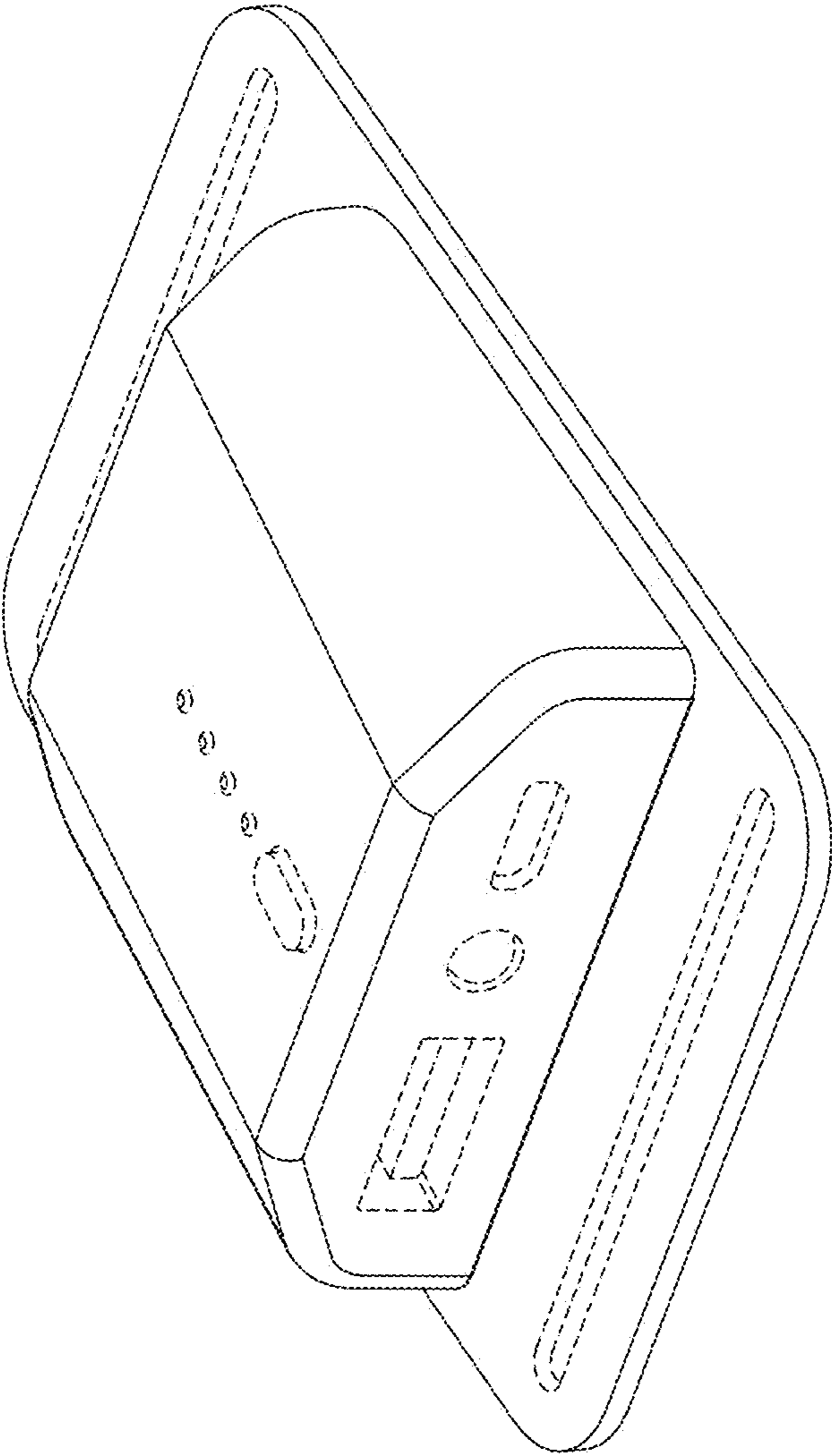


FIG. 1

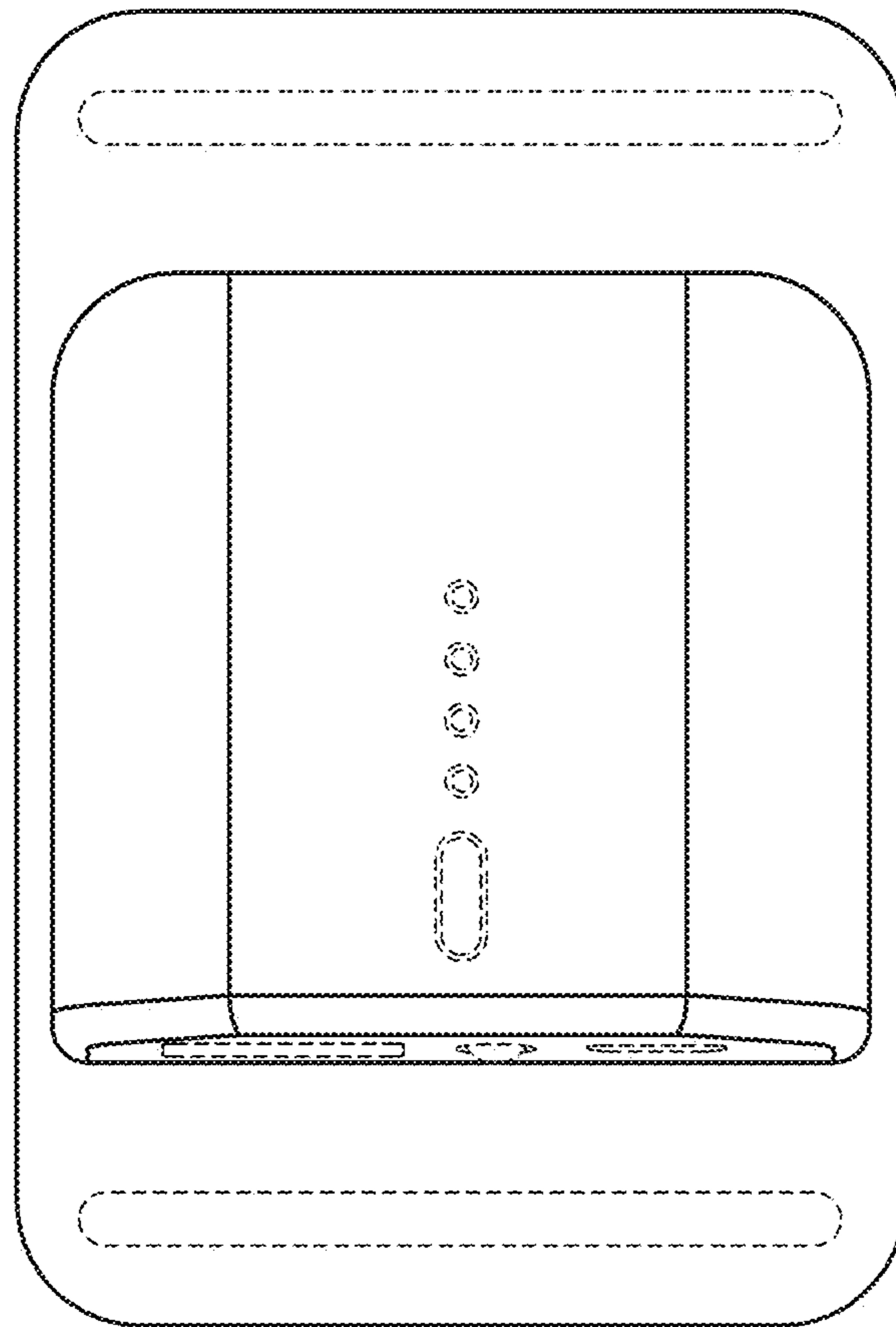


FIG. 2

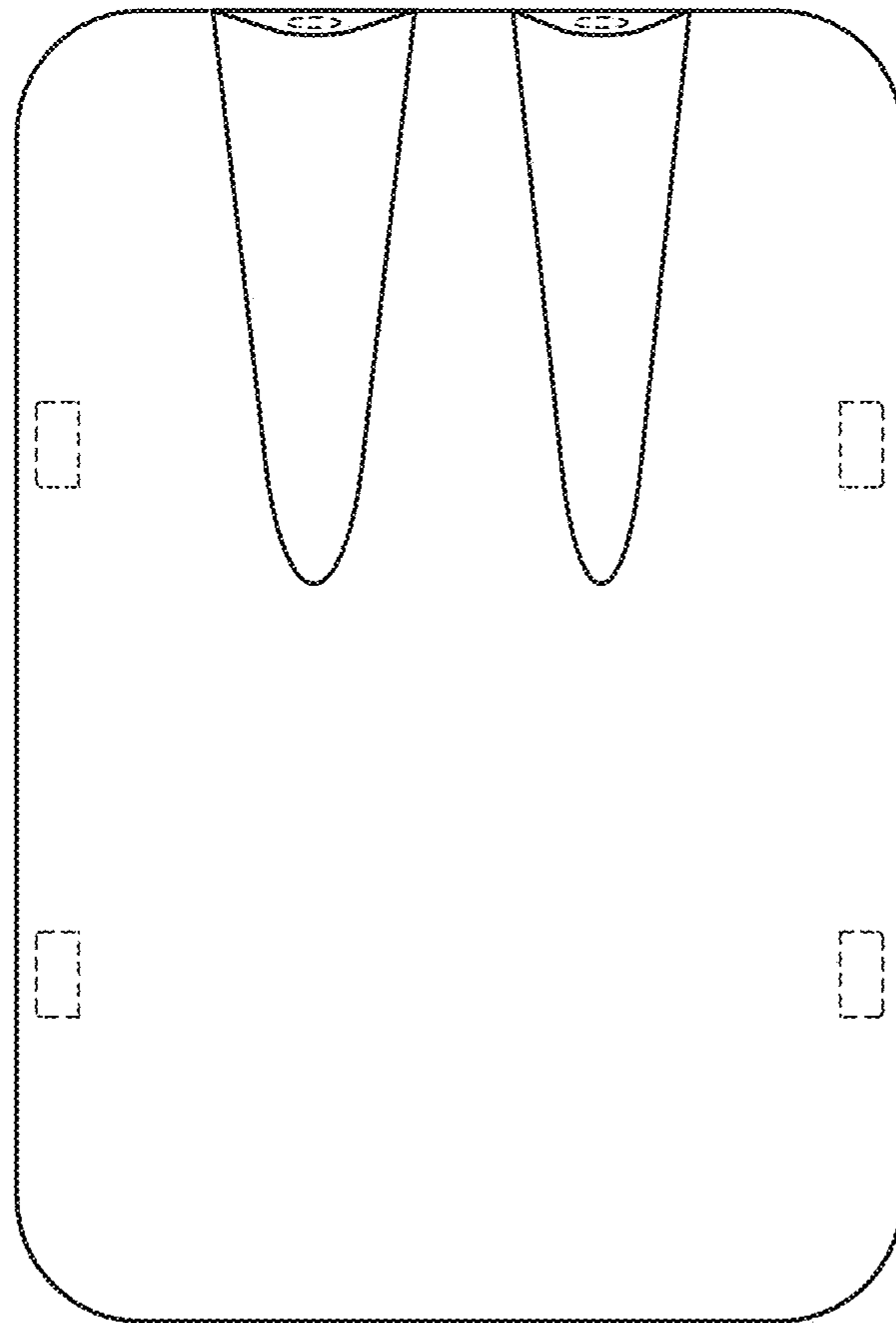


FIG. 3

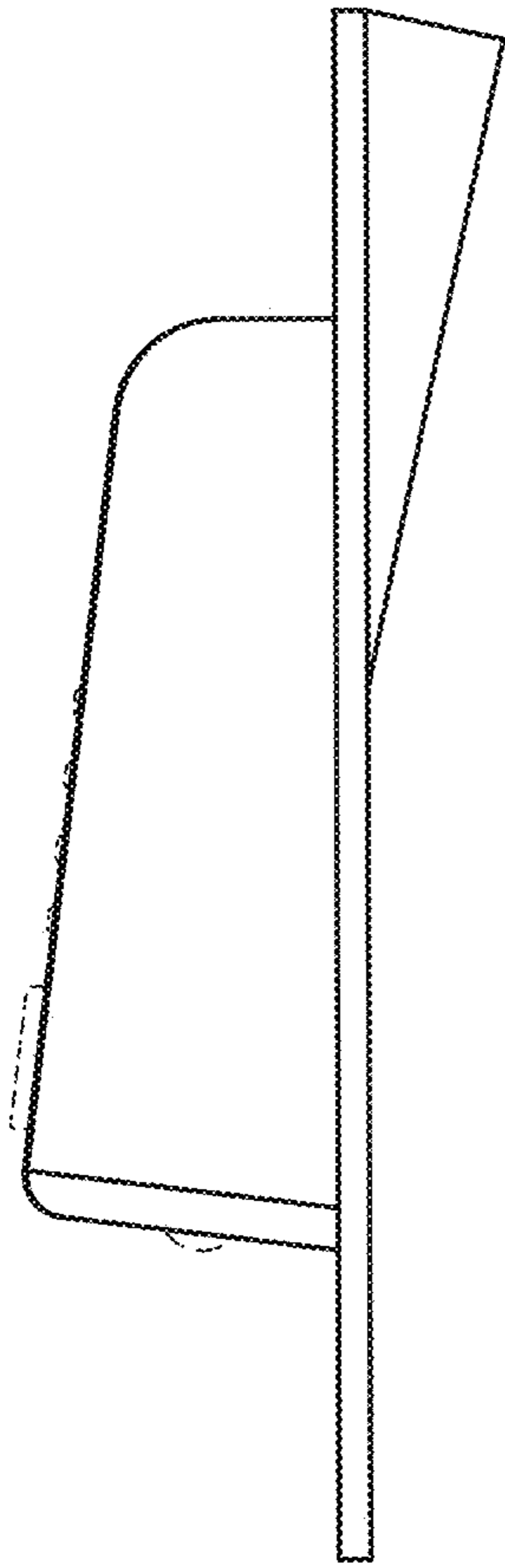


FIG. 4

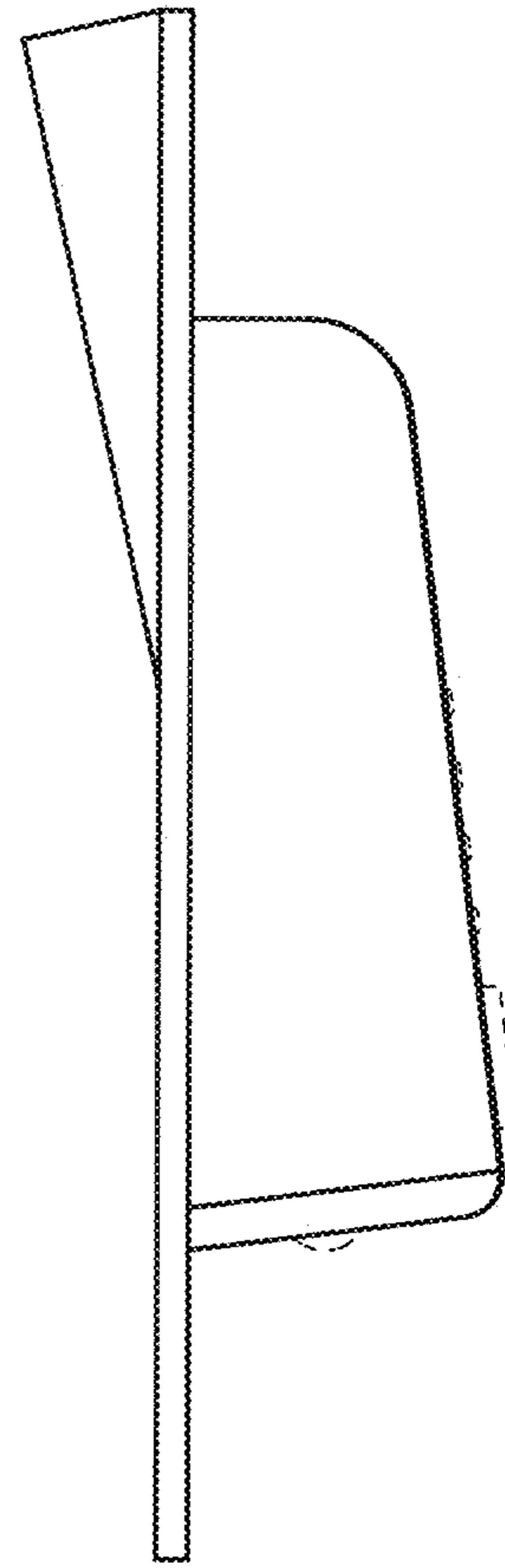


FIG. 5

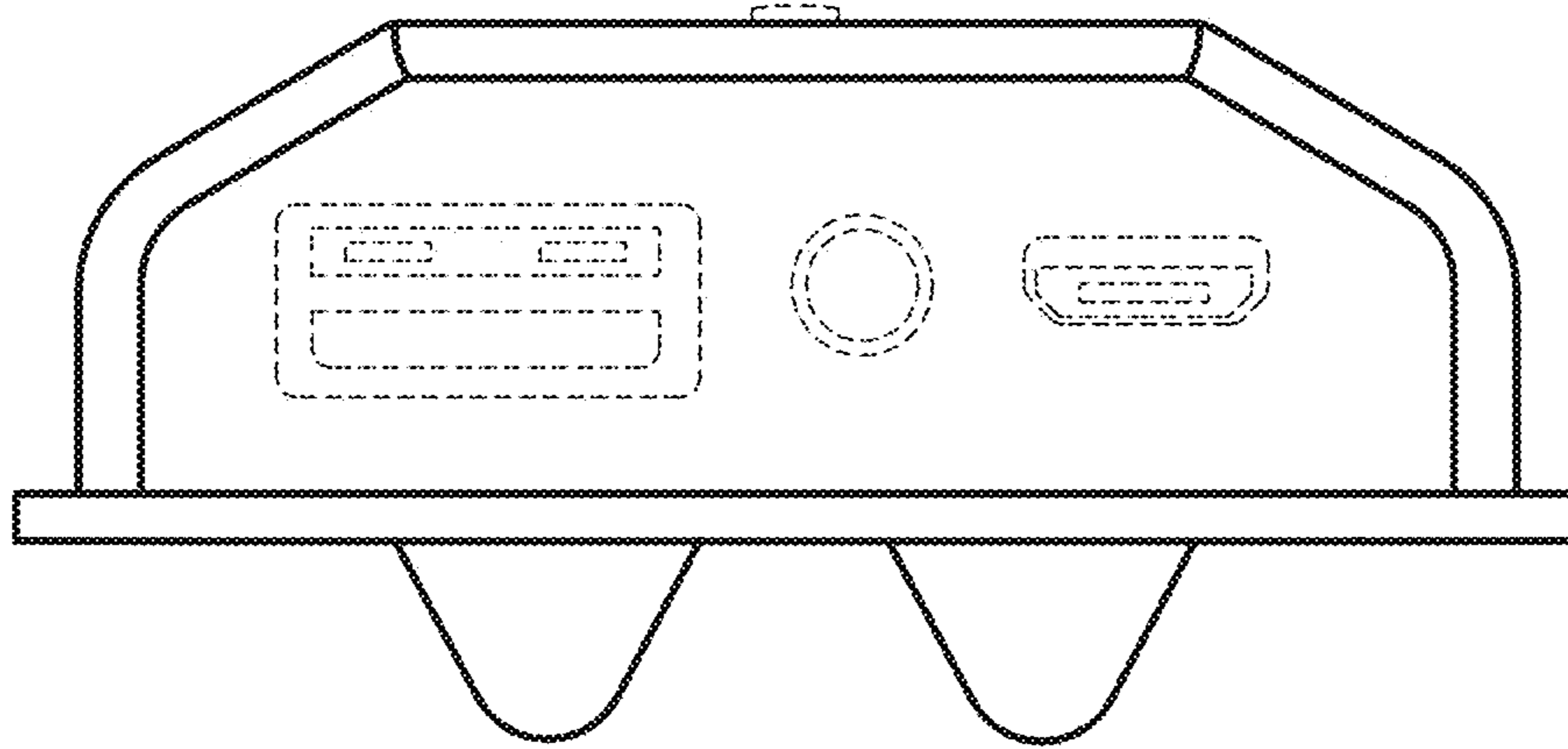


FIG. 6

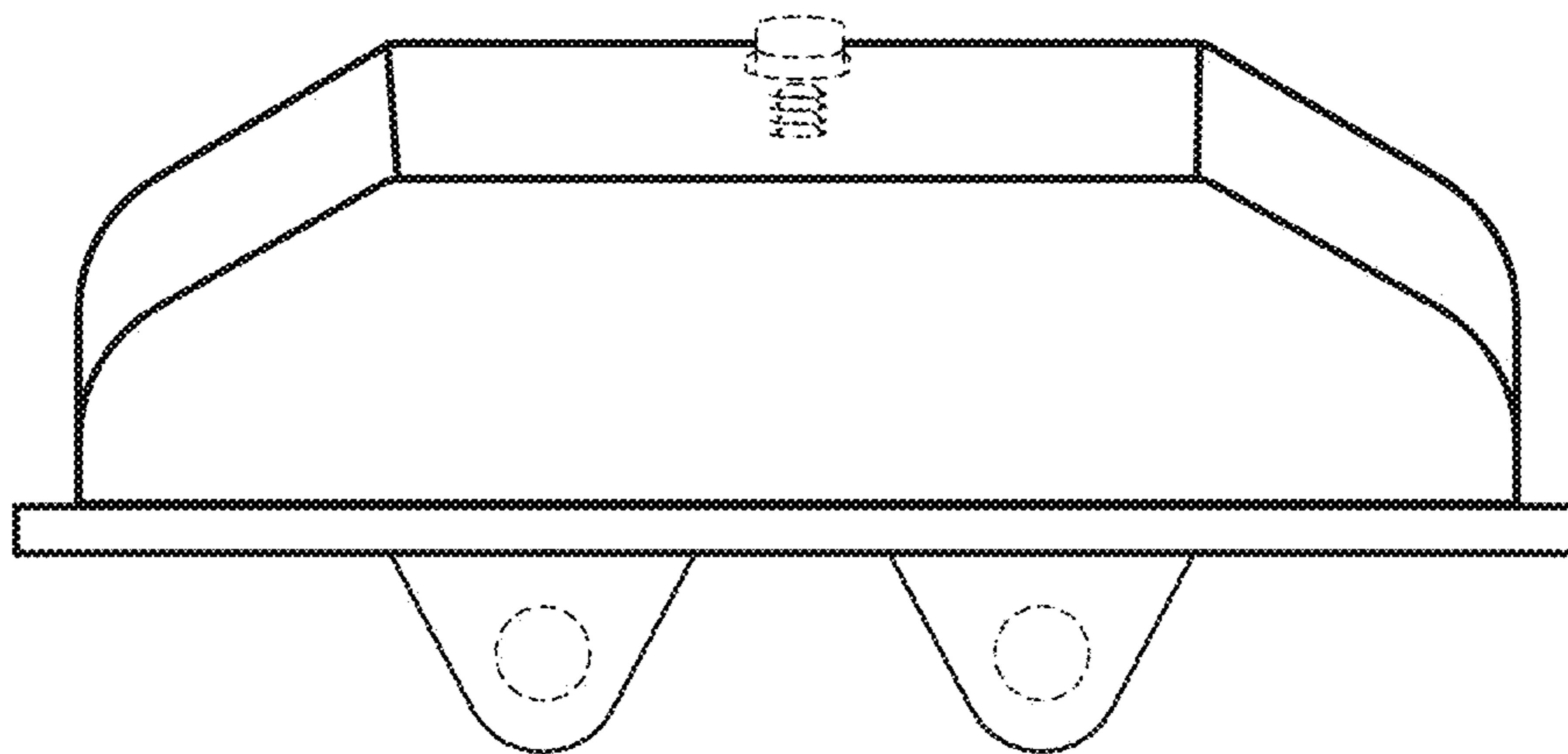


FIG. 7