



US00D918832S

(12) **United States Design Patent** (10) **Patent No.:** **US D918,832 S**
Shen et al. (45) **Date of Patent:** **** May 11, 2021**

(54) **BATTERY**

(56) **References Cited**

(71) Applicant: **ZEBRA TECHNOLOGIES CORPORATION**, Lincolnshire, IL (US)
(72) Inventors: **Mu-Kai Shen**, Taipei (TW); **Edward M. Voli**, East Setauket, NY (US); **I-Heng Tsai**, Taipei (TW); **Man-Ching Yen**, Taipei (TW)
(73) Assignee: **Zebra Technologies Corporation**, Lincolnshire, IL (US)

U.S. PATENT DOCUMENTS

D285,569 S *	9/1986	Reitz	D14/438
D303,524 S	9/1989	Siegner et al.	
D397,670 S	9/1998	Davies et al.	
D400,161 S *	10/1998	Nagele	D13/103
D404,721 S *	1/1999	Tennefoss	D13/184
D481,008 S	10/2003	Wade	
D488,436 S	4/2004	Wulff	
D492,248 S	6/2004	Gregory et al.	
D504,659 S	5/2005	Voli et al.	
D520,444 S	5/2006	Liu	
D525,593 S *	7/2006	Bailey	D13/177
D562,760 S	2/2008	Hanks	

(**) Term: **15 Years**

(Continued)

(21) Appl. No.: **29/752,231**

OTHER PUBLICATIONS

(22) Filed: **Sep. 25, 2020**

MC9200 Series: EMC Configuration and Accessories Guide, pub: Jan. 2018, p. 18.

Related U.S. Application Data

(63) Continuation of application No. 29/670,720, filed on Nov. 19, 2018, now Pat. No. Des. 900,021.

Primary Examiner — Nathaniel D. Buckner

(51) **LOC (13) Cl.** **13-02**

(57) **CLAIM**

(52) **U.S. Cl.**
USPC **D13/108**

We claim the ornamental design for a battery, as shown and described.

(58) **Field of Classification Search**
USPC D13/102–110, 118–119, 184, 199;
D14/356, 432

DESCRIPTION

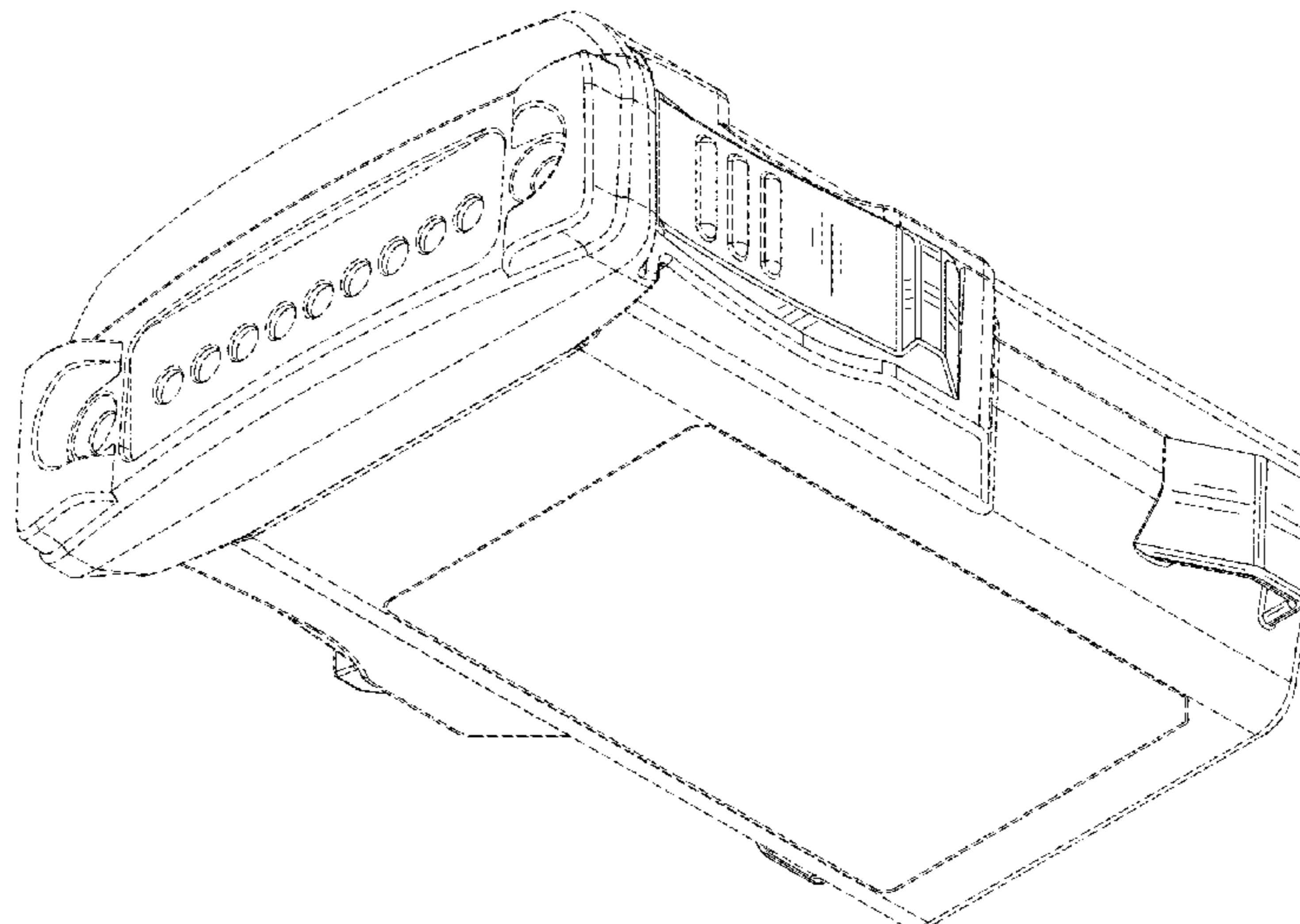
CPC Y02E 60/10; Y02E 60/12; Y02E 60/122; Y02E 60/124; Y02E 60/50; H01M 2/02; H01M 2/022; H01M 2/0202; H01M 2/0207; H01M 2/0212; H01M 2/1061; H01M 2/1022; H01M 2/1055; H01M 2/1066; H01M 2/105; H01M 2/20; H01M 2/204; H01M 2/206; H01M 10/44; H01M 10/46; H01M 10/465; H01M 10/482; H01M 2200/30; H01M 2250/30; H01M 2250/40; H01M 2200/00; H01M 2/1016; H02J 7/00; H02J 7/0003; H02J 7/0011; H02J 7/0013; H02J 7/0054; H02J 7/0055; H02J 7/0057; H02J 2007/0062

FIG. 1 is a front perspective view of an example battery; FIG. 2 is a rear perspective view thereof; FIG. 3 is a top view thereof; FIG. 4 is a bottom view thereof; FIG. 5 is a first side view thereof; FIG. 6 is a second side view thereof; FIG. 7 is a front view thereof; and, FIG. 8 is a rear view thereof.

See application file for complete search history.

The broken lines in the figures depict portions of the battery which form no part of the claimed design.

1 Claim, 6 Drawing Sheets



(56)

References Cited

U.S. PATENT DOCUMENTS

D571,718 S	6/2008	Morris et al.	
D578,959 S	10/2008	Morishita et al.	
D580,352 S	11/2008	Croley	
D580,851 S *	11/2008	Kumthampinij	D13/103
D587,647 S	3/2009	Croley et al.	
D613,244 S	4/2010	Palmer et al.	
D624,011 S *	9/2010	Bertagnole	D13/103
D632,643 S	2/2011	Tanaka et al.	
D642,517 S	8/2011	Inman et al.	
D654,850 S	2/2012	Obata	
D654,853 S *	2/2012	Bacon	D13/103
D660,788 S	5/2012	Ziring et al.	
D680,061 S	4/2013	Jiang et al.	
D712,347 S	9/2014	Awiszus et al.	
D766,175 S	9/2016	Tsiopanos et al.	
D810,677 S *	2/2018	Chen	D13/103
D816,606 S *	5/2018	Georgiades	D13/108
D817,266 S *	5/2018	Peng	D13/103
D836,066 S *	12/2018	Lim	D13/103
D858,433 S *	9/2019	Gan	D13/103
D900,021 S *	10/2020	Shen	D13/103

* cited by examiner

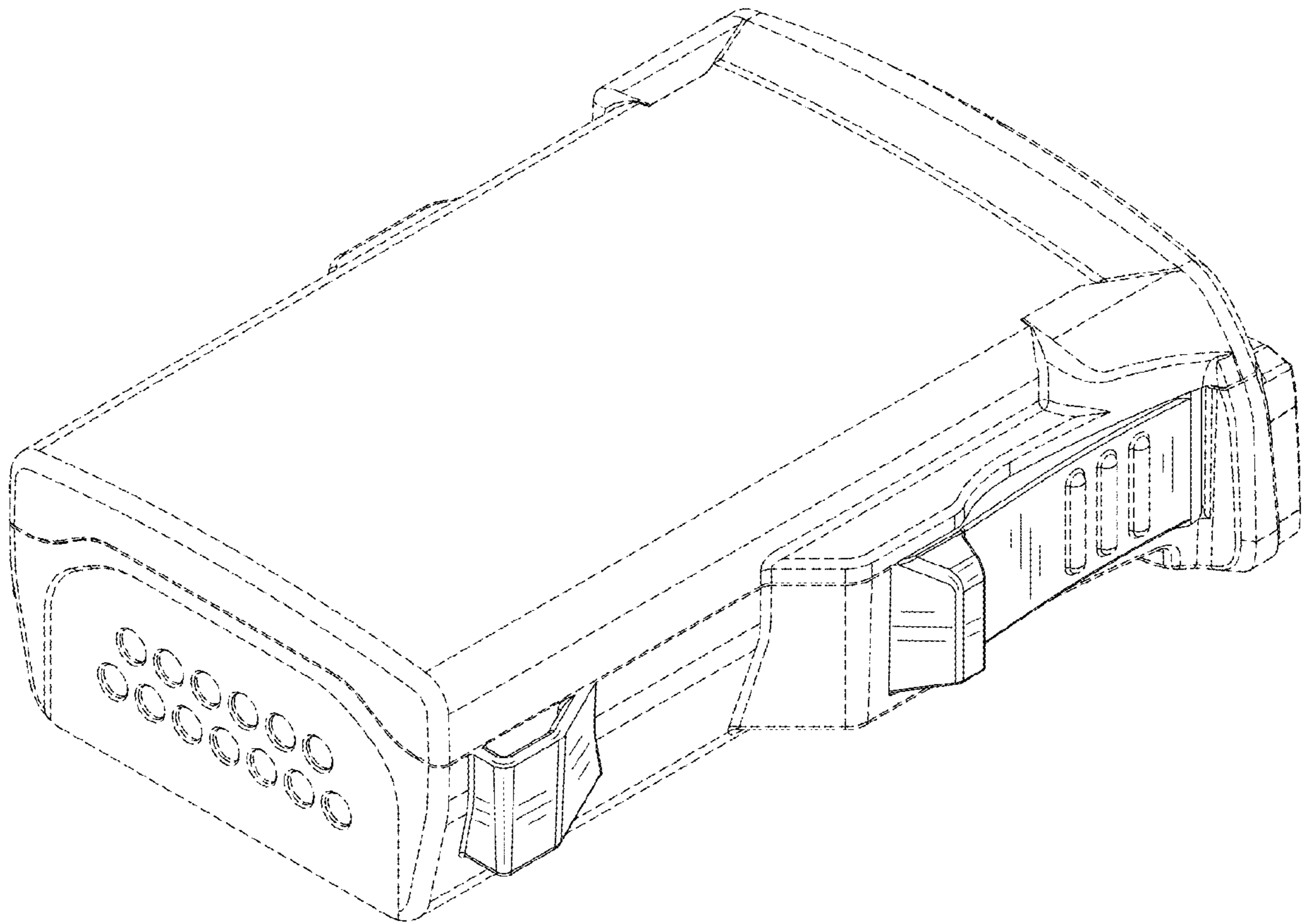


FIG. 1

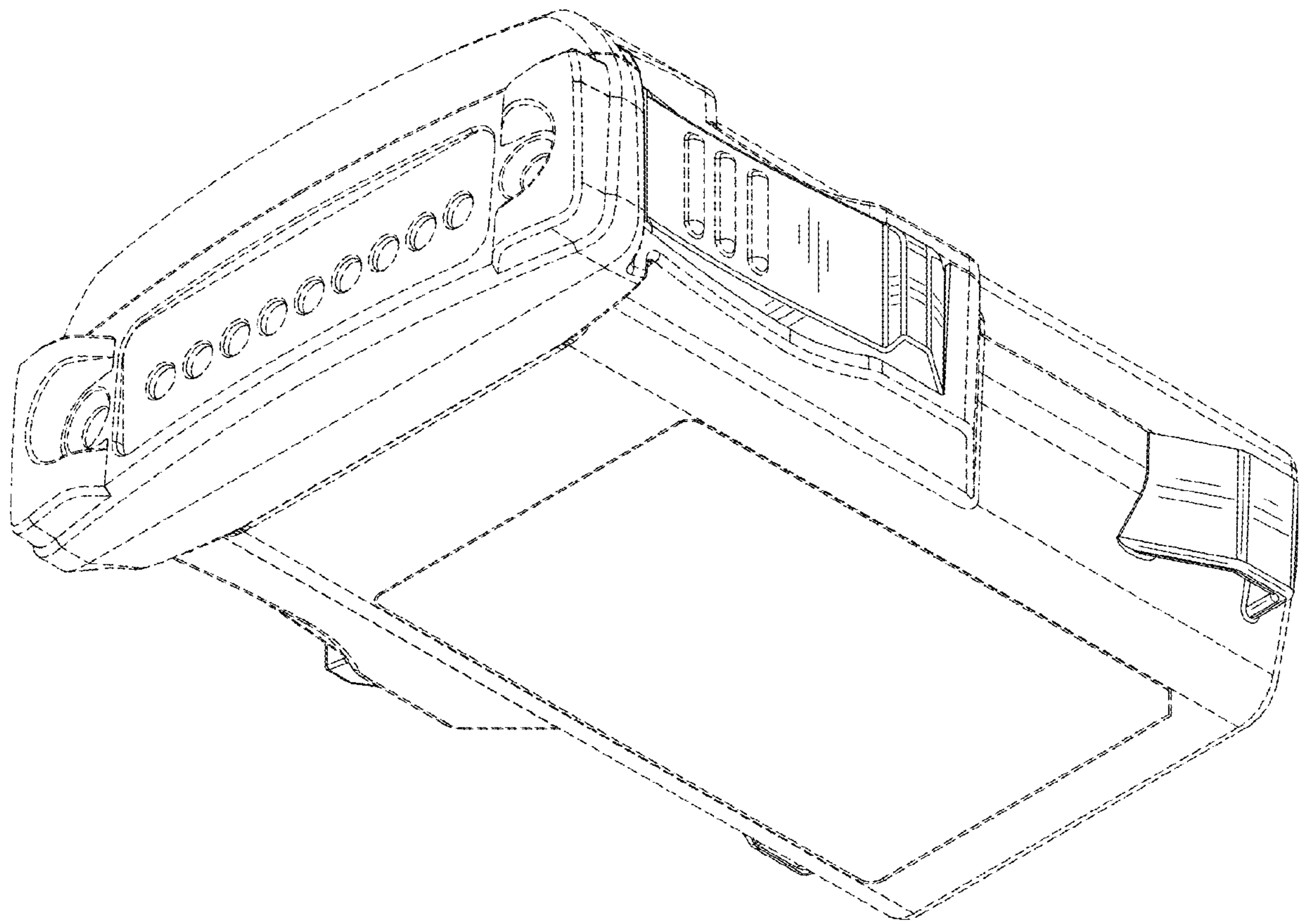


FIG. 2

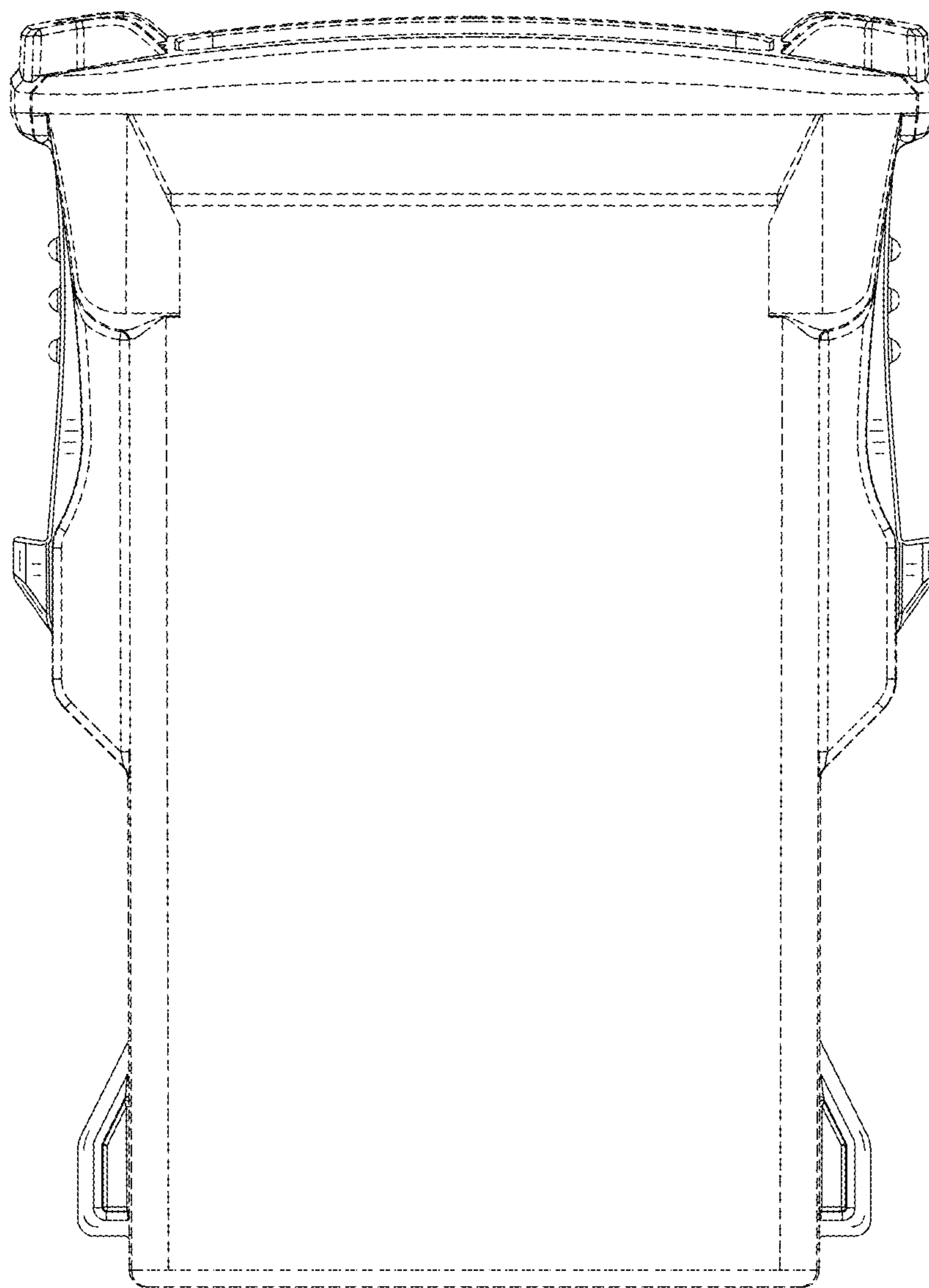


FIG. 3

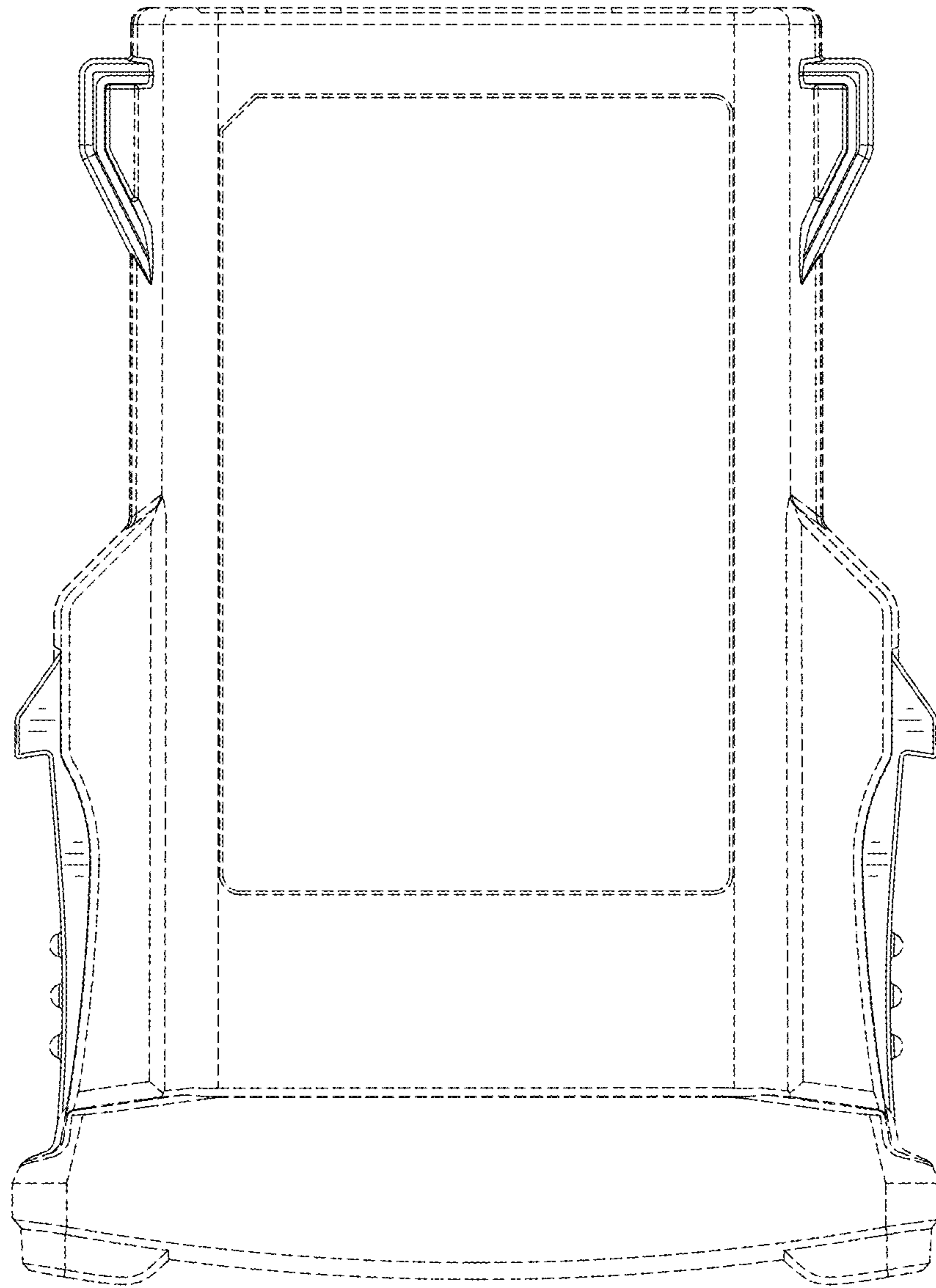


FIG. 4

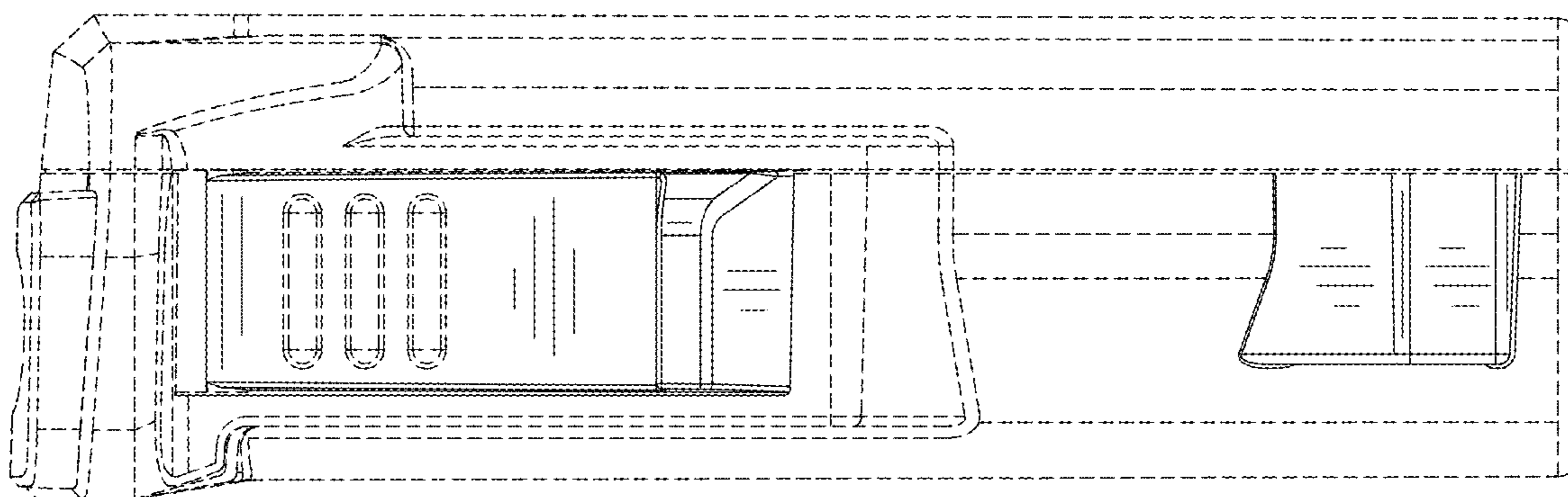


FIG. 5

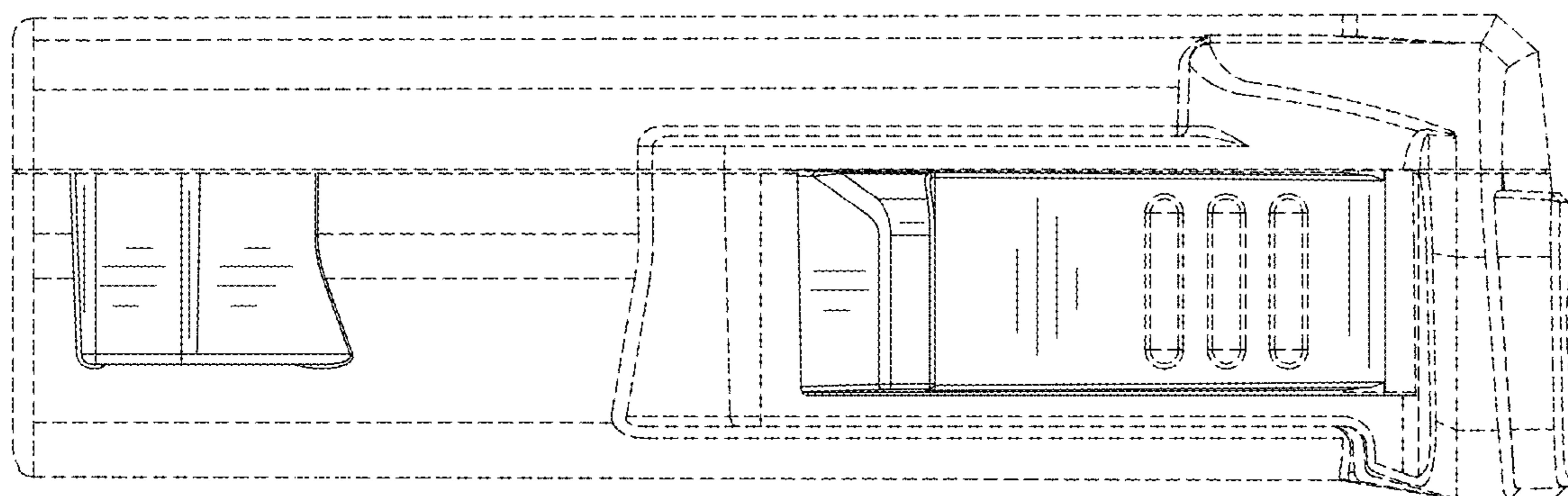


FIG. 6

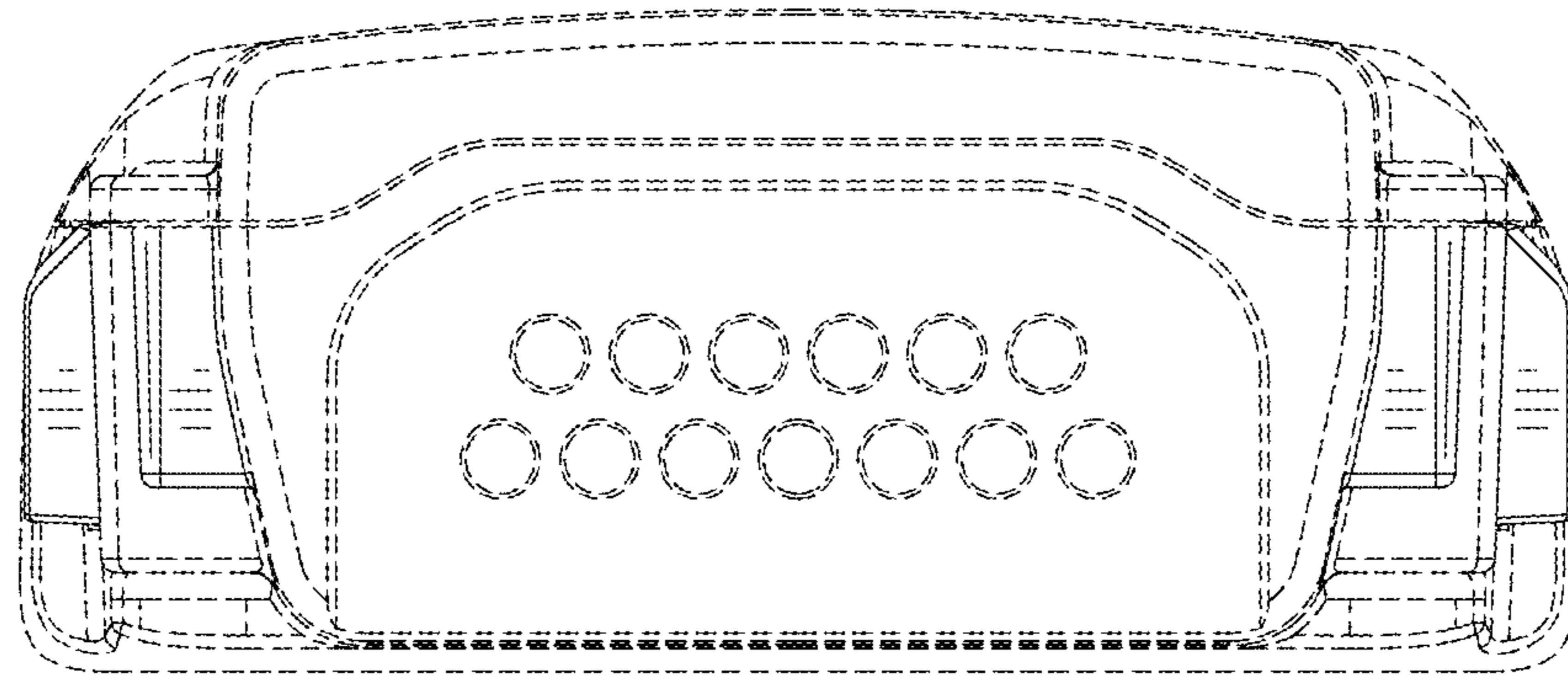


FIG. 7

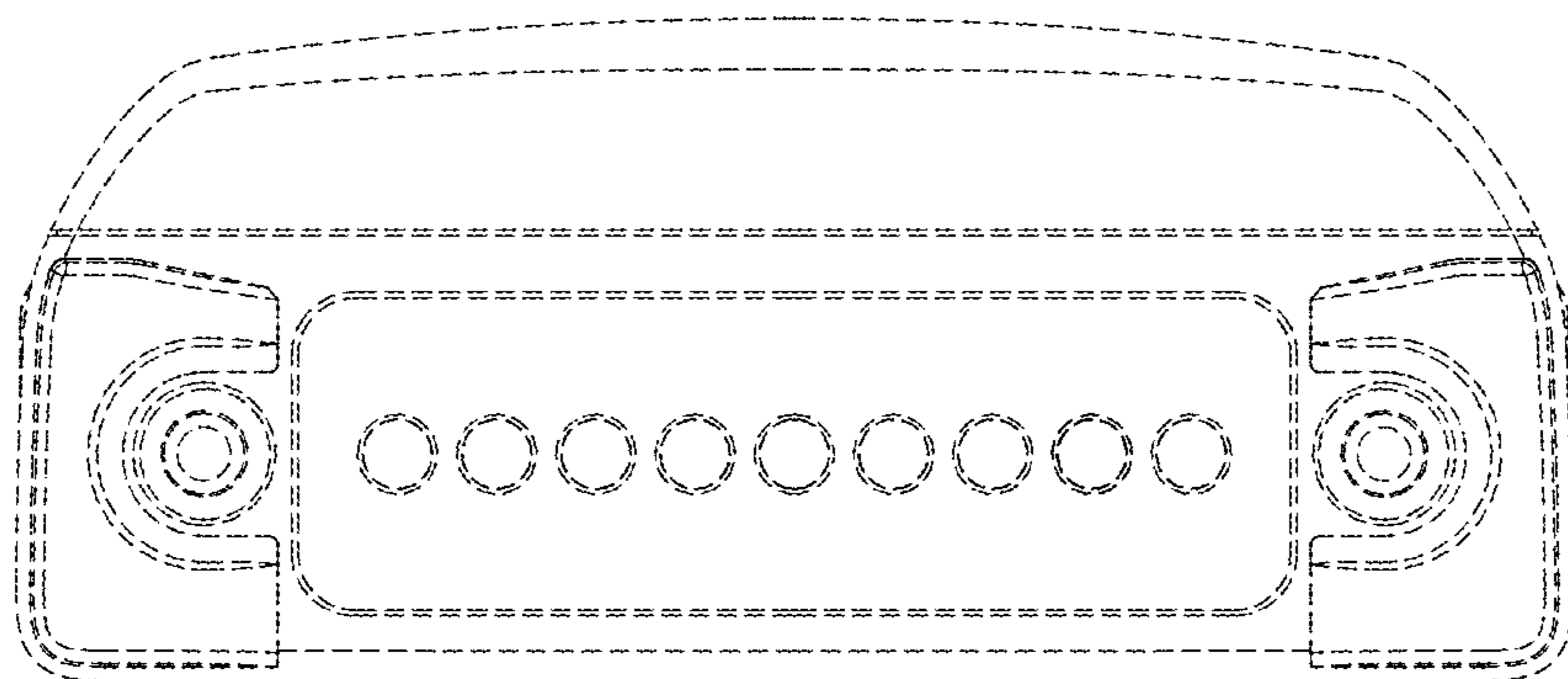


FIG. 8