



US00D918829S

(12) **United States Design Patent**  
**Tinius**

(10) **Patent No.:** **US D918,829 S**

(45) **Date of Patent:** **\*\* May 11, 2021**

(54) **BATTERY PACK**

(71) Applicant: **Andreas Stihl AG & Co. KG**,  
Waiblingen (DE)

(72) Inventor: **Michael Tinius**, Ulm (DE)

(73) Assignee: **Andreas Stihl AG & Co. KG**,  
Waiblingen (DE)

(\*\*) Term: **15 Years**

(21) Appl. No.: **29/695,658**

(22) Filed: **Jun. 20, 2019**

(30) **Foreign Application Priority Data**

Dec. 21, 2018 (EM) ..... 005941713

(51) **LOC (13) Cl.** ..... **13-02**

(52) **U.S. Cl.**  
USPC ..... **D13/103**

(58) **Field of Classification Search**  
USPC ..... D13/102–106, 110, 118–119, 154, 156,  
D13/184

CPC ..... Y02E 60/12; Y02E 60/122; Y02E 60/124;  
Y02E 60/50; H01M 2/02; H01M 2/022;  
H01M 2/0202; H01M 2/0207; H01M  
2/0212; H01M 2/1061; H01M 2/1022;  
H01M 2/1055; H01M 2/1066; H01M  
2/105; H01M 2/204; H01M 10/4257;  
H01M 10/0436; H01M 10/48

See application file for complete search history.

(56) **References Cited**

**U.S. PATENT DOCUMENTS**

D313,391 S \* 1/1991 Pudwill ..... D13/103  
D323,642 S \* 2/1992 Liao ..... D13/103  
D383,435 S \* 9/1997 Svetlik ..... D13/103  
D528,975 S \* 9/2006 Chi ..... D13/103

D530,270 S \* 10/2006 Ozawa ..... D13/103  
D547,264 S \* 7/2007 Kondo ..... D13/103  
D597,482 S \* 8/2009 Kondo ..... D13/103  
D604,235 S \* 11/2009 Tarter ..... D13/103  
D623,589 S \* 9/2010 Tarter ..... D13/103  
D682,195 S \* 5/2013 Aglassinger ..... D13/103  
D698,313 S \* 1/2014 Buetow ..... D13/119  
D699,672 S \* 2/2014 Kosugi ..... D13/103  
D817,869 S \* 5/2018 Lee ..... D13/103  
D818,949 S \* 5/2018 Dunkin ..... D13/103  
D869,387 S \* 12/2019 Ensing ..... D13/103  
D897,946 S \* 10/2020 Liu ..... D13/103

(Continued)

*Primary Examiner* — Catherine S Posthauer

*Assistant Examiner* — Alison M Ofstun

(74) *Attorney, Agent, or Firm* — McGuireWoods LLP

(57) **CLAIM**

The ornamental design for a battery pack, as shown and described.

**DESCRIPTION**

FIG. 1 is a left front perspective view of the battery pack showing my new design;

FIG. 2 is a right front perspective view of the battery pack shown in FIG. 1;

FIG. 3 is a rear elevation view of the battery pack shown in FIG. 1;

FIG. 4 is a front elevation view of the battery pack shown in FIG. 1;

FIG. 5 is a left side elevation view of the battery pack shown in FIG. 1;

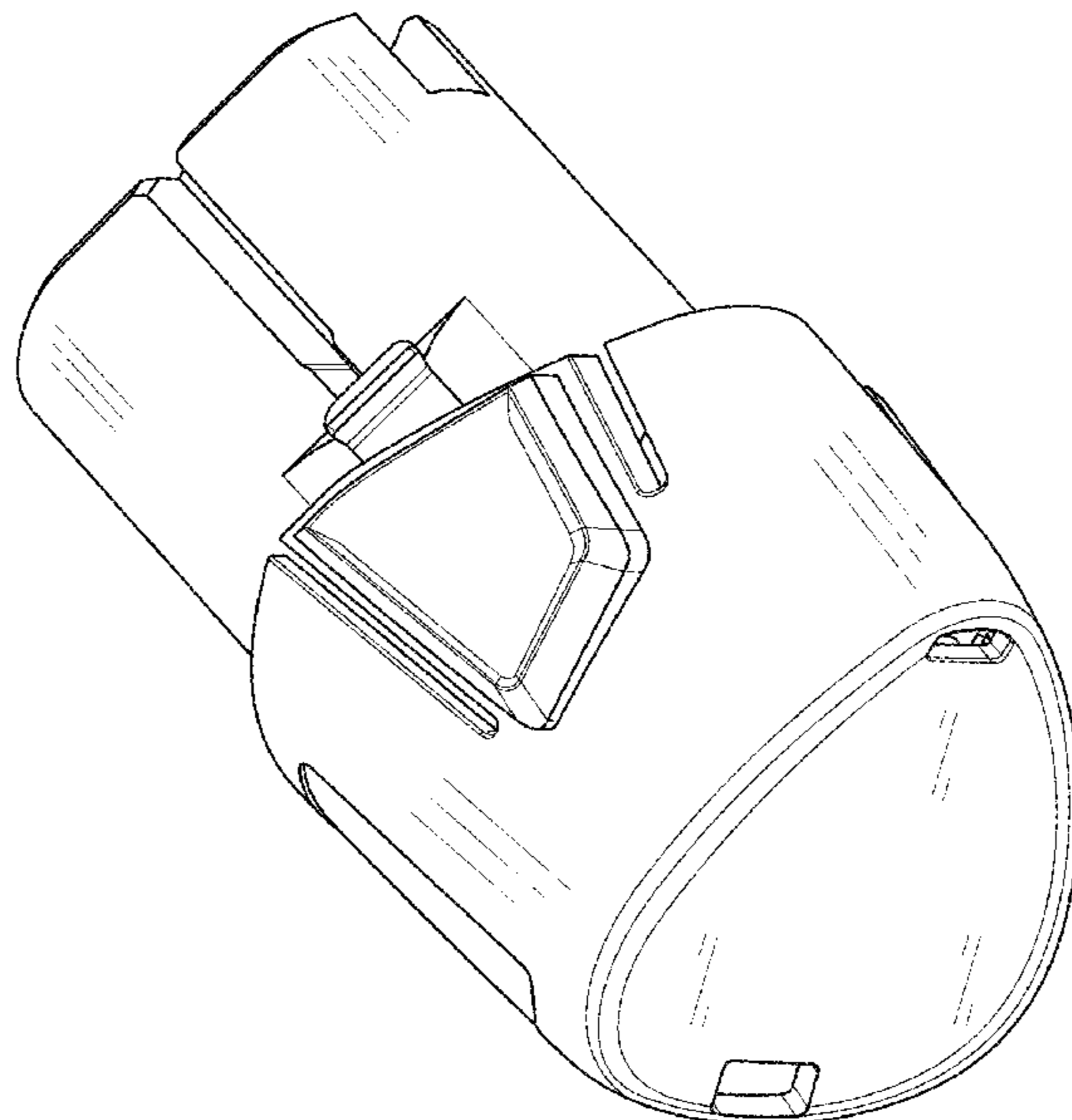
FIG. 6 is a right side elevation view of the battery pack shown in FIG. 1;

FIG. 7 is a top view of the battery pack shown in FIG. 1; and,

FIG. 8 is a bottom view of the battery pack shown in FIG. 1.

In the drawings, the broken lines illustrate portions of the article which form no part of the claimed design.

**1 Claim, 8 Drawing Sheets**



(56)

**References Cited**

U.S. PATENT DOCUMENTS

2009/0229842 A1\* 9/2009 Gray ..... G01R 1/0408  
173/20  
2013/0196203 A1\* 8/2013 Wackwitz ..... H01M 2/1022  
429/96

\* cited by examiner

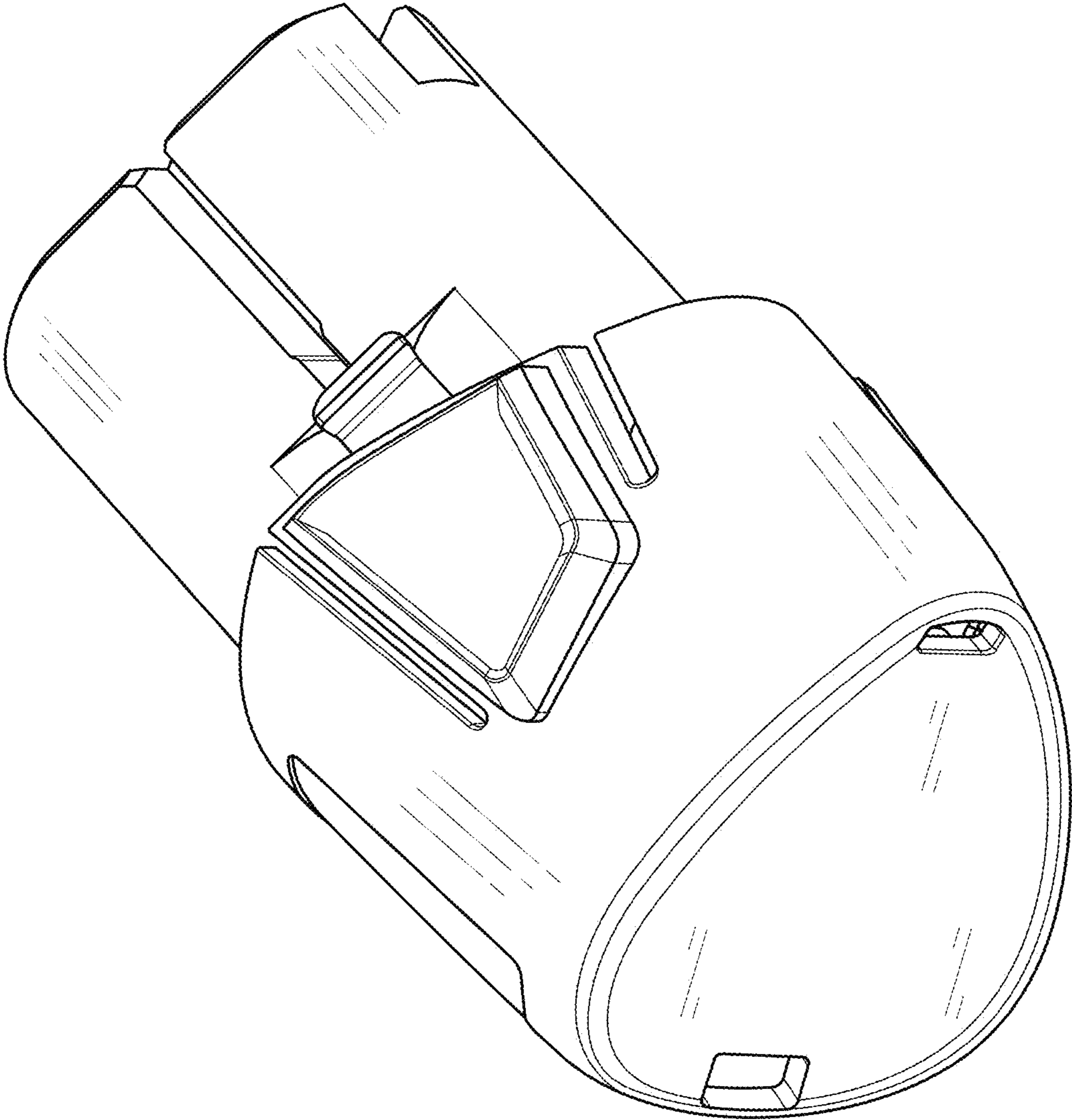


FIG. 1

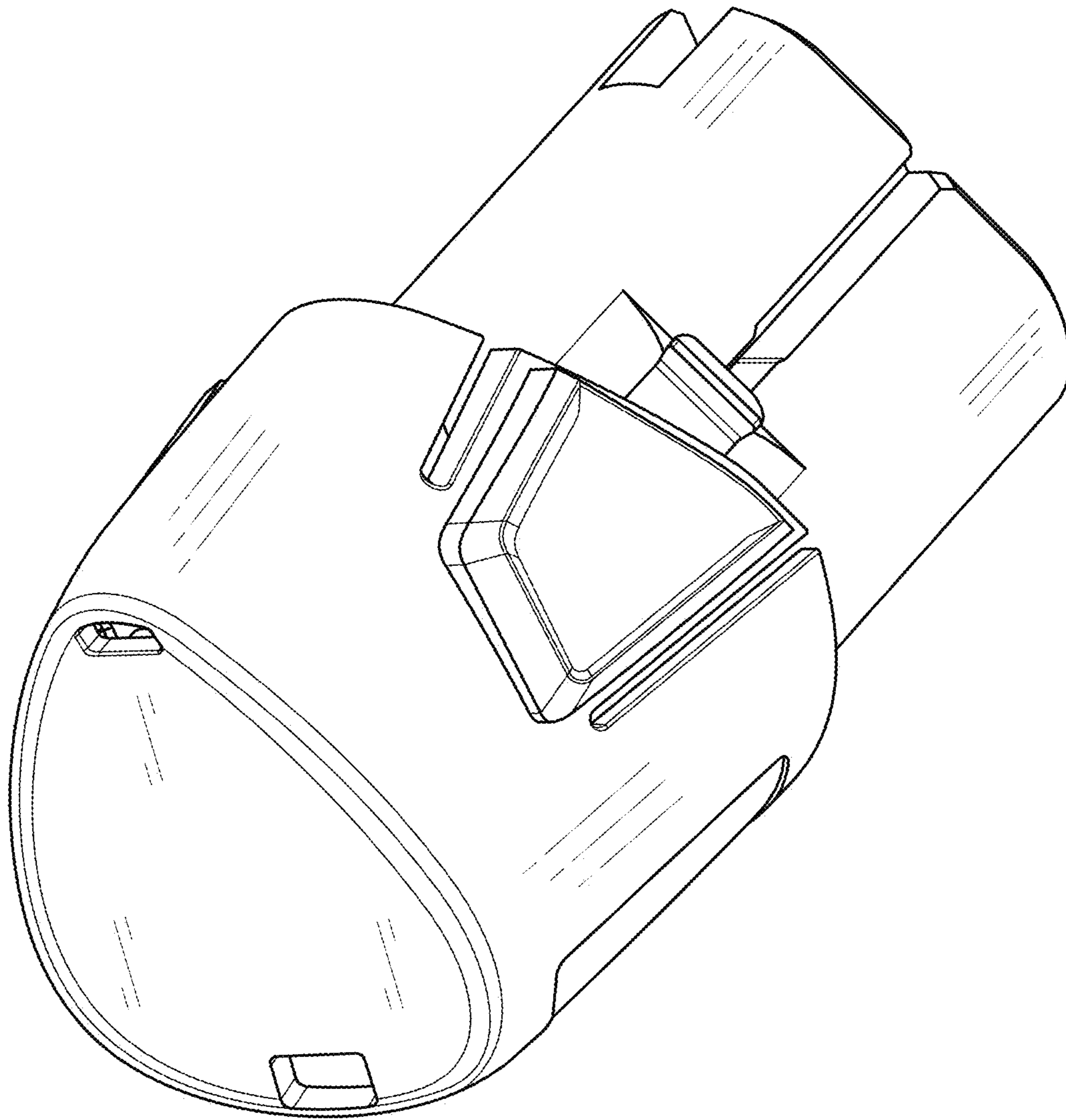


FIG. 2

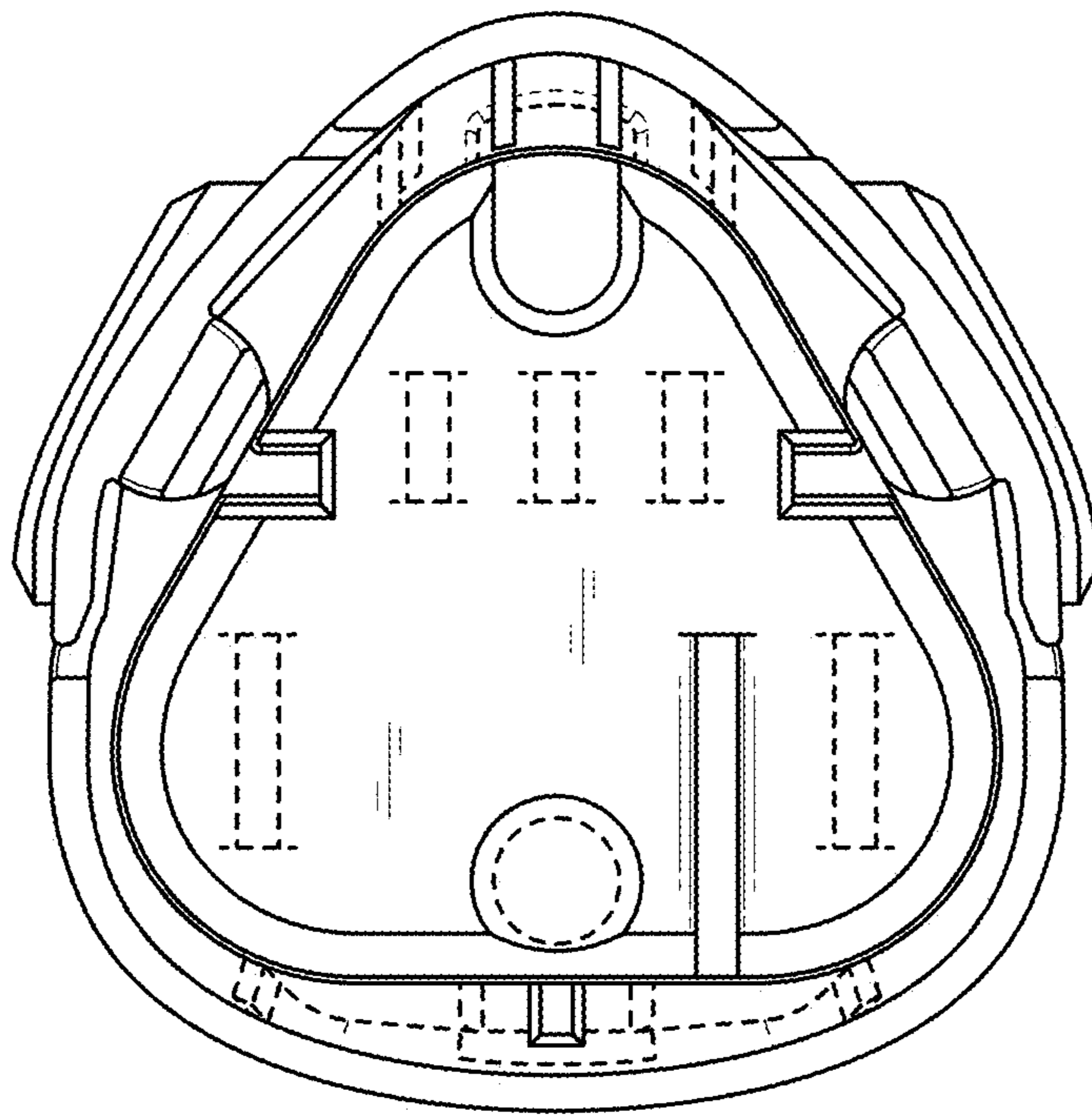


FIG. 3

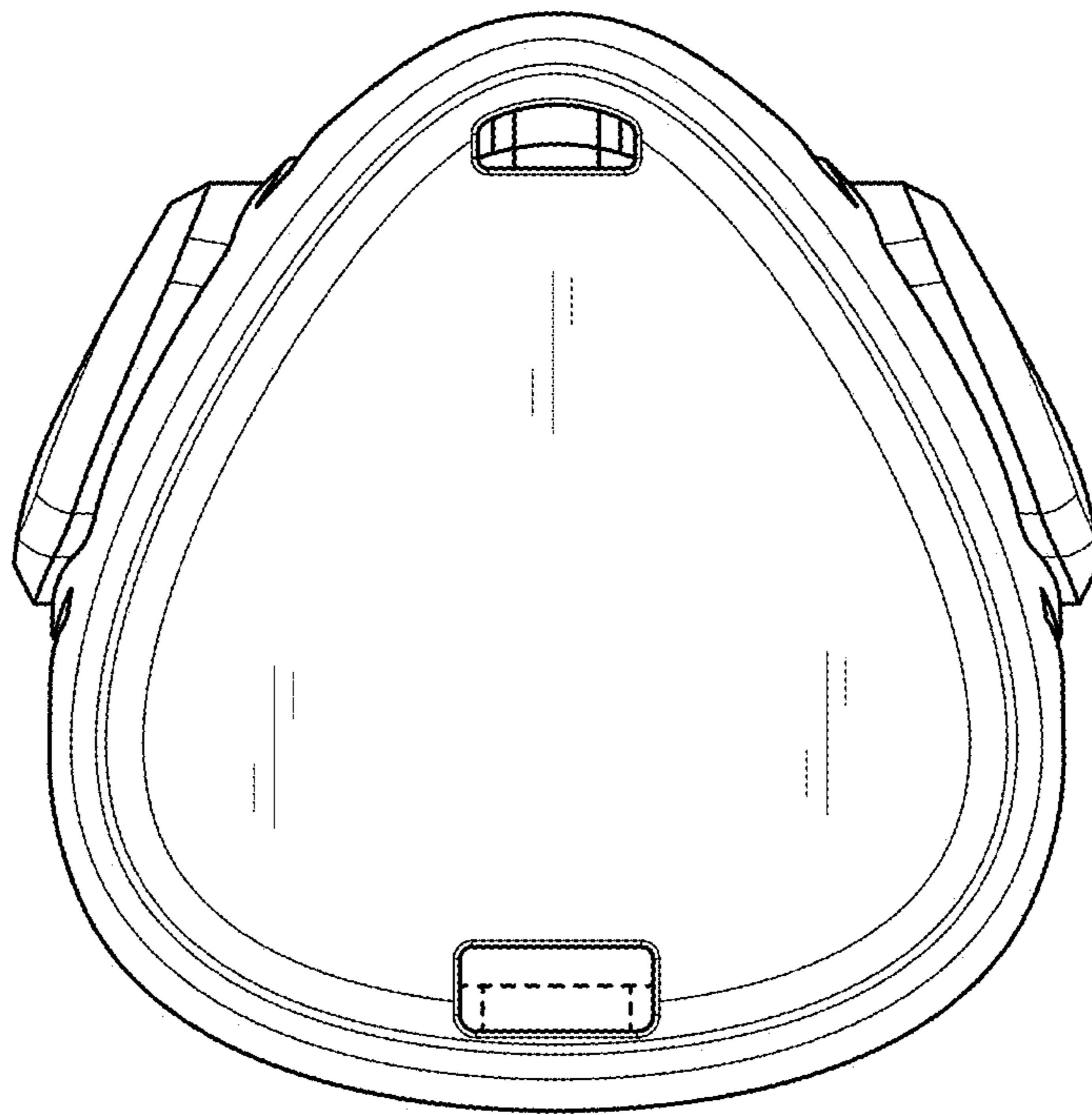


FIG. 4

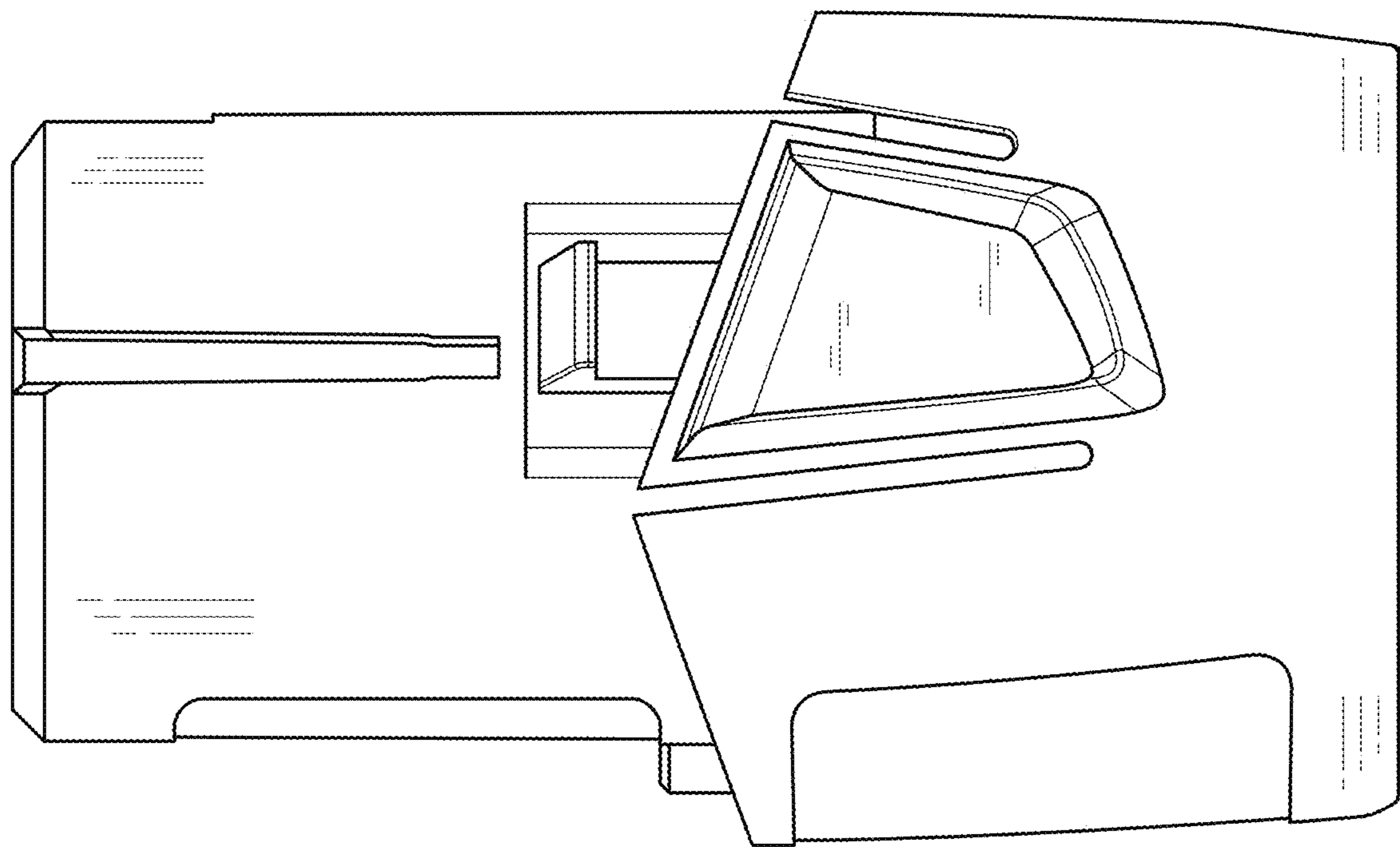


FIG. 5

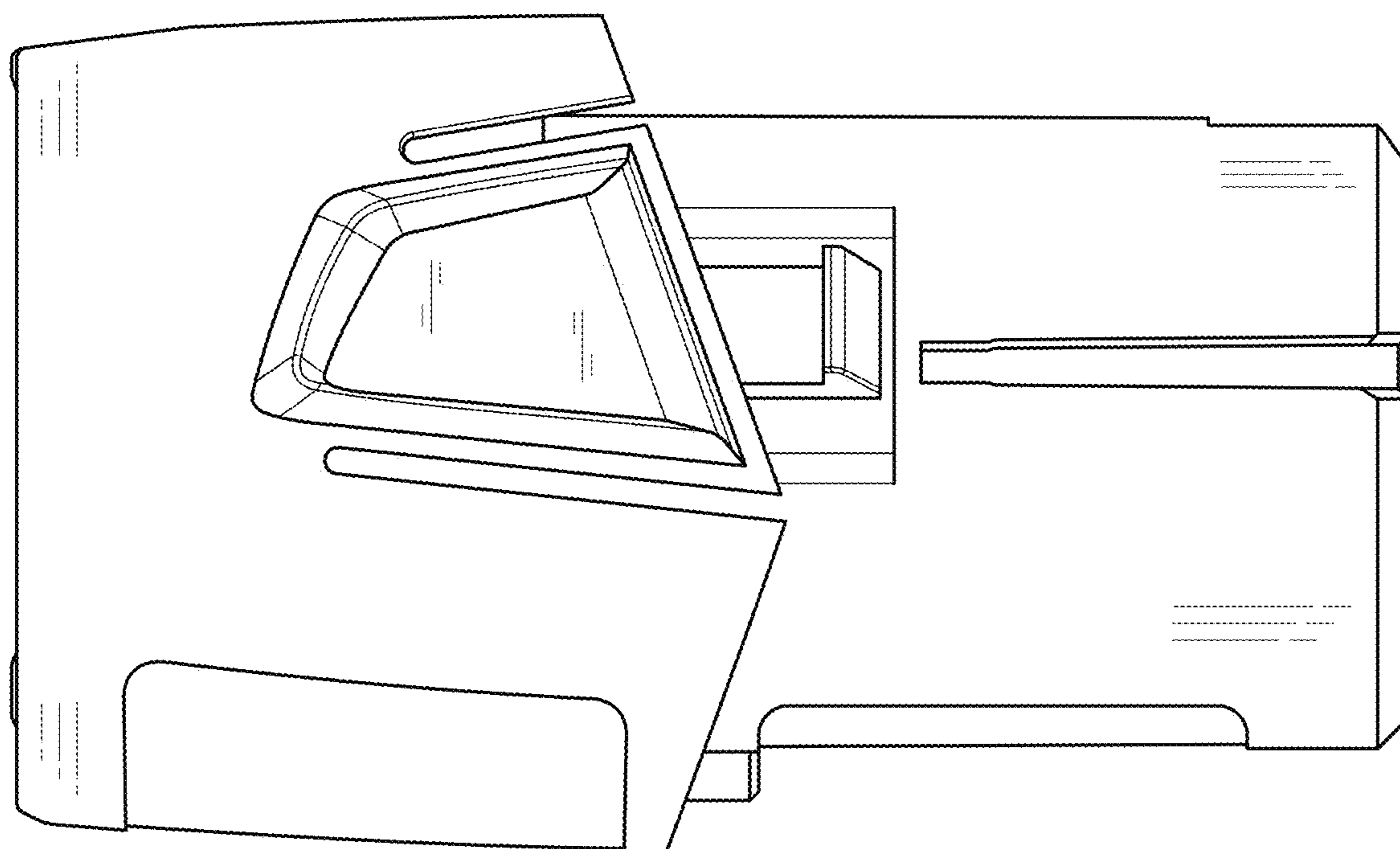


FIG. 6



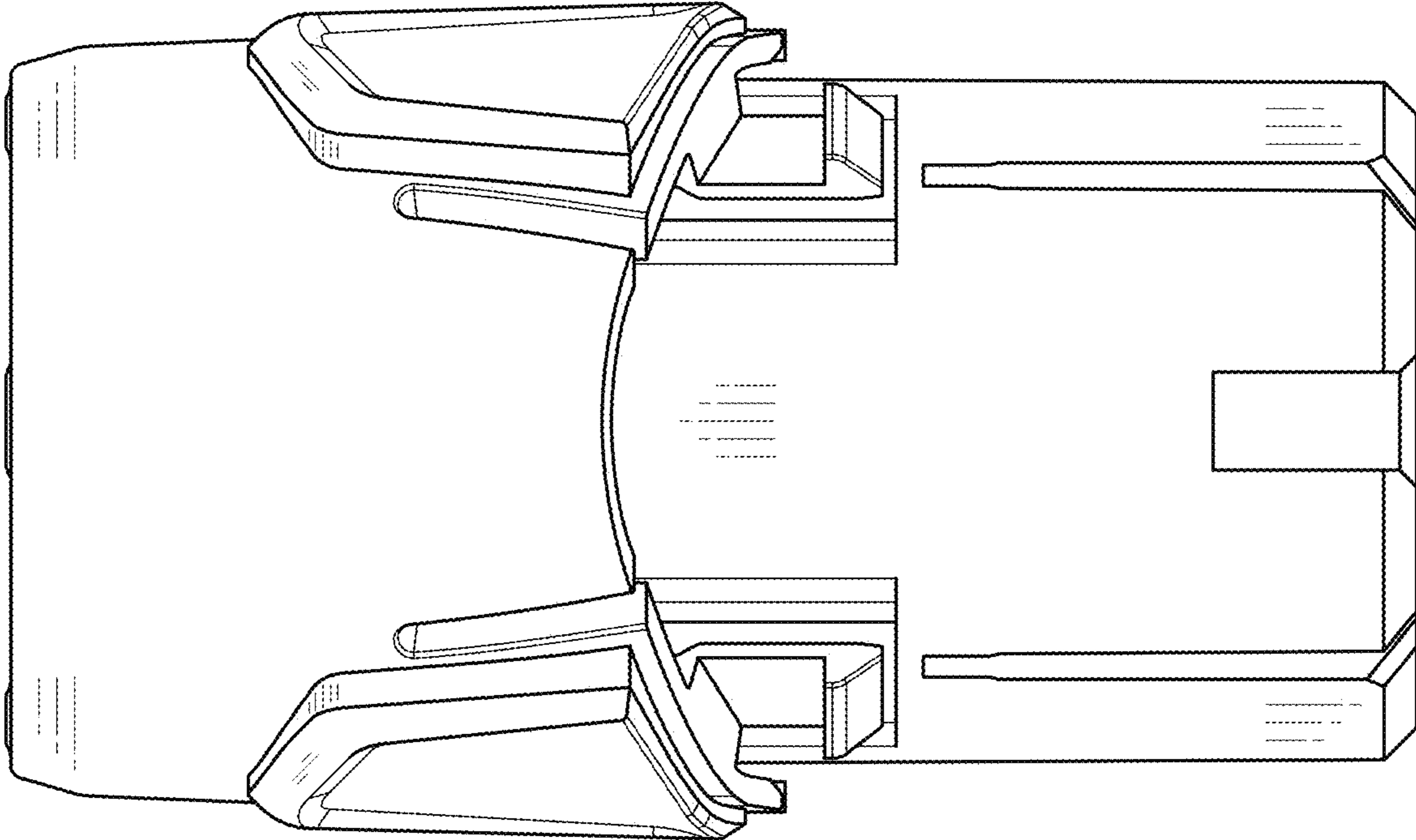


FIG. 7

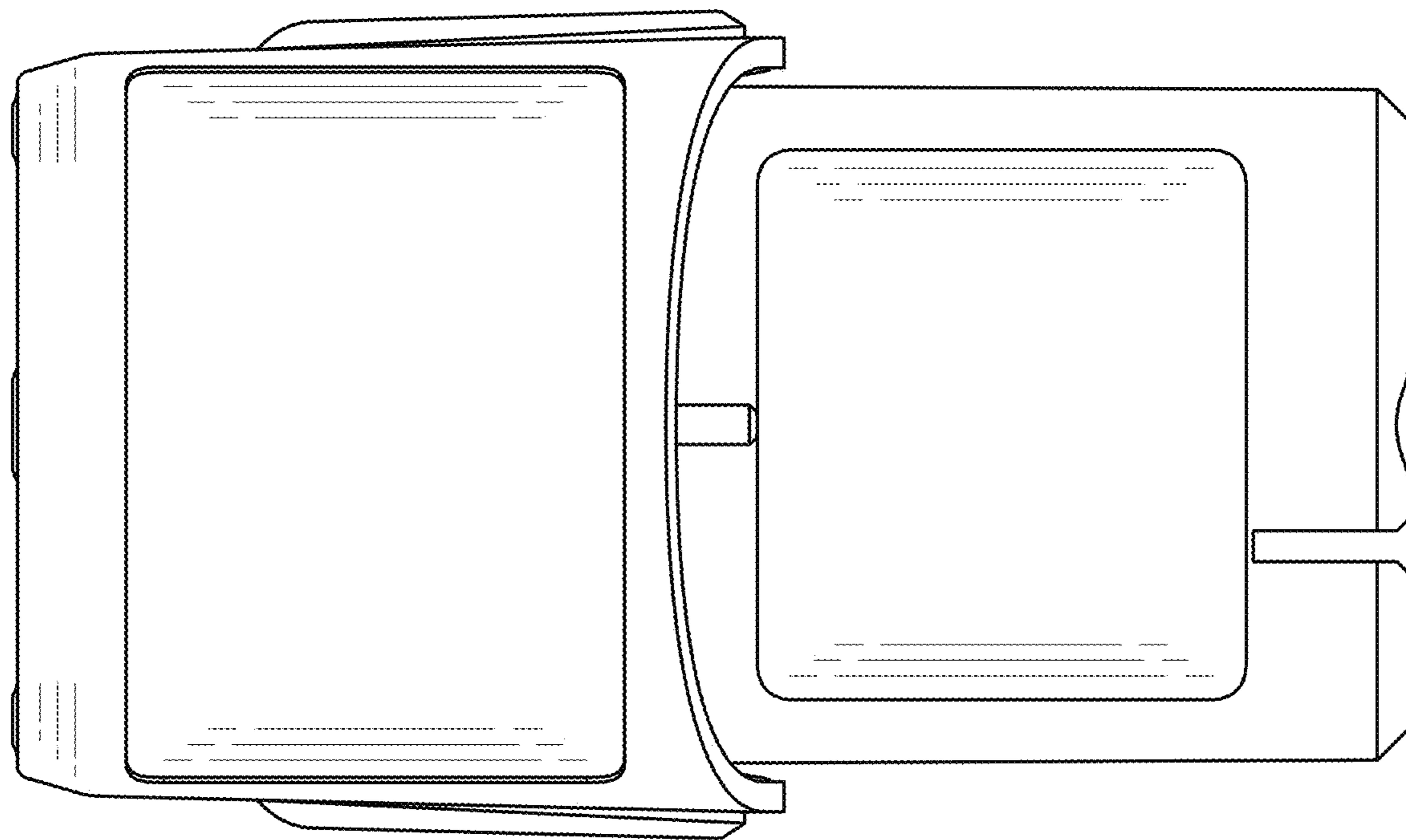


FIG. 8