



US00D918828S

(12) **United States Design Patent** (10) **Patent No.:** **US D918,828 S**  
**Liu** (45) **Date of Patent:** **\*\* May 11, 2021**

(54) **SOLAR POWER BANK**

(71) Applicant: **Cheng Liu**, Qiyang (CN)

(72) Inventor: **Cheng Liu**, Qiyang (CN)

(\*\*) Term: **15 Years**

(21) Appl. No.: **29/751,476**

(22) Filed: **Sep. 22, 2020**

(51) **LOC (13) Cl.** ..... **13-02**

(52) **U.S. Cl.**  
USPC ..... **D13/102**

(58) **Field of Classification Search**  
USPC ..... D13/101, 102, 103, 107, 108, 110, 199  
CPC ..... H02J 7/02; H02J 7/35; H02J 7/355; H02J 7/007; H02S 40/30; H02S 40/32; H02S 40/38; H02S 10/40; H01L 31/02; H01L 31/042; H01L 31/045; H01L 31/046; H01L 31/048; H01L 31/052; Y02E 10/50; Y02E 10/544

See application file for complete search history.

(56) **References Cited**

**U.S. PATENT DOCUMENTS**

- 4,786,851 A \* 11/1988 Fuji ..... H02J 7/35 320/101
- D391,921 S \* 3/1998 Zimmer ..... D13/102
- D582,842 S \* 12/2008 Wei ..... D13/102
- D658,121 S \* 4/2012 Martin ..... D13/102
- D686,979 S \* 7/2013 Chilton ..... D13/102

- D708,570 S \* 7/2014 Martin ..... D13/102
- D724,012 S \* 3/2015 Zhan ..... D13/102
- D776,050 S 1/2017 Awad et al.
- D812,553 S \* 3/2018 Anderson ..... D13/102
- D817,866 S 5/2018 Liu
- D836,064 S 12/2018 Liu
- 2010/0109599 A1\* 5/2010 Lin ..... H02J 7/35 320/101

\* cited by examiner

*Primary Examiner* — Derrick E Holland

(57) **CLAIM**

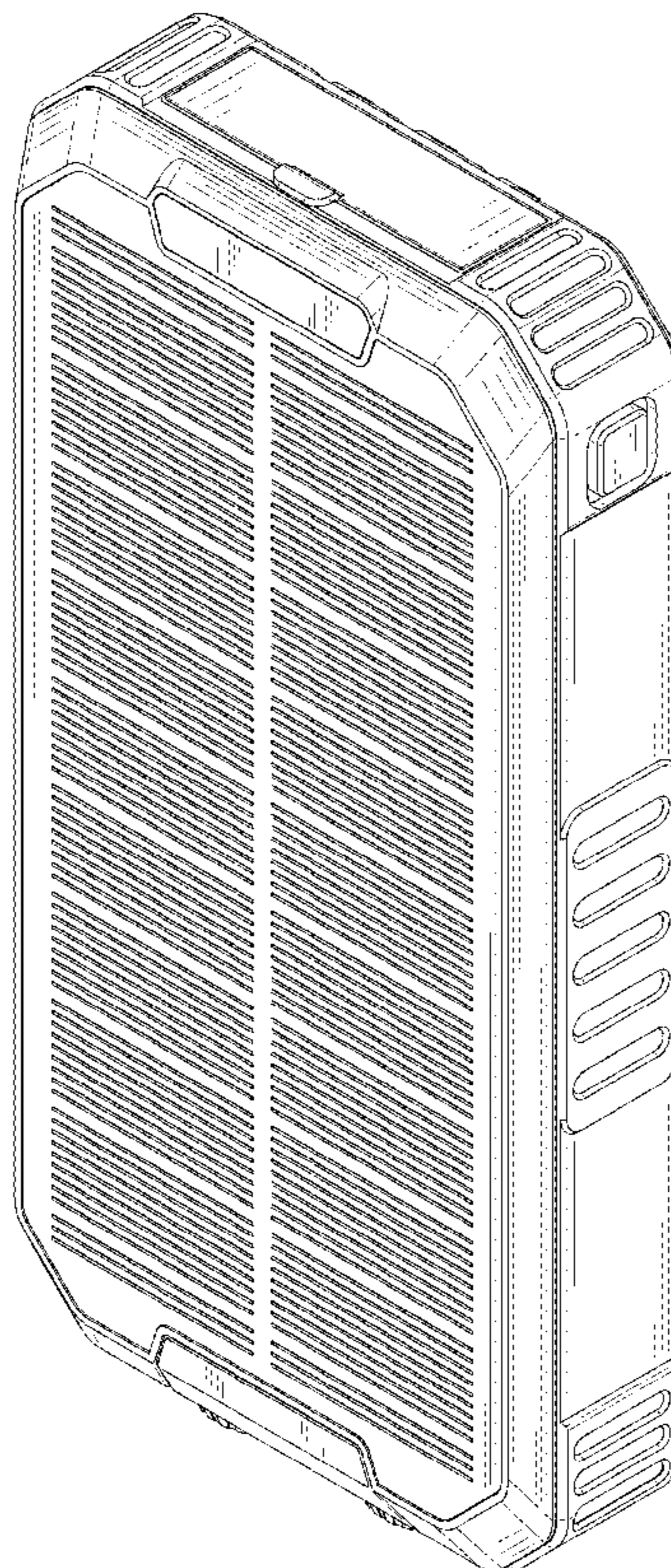
The ornamental design for a solar power bank, as shown and described.

**DESCRIPTION**

FIG. 1 is a first perspective view of a solar power bank showing my new design;  
FIG. 2 is a second perspective view thereof;  
FIG. 3 is a front view thereof;  
FIG. 4 is a back view thereof;  
FIG. 5 is a left side view thereof;  
FIG. 6 is a right side view thereof;  
FIG. 7 is a top view thereof; and,  
FIG. 8 is a bottom view thereof.

The broken lines shown in the drawings depict portions of the solar power bank in which the design is embodied that form no part of the claimed design.

**1 Claim, 8 Drawing Sheets**



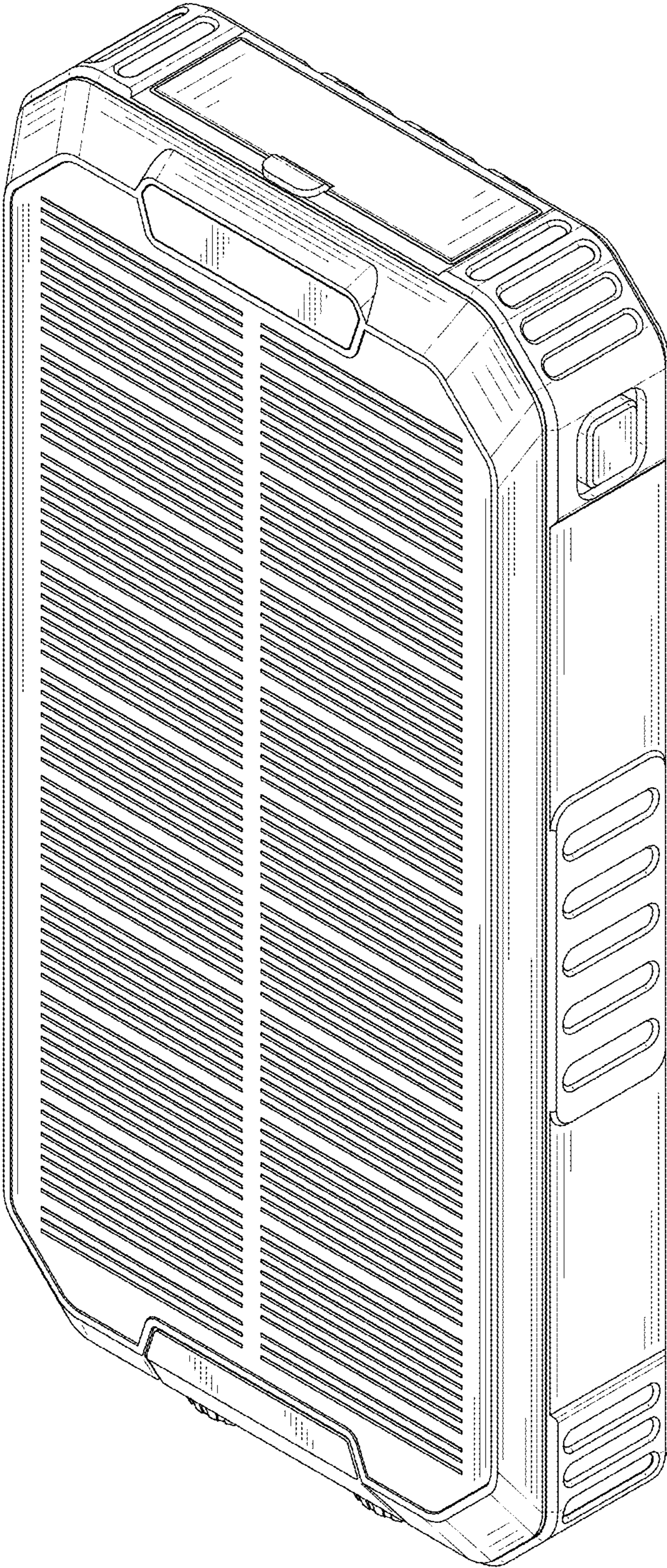


FIG. 1

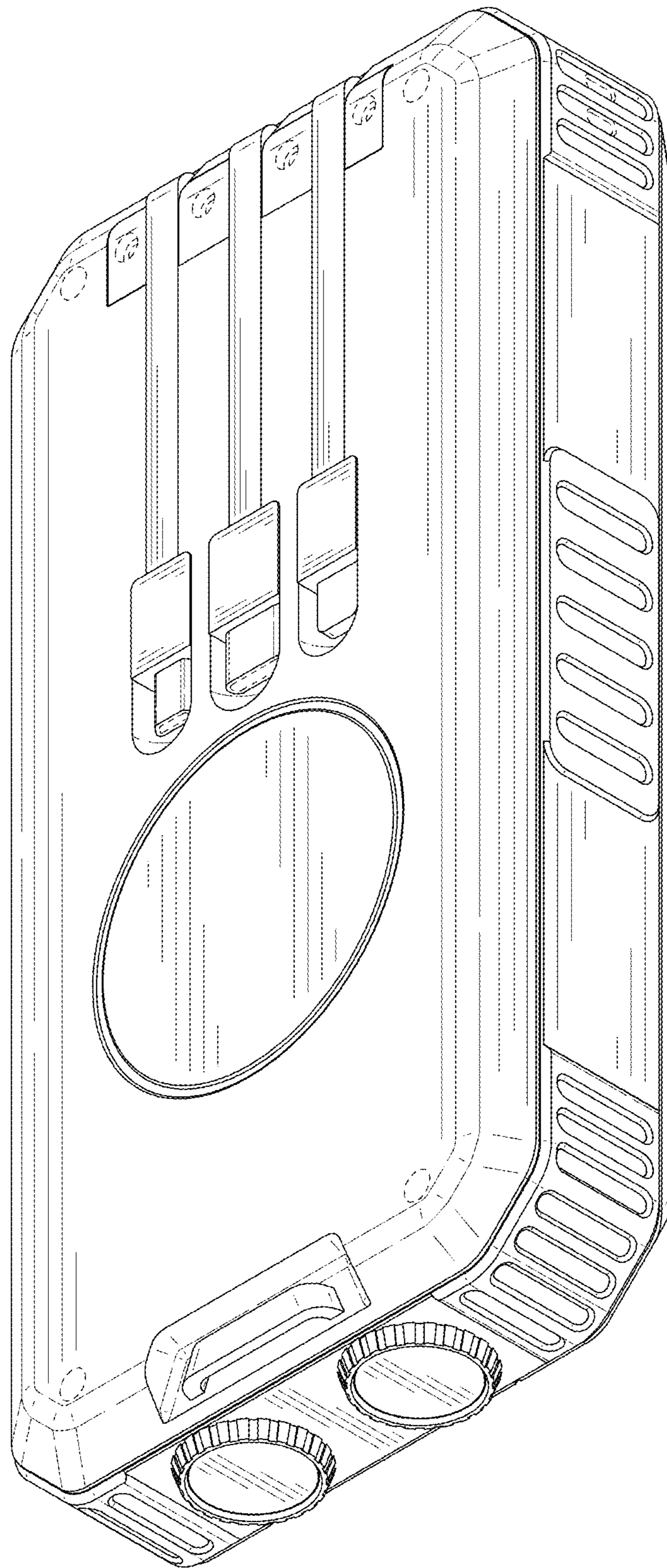


FIG. 2

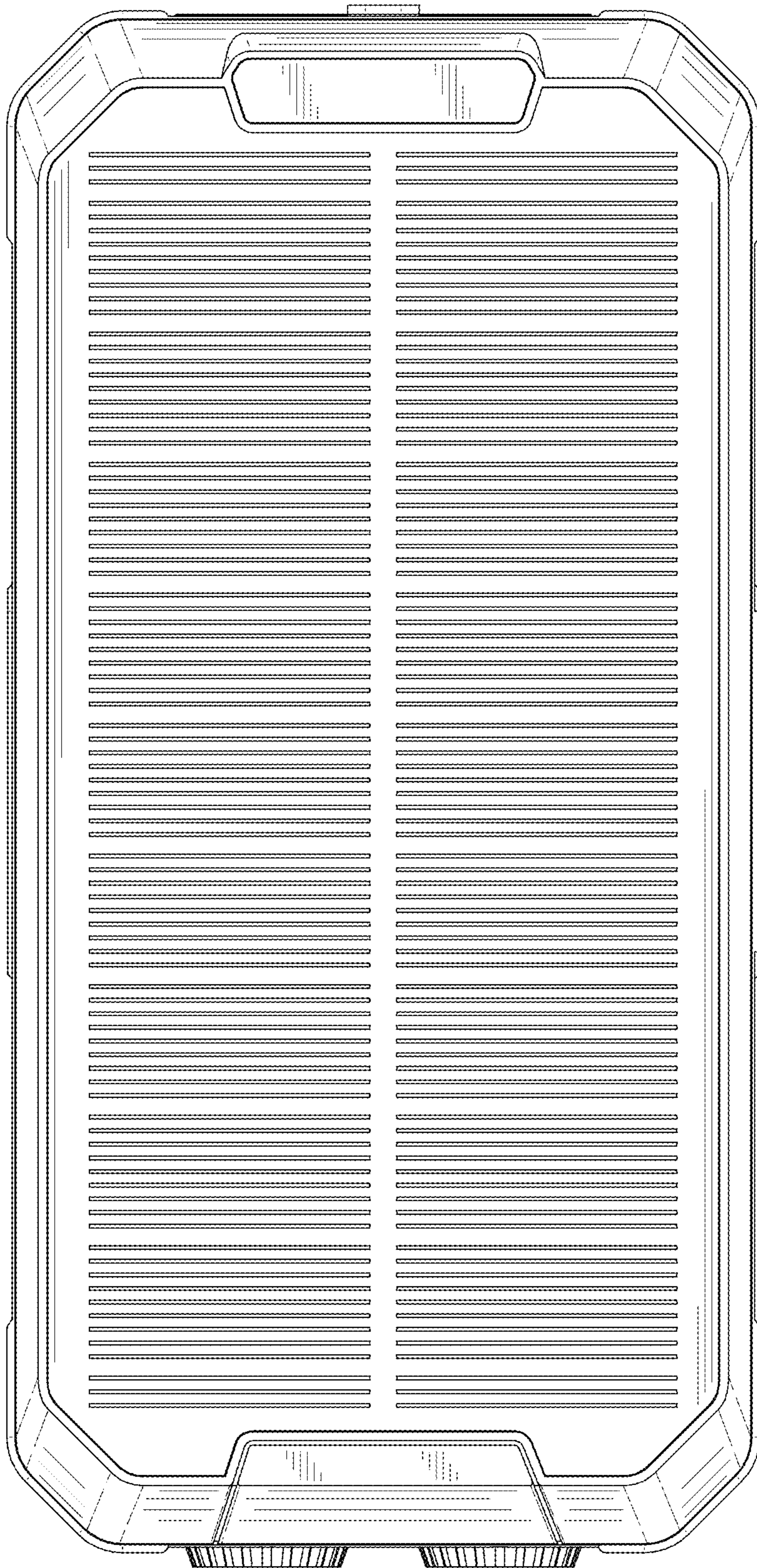


FIG. 3

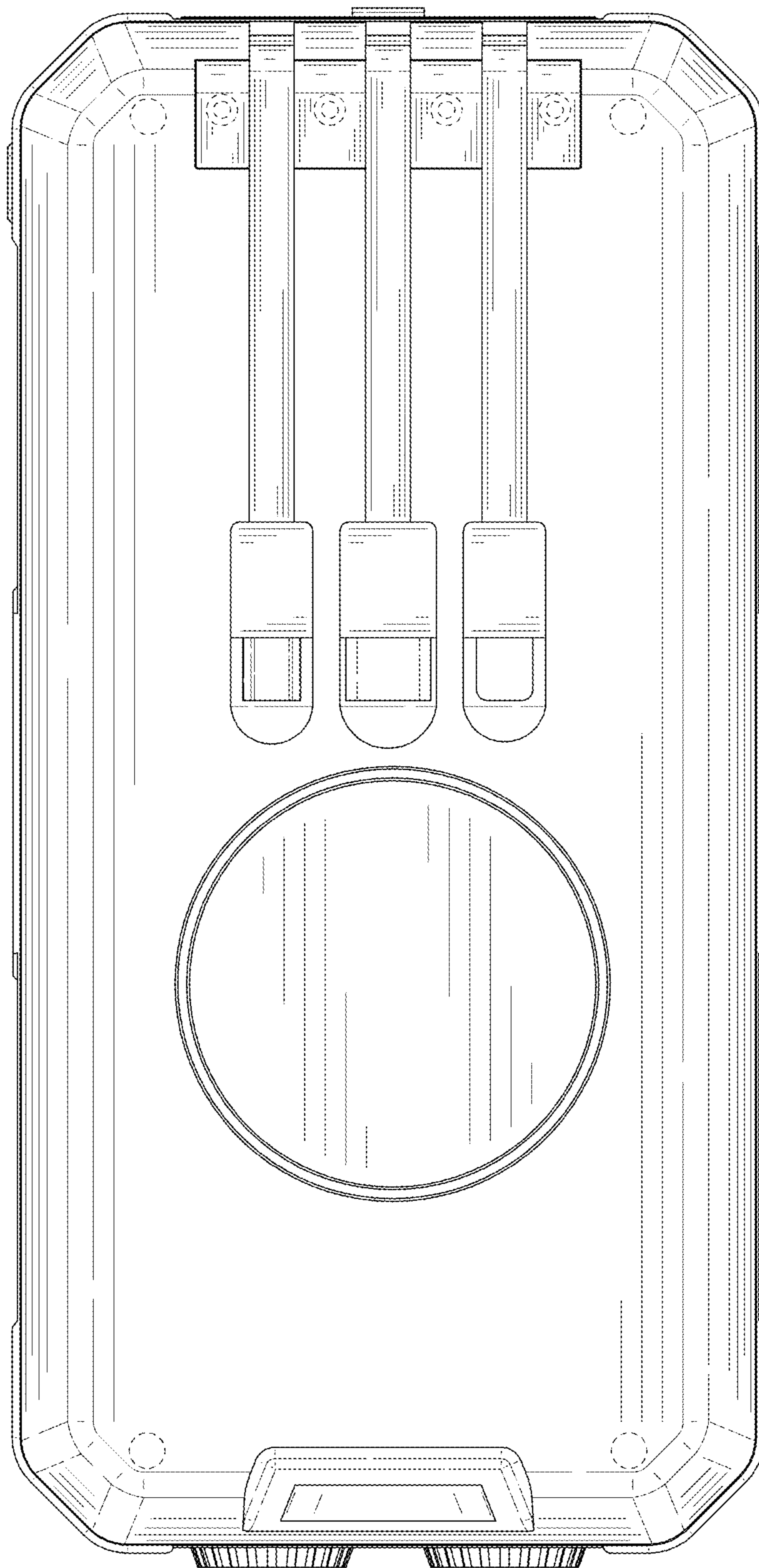


FIG. 4

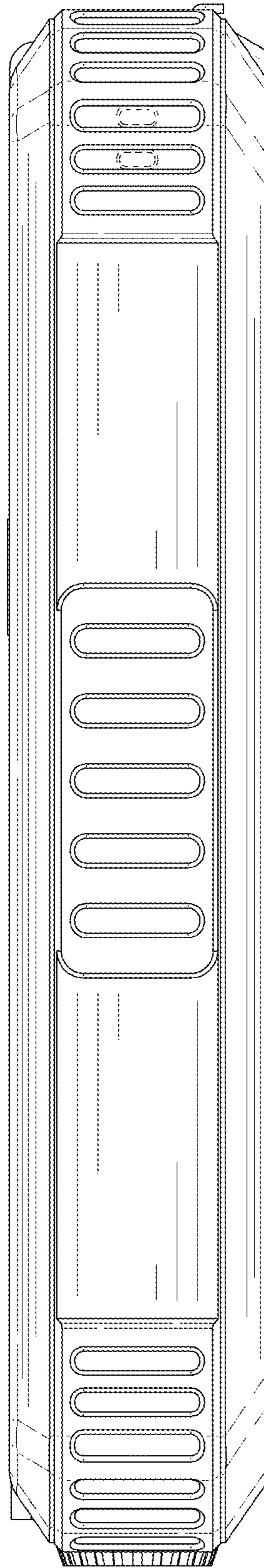


FIG. 5

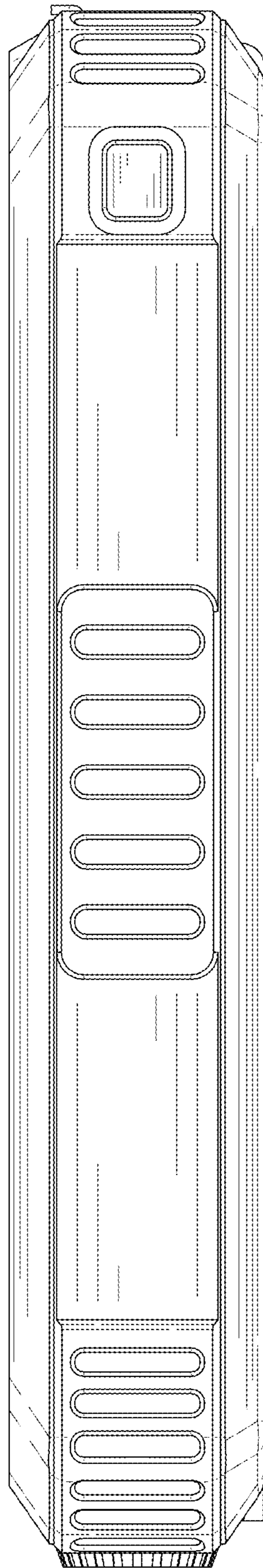


FIG. 6

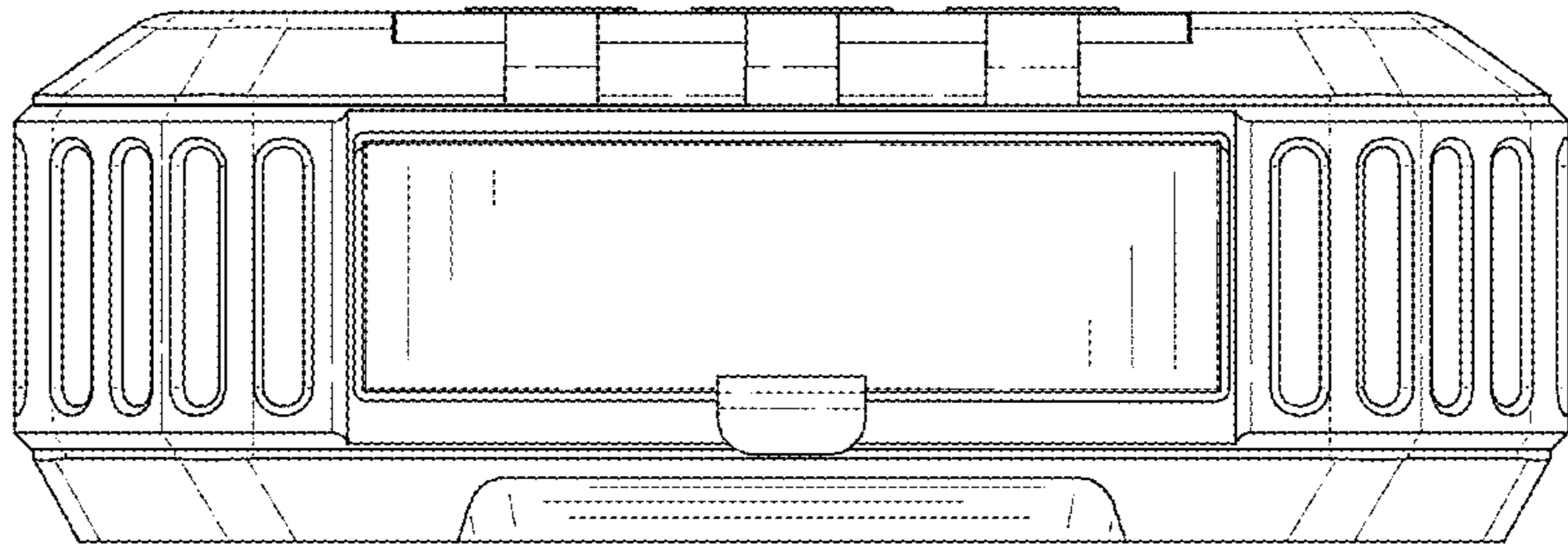


FIG. 7



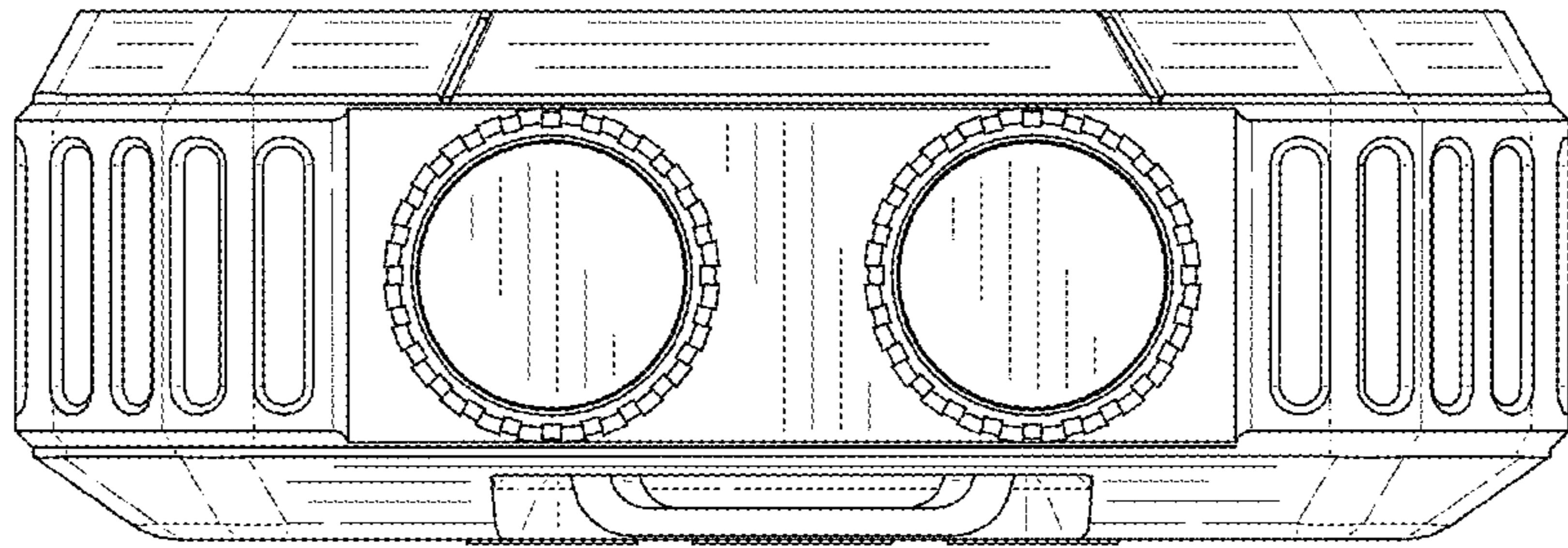


FIG. 8