



US00D918824S

(12) **United States Design Patent** (10) **Patent No.:** **US D918,824 S**  
**Kim et al.** (45) **Date of Patent:** **\*\* May 11, 2021**

(54) **DISPLAY SCREEN FOR AUTOMOBILE**

(71) Applicant: **LG Electronics Inc.**, Seoul (KR)

(72) Inventors: **Hansoo Kim**, Seoul (KR); **Sangmin Park**, Seoul (KR); **Sewon Chun**, Seoul (KR); **Seunghwan Song**, Seoul (KR)

(73) Assignee: **LG Electronics Inc.**, Seoul (KR)

(\*\*) Term: **15 Years**

(21) Appl. No.: **35/508,562**

(22) Filed: **Jun. 19, 2019**

(80) **Hague Agreement Data**

Int. Filing Date: **Jun. 19, 2019**

Int. Reg. No.: **DM/205736**

Int. Reg. Date: **Jun. 19, 2019**

Int. Reg. Pub. Date: **Feb. 14, 2020**

(30) **Foreign Application Priority Data**

Dec. 19, 2018 (KR) ..... 30-2018-0060109

(51) **LOC (13) Cl.** ..... **14-03**

(52) **U.S. Cl.**  
USPC ..... **D12/418**; D12/192

(58) **Field of Classification Search**  
USPC ..... D12/174, 175, 177, 192, 415, 418;  
D14/126–129, 133, 373, 374, 388, 389  
(Continued)

(56) **References Cited**

**U.S. PATENT DOCUMENTS**

D813,146 S \* 3/2018 Donckerwolke ..... D12/418

D883,184 S \* 5/2020 Toddenroth ..... D12/418

(Continued)

*Primary Examiner* — George D. Kirschbaum

*Assistant Examiner* — Joseph J Kukella

(74) *Attorney, Agent, or Firm* — Birch, Stewart, Kolasch & Birch, LLP

(57) **CLAIM**

The ornamental design for a display screen for automobile, as shown and described.

**DESCRIPTION**

1. Display screen for automobile

1.1 : Perspective

1.2 : Front

1.3 : Back

1.4 : Left

1.5 : Top

1.6 : Bottom

1.7 : Reference view

1.8 : Reference view 2

1.9 : Perspective view 2

1.10 : Front view 2

1.11 : Back view 2

1.12 : Left view 2

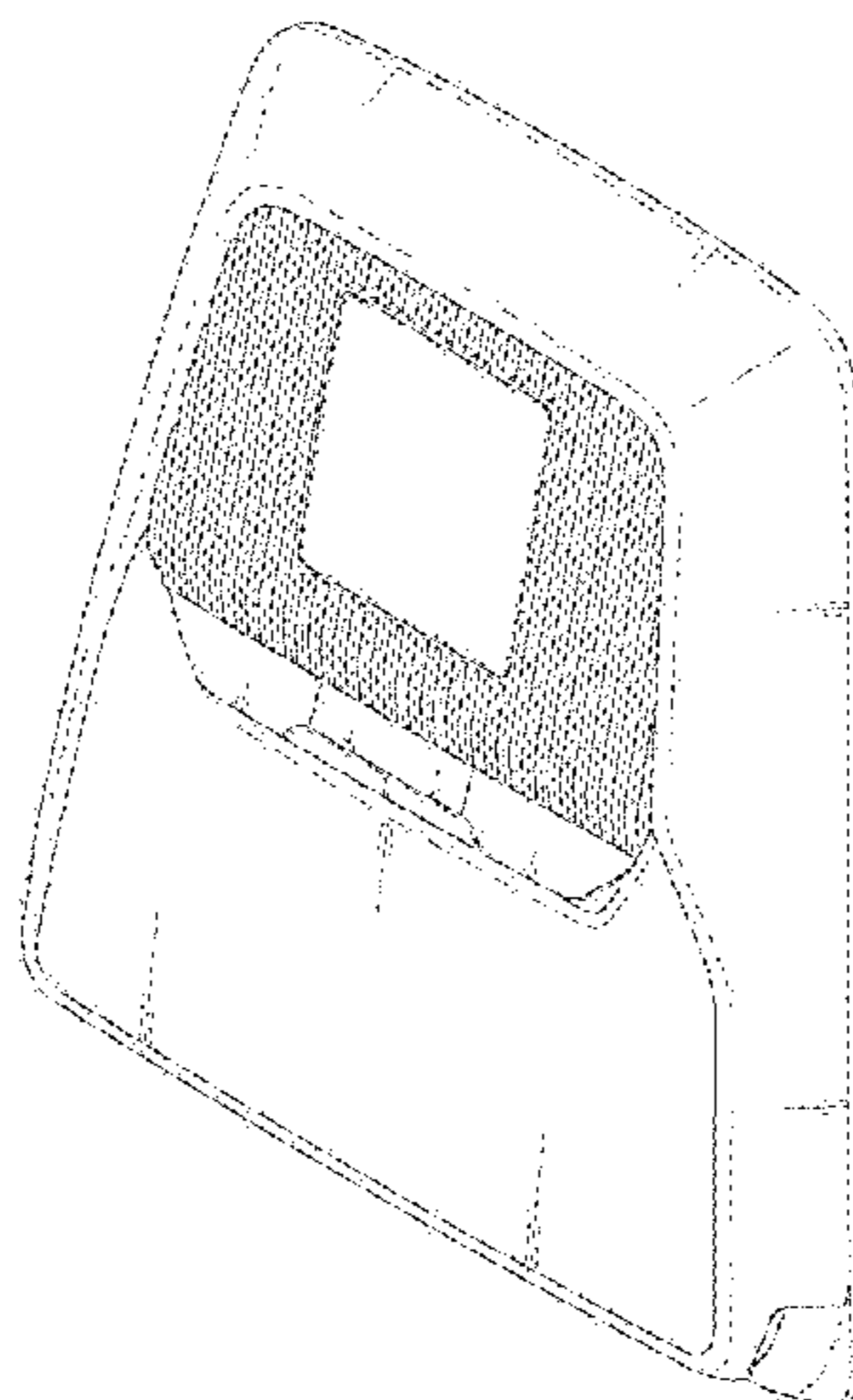
1.13 : Top view 2

1.14 : Bottom view 2

1.15 : Reference view 3

The broken lines depict portions of display screen for automobile that form no part of the claimed design; reproduction 1.1 is a front perspective view of the display screen for automobile in a hidden state; reproduction 1.2 is a front view thereof; reproduction 1.3 is a back view thereof; reproduction 1.4 is a left view thereof where the right view is a mirror image; reproduction 1.5 is a top view thereof; reproduction 1.6 is a bottom view thereof; reproduction 1.7 is a reference view showing the state in which the display begins to slide downward and forms no part of the claimed design; reproduction 1.8 is a reference view showing the use state in which the claimed design has been installed in an automobile in a hidden state and forms no part of the claimed design; reproduction 1.9 is a front perspective view thereof in which the display has been slid downward; reproduction 1.10 is front view of reproduction 1.9; reproduction 1.11 is a back view of reproduction 1.9; reproduction 1.12 is a left view of reproduction 1.9 where the right view is a mirror image; reproduction 1.13 is a top view of reproduction 1.9; reproduction 1.14 is a bottom view of

(Continued)



reproduction 1.9; reproduction 1.15 is a reference view showing the use state in which the claimed design has been installed in an automobile, in a state of the display is slid down and forms no part of the claimed design; this design is for a display screen for automobile which is installed on the top of the windshield of the automobile; normally, the rollable display is hidden in the roof of the automobile, and when it is used, the display slides down.

**1 Claim, 15 Drawing Sheets**

(58) **Field of Classification Search**

CPC .. B60K 37/04; B60K 37/06; B60K 2370/152;  
B60K 2370/1523; B60K 2370/1533;  
B60K 2370/164; B60K 2370/165; B60K  
2370/166; B60K 2370/176

See application file for complete search history.

(56)

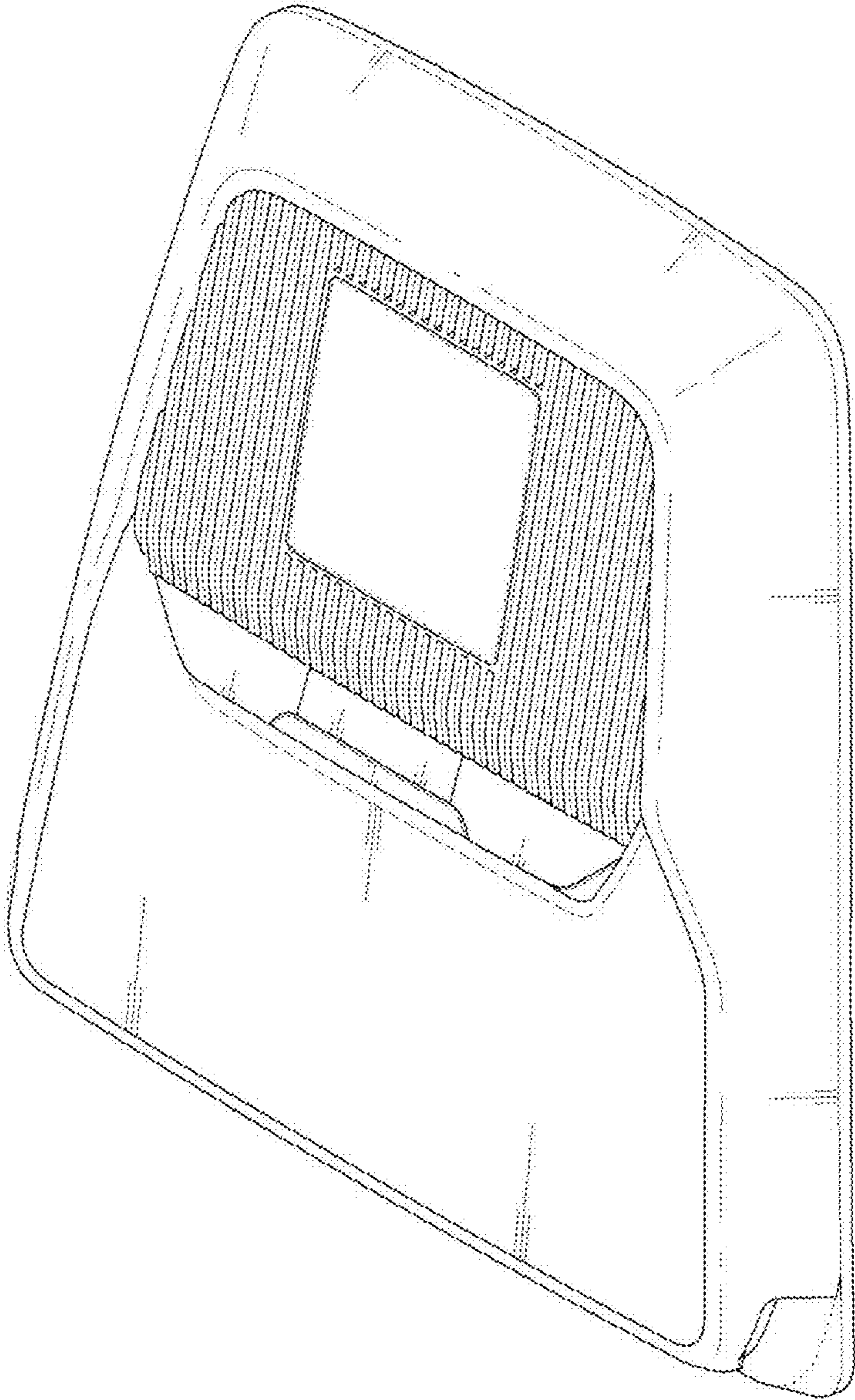
**References Cited**

U.S. PATENT DOCUMENTS

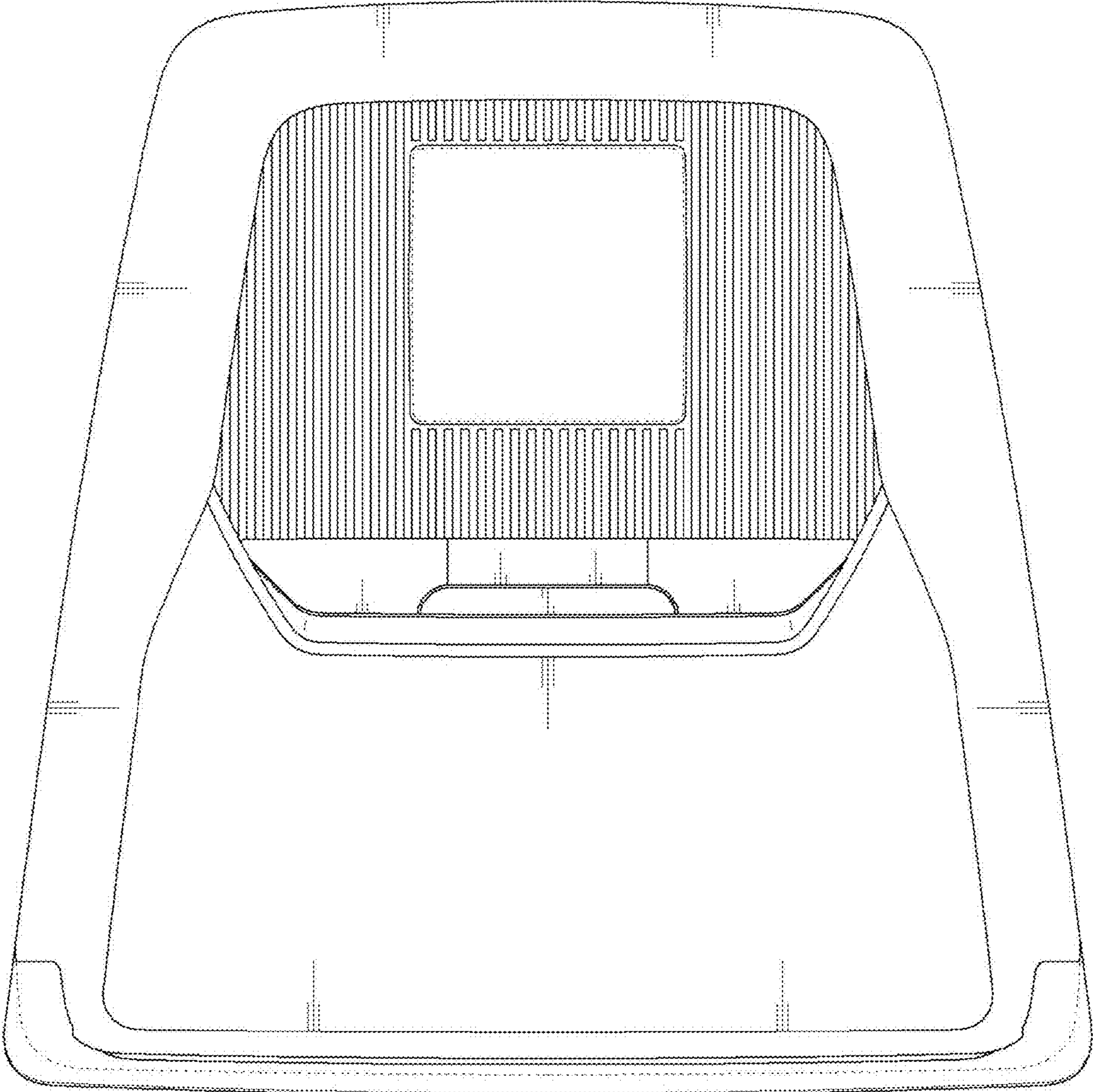
D893,476	S	*	8/2020	Winston	.....	D14/371
D895,531	S	*	9/2020	Ryberg	.....	D12/418
D897,568	S	*	9/2020	Tomasson	.....	D26/28
D900,006	S	*	10/2020	Fontaeus	.....	G06F 3/013 D12/418
2007/0119790	A1	*	5/2007	Yoshinaka	.....	B60R 11/0235 211/4
2011/0090411	A1	*	4/2011	Finneman	.....	B60R 11/0264 348/837
2016/0129839	A1	*	5/2016	Kim	.....	G06F 3/013 348/148

\* cited by examiner

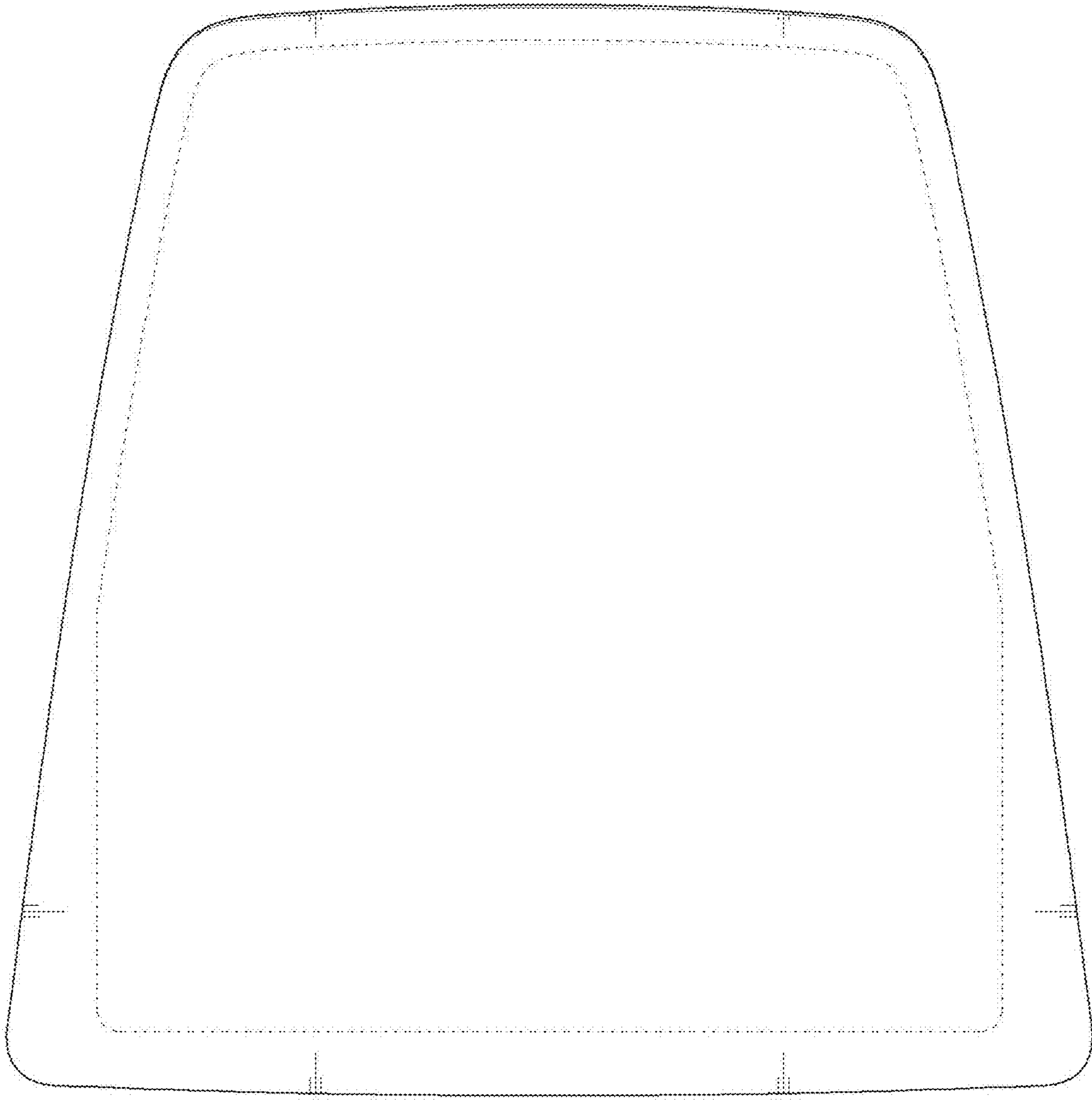
1.1



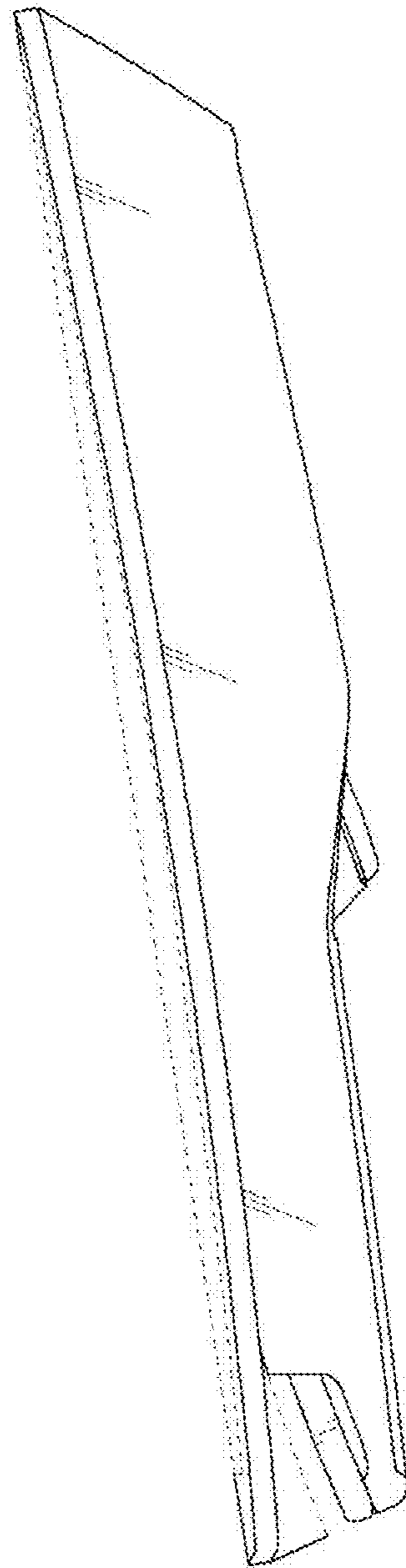
1.2



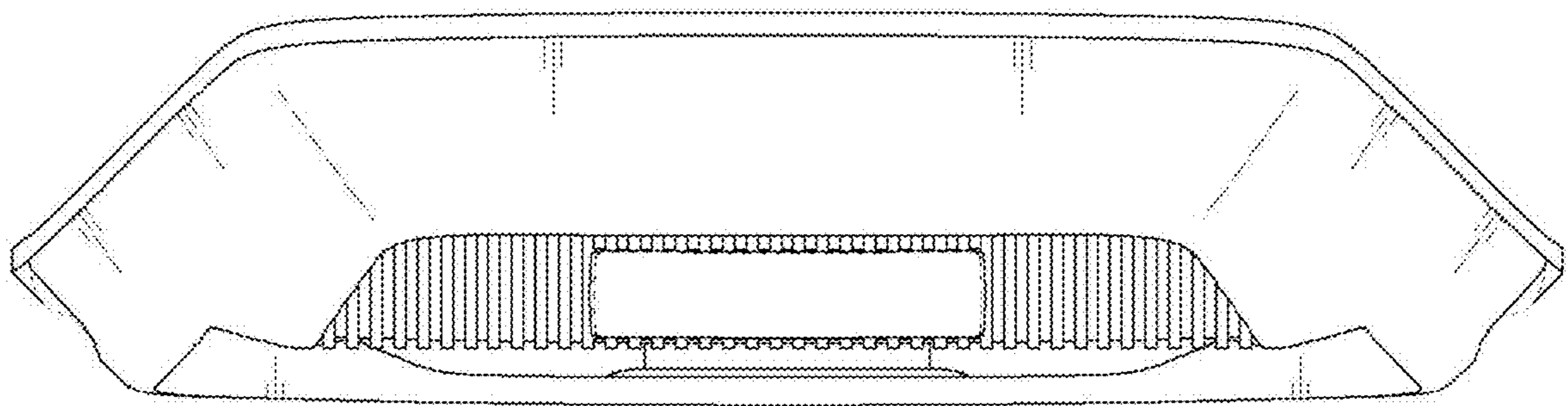
1.3



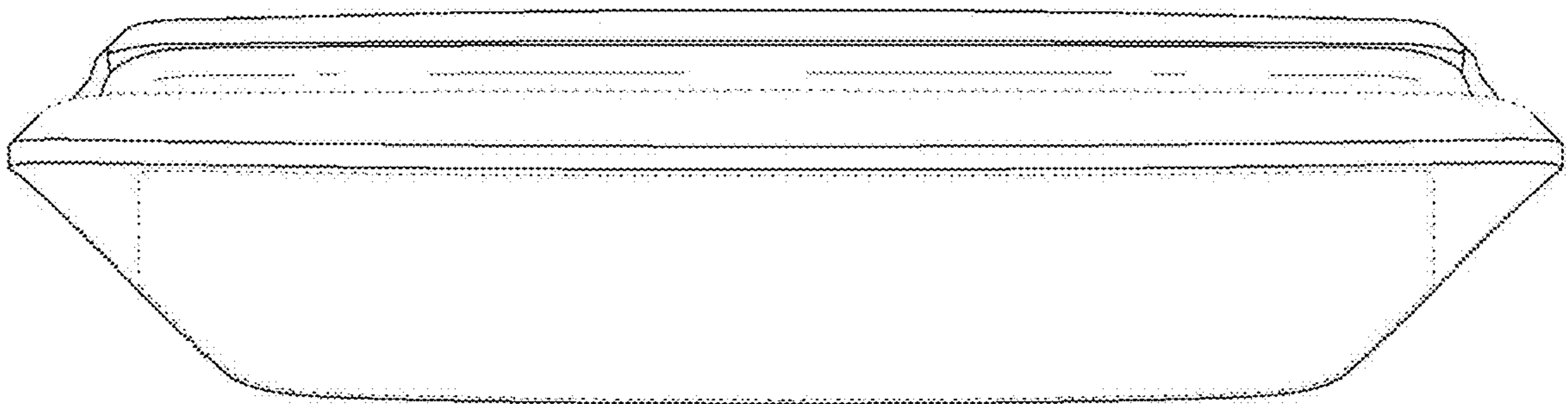
1.4



1.5

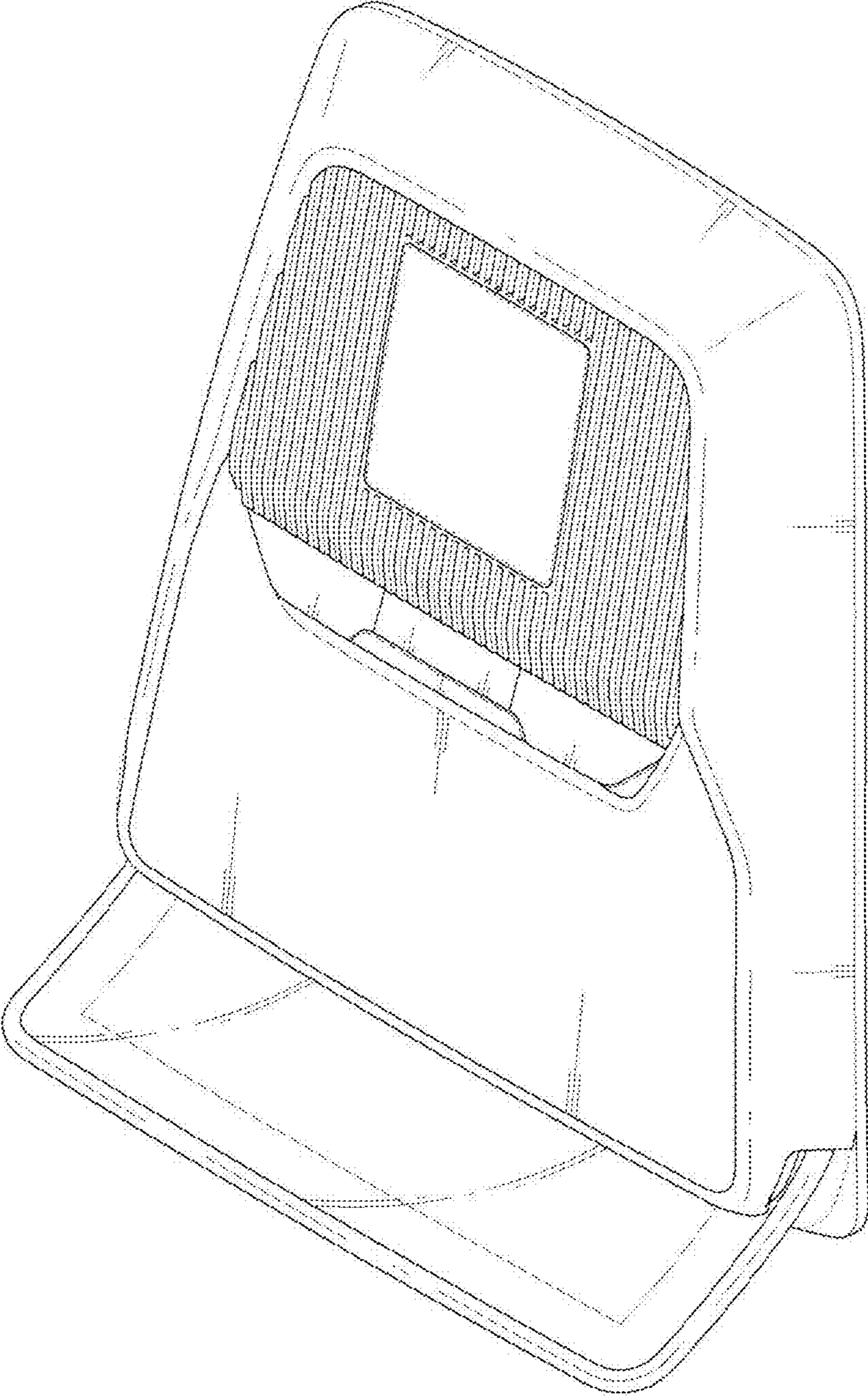


1.6

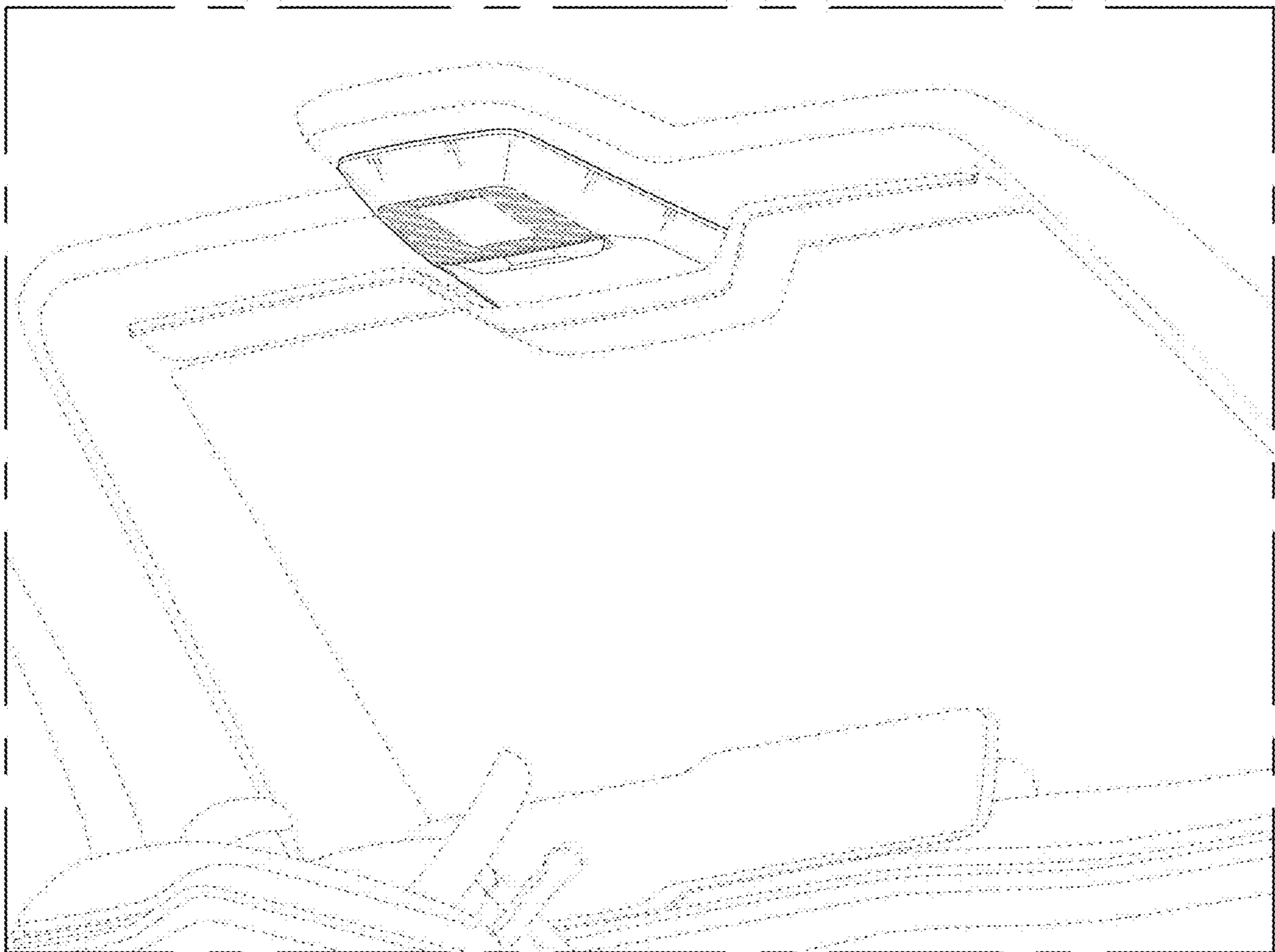




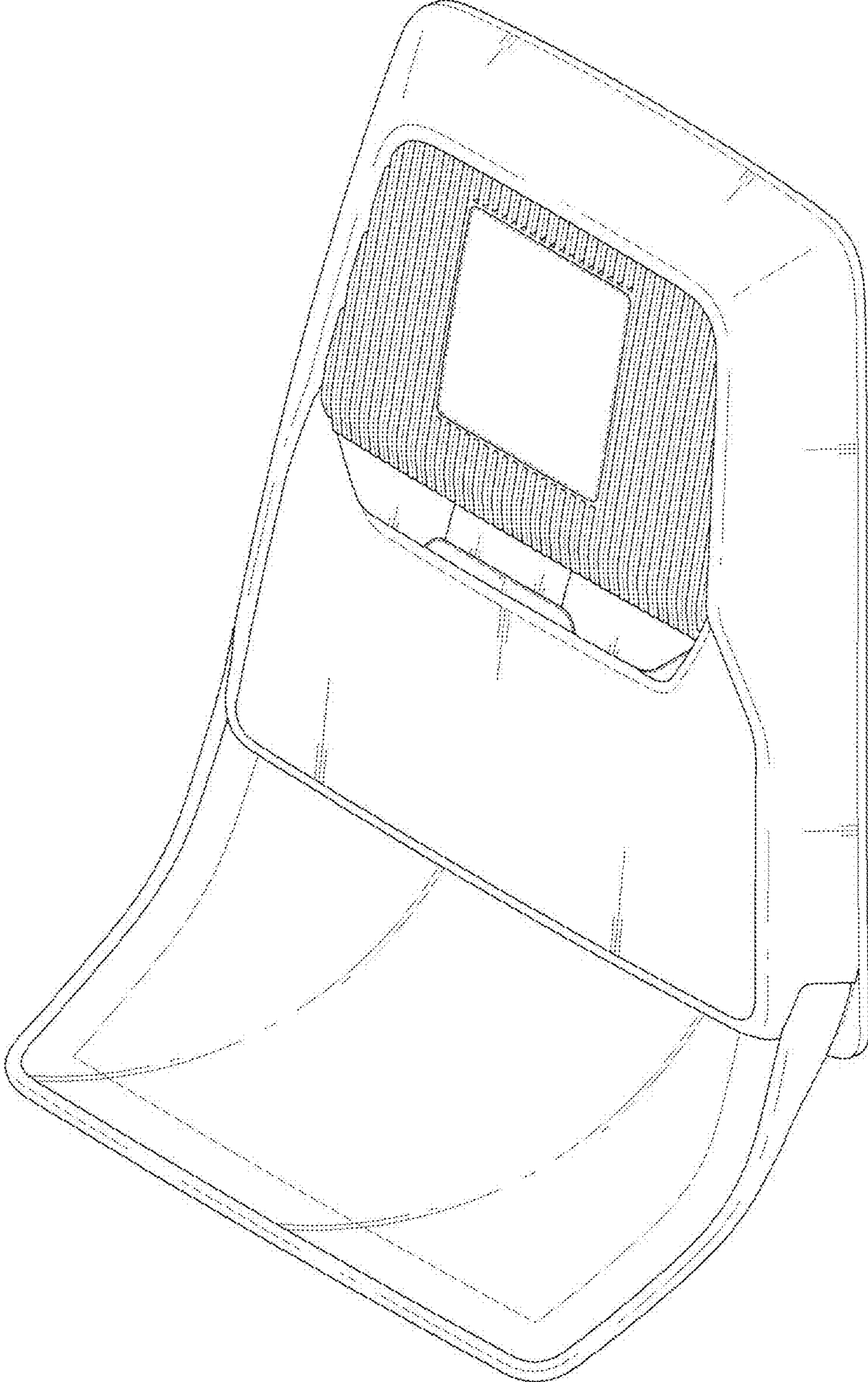
1.7



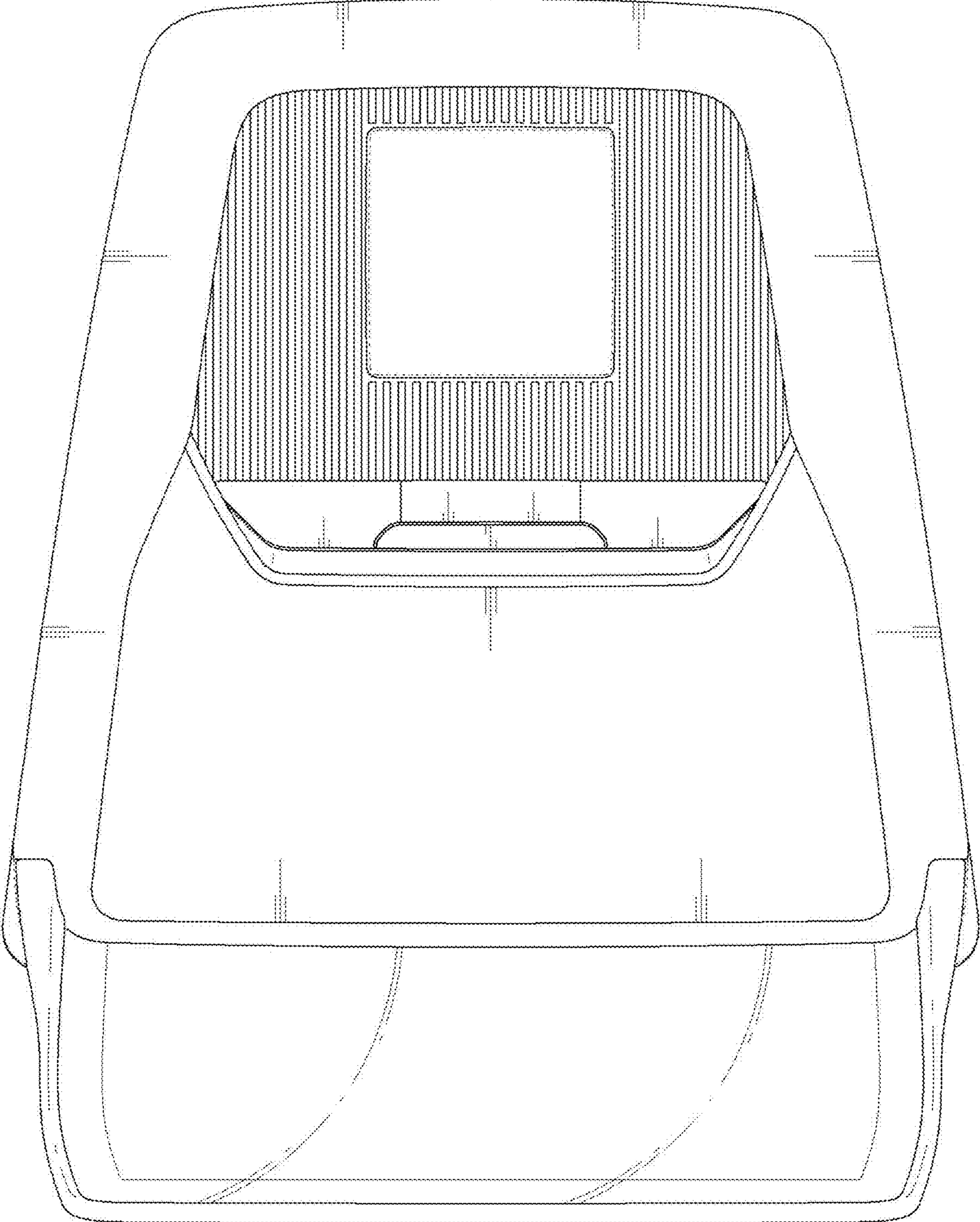
1.8



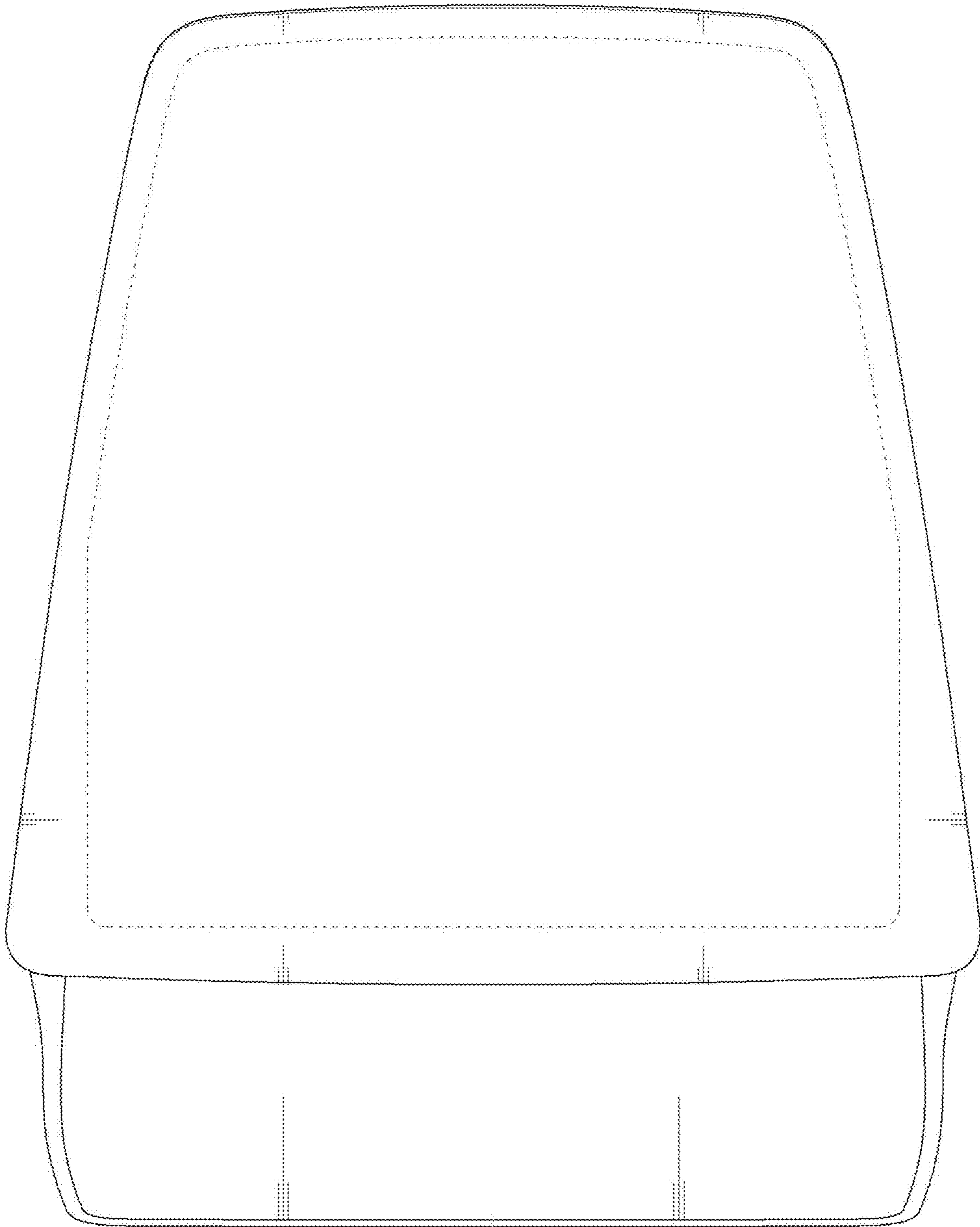
1.9



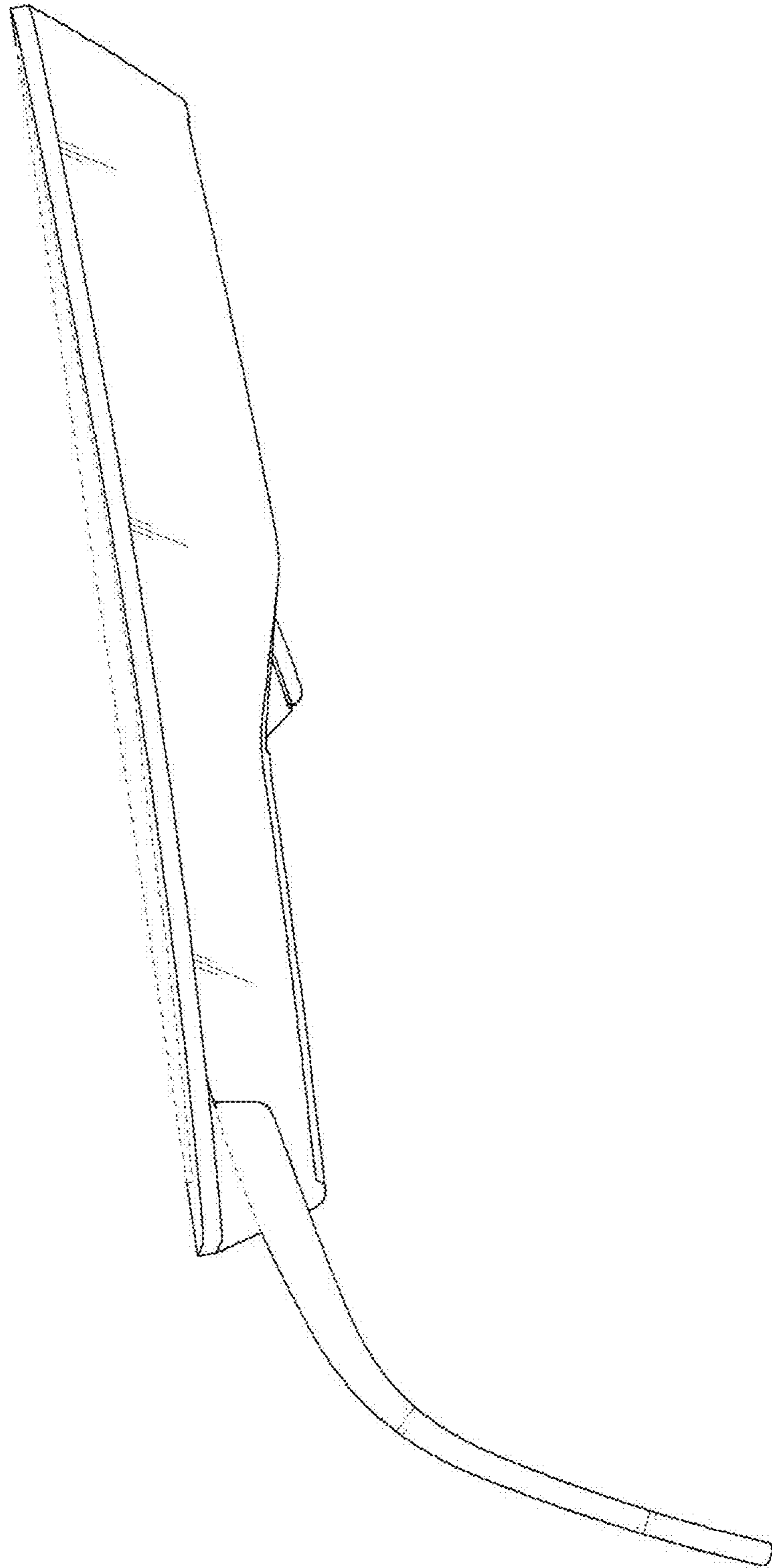
1.10



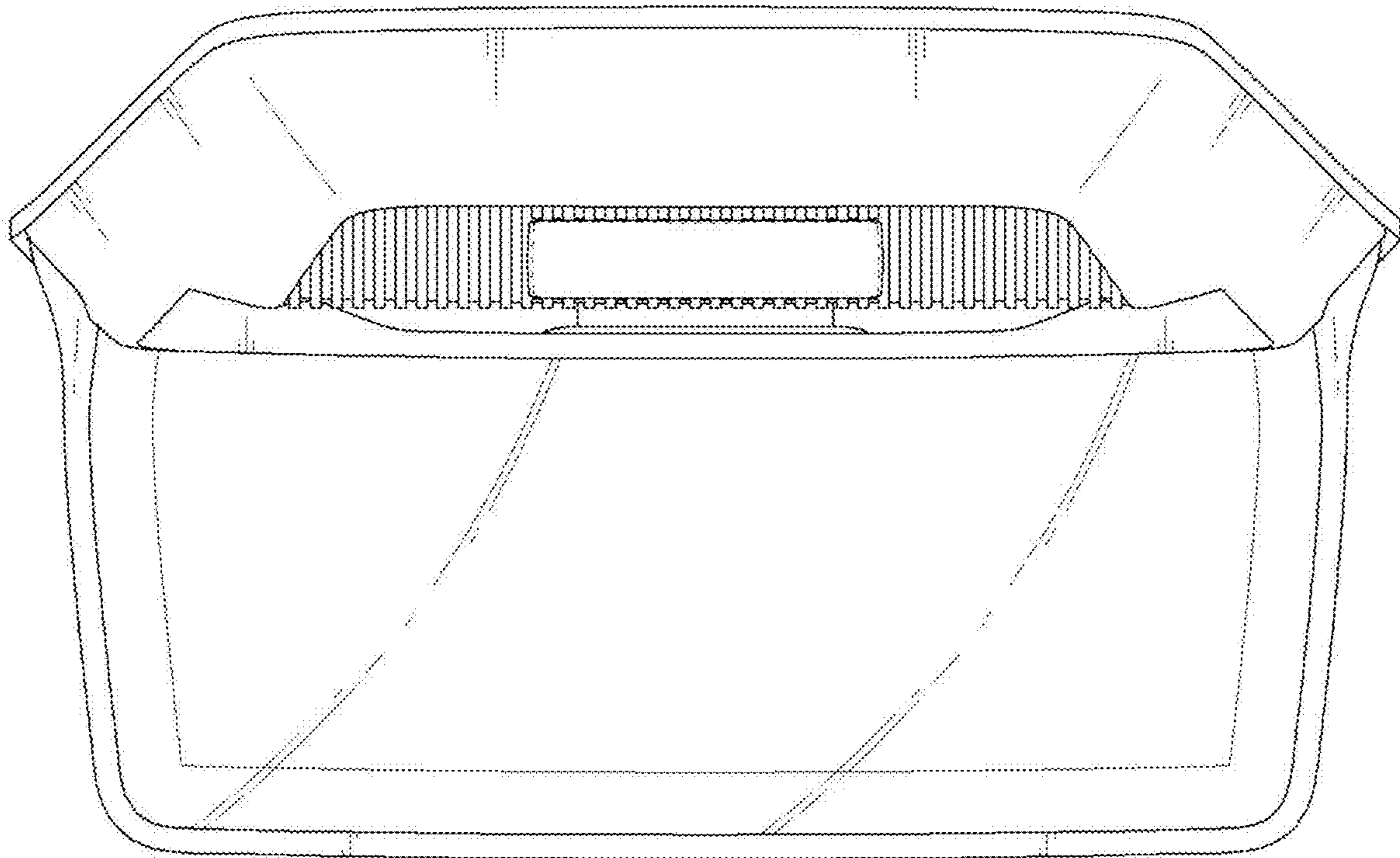
1.11



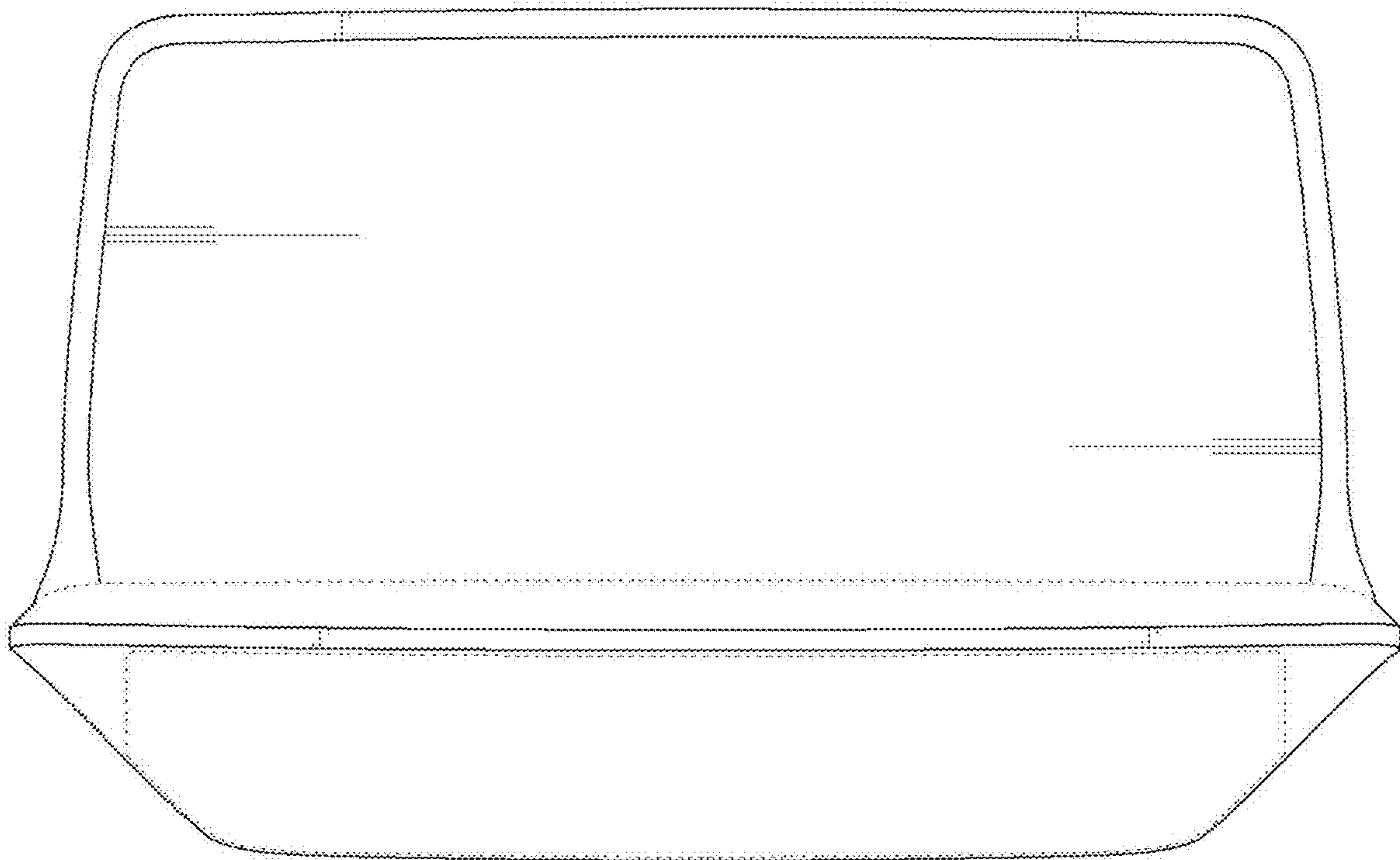
1.12



1.13



1.14





1.15

