



US00D918822S

(12) **United States Design Patent** (10) **Patent No.:** **US D918,822 S**
Yamamoto et al. (45) **Date of Patent:** **** May 11, 2021**

(54) **ADSORPTION-DESORPTION MATERIAL FOR VEHICLE CANISTERS**

(71) Applicant: **KURARAY CO., LTD.**, Kurashiki (JP)

(72) Inventors: **Takaharu Yamamoto**, Okayama (JP);
Mitsunori Nishita, Okayama (JP);
Mitsunori Hitomi, Okayama (JP);
Takayuki Yamada, Okayama (JP)

(73) Assignee: **KURARAY CO., LTD.**, Okayama (JP)

(**) Term: **15 Years**

(21) Appl. No.: **29/702,302**

(22) Filed: **Aug. 19, 2019**

Related U.S. Application Data

(62) Division of application No. 35/505,495, filed on Jun. 26, 2018 (U.S. filing date under 35 U.S.C. 384), and having an international filing date of Jun. 26, 2018, now abandoned.

Foreign Application Priority Data

(30) Dec. 27, 2017 (JP) 2017-029364
Dec. 27, 2017 (JP) 2017-029365
Dec. 27, 2017 (JP) 2017-029366
Dec. 27, 2017 (JP) 2017-029367
Dec. 27, 2017 (JP) 2017-029381

(51) **LOC (13) Cl.** **12-16**

(52) **U.S. Cl.**
USPC **D12/400**

(58) **Field of Classification Search**
USPC D12/400, 192; D15/5, 6; D23/259–261,
D23/267–268, 388, 397, 400, 406, 390;
D8/45, 400; D25/41.1, 122; D26/138,
D26/122
CPC E03C 1/22; E04H 4/1236; E03F 5/041;
A47K 3/34; F23J 13/08
See application file for complete search history.

(56) **References Cited**

U.S. PATENT DOCUMENTS

4,206,692 A * 6/1980 Johnston F23J 13/08
126/318
D427,303 S * 6/2000 Brown D23/390
D468,008 S * 12/2002 Fraser D23/390
D473,663 S * 4/2003 Chou D25/122
D558,569 S * 1/2008 Hanley A47K 3/34
D8/400
D648,662 S * 11/2011 Stephenson D12/192
(Continued)

OTHER PUBLICATIONS

Yamamoto et al., “Adsorption-Desorption Materials for Vehicle Canisters”, U.S. Appl. No. 35/505,495, filed Jun. 26, 2018.
(Continued)

Primary Examiner — Susan E Krakower

Assistant Examiner — Jerry Shiuian-Hua Hsu

(74) *Attorney, Agent, or Firm* — Keating & Bennett, LLP

(57) **CLAIM**

The ornamental design for an adsorption-desorption material for vehicle canisters, as shown and described.

DESCRIPTION

FIG. 1 is a top, front right perspective view of an adsorption-desorption material for vehicle canisters, showing our new design;

FIG. 2 is a bottom, back, right perspective view thereof;

FIG. 3 is a front view thereof;

FIG. 4 is a back view thereof;

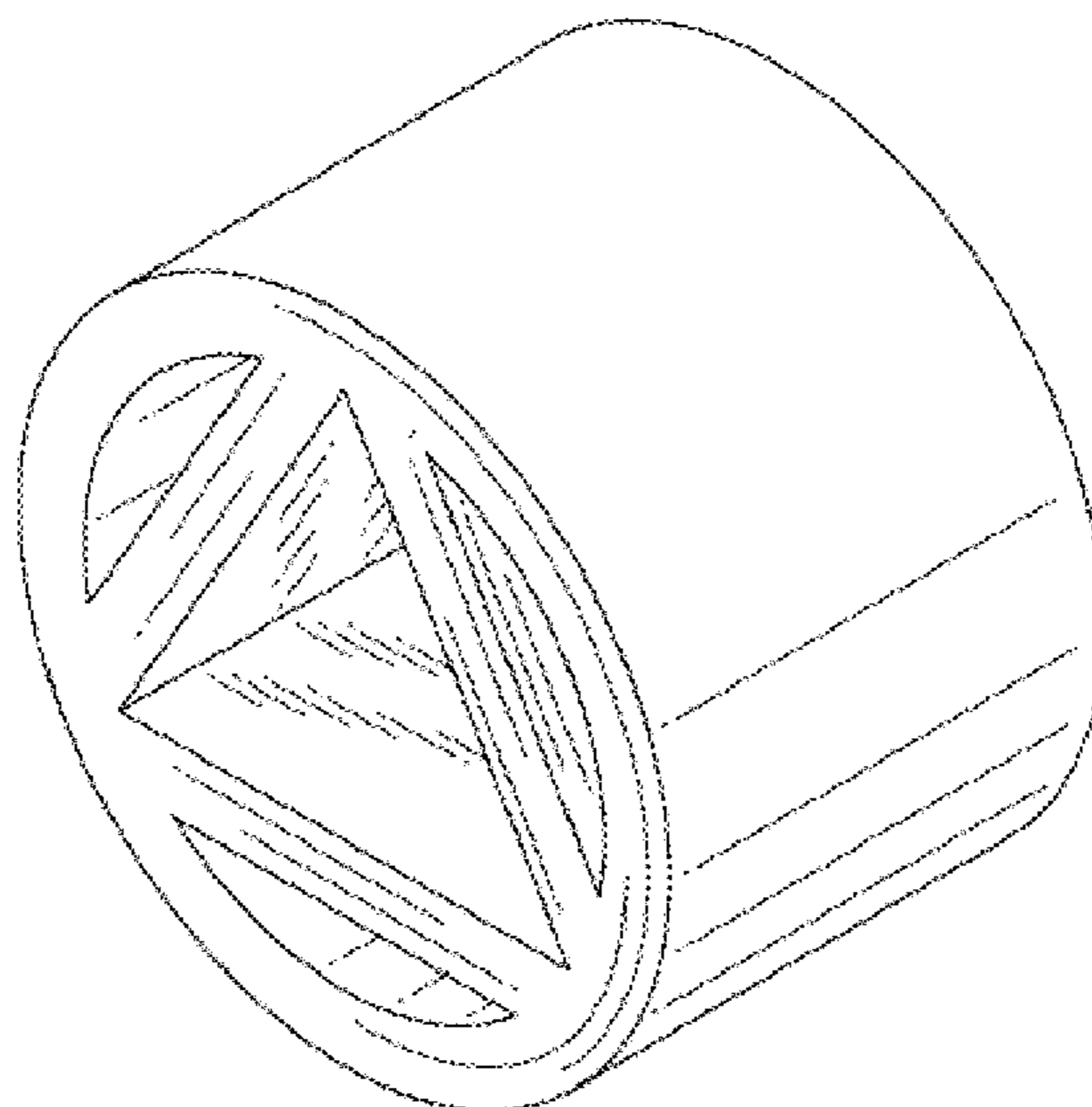
FIG. 5 is a left side view thereof;

FIG. 6 is a right side view thereof;

FIG. 7 is a top view thereof; and,

FIG. 8 is a bottom view thereof.

1 Claim, 8 Drawing Sheets



(56)

References Cited

U.S. PATENT DOCUMENTS

8,196,229 B1 * 6/2012 Hickok E03F 5/041
4/288
D727,559 S * 4/2015 Chen D26/122
D755,099 S * 5/2016 Suzuki D12/192
9,540,837 B2 * 1/2017 Mjelde E04H 4/1236
D831,795 S * 10/2018 Schluter D23/261
D871,177 S * 12/2019 Pentland D8/45
D877,934 S * 3/2020 Devitt D25/41.1
D879,367 S * 3/2020 Walsh D26/138

OTHER PUBLICATIONS

Yamamoto et al., "Adsorption-Desorption Materials for Vehicle Canisters", U.S. Appl. No. 29/702,301, filed Aug. 19, 2019.
Yamamoto et al., "Adsorption-Desorption Materials for Vehicle Canisters", U.S. Appl. No. 29/702,303, filed Aug. 19, 2019.

* cited by examiner

FIG. 1

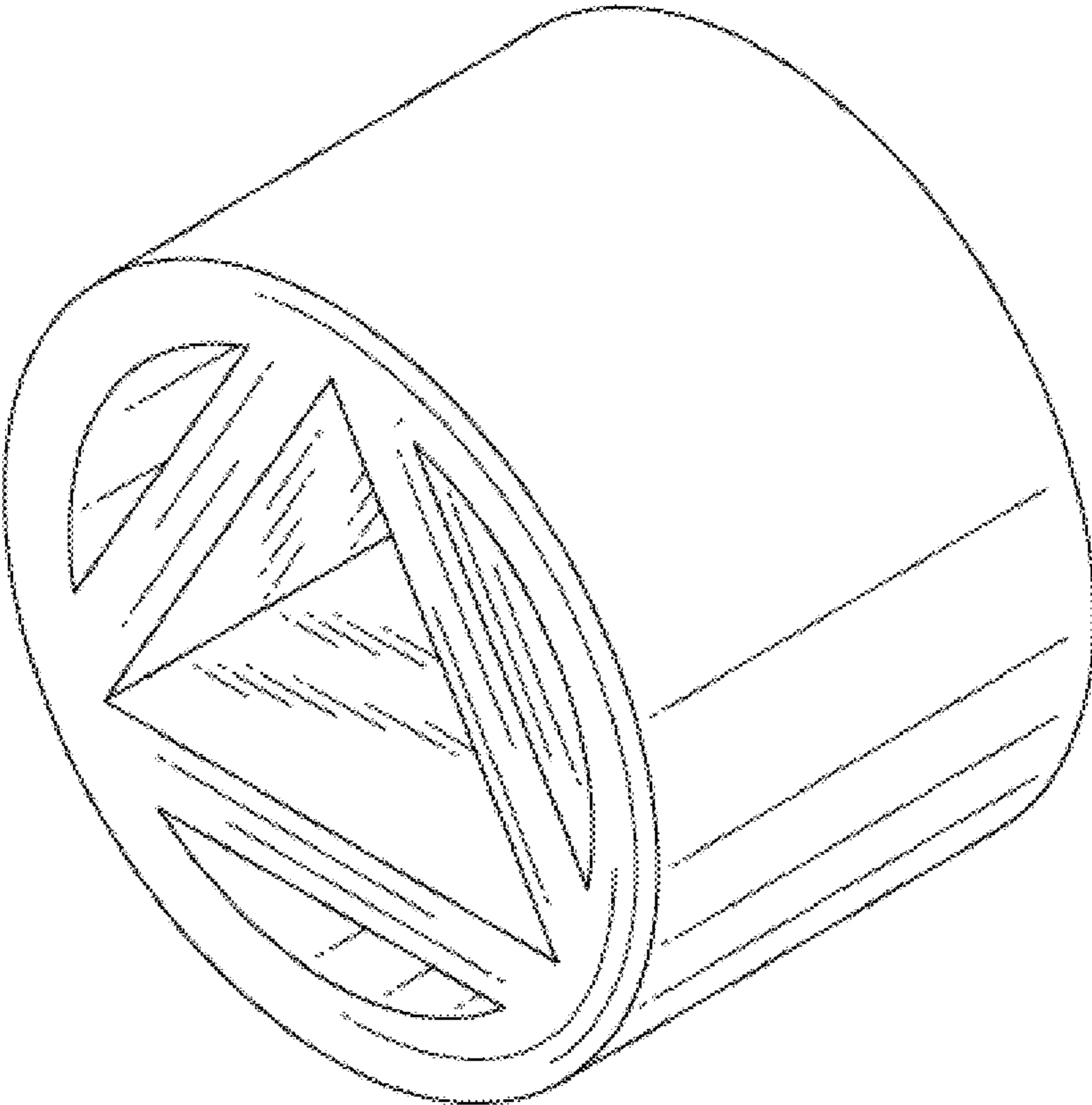


FIG. 2

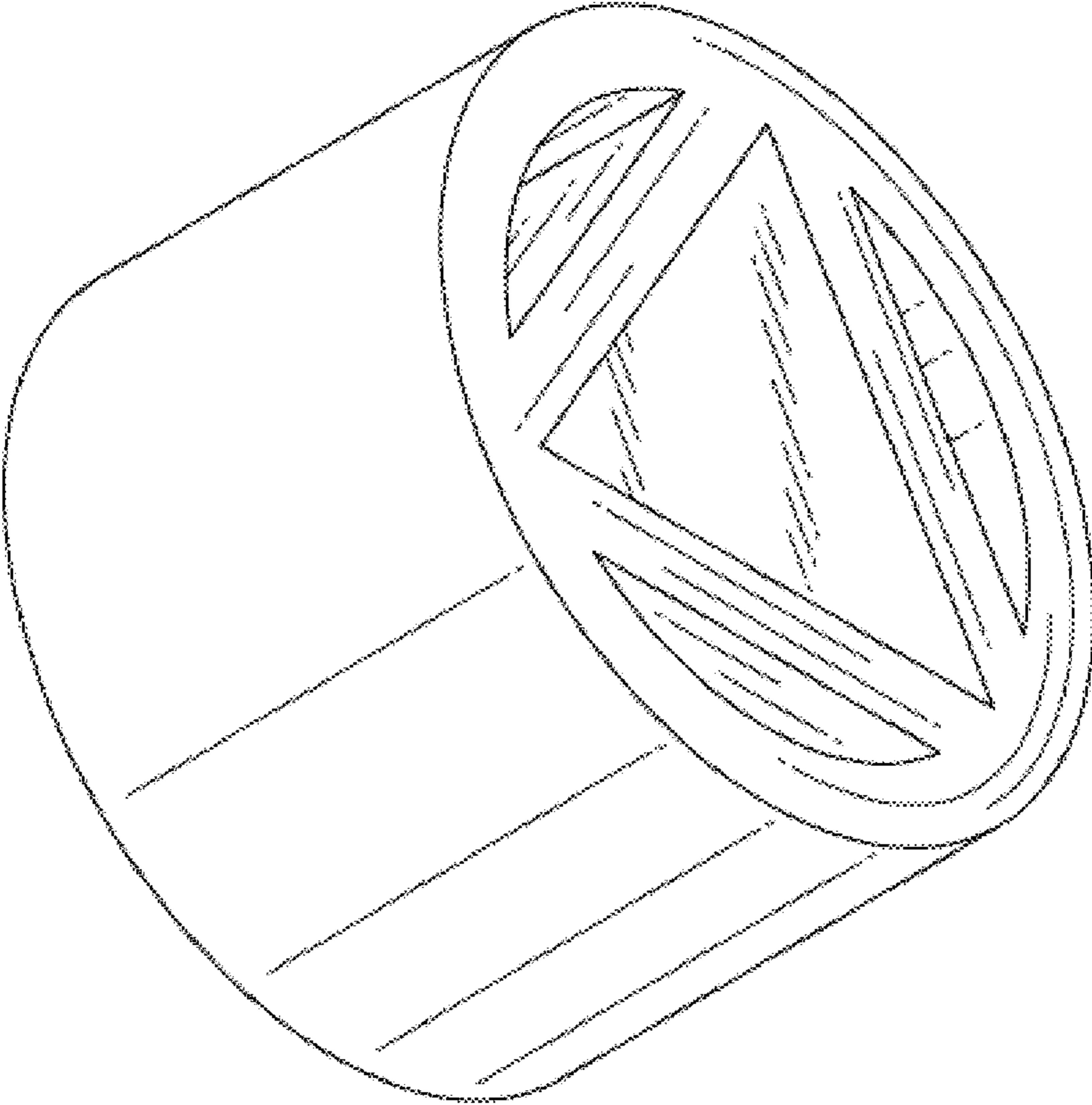


FIG. 3

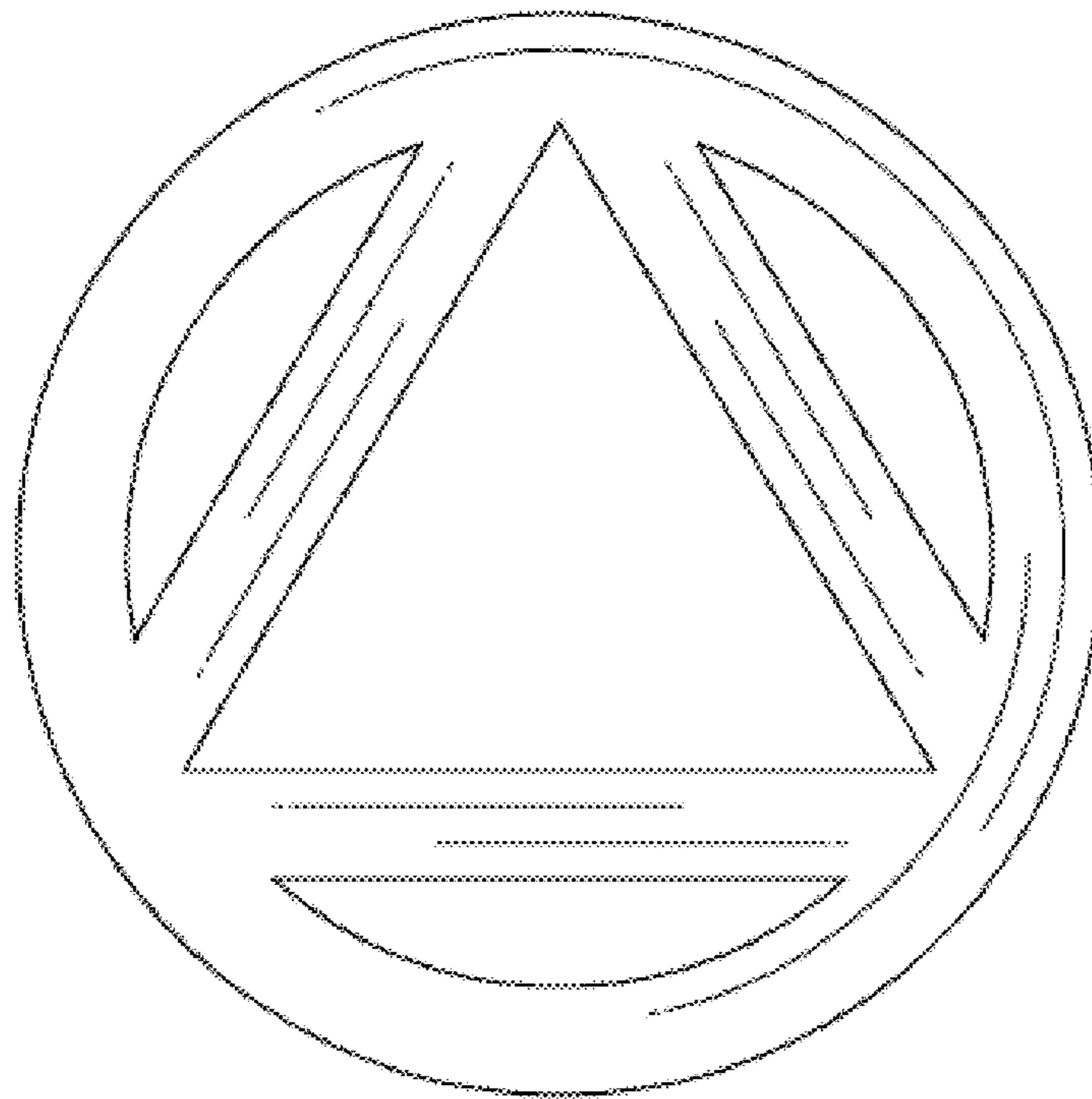


FIG. 4

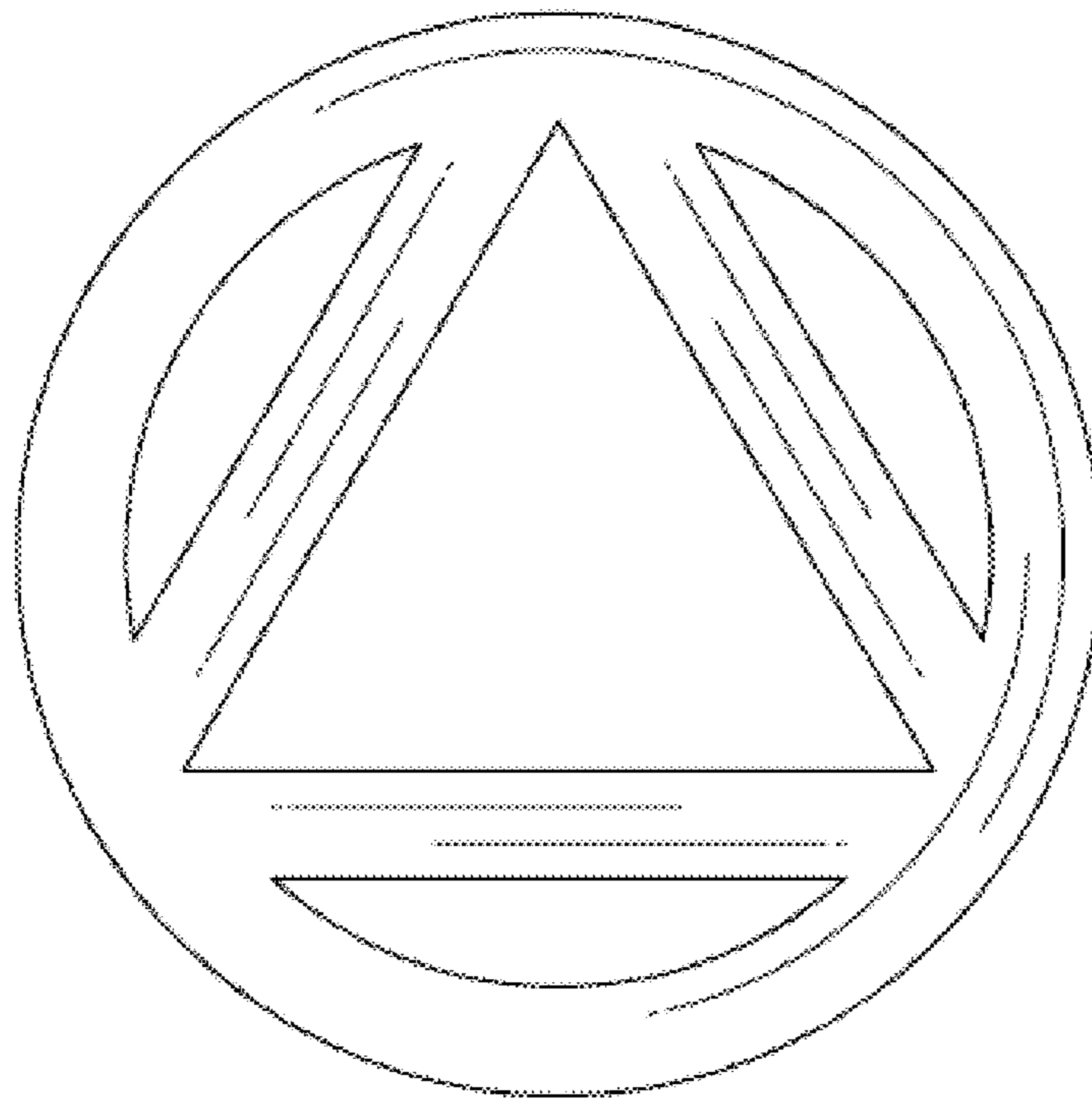


FIG. 5

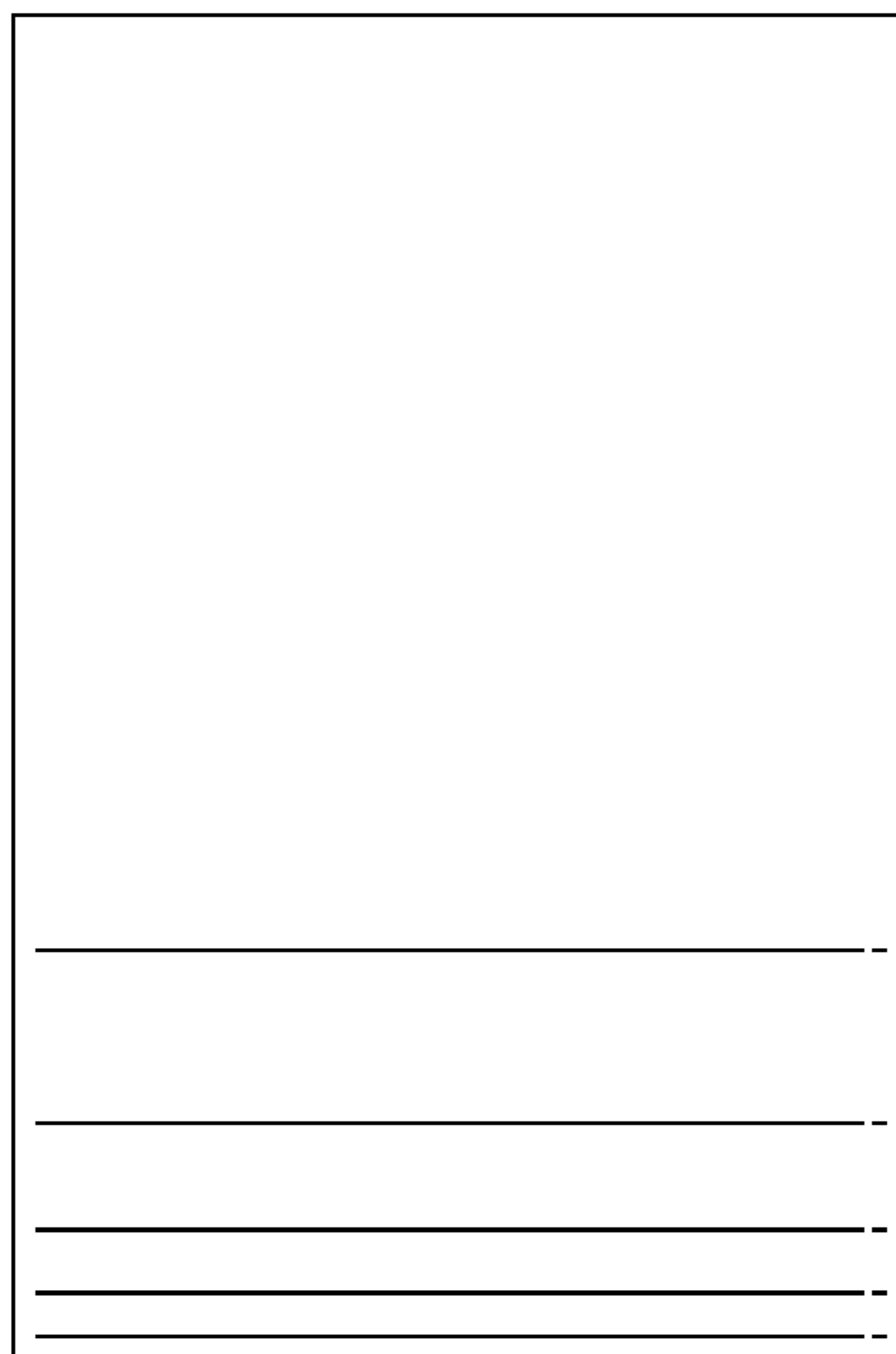


FIG. 6

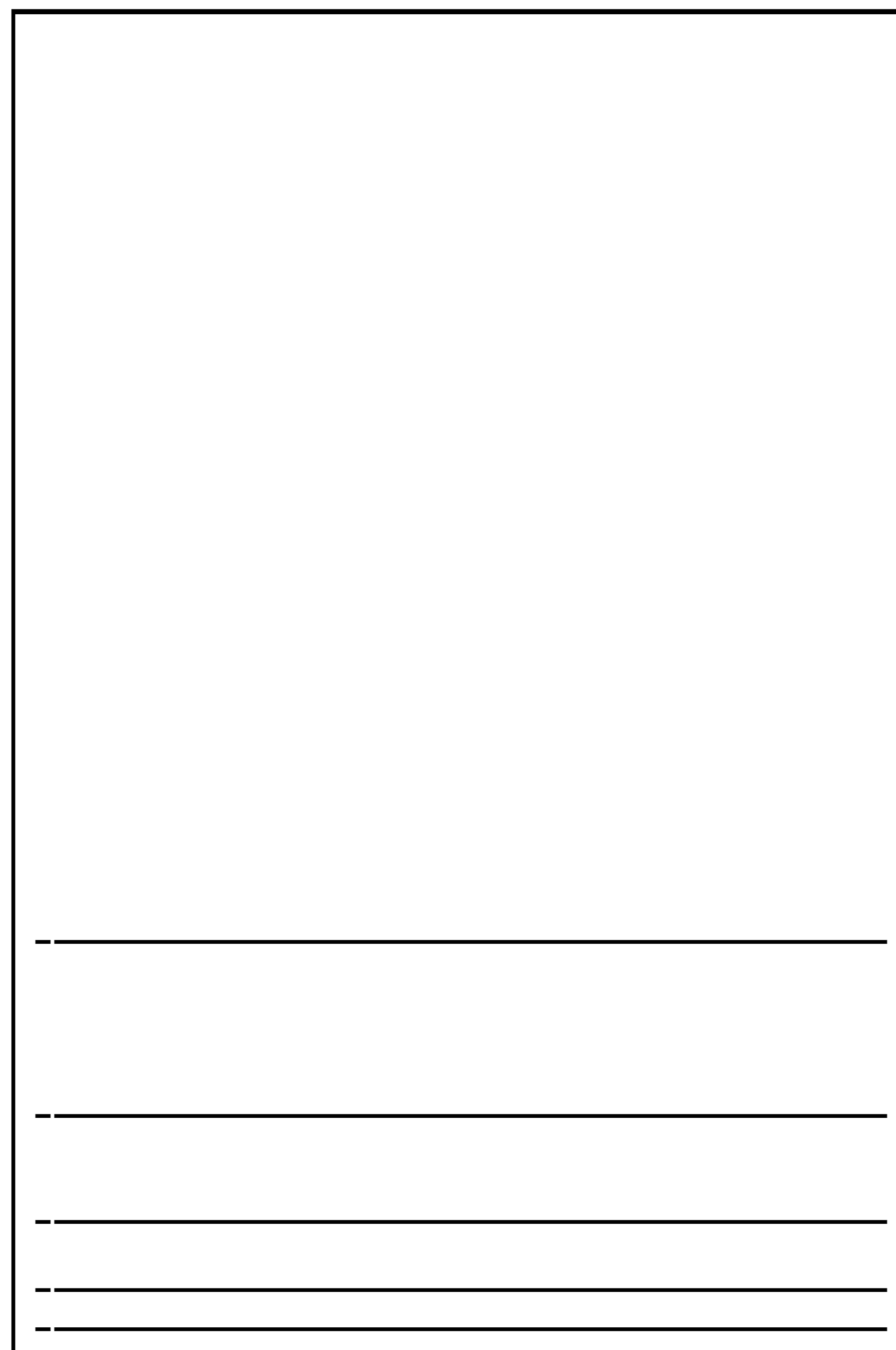


FIG. 7

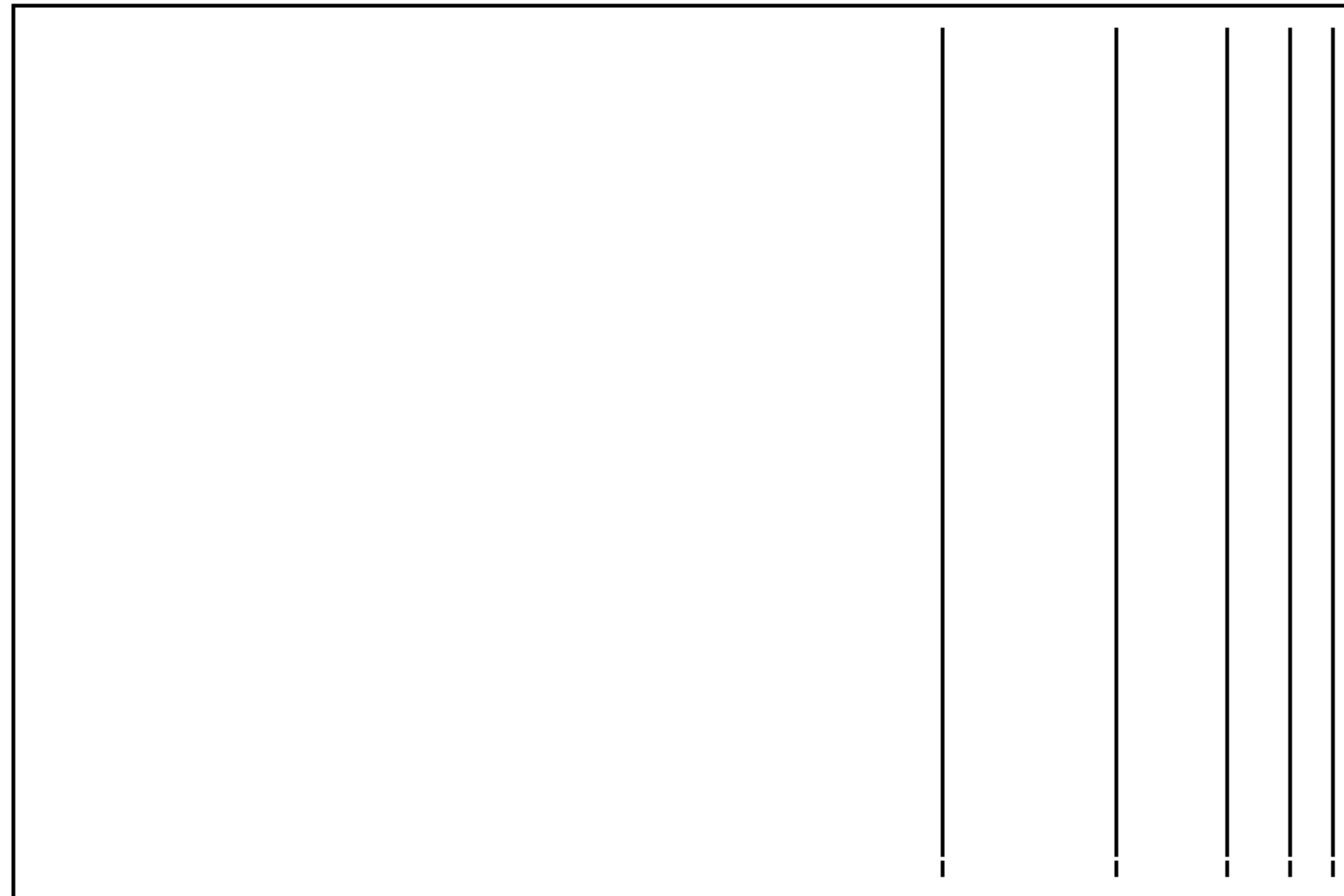


FIG. 8

