



US00D918821S

(12) **United States Design Patent** (10) **Patent No.:** **US D918,821 S**
Yamamoto et al. (45) **Date of Patent:** **** May 11, 2021**

(54) **ADSORPTION-DESORPTION MATERIAL FOR VEHICLE CANISTERS**

(71) Applicant: **KURARAY CO., LTD.**, Kurashiki (JP)

(72) Inventors: **Takaharu Yamamoto**, Okayama (JP);
Mitsunori Nishita, Okayama (JP);
Mitsunori Hitomi, Okayama (JP);
Takayuki Yamada, Okayama (JP)

(73) Assignee: **KURARAY CO., LTD.**, Okayama (JP)

(**) Term: **15 Years**

(21) Appl. No.: **29/702,301**

(22) Filed: **Aug. 19, 2019**

Related U.S. Application Data

(62) Division of application No. 35/505,495, filed on Jun. 26, 2018 (U.S. filing date under 35 U.S.C. 384), and having an international filing date of Jun. 26, 2018, now abandoned.

(30) **Foreign Application Priority Data**

Dec. 27, 2017 (JP) 2017-029364
Dec. 27, 2017 (JP) 2017-029365
Dec. 27, 2017 (JP) 2017-029366
Dec. 27, 2017 (JP) 2017-029367
Dec. 27, 2017 (JP) 2017-029381

(51) **LOC (13) Cl.** **12-16**

(52) **U.S. Cl.**
USPC **D12/400**

(58) **Field of Classification Search**
USPC D12/400, 192; D15/5, 6; D23/259–261,
D23/267–268, 388, 397, 400, 406, 390;
D8/45, 400; D25/41.1, 122; D26/138,
D26/122
CPC E03C 1/22; E04H 4/1236; E03F 5/041;
A47K 3/34; F23J 13/08

See application file for complete search history.

(56) **References Cited**

U.S. PATENT DOCUMENTS

4,206,692 A * 6/1980 Johnston F23J 13/08
126/318
D427,303 S * 6/2000 Brown D23/390
D468,008 S * 12/2002 Fraser D23/390
D473,663 S * 4/2003 Chou D25/122

(Continued)

FOREIGN PATENT DOCUMENTS

JP 5867800 B2 2/2016

OTHER PUBLICATIONS

Yamamoto et al. "Adsorption-desorption materials for vehicle canisters", U.S. Appl. No. 35/505,495, filed Jun. 26, 2018.

(Continued)

Primary Examiner — Susan E Krakower

Assistant Examiner — Jerry Shiu-an-Hua Hsu

(74) *Attorney, Agent, or Firm* — Keating & Bennett, LLP

(57) **CLAIM**

The ornamental design for an adsorption-desorption material for vehicle canisters, as shown and described.

DESCRIPTION

FIG. 1 is a top, front right perspective view of an adsorption-desorption material for vehicle canisters, showing our new design;

FIG. 2 is a bottom, back, right perspective view thereof;

FIG. 3 is a front view thereof;

FIG. 4 is a back view thereof;

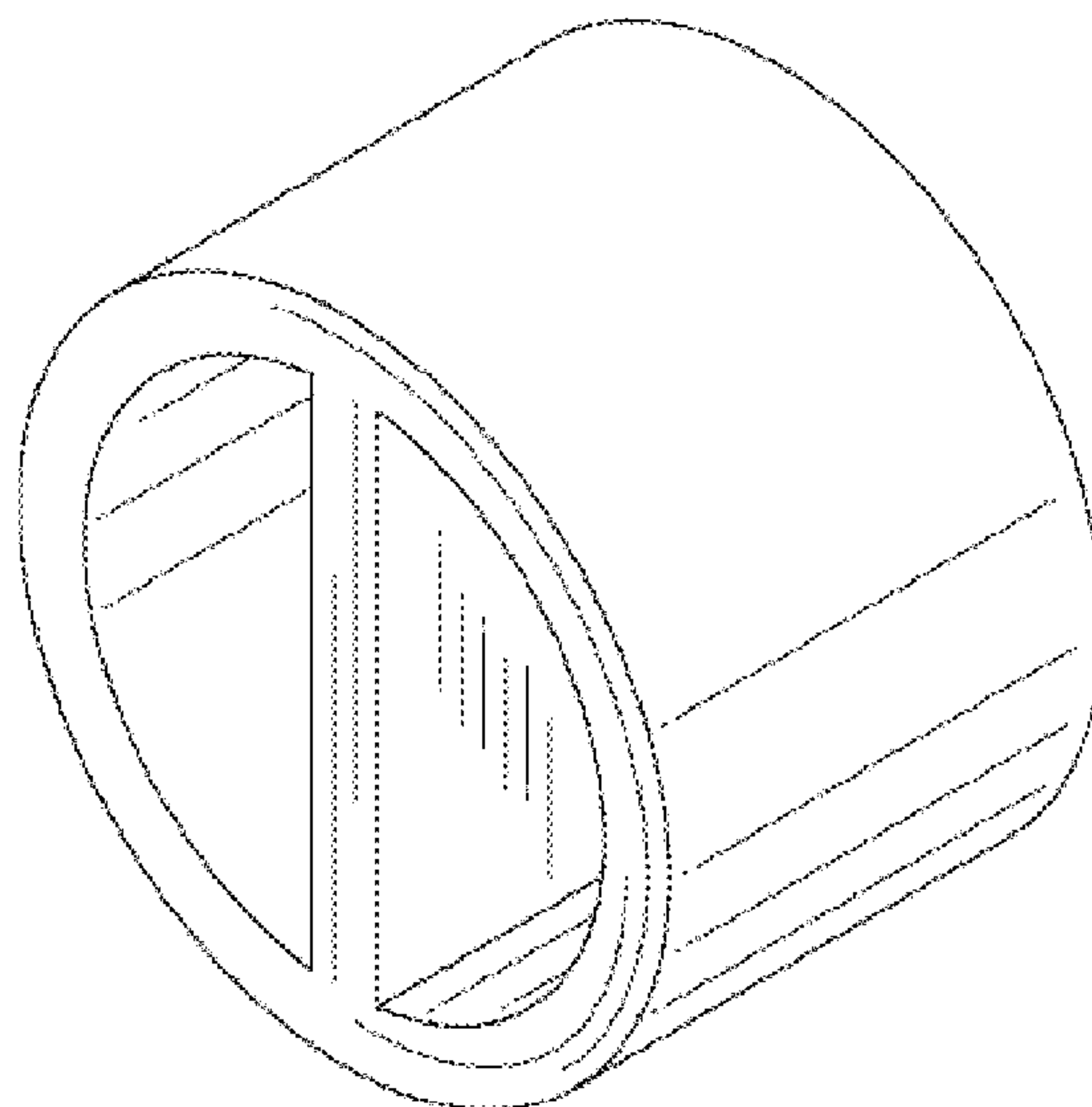
FIG. 5 is a left side view thereof;

FIG. 6 is a right side view thereof;

FIG. 7 is a top view thereof; and,

FIG. 8 is a bottom view thereof.

1 Claim, 8 Drawing Sheets



(56)

References Cited

U.S. PATENT DOCUMENTS

D558,569 S * 1/2008 Hanley A47K 3/34
D8/400
D648,662 S * 11/2011 Stephenson D12/192
8,196,229 B1 * 6/2012 Hickok E03F 5/041
4/288
D727,559 S * 4/2015 Chen D26/122
D755,099 S * 5/2016 Suzuki D12/192
9,540,837 B2 * 1/2017 Mjelde E04H 4/1236
D831,795 S * 10/2018 Schluter D23/261
D871,177 S * 12/2019 Pentland D8/45
D877,934 S * 3/2020 Devitt D25/41.1
D879,367 S * 3/2020 Walsh D26/138
2014/0124385 A1 5/2014 Yamasaki et al.

OTHER PUBLICATIONS

Yamamoto et al., "Adsorption-desorption materials for vehicle canisters", U.S. Appl. No. 29/707,302, filed Aug. 19, 2019.

Yamamoto et al., "Adsorption-desorption materials for vehicle canisters", U.S. Appl. No. 29/703,303, filed Aug. 19, 2019.

* cited by examiner

FIG. 1

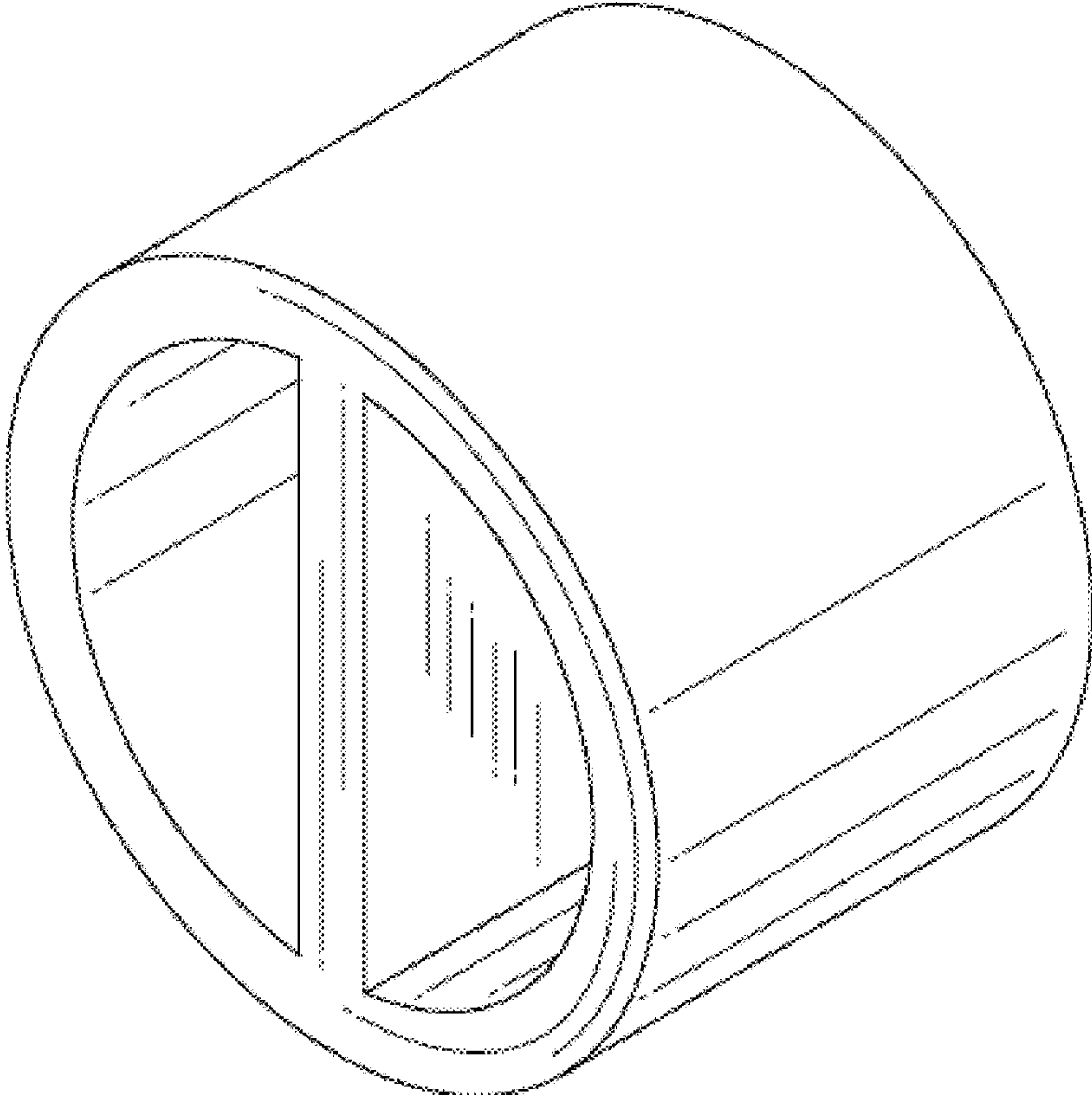


FIG. 2

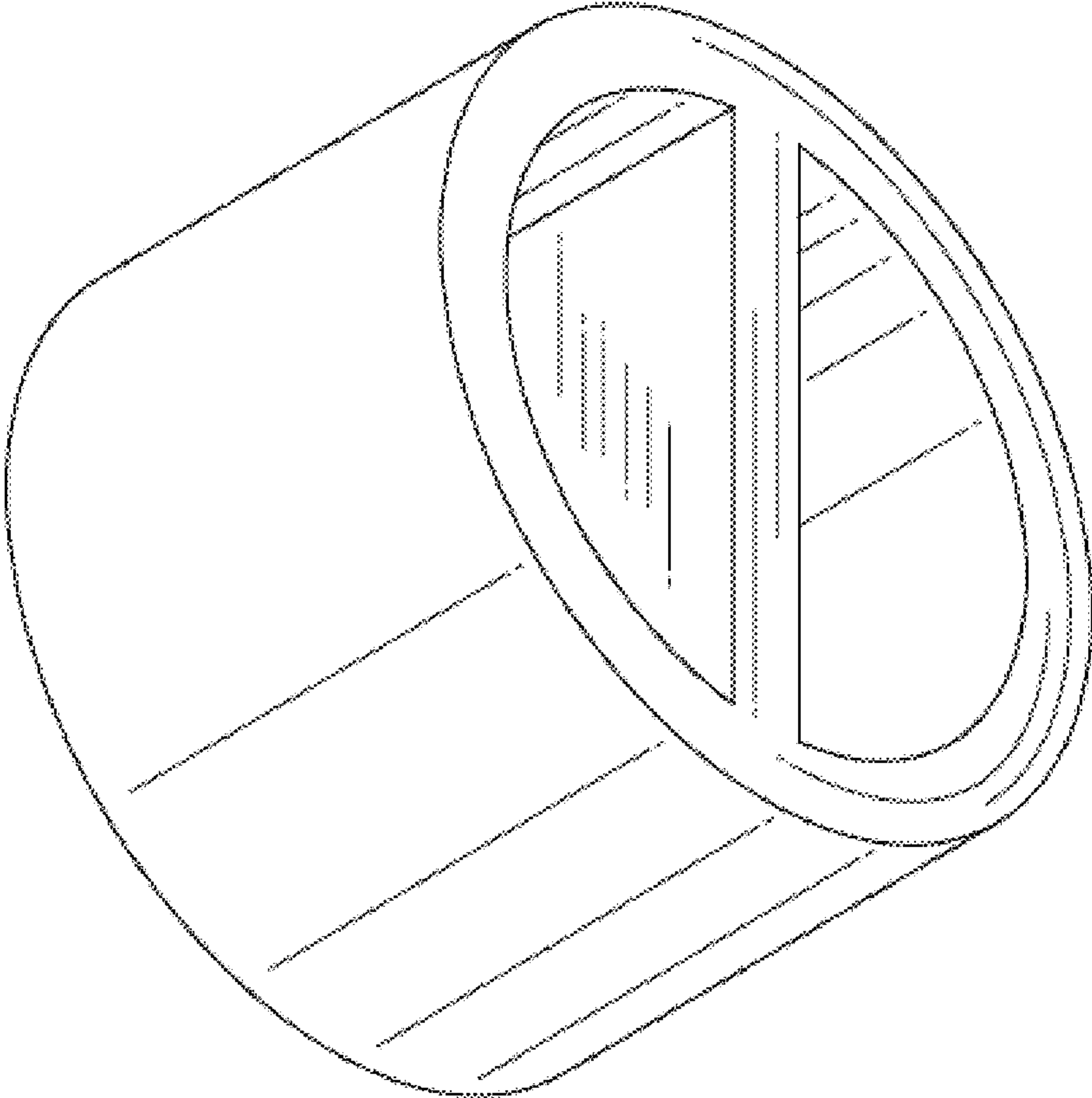


FIG. 3

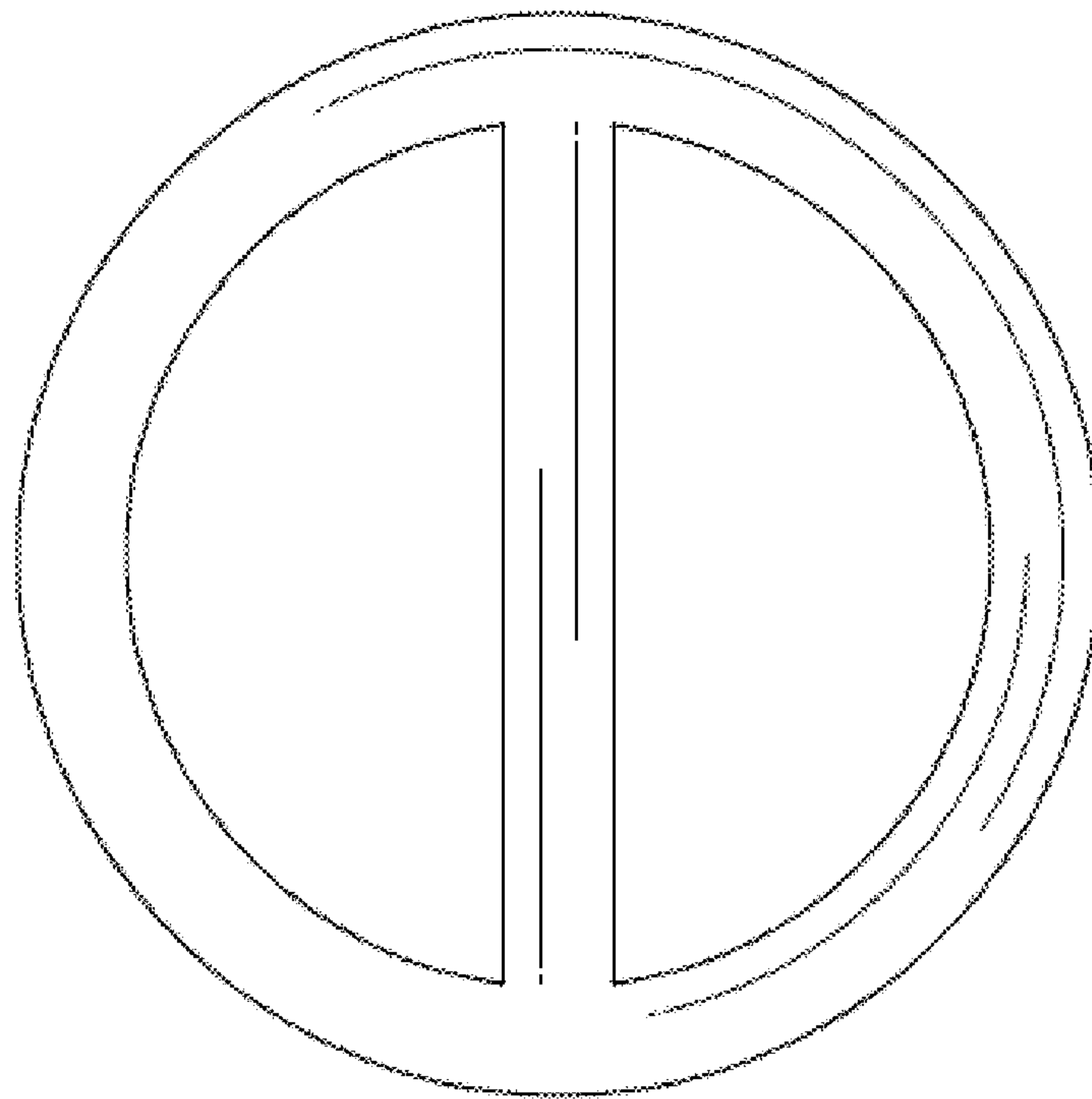


FIG. 4

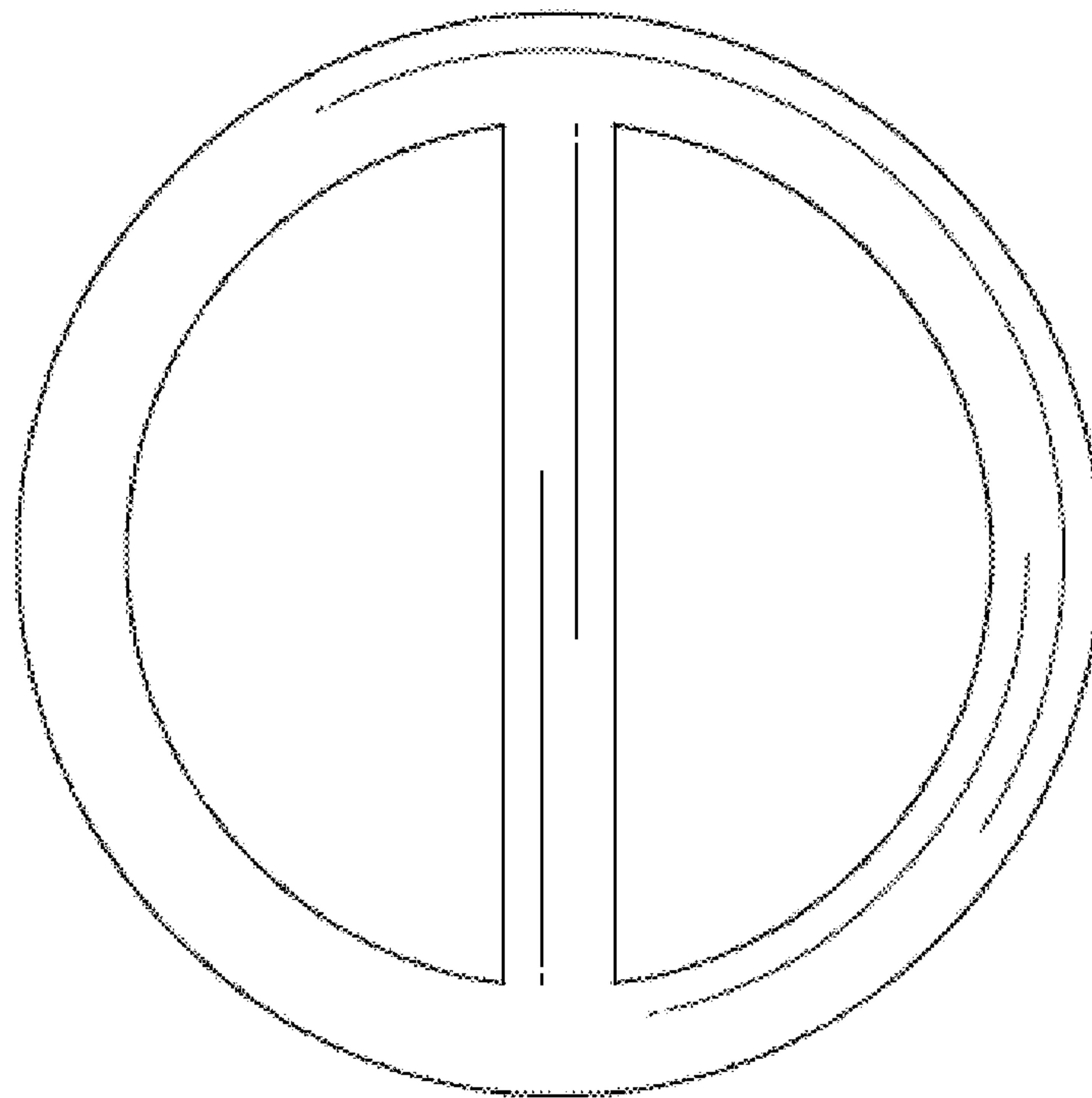


FIG. 5

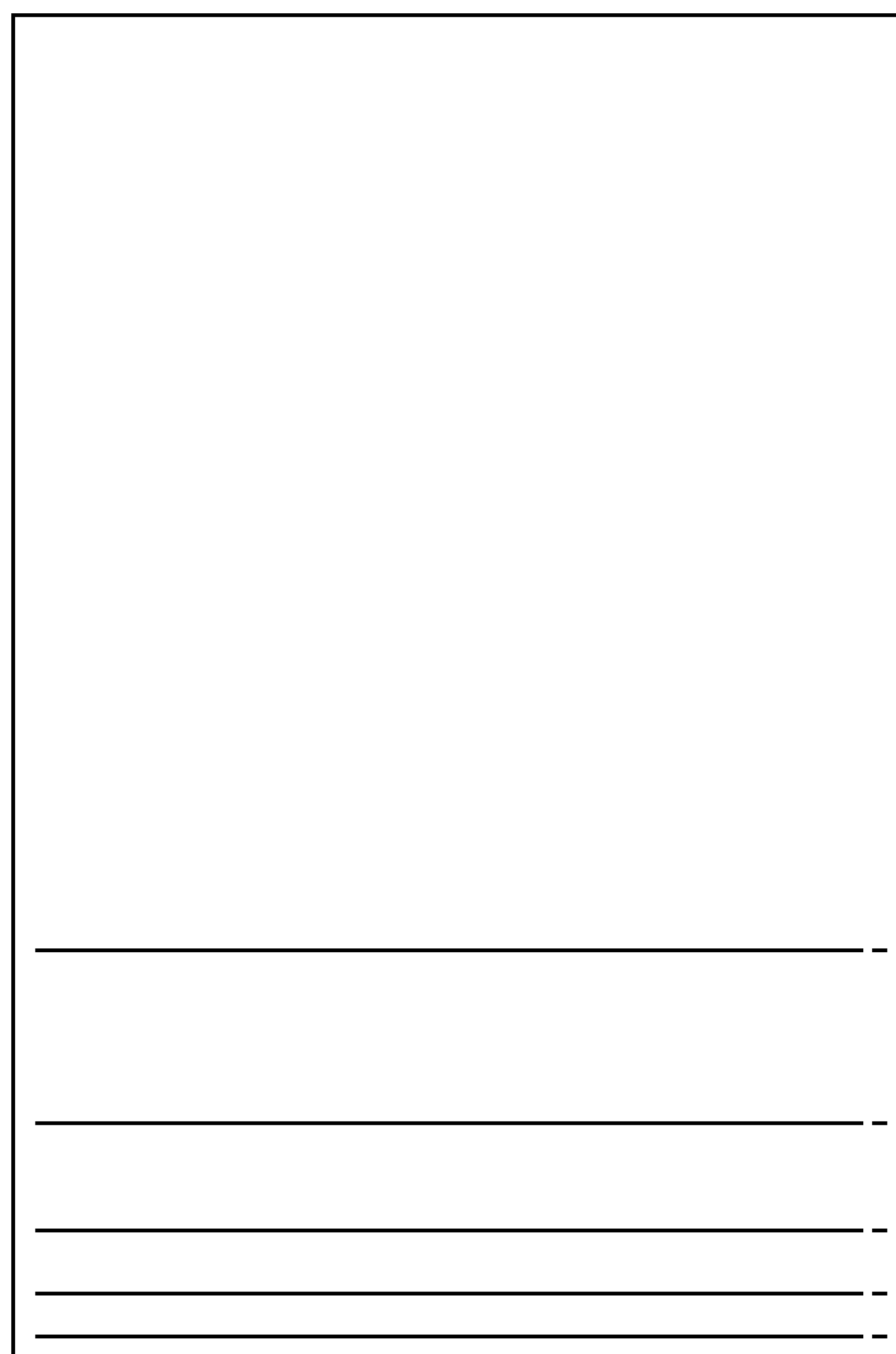


FIG. 6

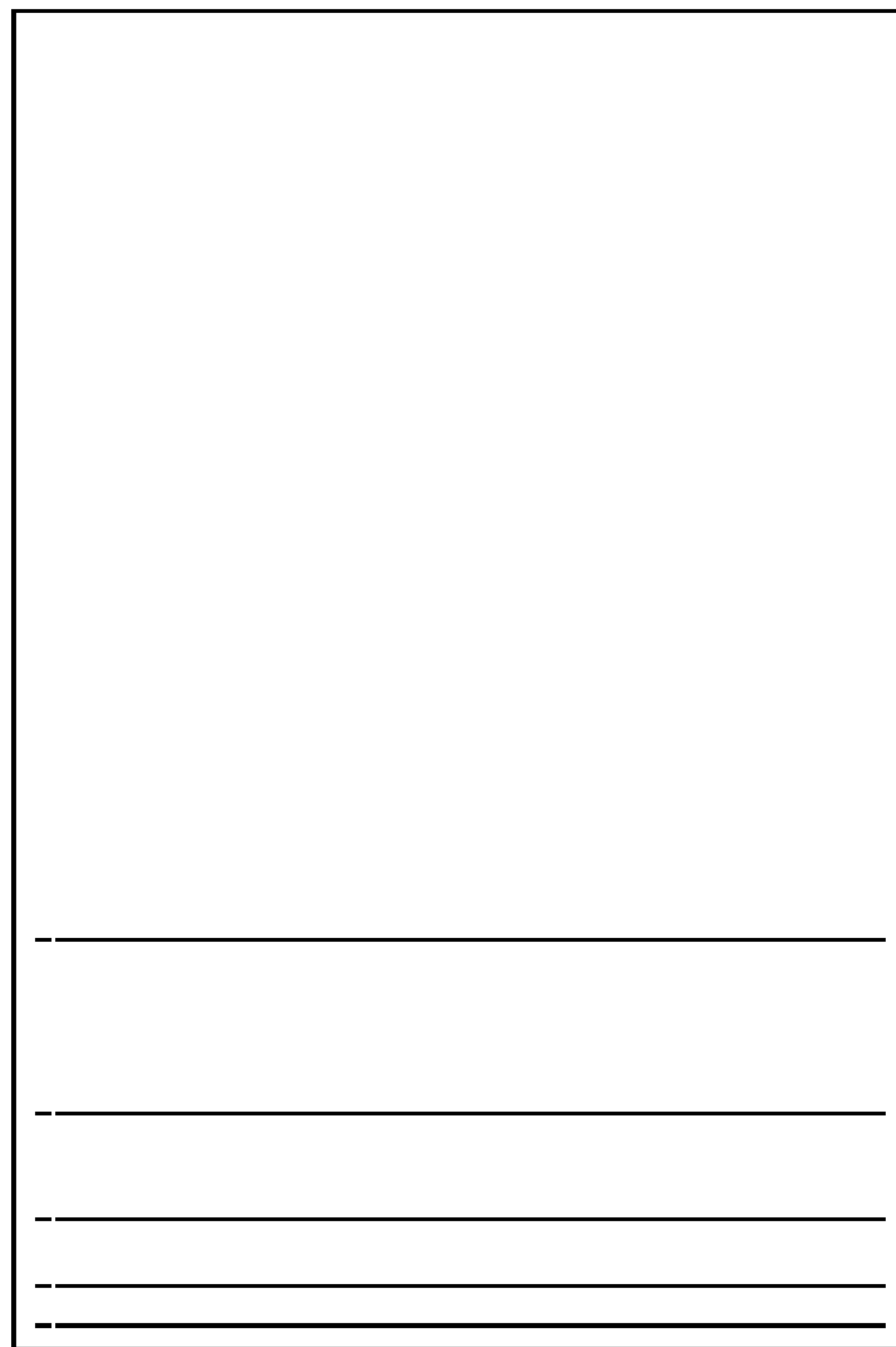


FIG. 7

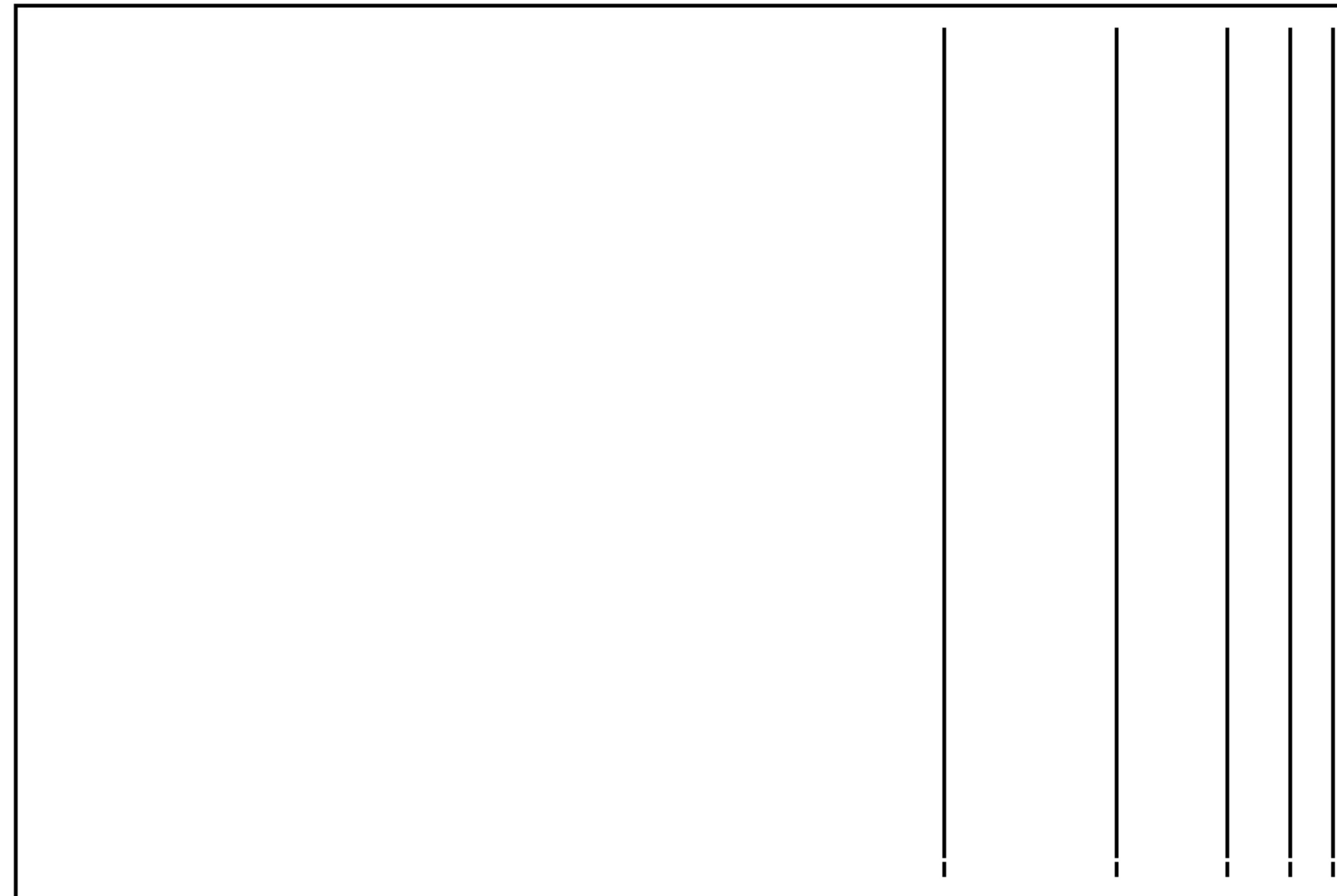


FIG. 8

