



US00D918819S

(12) **United States Design Patent**
Shetty et al.

(10) **Patent No.:** **US D918,819 S**

(45) **Date of Patent:** **** May 11, 2021**

(54) **TANK**

(71) Applicant: **CATERPILLAR INC.**, Deerfield, IL (US)

(72) Inventors: **Ashay Shetty**, Peoria, IL (US); **Ramoji Ravuri**, Dunlap, IL (US)

(73) Assignee: **Caterpillar Inc.**, Peoria, IL (US)

(**) Term: **15 Years**

(21) Appl. No.: **29/700,332**

(22) Filed: **Aug. 1, 2019**

(51) **LOC (13) Cl.** **12-06**

(52) **U.S. Cl.**
USPC **D12/218**

(58) **Field of Classification Search**
USPC D12/110, 197, 218, 223; D9/435-454
CPC B60K 15/03; B60K 15/07; B62J 35/00;
B62K 11/00; B62K 11/04
See application file for complete search history.

(56) **References Cited**

U.S. PATENT DOCUMENTS

D372,454 S *	8/1996	Murray, Sr.	D12/218
D590,325 S *	4/2009	Hall	D12/218
D643,796 S *	8/2011	Heinemann	D12/218
D694,167 S *	11/2013	Forsberg	D12/218
D751,023 S *	3/2016	Hennen	D12/218
D766,810 S *	9/2016	Haun	D12/414.1
D772,773 S *	11/2016	Andersen	D12/218
D785,778 S *	5/2017	Gibb	D23/499
D803,756 S *	11/2017	Andersen	D12/218
D812,542 S *	3/2018	LaPant	D12/218
D825,714 S *	8/2018	Buckelew	D23/202
D837,720 S *	1/2019	Schwalbe	D12/218
D837,835 S *	1/2019	Schwalbe	D15/28
D849,662 S *	5/2019	Rike	D12/223

D857,754 S *	8/2019	Cam	D15/21
D887,946 S *	6/2020	Prater	D12/218
D890,674 S *	7/2020	Tafe	D12/218
D895,689 S *	9/2020	Holst	D15/28
D901,547 S *	11/2020	Gade	D15/28
2004/0080248 A1 *	4/2004	Klusmeier	B60R 9/00 312/348.3
2017/0101003 A1 *	4/2017	Zimmerman	F16F 15/04
2017/0334288 A1 *	11/2017	Rike	B60K 15/03006

* cited by examiner

Primary Examiner — Darlington Ly

(74) *Attorney, Agent, or Firm* — Finnegan, Henderson, Farabow, Garrett & Dunner, LLP

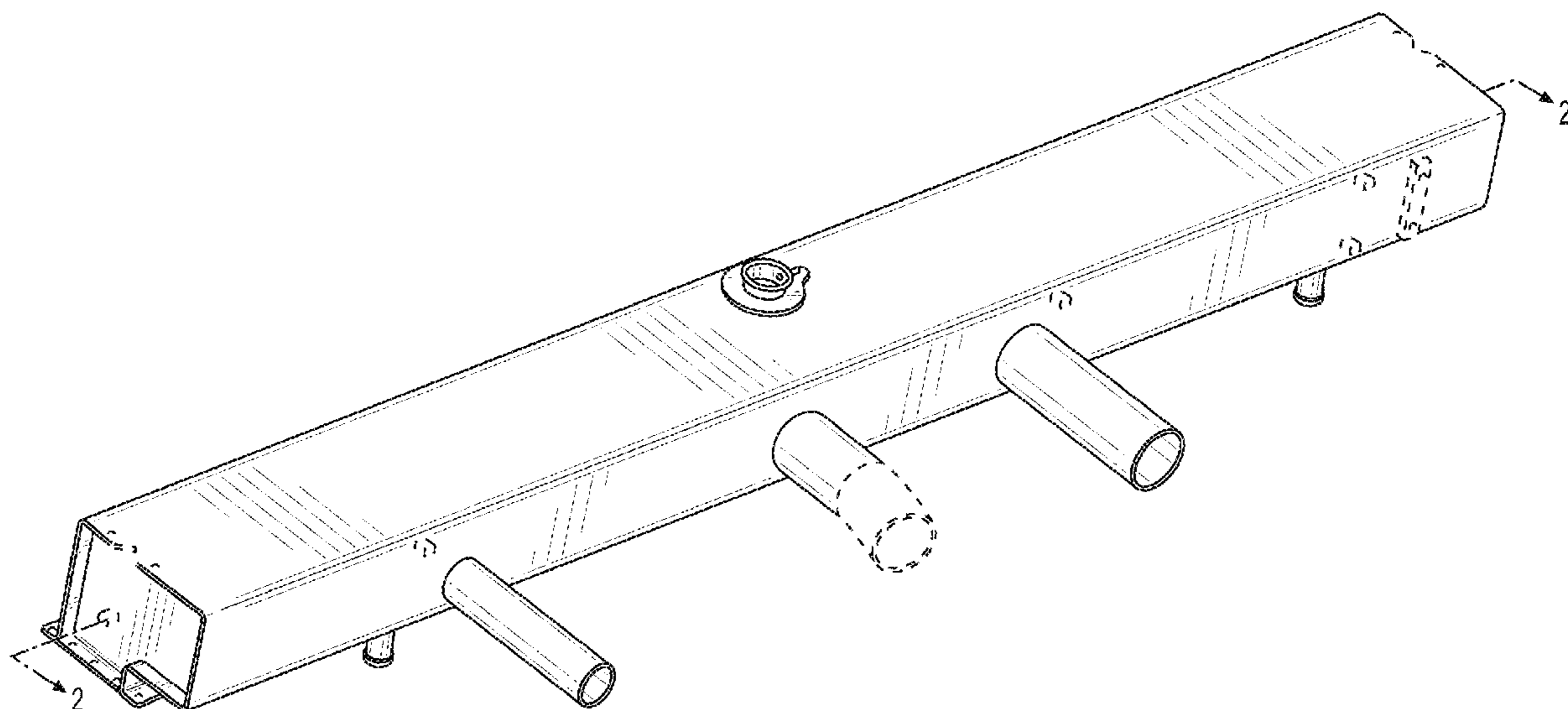
(57) **CLAIM**

The ornamental design for a tank, as shown and described.

DESCRIPTION

FIG. 1 is a front, left, top perspective view of a tank showing our new design;
 FIG. 2 is a cross-sectional view as indicated in FIG. 1;
 FIG. 3 is a rear, right, bottom perspective view thereof;
 FIG. 4 is an enlarged front, right, bottom perspective view thereof;
 FIG. 5 is a front elevation view thereof;
 FIG. 6 is a rear elevation view thereof;
 FIG. 7 is a right side view thereof;
 FIG. 8 is a left side view thereof;
 FIG. 9 is a cross-sectional view as indicated in FIG. 5;
 FIG. 10 is a top plan view thereof;
 FIG. 11 is a bottom plan view thereof;
 FIG. 12 is a cross-sectional view as indicated in FIG. 7; and,
 FIG. 13 is a cross-sectional view as indicated in FIG. 8.
 The broken lines of even length shown in FIGS. 1-13 illustrate portions of the tank that form no part of the claimed design.

1 Claim, 9 Drawing Sheets



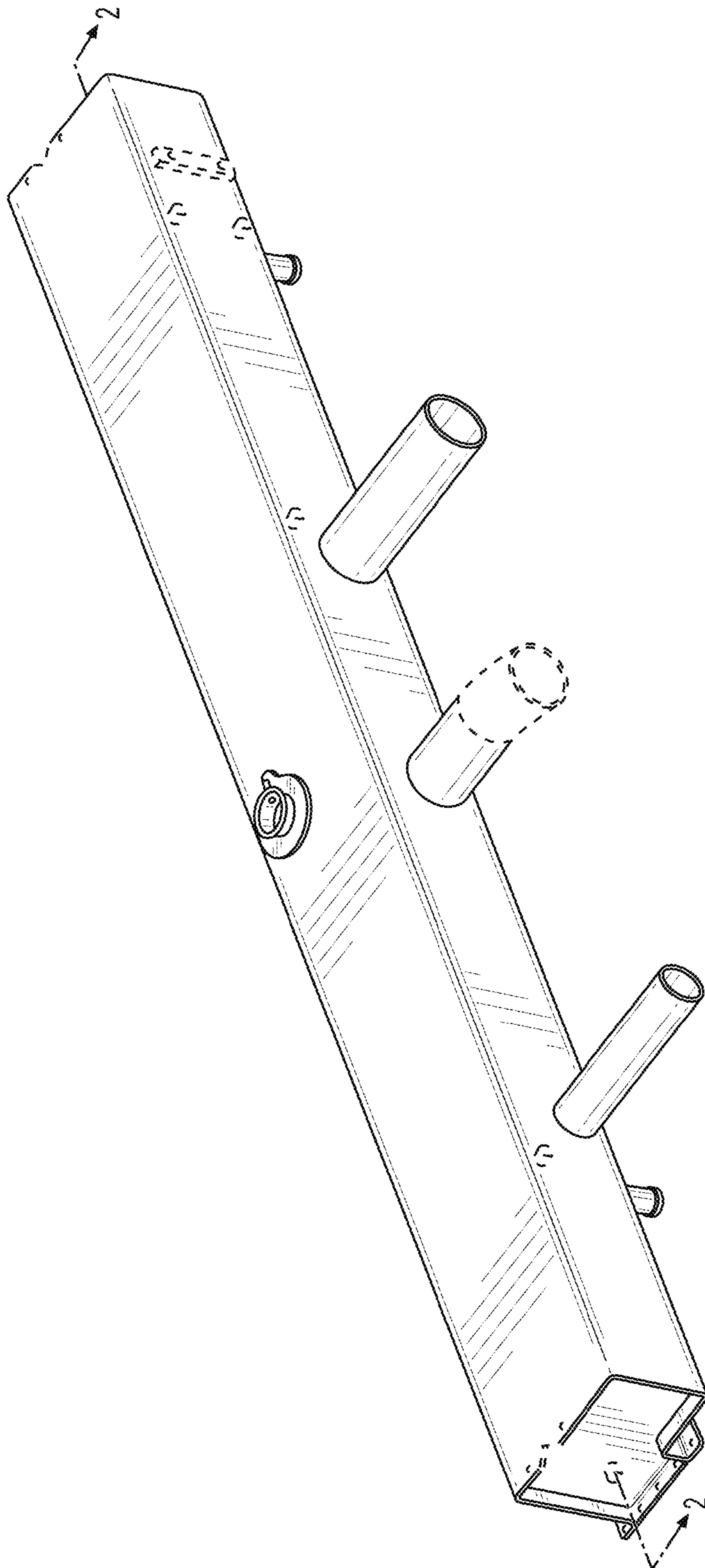


FIG. 1

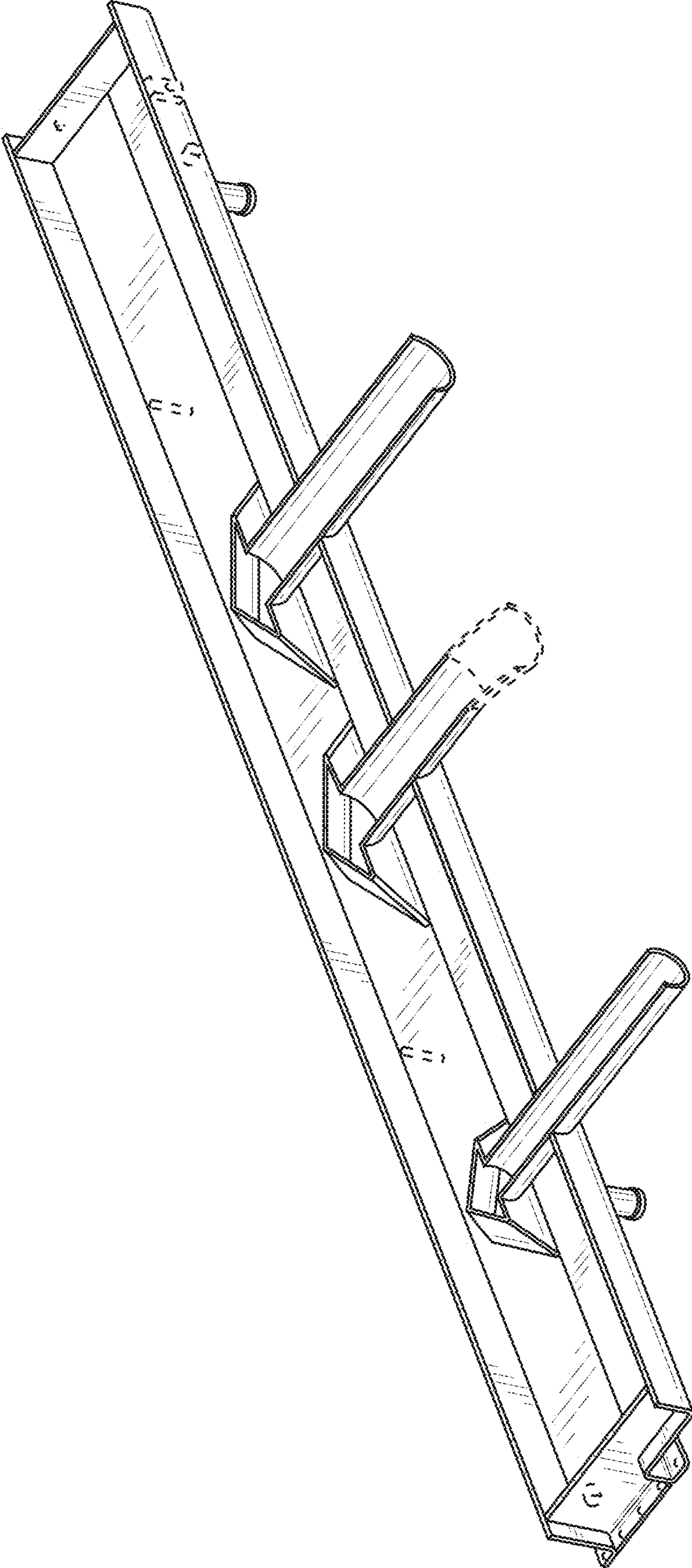


FIG. 2

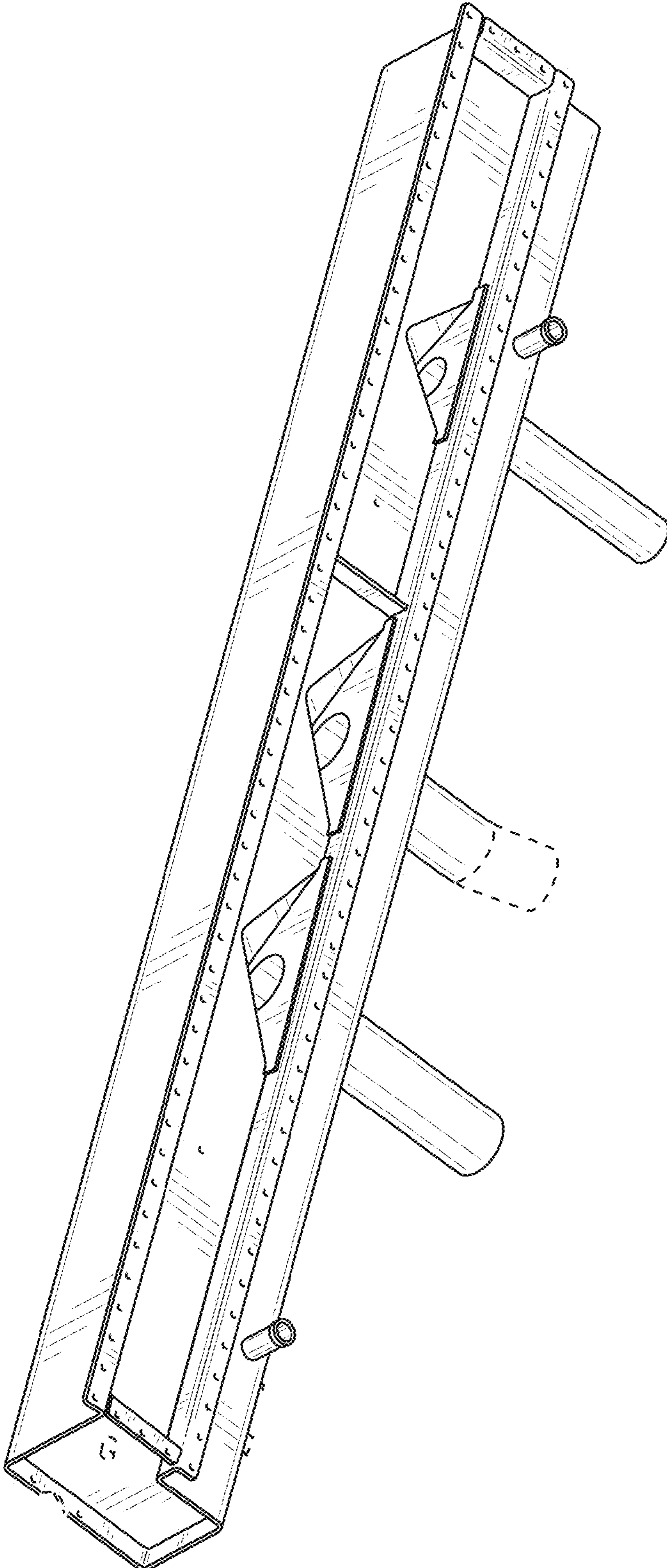


FIG. 3

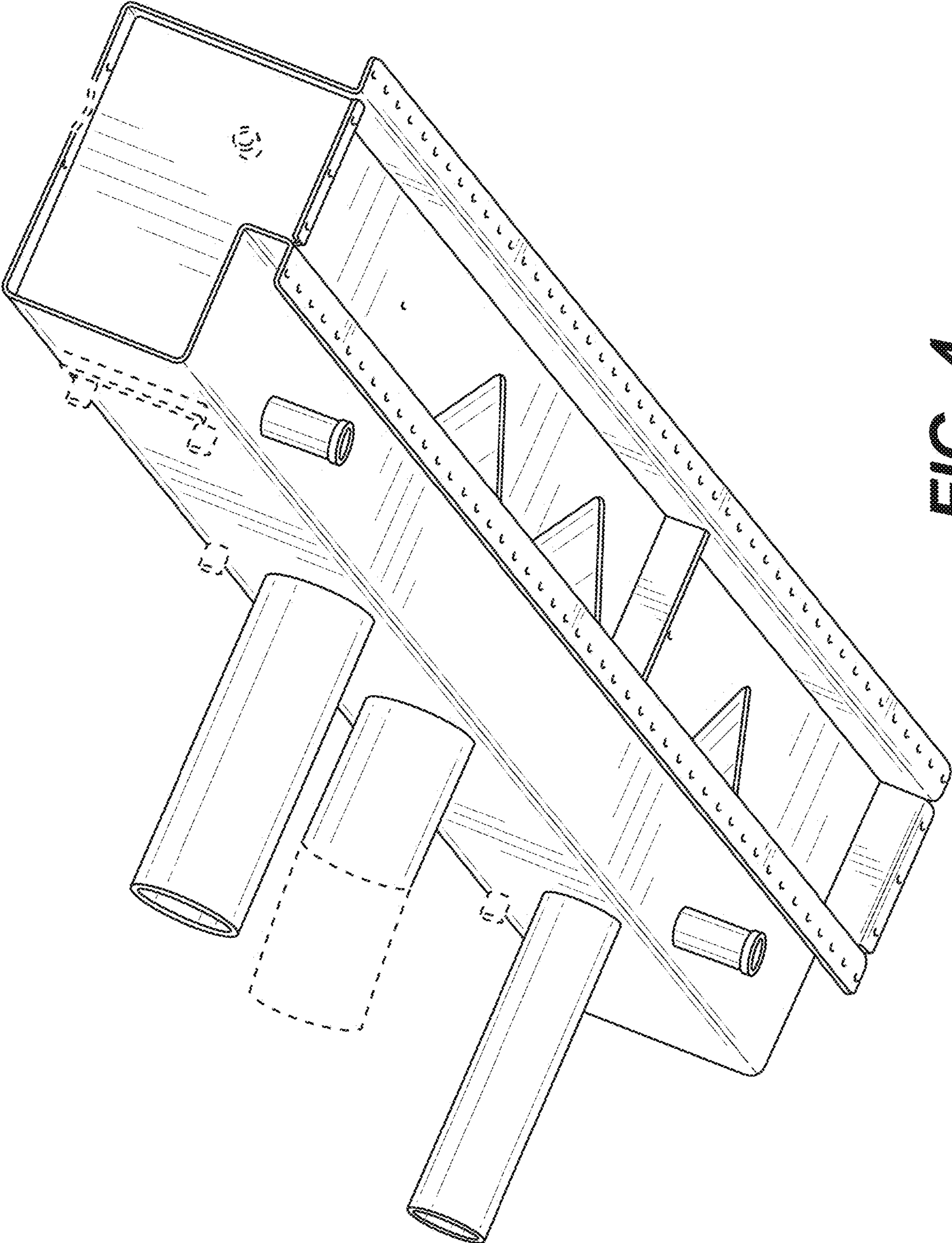


FIG. 4

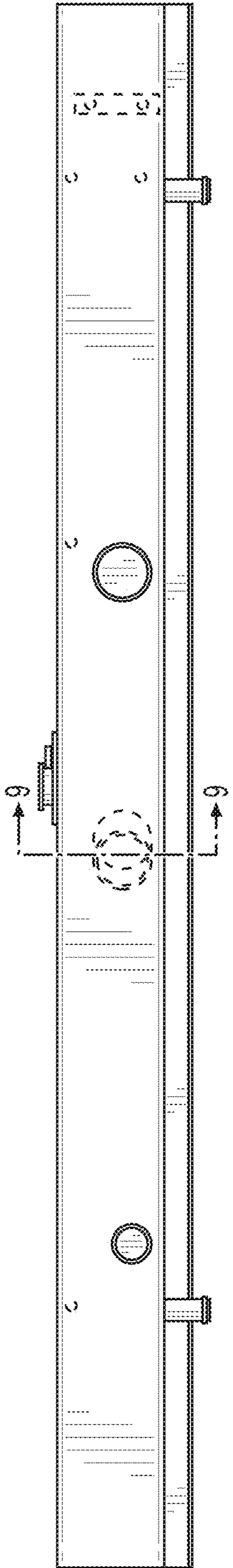


FIG. 5

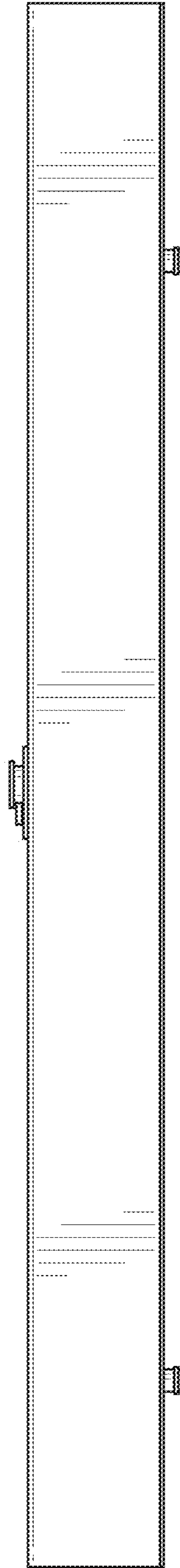


FIG. 6

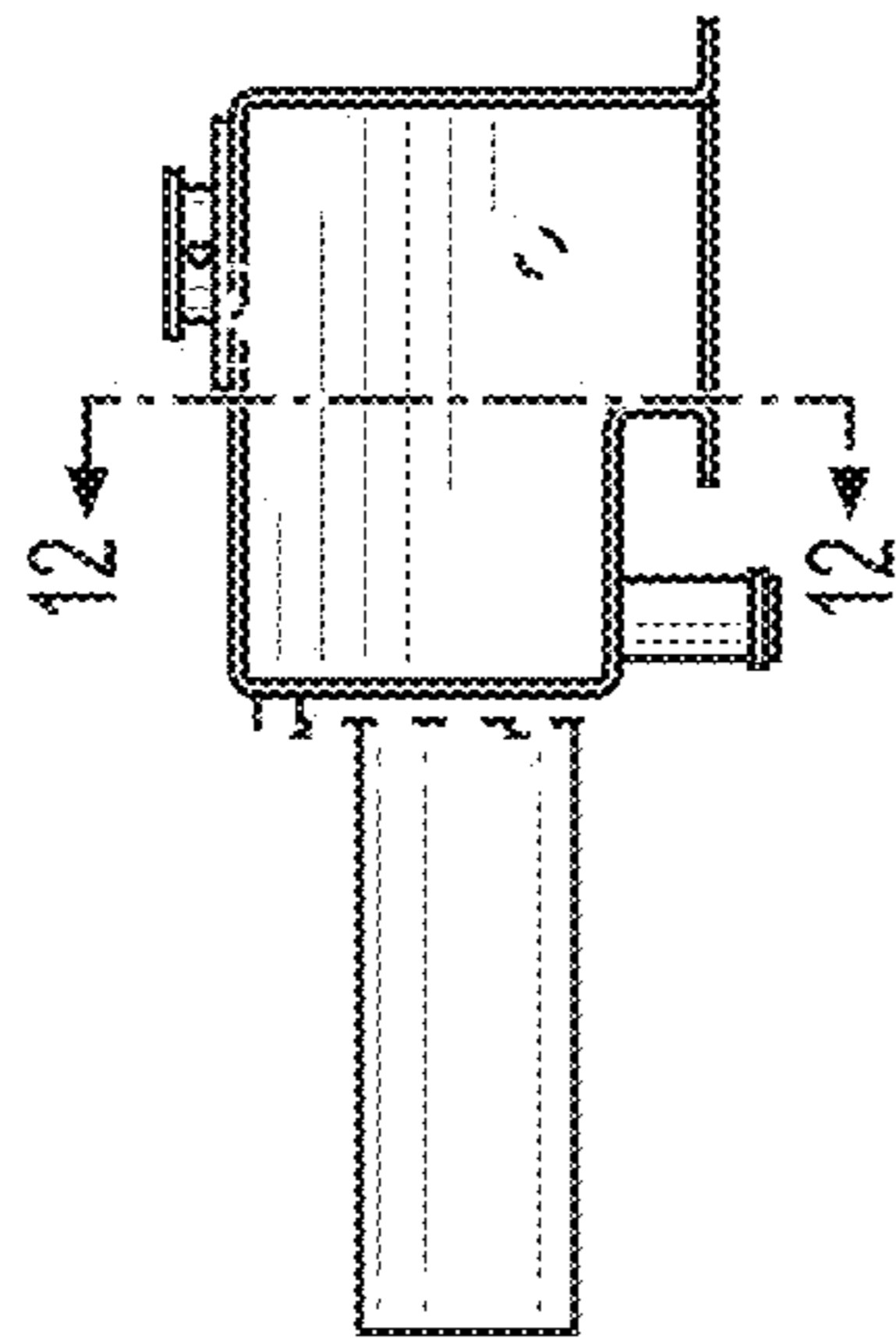


FIG. 7

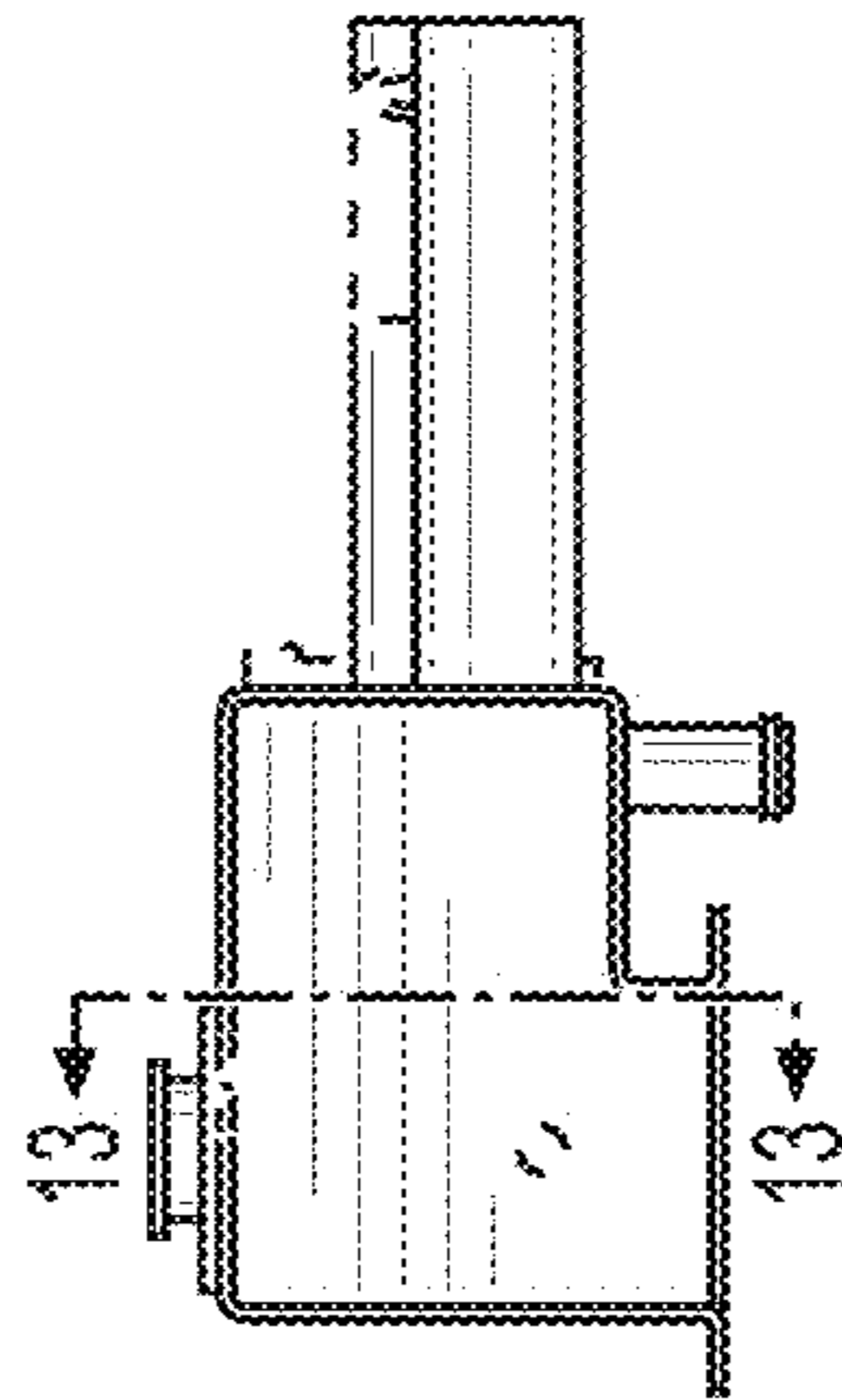


FIG. 8

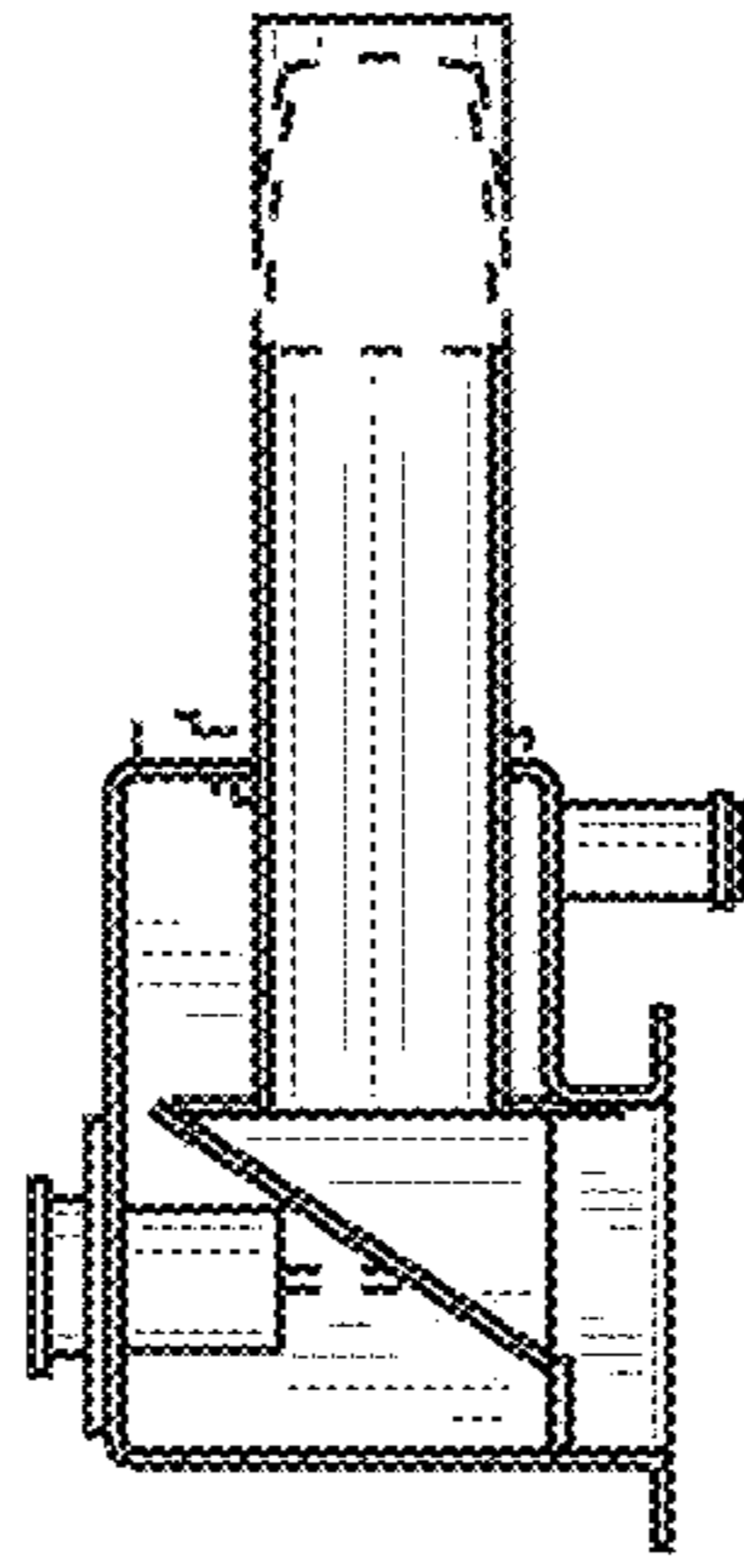


FIG. 9

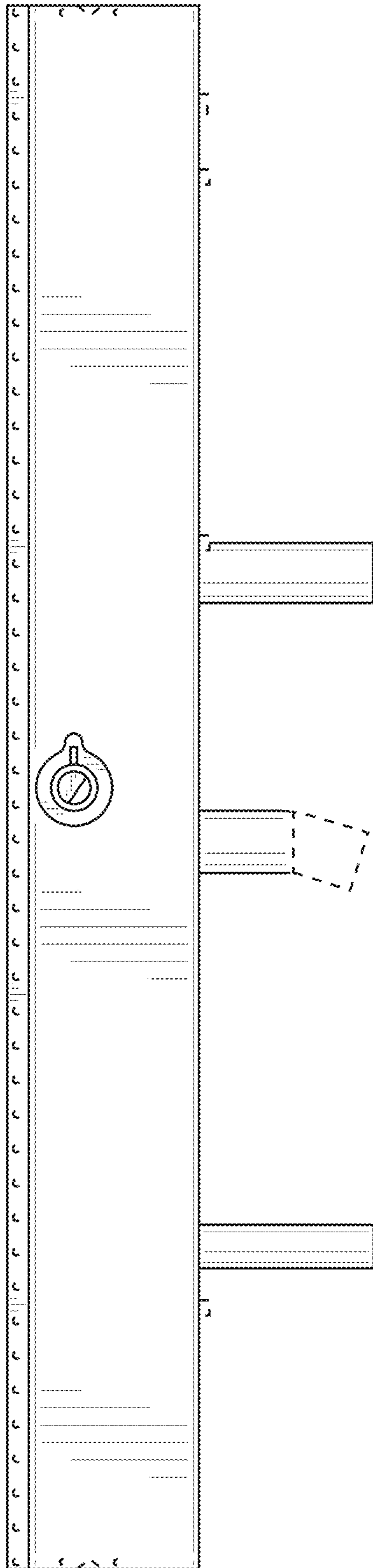


FIG. 10

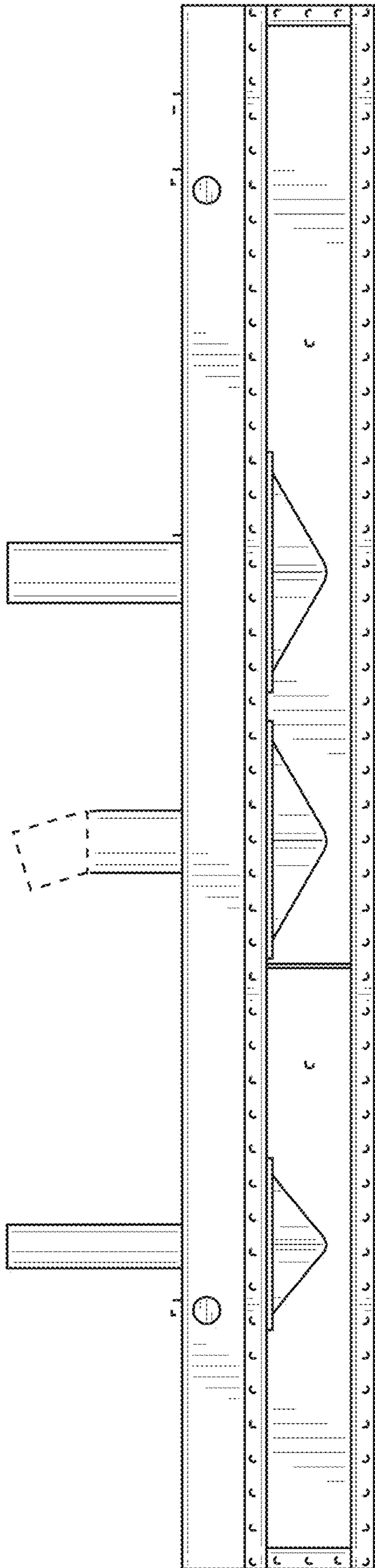


FIG. 11

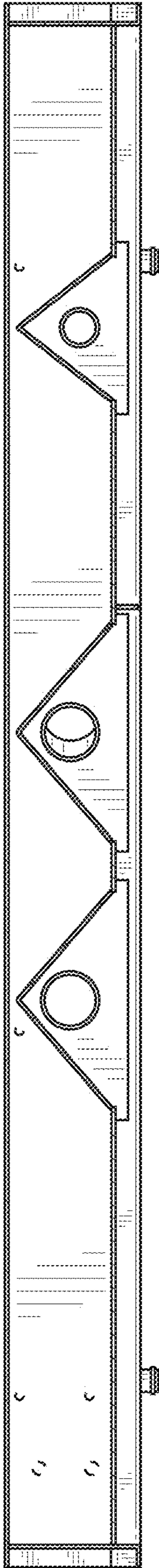


FIG. 12

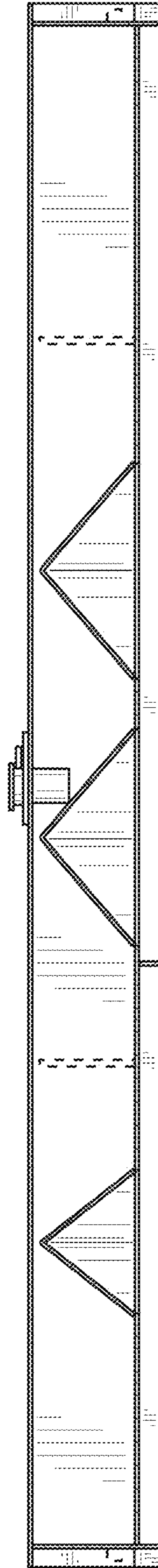


FIG. 13