



US00D918818S

(12) **United States Design Patent**  
**Zhang**

(10) **Patent No.:** **US D918,818 S**

(45) **Date of Patent:** **\*\* May 11, 2021**

(54) **VEHICLE WHEEL**

(71) Applicant: **CITIC Dicastal Co., Ltd.**,  
Qinhuangdao (CN)

(72) Inventor: **Ning Zhang**, Qinhuangdao (CN)

(73) Assignee: **CITIC Dicastal Co., Ltd.**,  
Qinhuangdao (CN)

(\*\*) Term: **15 Years**

(21) Appl. No.: **29/729,628**

(22) Filed: **Mar. 27, 2020**

(30) **Foreign Application Priority Data**

Mar. 16, 2020 (CN) ..... 2020300867588

(51) **LOC (13) Cl.** ..... **12-16**

(52) **U.S. Cl.**  
USPC ..... **D12/209**

(58) **Field of Classification Search**

USPC ..... D12/204-213; D21/563  
CPC .... B60B 7/00; B60B 7/02; B60B 7/04; B60B  
7/01; B60B 7/06; B60B 3/02; B60B 3/04;  
B60B 3/06; B60B 3/10; B60B 1/00;  
B60B 1/08; B60B 1/10; B60B 1/12  
See application file for complete search history.

(56) **References Cited**

**U.S. PATENT DOCUMENTS**

D392,611 S \* 3/1998 Echazabal ..... D12/211  
D466,854 S \* 12/2002 Kern ..... D12/211  
D499,371 S \* 12/2004 Koch ..... D12/211  
D516,001 S \* 2/2006 Tirado ..... D12/209  
D519,436 S \* 4/2006 Chen ..... D12/211

D528,959 S \* 9/2006 Sycha ..... D12/209  
D583,739 S \* 12/2008 Gallert ..... D12/209  
D593,019 S \* 5/2009 Tirado ..... D12/209  
D617,716 S \* 6/2010 Lamm ..... D12/211  
D633,025 S \* 2/2011 Matei ..... D12/209  
D663,249 S \* 7/2012 Zhang ..... D12/211  
D683,294 S \* 5/2013 Pollmann ..... D12/209  
D698,301 S \* 1/2014 Lemke ..... D12/211  
D706,694 S \* 6/2014 Wheel ..... D12/209  
D720,679 S \* 1/2015 Garbas ..... D12/211  
D740,193 S \* 10/2015 Battams ..... D12/209  
D768,048 S \* 10/2016 Johnson ..... D12/211  
D837,123 S \* 1/2019 He ..... D12/209  
D853,307 S \* 7/2019 He ..... D12/211  
D856,895 S \* 8/2019 Rosello Visa ..... D12/209  
D871,301 S \* 12/2019 Meng ..... D12/209  
D877,679 S \* 3/2020 Kawaguchi ..... D12/209  
D878,995 S \* 3/2020 Tian ..... D12/209  
D889,371 S \* 7/2020 Campbell ..... D12/211  
D906,212 S \* 12/2020 Yamashita ..... D12/209

\* cited by examiner

*Primary Examiner* — Stacia A Cadmus

(74) *Attorney, Agent, or Firm* — IPro, PLLC; Qian Gu

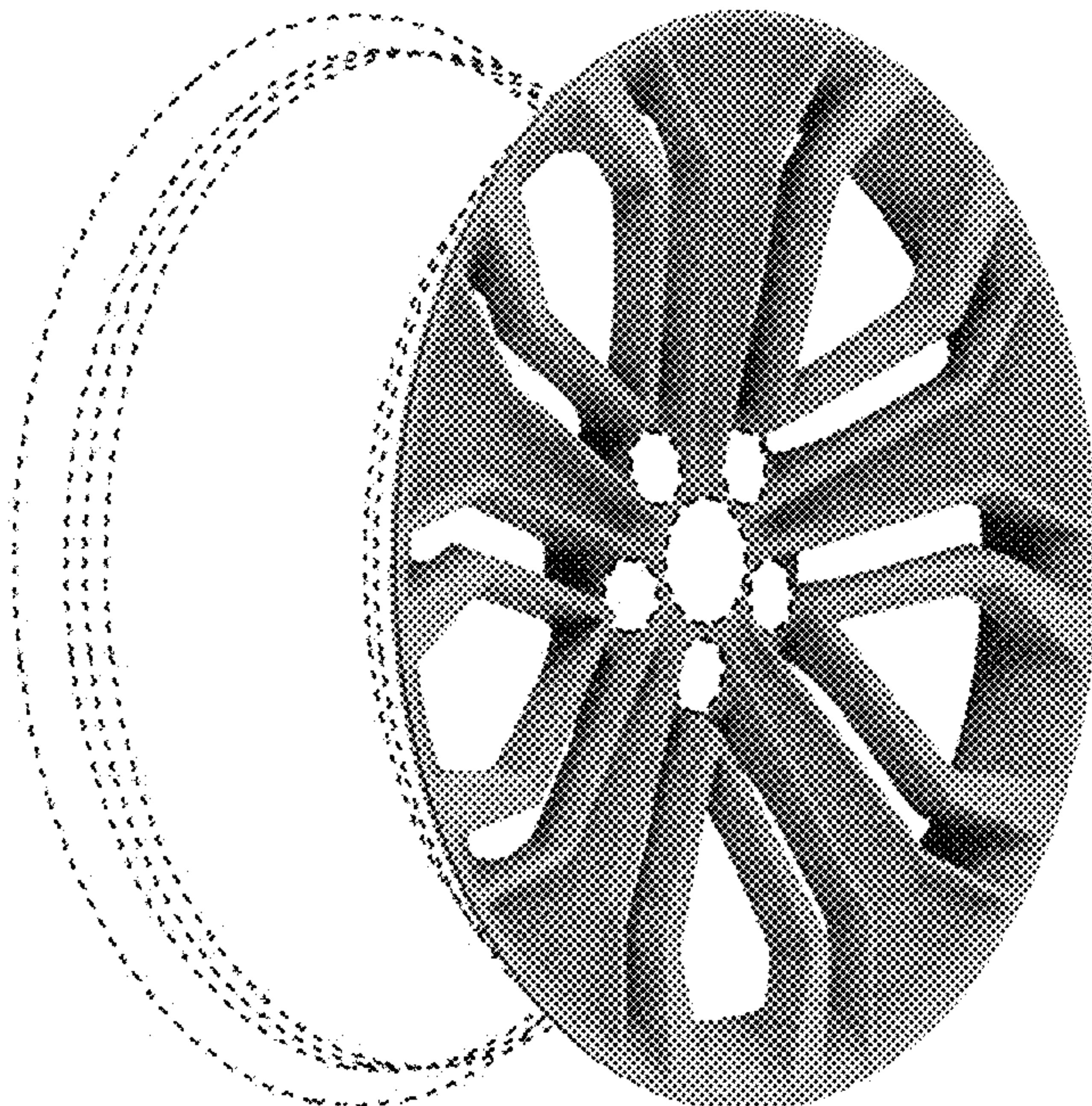
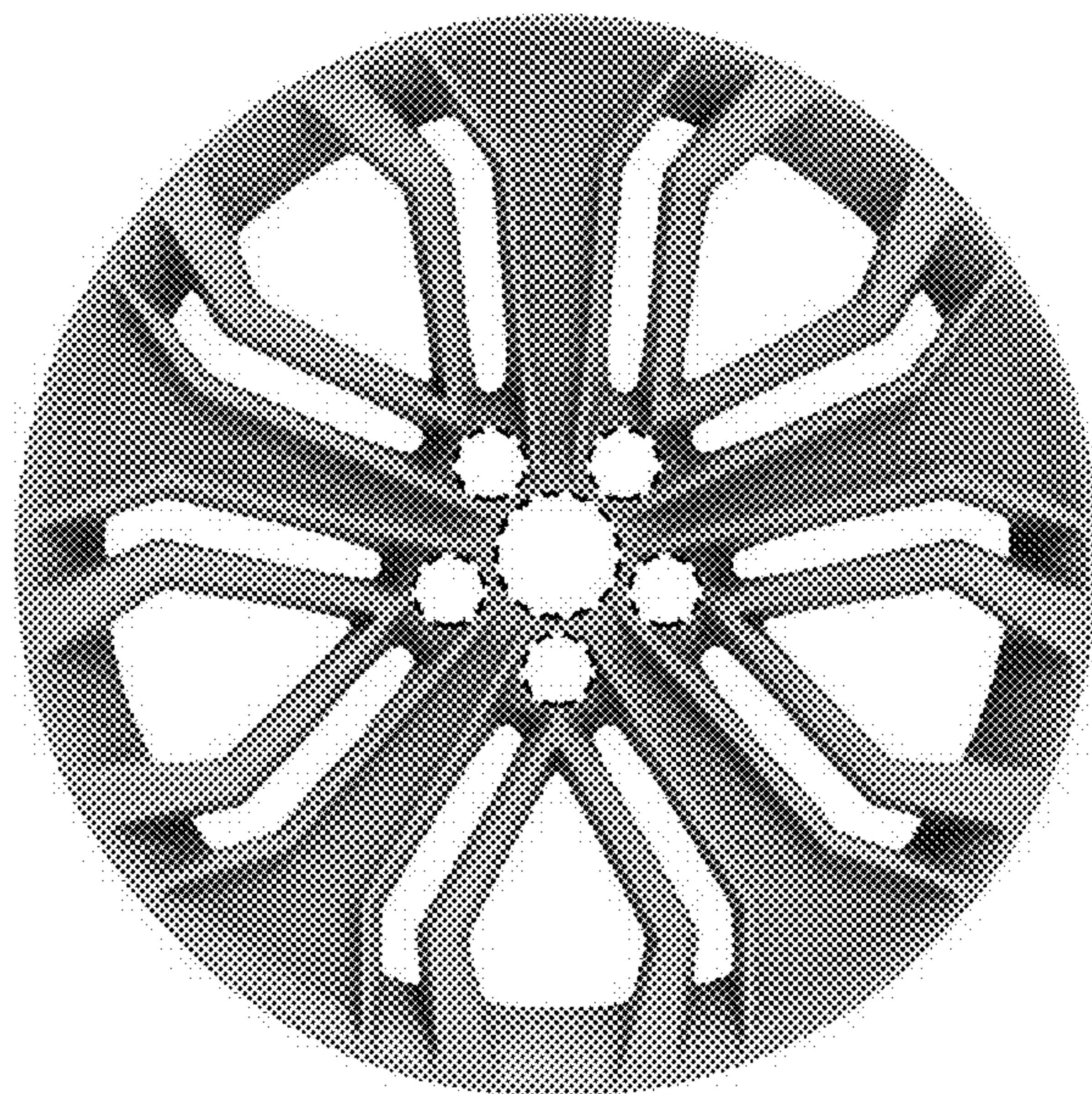
(57) **CLAIM**

The ornamental design for a vehicle wheel, as shown and described.

**DESCRIPTION**

FIG. 1 is a front view of a vehicle wheel.  
FIG. 2 is a perspective view of the vehicle wheel; and,  
FIG. 3 is a left side view of the vehicle wheel.  
The broken line showing of the rear of the rim, the valve stem hole, the bolt holes and the center hole in the central hub area is included for the purpose of illustrating environment and forms no part of the claimed design.

**1 Claim, 3 Drawing Sheets**





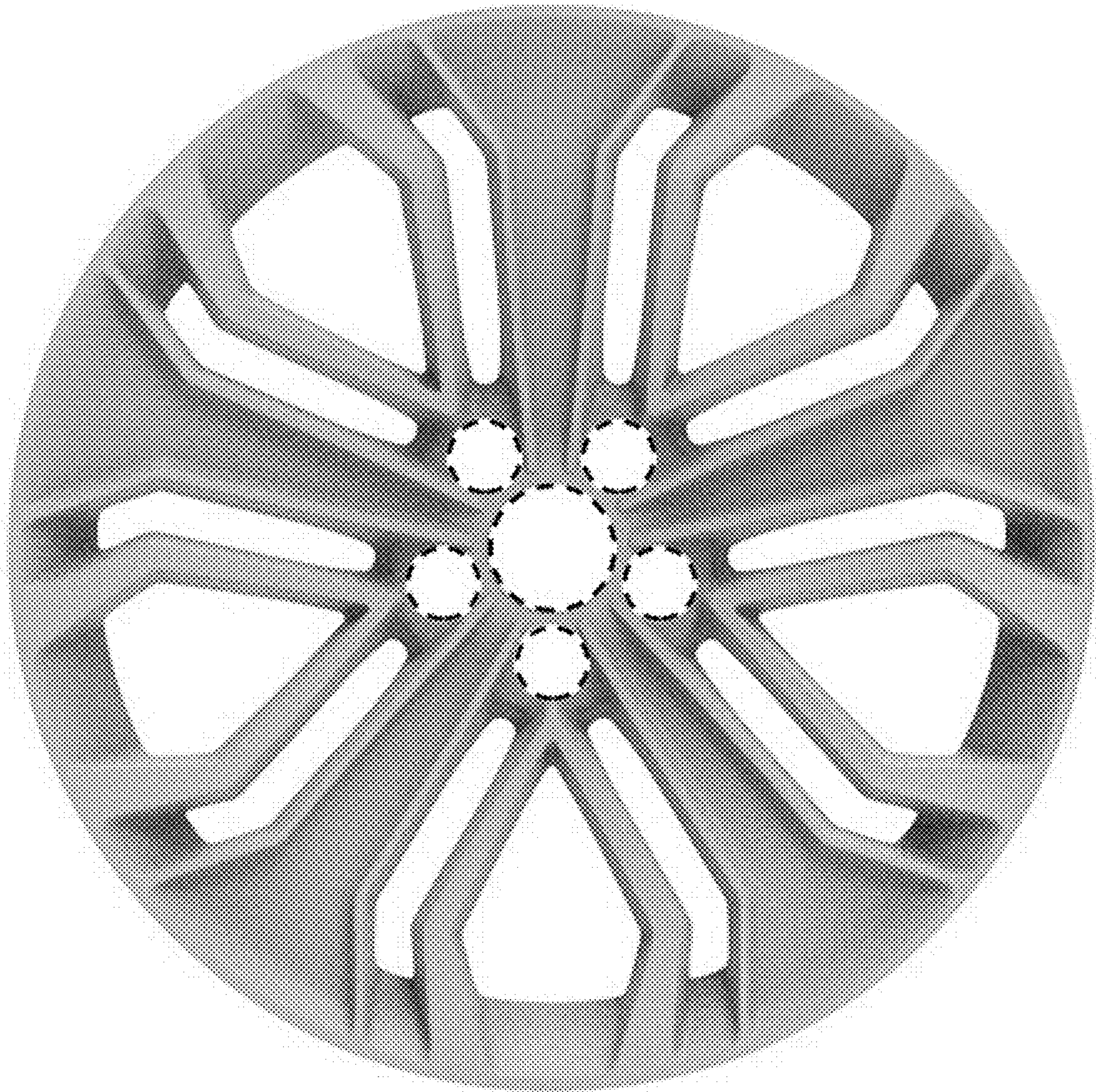


FIG. 1



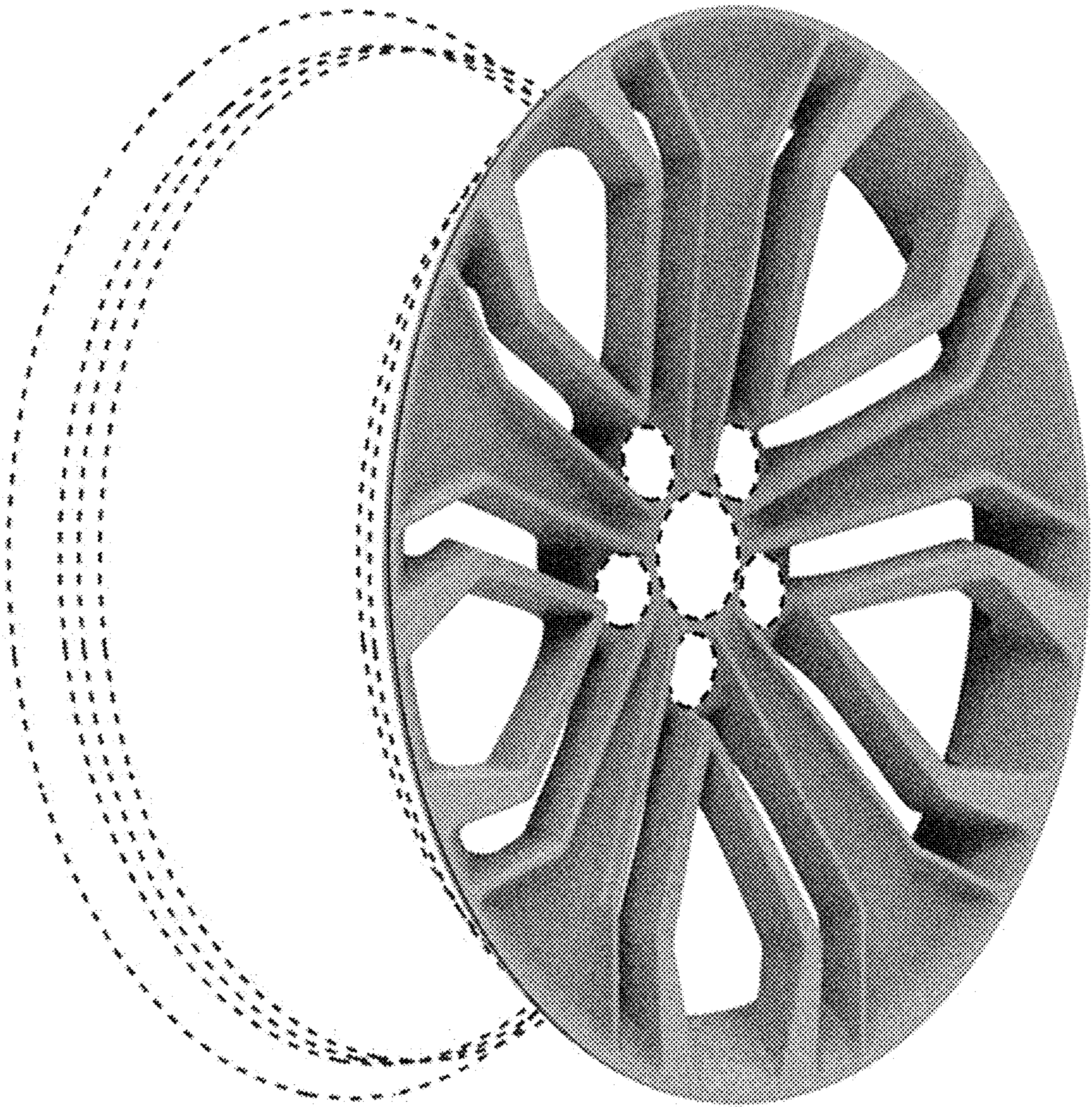


FIG. 2



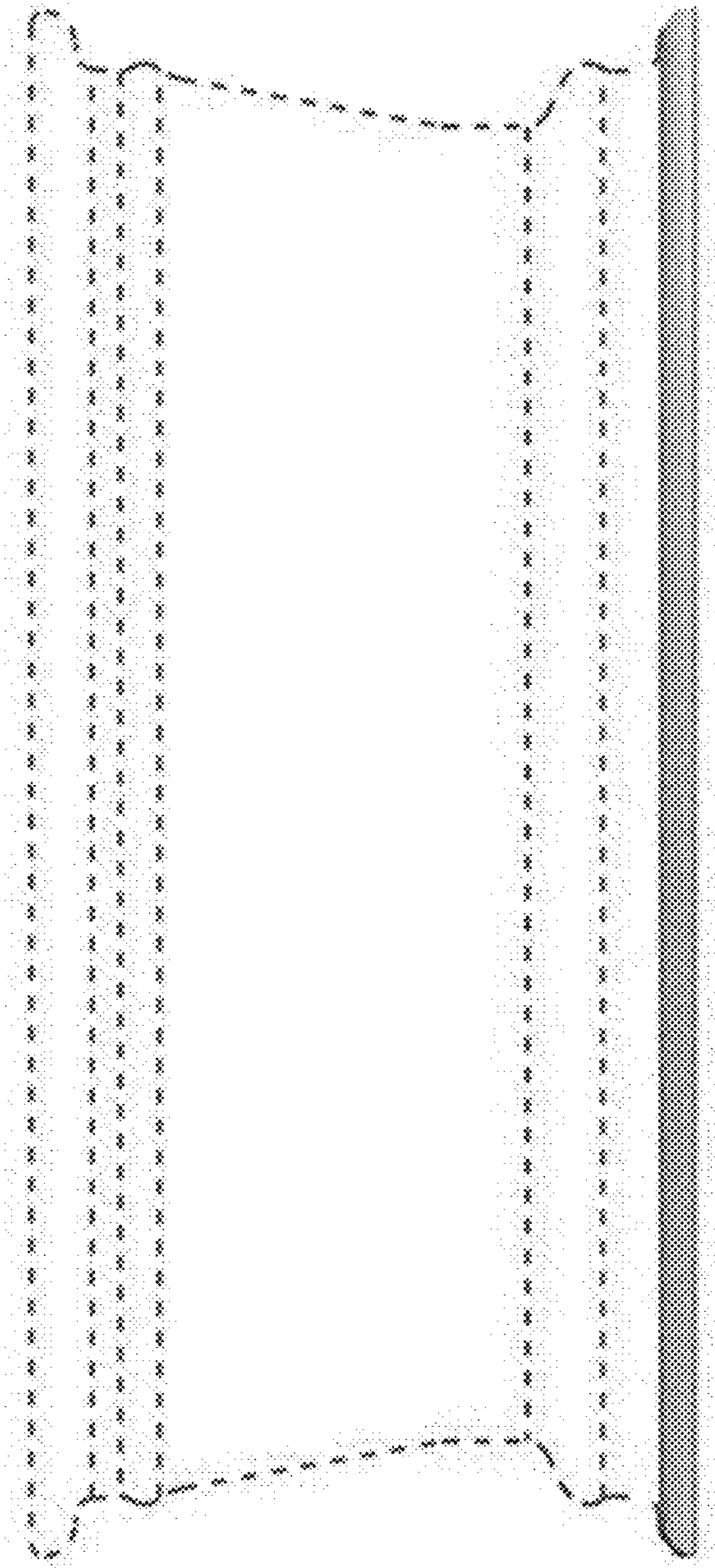


FIG. 3