



US00D918810S

(12) **United States Design Patent**  
**Lickliter**

(10) **Patent No.:** **US D918,810 S**

(45) **Date of Patent:** **\*\* May 11, 2021**

(54) **WHEEL**

(71) Applicant: **Wheel Pros, LLC**, Greenwood Village, CO (US)

(72) Inventor: **Hans Lickliter**, Canyon Country, CA (US)

(\*\*) Term: **15 Years**

(21) Appl. No.: **29/722,962**

(22) Filed: **Feb. 3, 2020**

(51) **LOC (13) Cl.** ..... **12-16**

(52) **U.S. Cl.**  
USPC ..... **D12/209**

(58) **Field of Classification Search**

USPC ..... D12/204-213; D21/563  
CPC .... B60B 7/00; B60B 7/02; B60B 7/04; B60B 7/01; B60B 7/06; B60B 3/02; B60B 3/04; B60B 3/06; B60B 3/10; B60B 1/00; B60B 1/08; B60B 1/10; B60B 1/12

See application file for complete search history.

D504,859 S	5/2005	Sulahian	
D505,374 S	5/2005	Aleman	
D510,307 S	10/2005	Howes	
D523,797 S	6/2006	Gallert	
D524,212 S	7/2006	Phillips	
D524,220 S	7/2006	Scheu	
D526,263 S	* 8/2006	Brown .....	D12/209
D528,495 S	9/2006	Truebsbach	
D529,854 S	* 10/2006	Scheu .....	D12/211
D542,209 S	5/2007	Pfeiffer	
D549,148 S	8/2007	Buschmann	
D552,524 S	* 10/2007	Tirado .....	D12/209
D569,777 S	5/2008	Chung	
D577,650 S	9/2008	Chung	
D579,845 S	11/2008	Chung	
D582,831 S	12/2008	Musser	
D598,357 S	8/2009	Chung	
D617,723 S	6/2010	Zhao	
D623,109 S	9/2010	Markefka	
D623,111 S	* 9/2010	Spoerle .....	D12/211
D623,573 S	* 9/2010	Thurner .....	D12/209
D633,840 S	* 3/2011	Johnson .....	D12/209
D635,903 S	4/2011	Zhang	
D654,007 S	2/2012	Nissl	
D654,420 S	2/2012	Guay	
D660,771 S	5/2012	Mueller-Stolz	
D669,009 S	10/2012	Chung	

(Continued)

(56) **References Cited**

**U.S. PATENT DOCUMENTS**

D291,796 S	9/1987	Reid
D361,975 S	9/1995	Weld
D391,216 S	2/1998	Ballmann
D408,775 S	4/1999	Shikado
D453,492 S	2/2002	Laengerer
D455,698 S	4/2002	Chung
D467,212 S	12/2002	Noriega
D470,094 S	2/2003	van Hooydonk
D480,036 S	9/2003	Laengerer
D482,996 S	12/2003	Sulahian
D492,925 S	7/2004	Fitzgerald
D496,317 S	9/2004	Kataoka
D499,684 S	12/2004	Cheng
D502,438 S	3/2005	Weld

*Primary Examiner* — Stacia A Cadmus

(74) *Attorney, Agent, or Firm* — Eric Hanscom

(57) **CLAIM**

The ornamental design for a wheel, as shown and described.

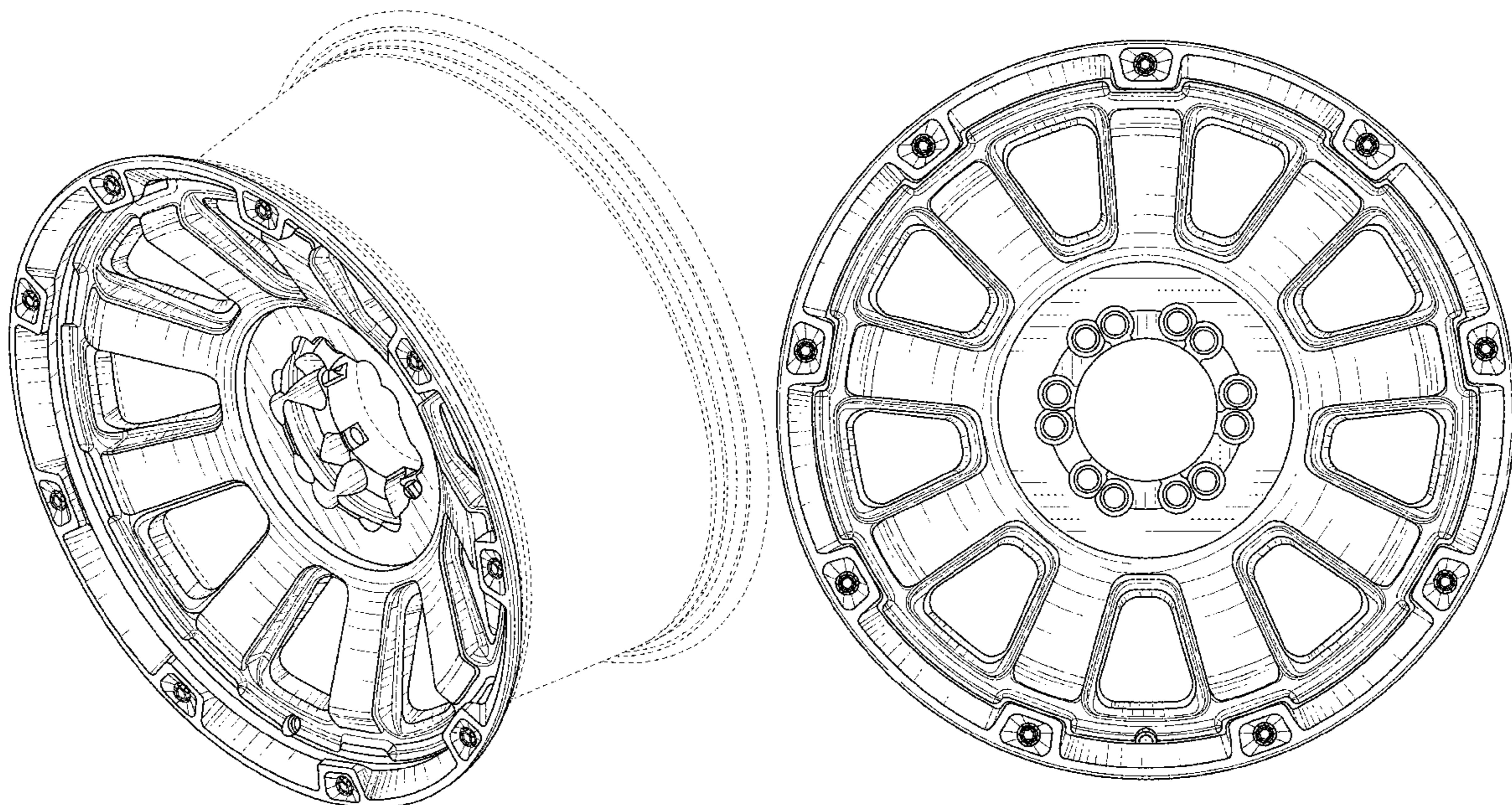
**DESCRIPTION**

FIG. 1 is a perspective view of a wheel showing my new design; and,

FIG. 2 is a front view thereof.

In the drawings the broken lines depict portions of the wheel that form no part of the claimed design.

**1 Claim, 2 Drawing Sheets**



(56)

**References Cited**

U.S. PATENT DOCUMENTS

D686,961 S	7/2013	Chung	
D695,193 S	12/2013	Kong	
D698,300 S	1/2014	Chung	
D702,172 S	4/2014	Chung	
D704,117 S	5/2014	Chung	
D704,617 S	5/2014	Chung	
D706,197 S	6/2014	Chung	
D707,167 S	6/2014	Chung	
D709,020 S	7/2014	Chung	
D713,316 S	9/2014	Song	
D714,207 S	9/2014	Kim	
D717,709 S	11/2014	Valencia Pollex	
D719,893 S	12/2014	Kim	
D731,946 S	6/2015	Chung	
D742,293 S	11/2015	Chung	
D745,842 S *	12/2015	Wheel .....	D12/209
D753,046 S	4/2016	Liffick	
D756,882 S	5/2016	Tirado	
D766,805 S	9/2016	Chung	
D768,554 S *	10/2016	Rueckheim .....	D12/211
D769,785 S	10/2016	Wells	
D698,298 S	1/2017	Cortes	
D780,655 S	3/2017	Trim	
D797,636 S *	9/2017	Chung .....	D12/211
D823,776 S *	7/2018	Glover .....	D12/211
D859,273 S *	9/2019	Anton .....	D12/211
D890,068 S *	7/2020	Junghans .....	D12/209
D901,358 S *	11/2020	Liu .....	D12/209
D901,359 S *	11/2020	Liu .....	D12/209
D901,361 S *	11/2020	Liu .....	D12/211

\* cited by examiner

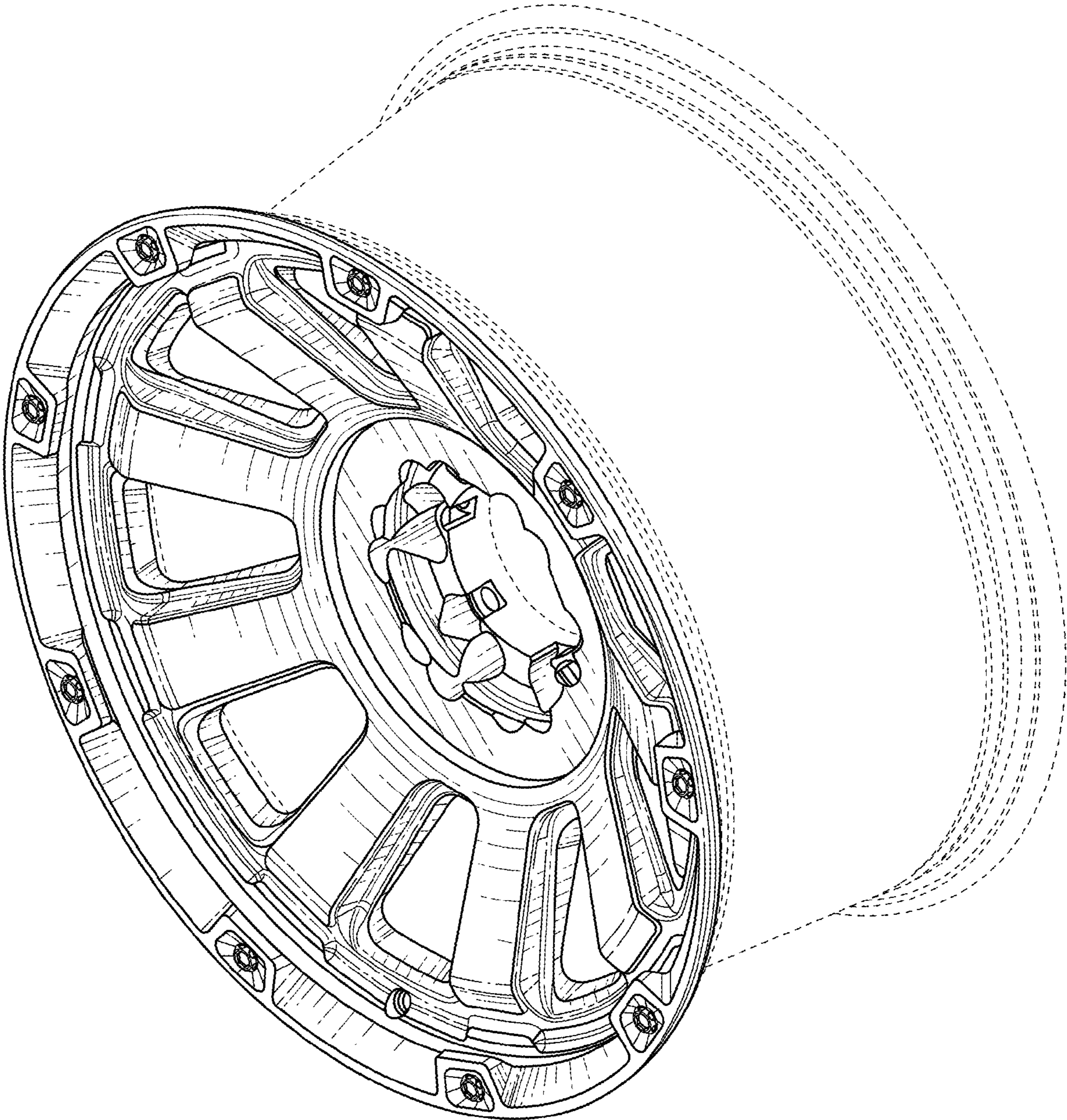


FIG. 1

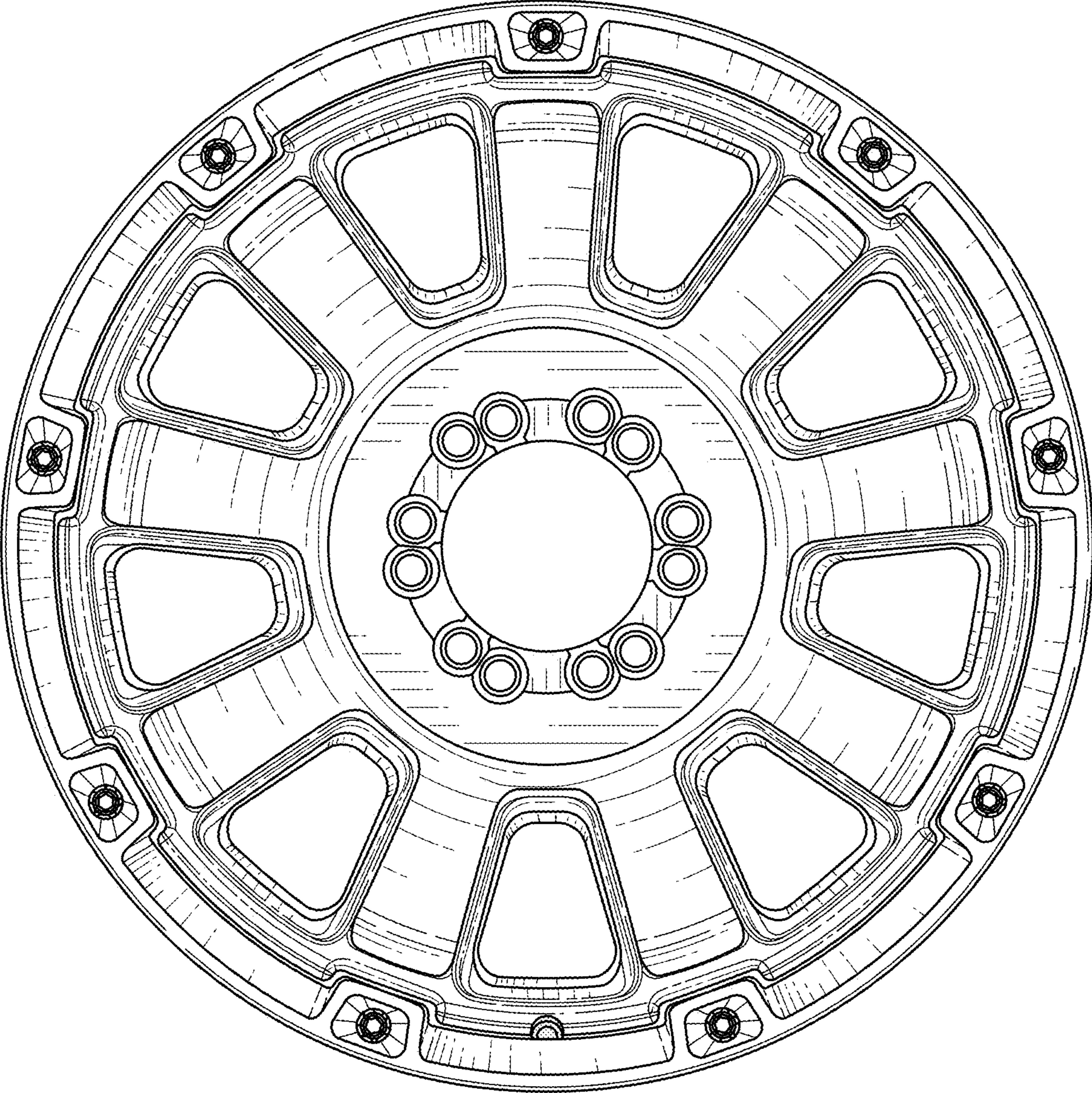


FIG. 2