



US00D918807S

(12) **United States Design Patent** (10) **Patent No.:** **US D918,807 S**
Rose (45) **Date of Patent:** **** May 11, 2021**

(54) **VISOR MOUNTABLE DISPLAY**
(71) Applicant: **RIDESHARE DISPLAYS, INC.**,
Fairfield, NJ (US)
(72) Inventor: **Steve Rose**, Roseland, NJ (US)
(73) Assignee: **RIDESHARE DISPLAYS, INC.**,
Fairfield, NJ (US)
(**) Term: **15 Years**
(21) Appl. No.: **29/706,886**
(22) Filed: **Sep. 24, 2019**
(51) **LOC (13) Cl.** **12-16**
(52) **U.S. Cl.**
USPC **D12/191**
(58) **Field of Classification Search**
USPC D12/191–193, 195, 415, 420, 187, 114,
D12/345; D14/496, 498–506, 154, 157,
D14/168–171, 188–198, 257–258;
248/27.1, 27.3, 558; D23/324; D10/46,
D10/98, 102–103, 122–127
CPC B60R 11/02; B60K 37/04; B60K 37/06;
B60K 35/00; B60H 1/34; B60H 1/3407;
B60H 1/3414; B60H 1/3421; B60H
1/3428; B60H 1/3435; B60H 1/3442;
B60H 1/345; B60H 1/3457; B60H
2001/3464; B60H 2001/3471; B60H
2001/3478; B60H 2001/3485
See application file for complete search history.

(56) **References Cited**
U.S. PATENT DOCUMENTS
D168,707 S * 1/1953 Pavenick D12/191
D228,202 S * 8/1973 Quenot D10/62
D286,036 S * 10/1986 Langensiepen D12/187
(Continued)

OTHER PUBLICATIONS
PYLE PLVSR10BK 10.2" TFT/LCD Left & Right Sun Visor
Monitors, Black (Pair), Amazon.com, Date First Available: Dec. 19,

2005, [online], [site visited Oct. 13, 2020]. <URL: <https://www.amazon.com/gp/product/B0029VESMY?tag=zeroblackfriday-20>>
(Year: 2005).*
(Continued)

Primary Examiner — T Chase Nelson
Assistant Examiner — Jonathan J. Han
(74) *Attorney, Agent, or Firm* — Welsh Flaxman & Gitler
LLC

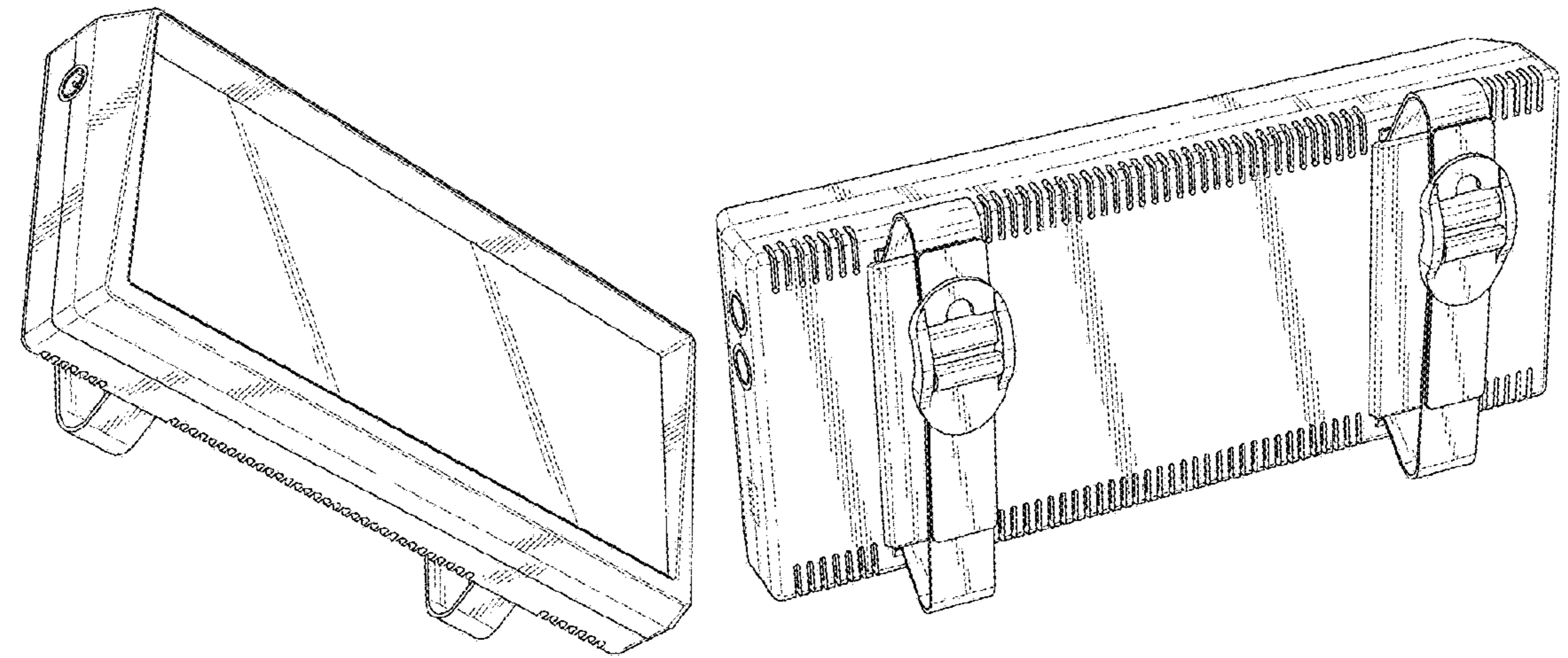
(57) **CLAIM**

The ornamental design for a visor mountable display, as shown and described.

DESCRIPTION

FIG. 1 is a front perspective view, viewed from the right side and top, showing the new design of the visor mountable display employing adjustable straps for mounting.
FIG. 2 is a front perspective view, viewed from the left side and bottom, of the visor mountable display of FIG. 1.
FIG. 3 is a rear perspective view of the visor mountable display of FIG. 1.
FIG. 4 is a front view of the visor mountable display of FIG. 1.
FIG. 5 is a rear view of the visor mountable display of FIG. 1.
FIG. 6 is a top view of the visor mountable display of FIG. 1.
FIG. 7 is a bottom view of the visor mountable display of FIG. 1.
FIG. 8 is a left side view of the visor mountable display of FIG. 1; and,
FIG. 9 is a right side view of the visor mountable display of FIG. 1.
The broken line showing of a USB port is for the purpose of illustrating portions of the visor mountable display that forms no part of the claimed design.

1 Claim, 5 Drawing Sheets



(56)

References Cited

U.S. PATENT DOCUMENTS

D320,778 S * 10/1991 Palett D12/191
 D343,865 S * 2/1994 Pohl D12/191
 D353,568 S * 12/1994 Tong D12/191
 D354,472 S * 1/1995 Tong D12/191
 D366,440 S * 1/1996 Tong D12/191
 D413,293 S * 8/1999 Haas D12/191
 D414,772 S * 10/1999 Adelaar D14/217
 D456,789 S * 5/2002 Snyker D14/132
 D467,234 S * 12/2002 Scribner D14/132
 D473,172 S * 4/2003 Wang D12/187
 D501,166 S * 1/2005 Tuccinardi D12/191
 D534,214 S * 12/2006 Marcy D19/113
 D659,617 S * 5/2012 Brockington D12/187
 D743,927 S * 11/2015 Endo D14/157
 D744,395 S * 12/2015 Hamlin D12/187
 D813,863 S * 3/2018 Barea D14/341
 D817,240 S * 5/2018 Cucho D12/191
 D817,951 S * 5/2018 Chang D14/341
 D818,466 S * 5/2018 Chang D14/341
 D842,857 S * 3/2019 Kimura D14/371

D848,508 S * 5/2019 Hsu D16/218
 D864,198 S * 10/2019 Bidwell D14/341
 D881,771 S * 4/2020 Xiong D12/192
 D885,279 S * 5/2020 Lucas D12/192
 D891,122 S * 7/2020 Yang D6/308
 D894,805 S * 9/2020 Reeves D12/187
 D898,019 S * 10/2020 Fiore, IV D14/258

OTHER PUBLICATIONS

12.2" Car Sun Visor High Definition LCD Monitor Screens for DVD, CustomAutoImages.com, [online], [site visited Oct. 13, 2020]. <URL: <http://www.customautoimages.com/12-2-car-sun-visor-high-definition-lcd-monitor-screens-for-dvd/>> (Year: 2020).*

Visor Mount 17.3" Display, Reddit.com, 2019, [online], [site visited Oct. 13, 2020]. <URL: https://www.reddit.com/r/CrownVictoria/comments/d8de9l/visor_mount_173_display/> (Year: 2019).*

Nintendo Switch Car Sun Visor Mount, Thingiverse.com, by Carvaperc, Jul. 10, 2017, [online], [site visited Oct. 13, 2020]. <URL: <https://www.thingiverse.com/thing:2427706/comments>> (Year: 2017).*

* cited by examiner

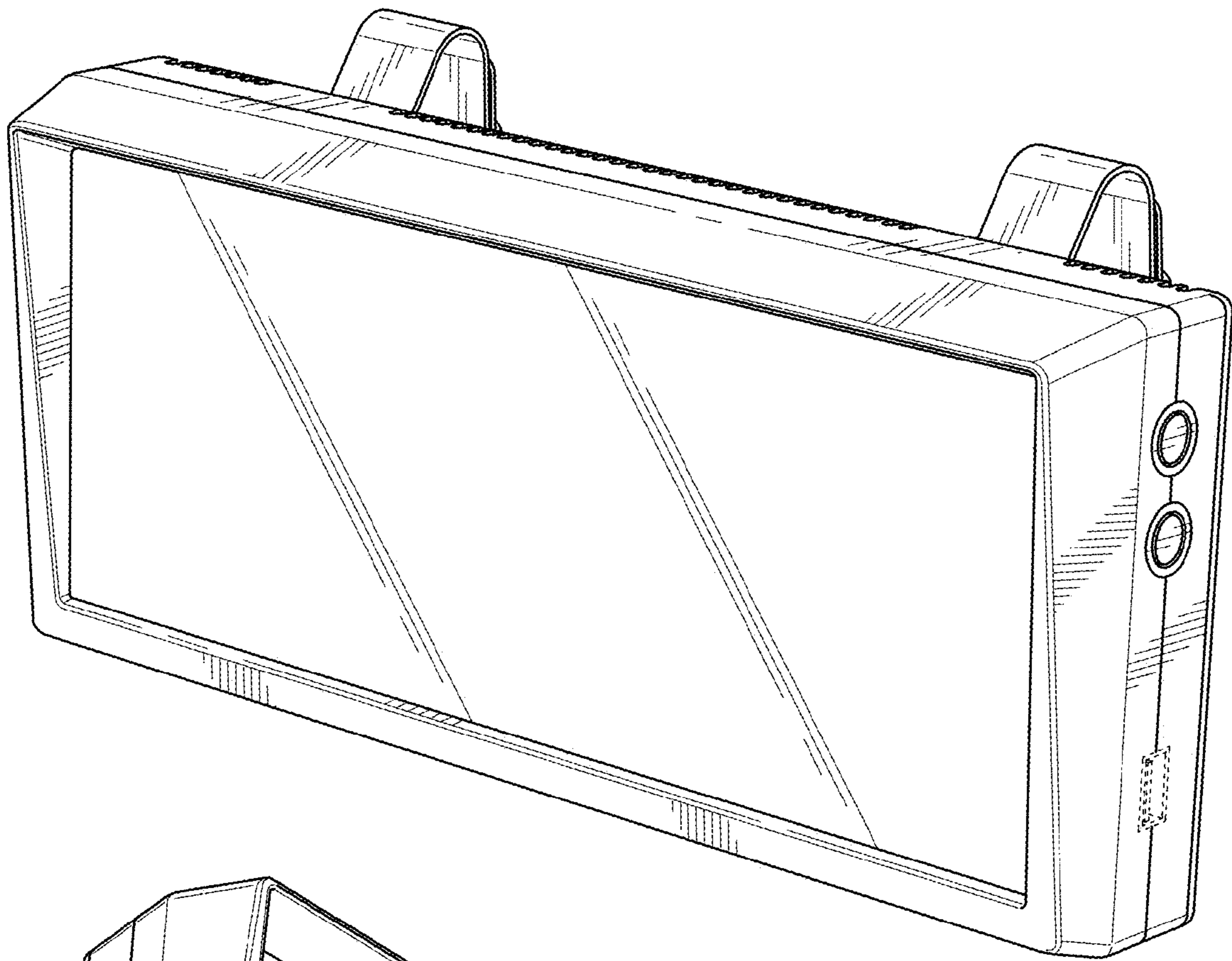


FIG. 1

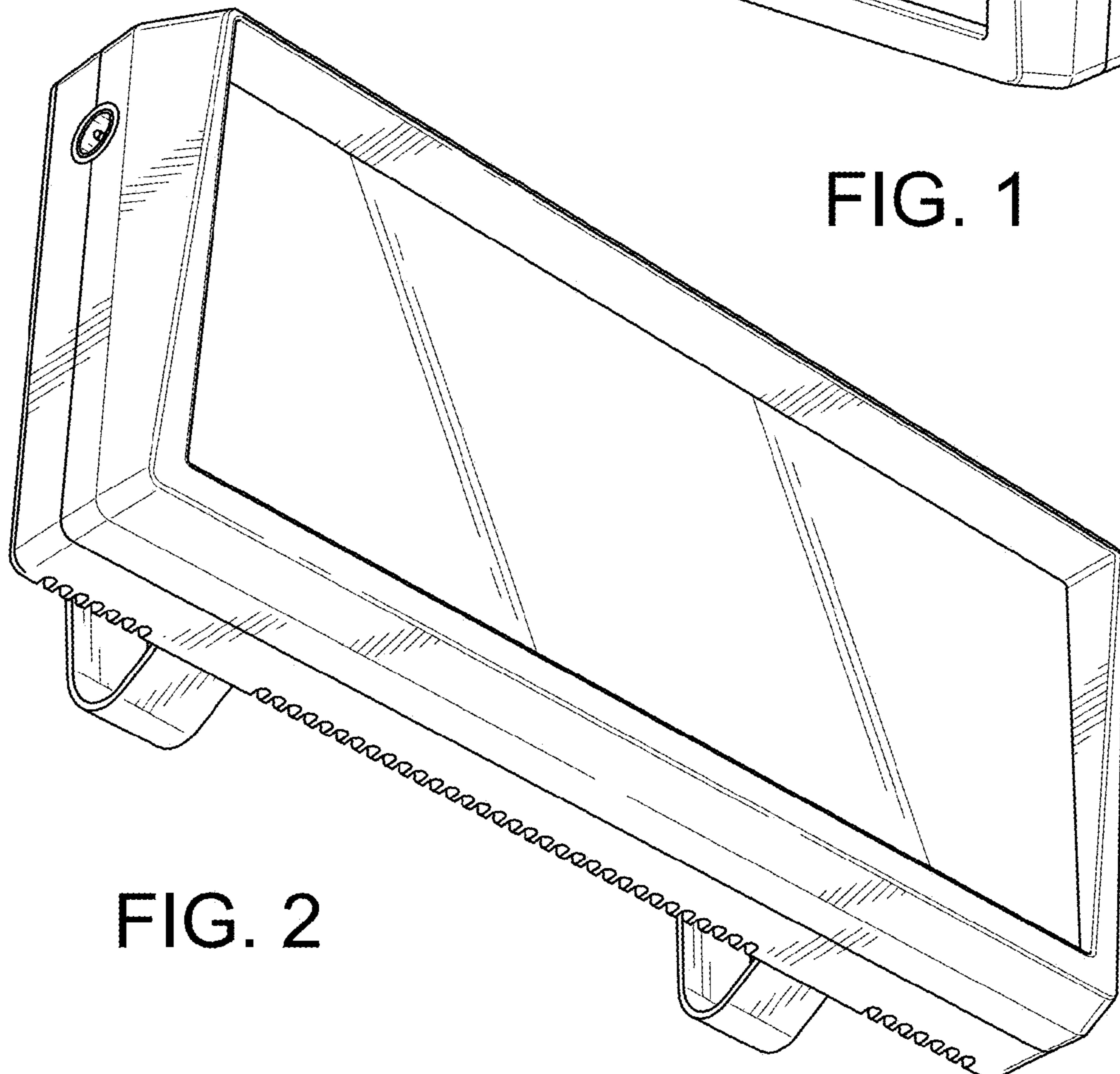


FIG. 2

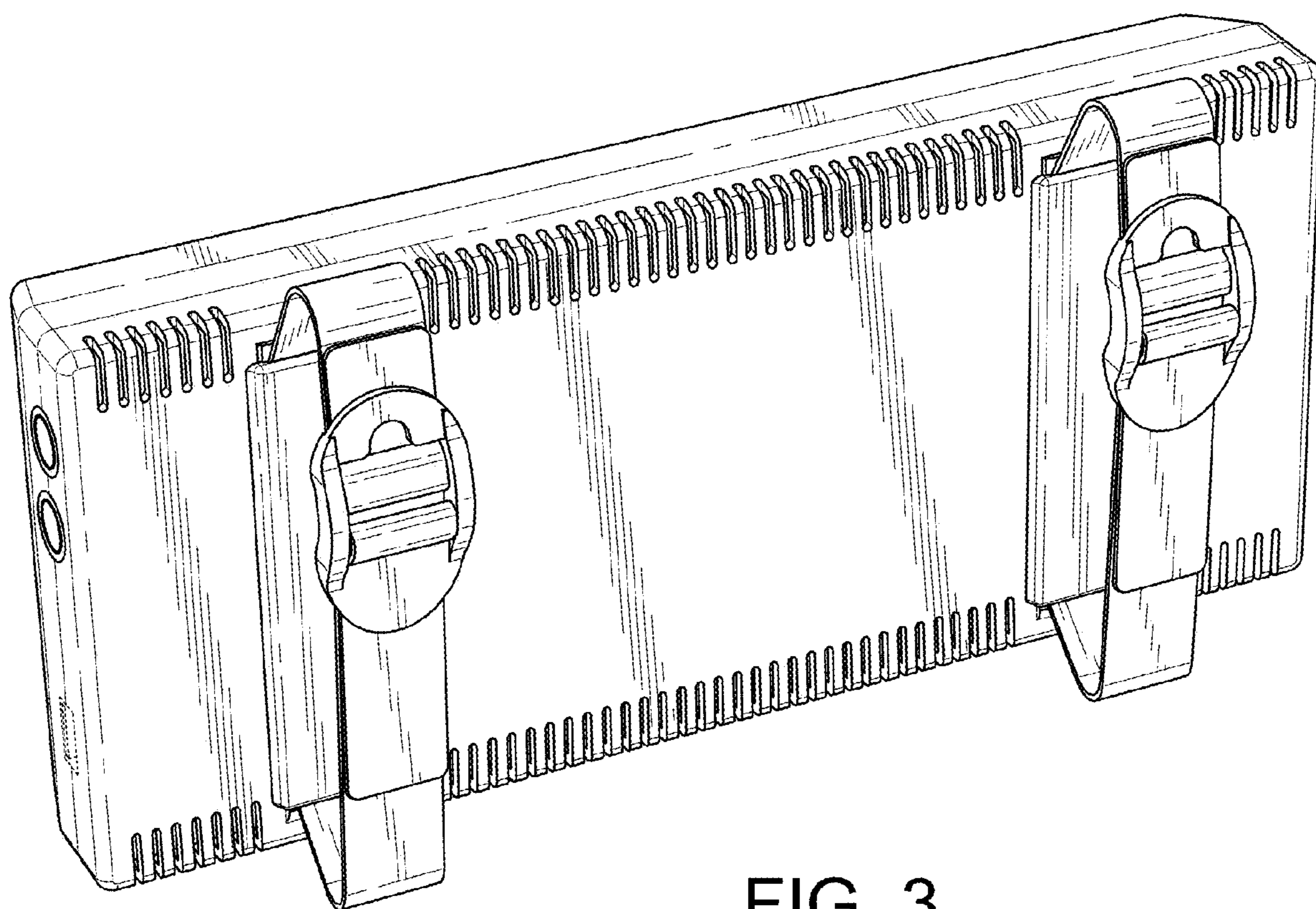


FIG. 3

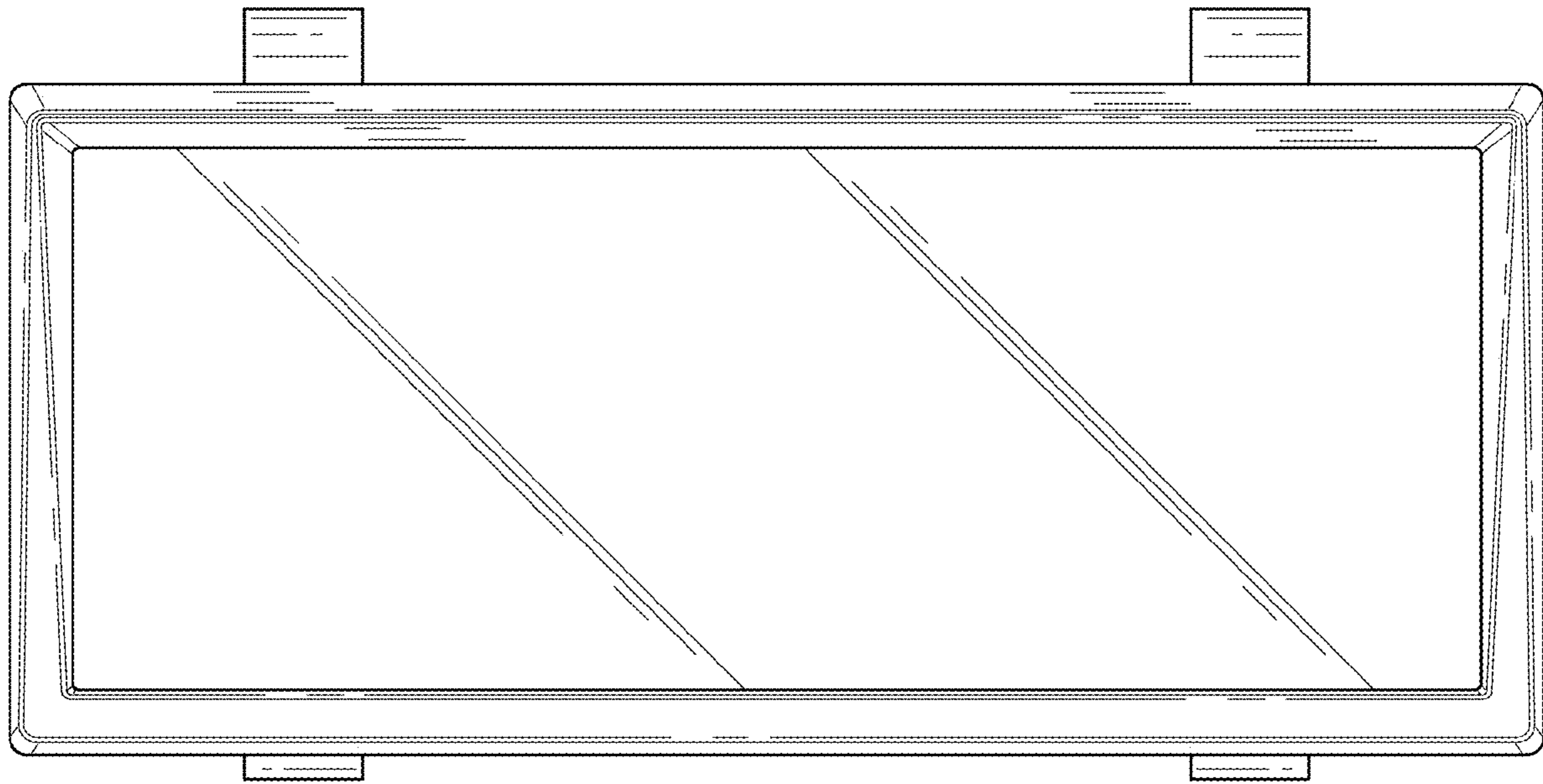


FIG. 4

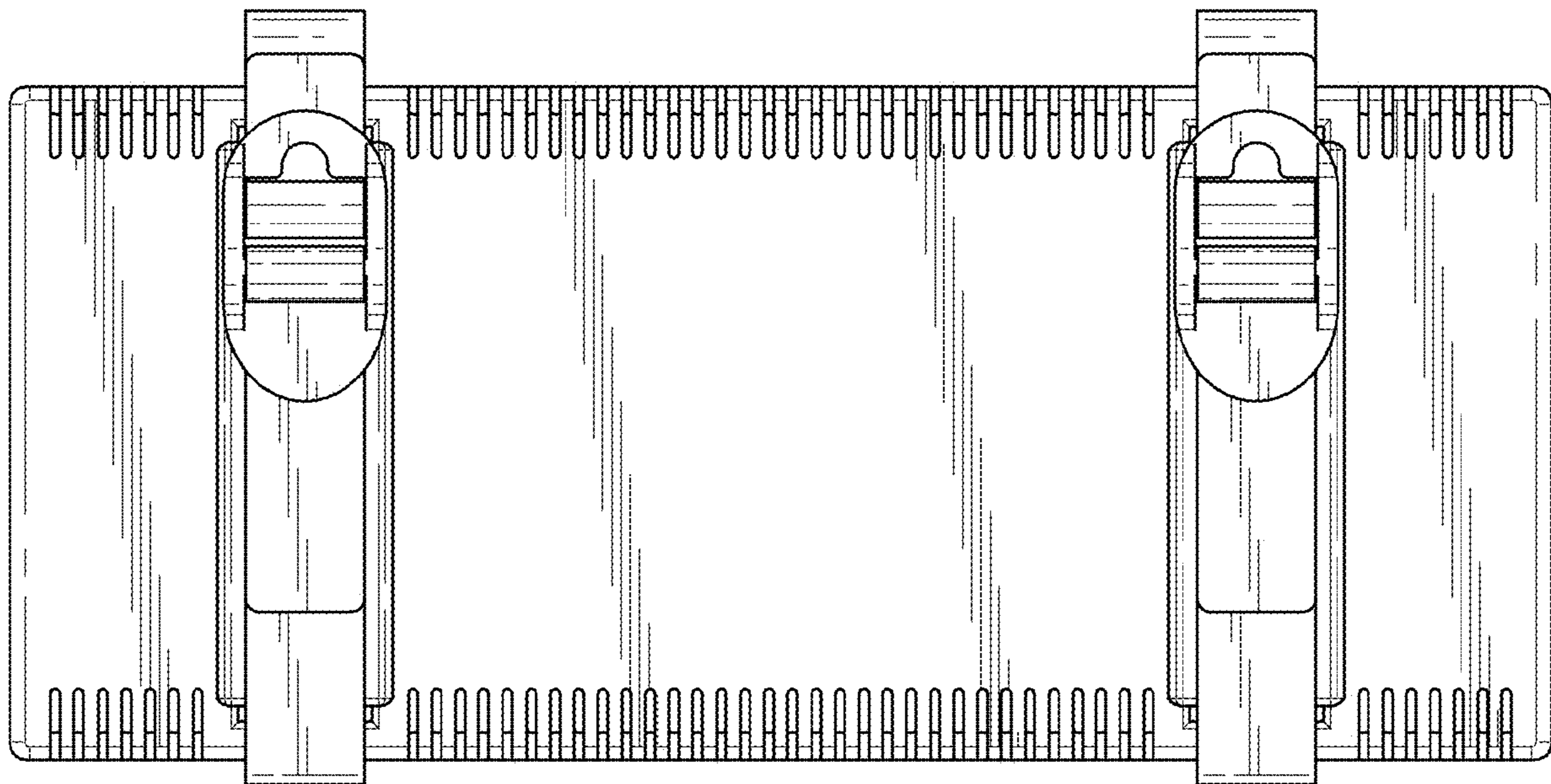


FIG. 5

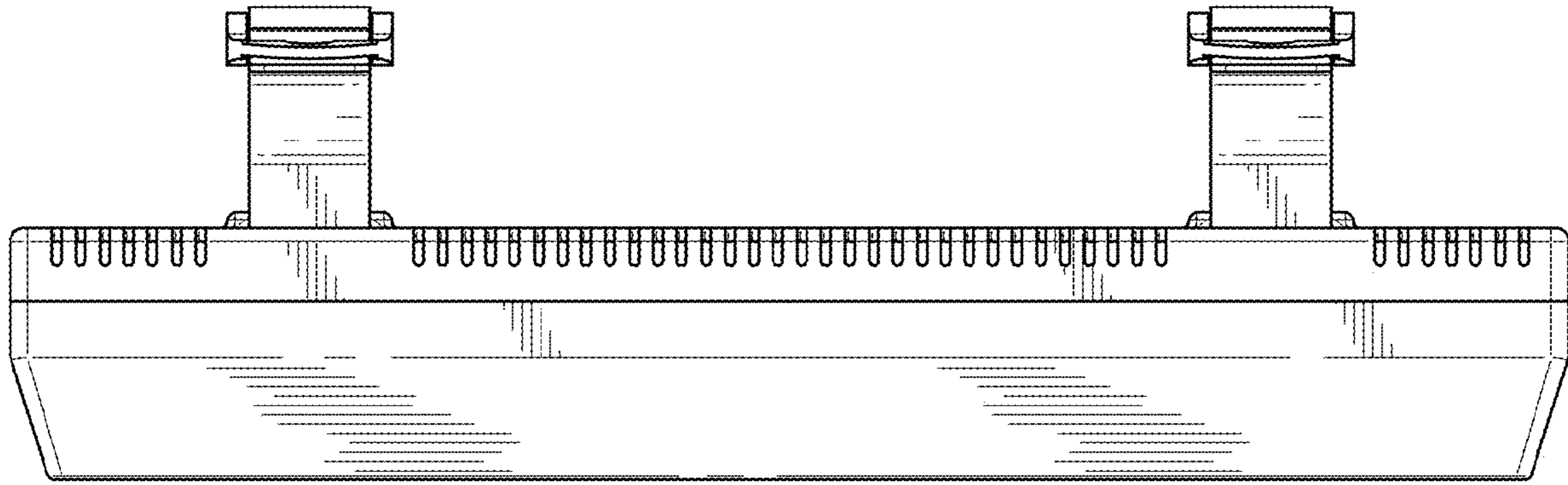


FIG. 6

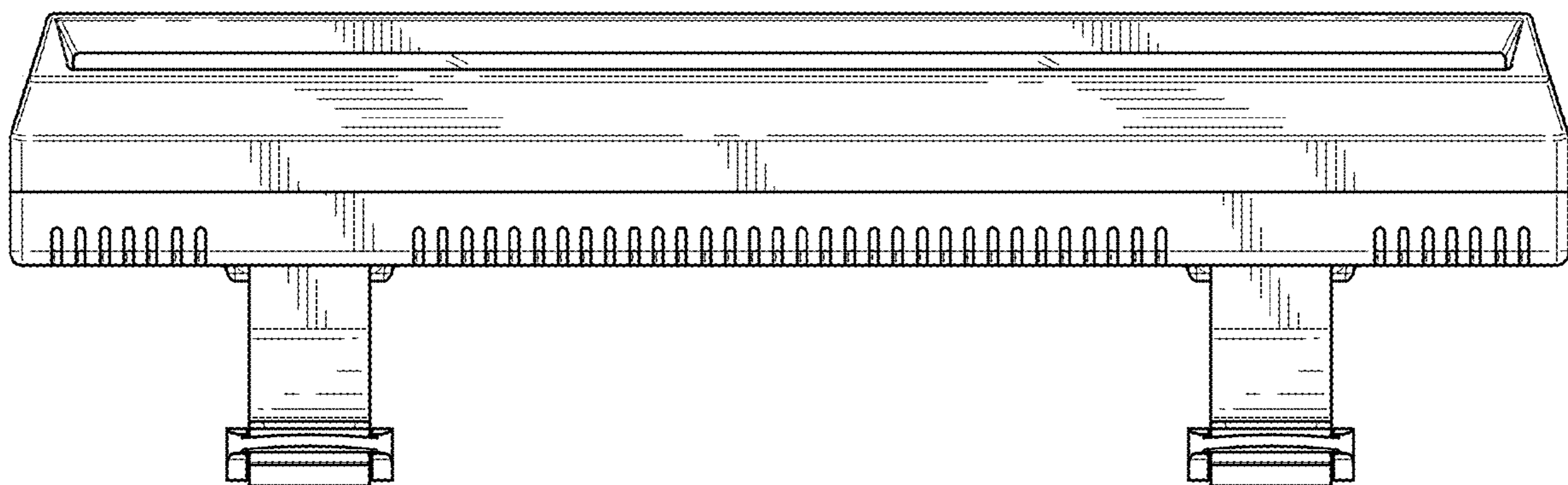


FIG. 7

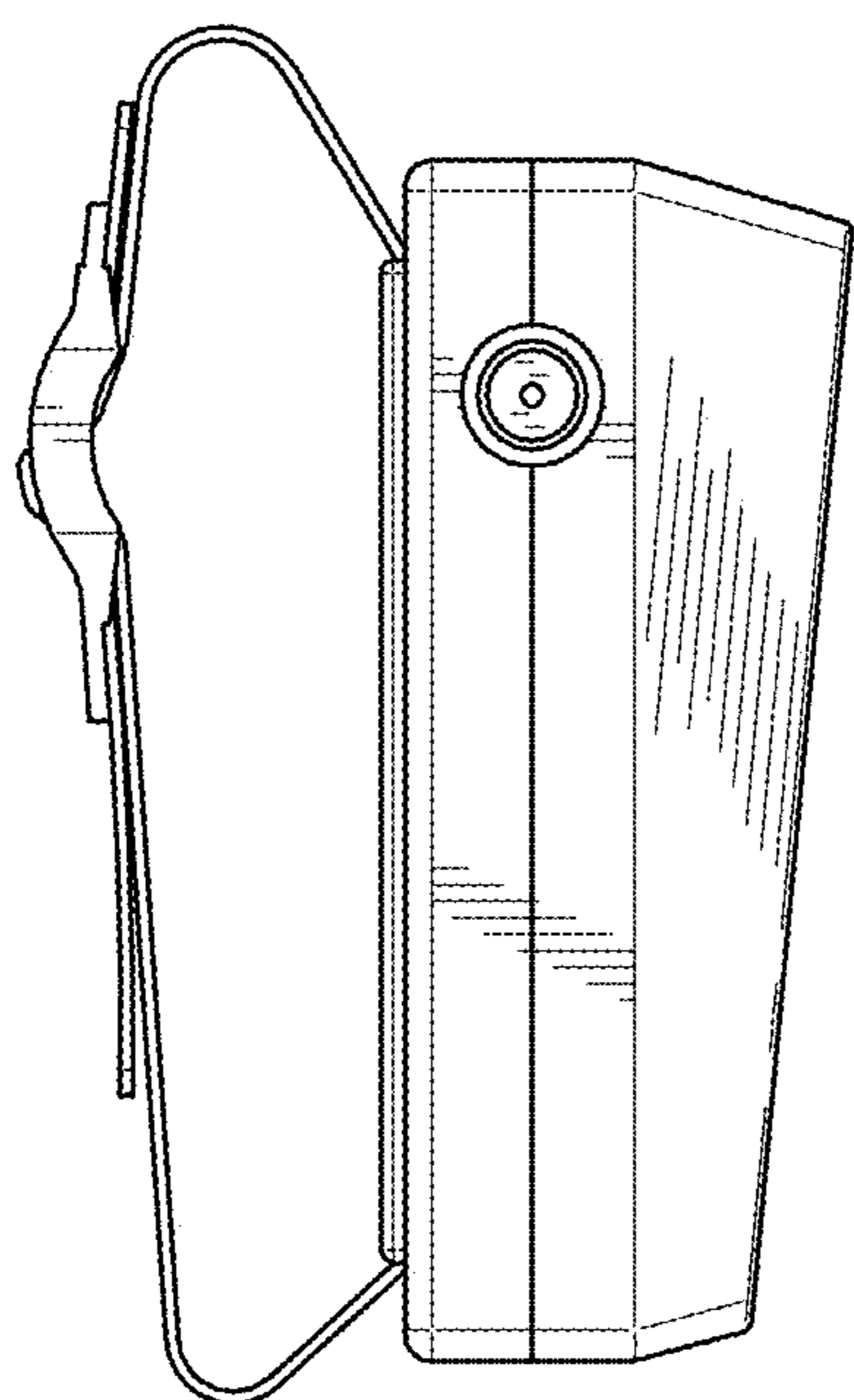


FIG. 8

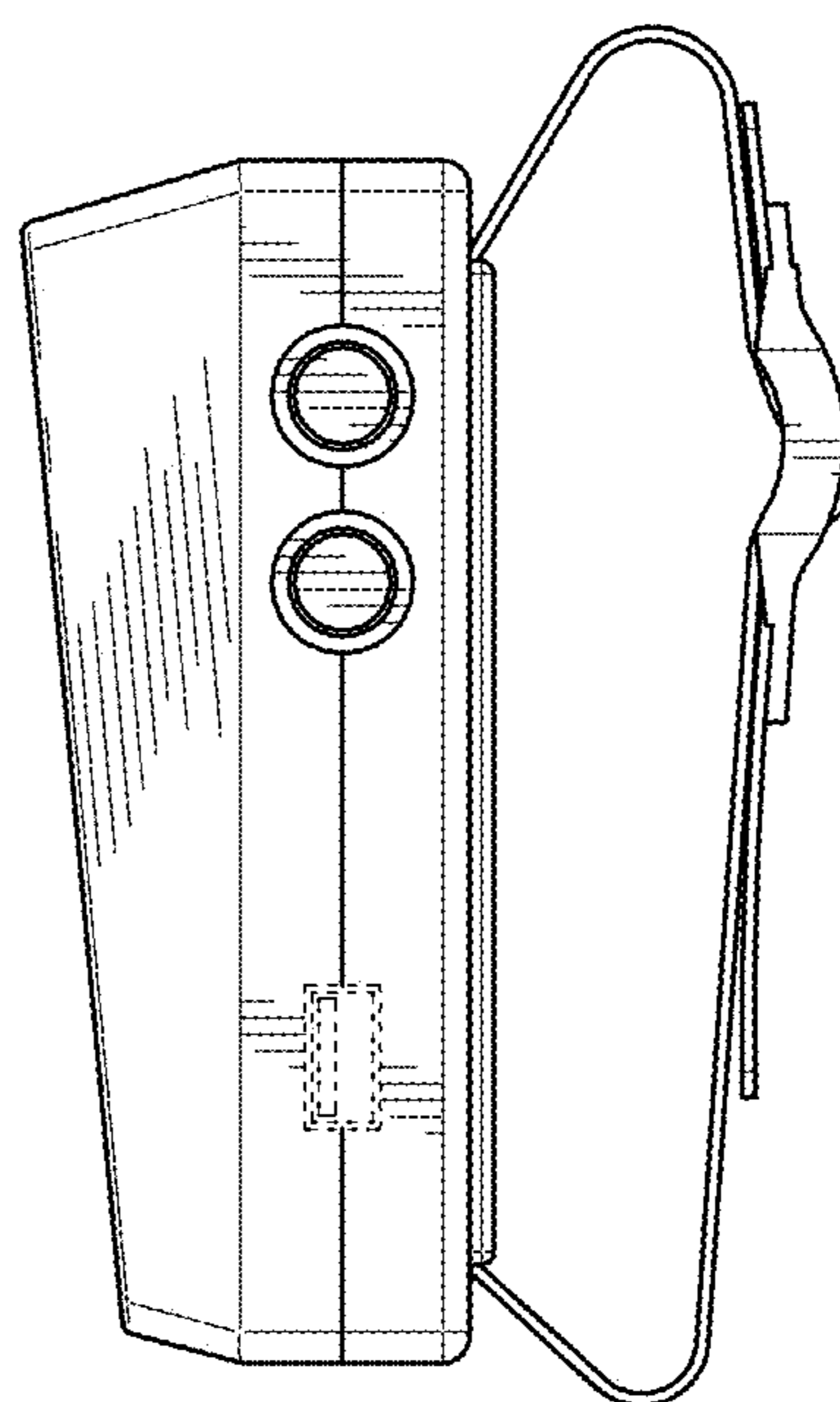


FIG. 9