



US00D918802S

(12) **United States Design Patent** (10) **Patent No.:** **US D918,802 S**
Huang (45) **Date of Patent:** **** May 11, 2021**

(54) **VEHICLE BUMPER**

(71) Applicant: **WINBO-Dongjian Automotive Technology Co., Ltd.**, Foshan Newcity (CN)

(72) Inventor: **Wentao Huang**, Wuchuan (CN)

(73) Assignee: **WINBO-Dongjian Automotive Technology Co., Ltd.**, Foshan Newcity (CN)

(**) Term: **15 Years**

(21) Appl. No.: **29/668,180**

(22) Filed: **Oct. 29, 2018**

(51) **LOC (13) Cl.** **12-16**

(52) **U.S. Cl.**
USPC **D12/171; D12/169**

(58) **Field of Classification Search**
USPC D12/86, 90, 91, 92, 163, 164, 169, 171, D12/196, 216
CPC B60R 19/02; B60R 19/18; B60R 19/24; B60R 19/56; B60R 2019/007; B62D 25/0845
See application file for complete search history.

(56) **References Cited**

U.S. PATENT DOCUMENTS

D300,128 S *	3/1989	Brennan	D12/169
D375,067 S *	10/1996	Bronstein	D12/169
D432,469 S *	10/2000	Nelson	D12/169
D502,433 S *	3/2005	McClanahan	D12/169
7,703,834 B1 *	4/2010	Hardy	B60R 9/06 296/102
D744,384 S *	12/2015	Harriton	D12/169
D744,387 S *	12/2015	Harriton	D12/169
D751,012 S *	3/2016	Hare	D12/169

D760,133 S *	6/2016	Bennett	D12/171
D771,537 S *	11/2016	Hare	D12/169
D775,013 S *	12/2016	Bennett	D12/169
D775,016 S *	12/2016	Reynolds	D12/171
D776,582 S *	1/2017	Bennett	D12/169
D777,619 S *	1/2017	Barajas	D12/167
D792,818 S *	7/2017	McMath	D12/169
D793,304 S *	8/2017	McMath	D12/169
D800,036 S *	10/2017	Bennett	D12/169
D826,115 S *	8/2018	Chi	D12/172
D833,922 S *	11/2018	DiCanzio	D12/163
D847,051 S *	4/2019	DiCanzio	D12/171
2017/0088076 A1 *	3/2017	Fujimoto	B60R 19/04

* cited by examiner

Primary Examiner — Darlington Ly

(74) *Attorney, Agent, or Firm* — Sheridan Ross P.C.

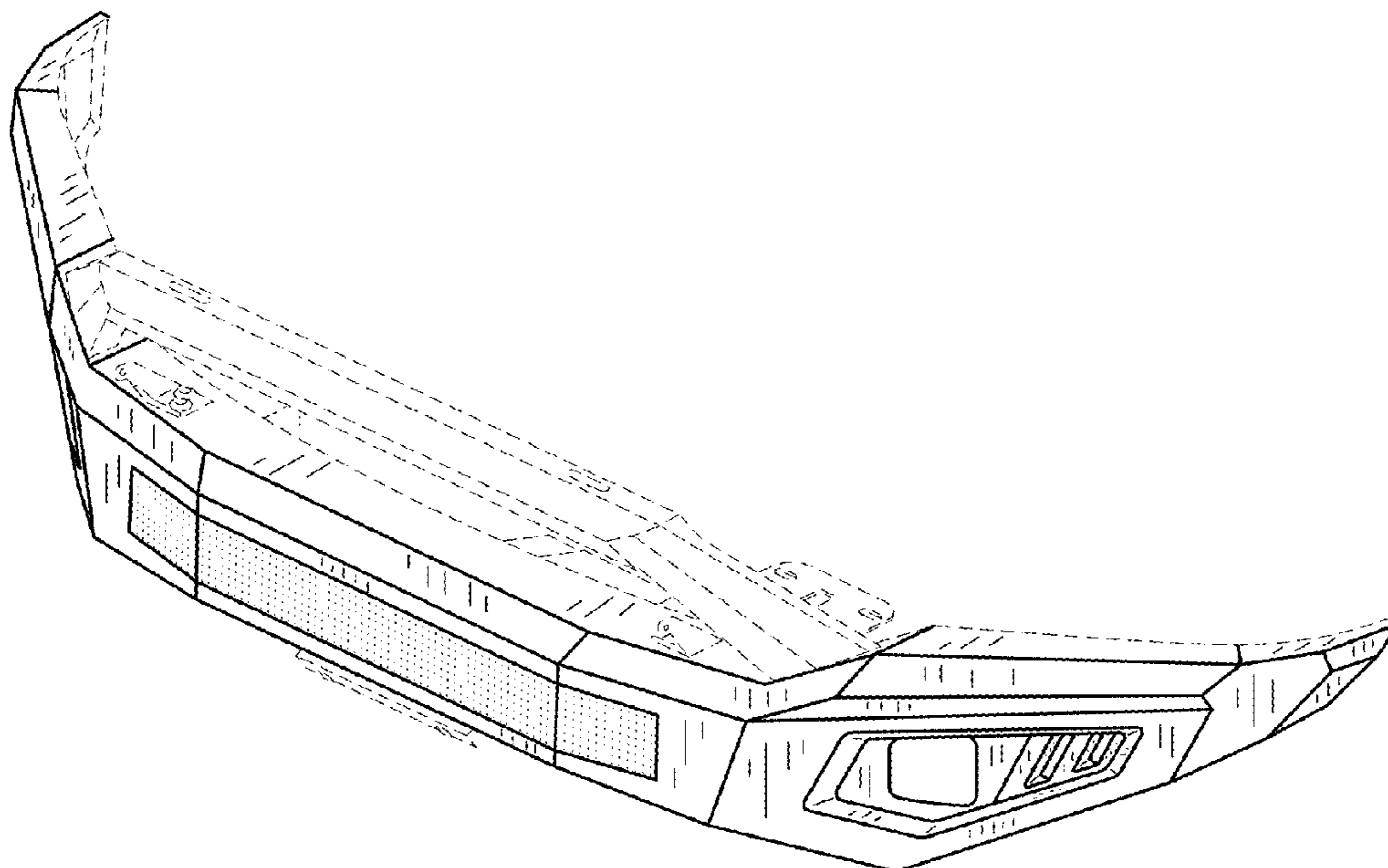
(57) **CLAIM**

The ornamental design for a vehicle bumper, as shown and described.

DESCRIPTION

FIG. 1 is a top front, and right side perspective view of a vehicle bumper showing my new design;
FIG. 2 is a bottom front, and right side perspective view thereof;
FIG. 3 is a front elevation view thereof;
FIG. 4 is a rear elevation view thereof;
FIG. 5 is a right side elevation view thereof;
FIG. 6 is a left side elevation view thereof;
FIG. 7 is a top view plan thereof; and,
FIG. 8 is a bottom plan view thereof.
The dashed lines show portions of the vehicle bumper which form no part of the claimed design. The dashed circular lines inside of a rectangular feature of the vehicle bumper shown in FIGS. 1-6 show portions of the vehicle bumper which form no part of the claimed design.

1 Claim, 7 Drawing Sheets



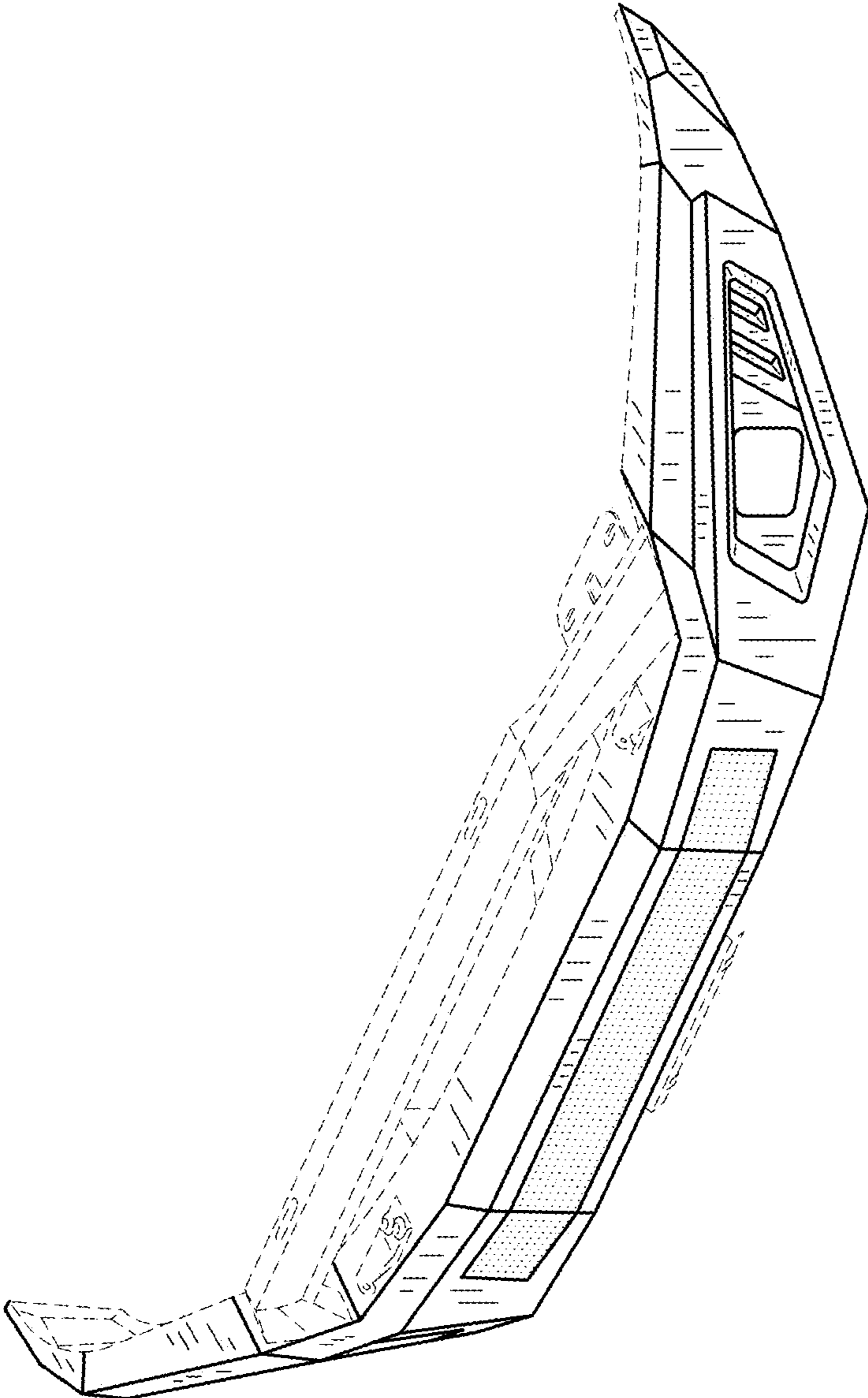


FIG.1

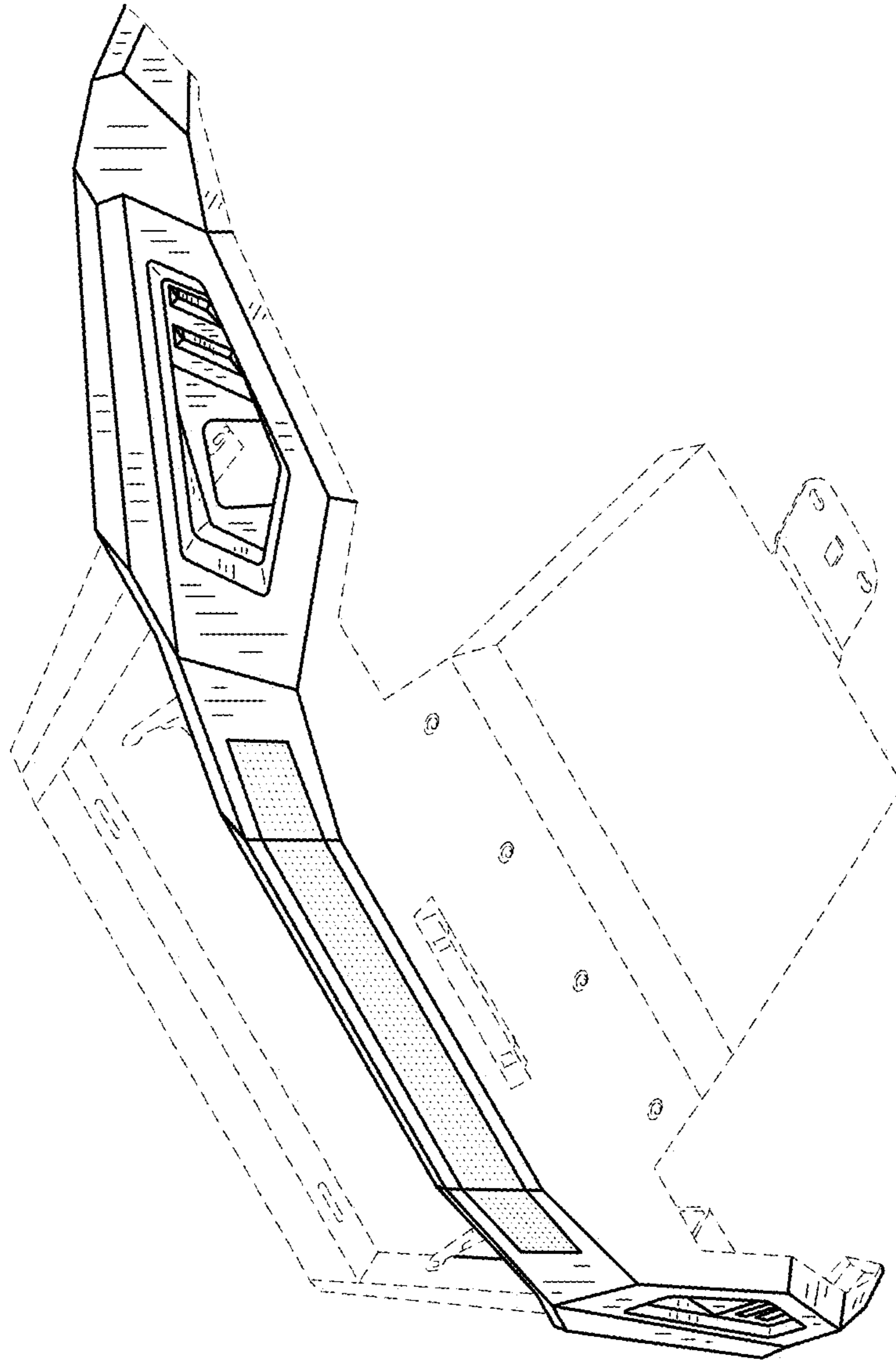


FIG.2

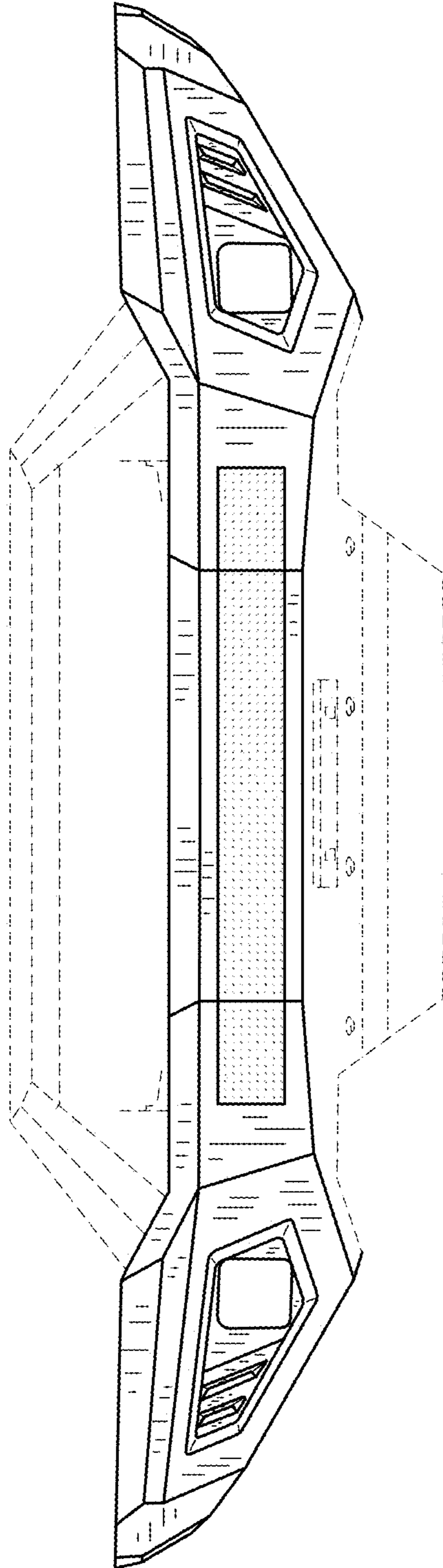


FIG.3

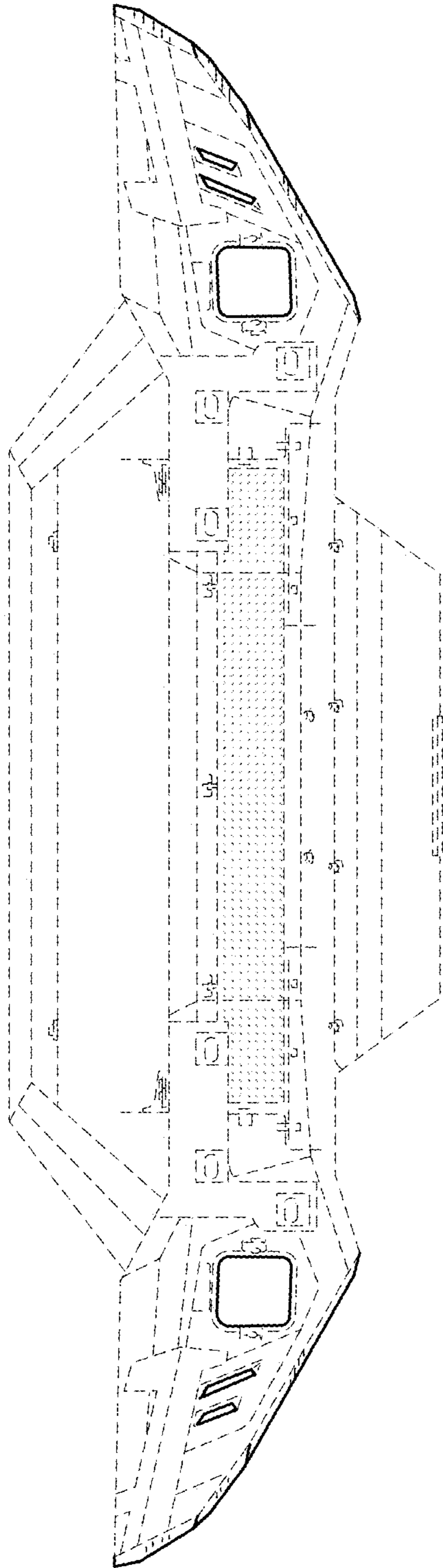


FIG.4

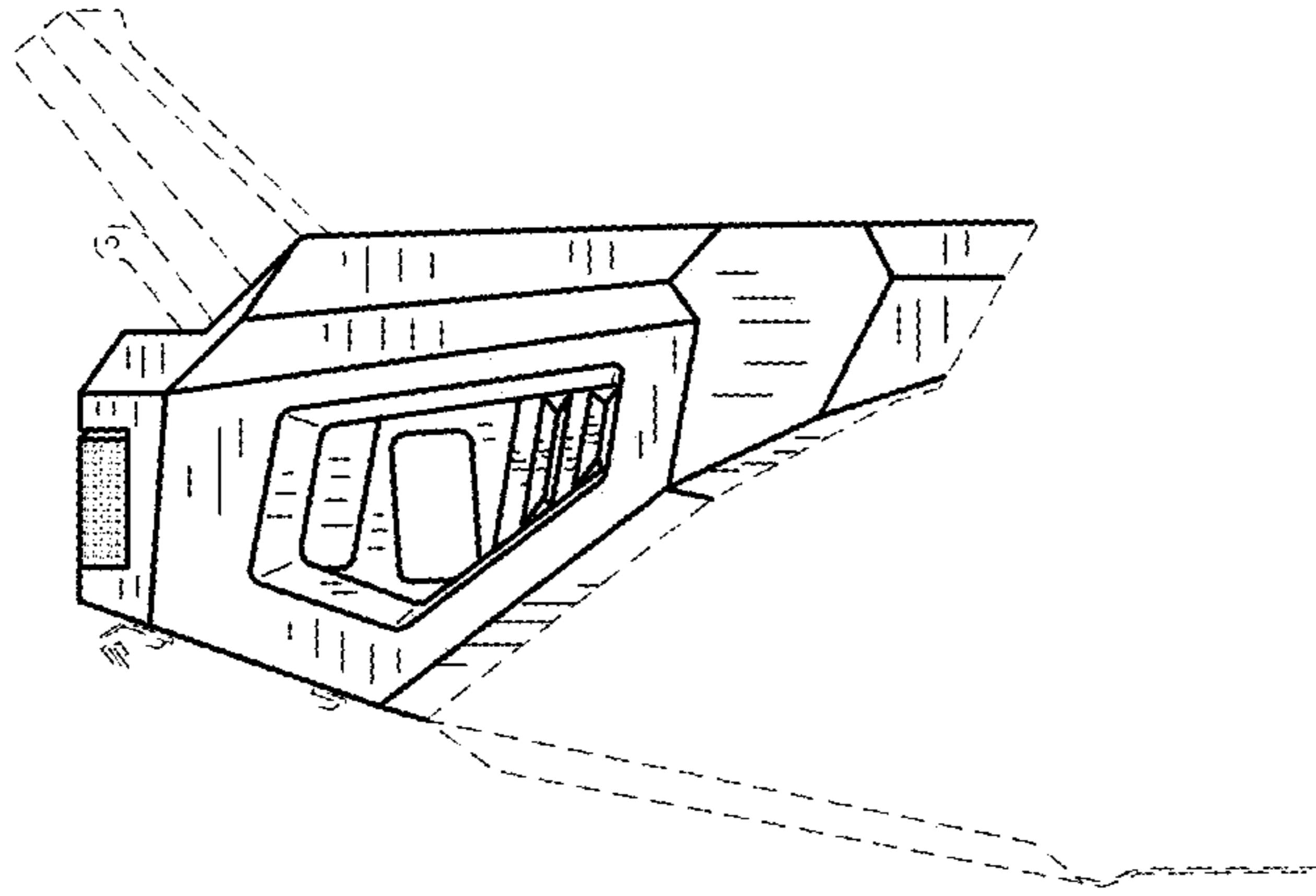


FIG.5

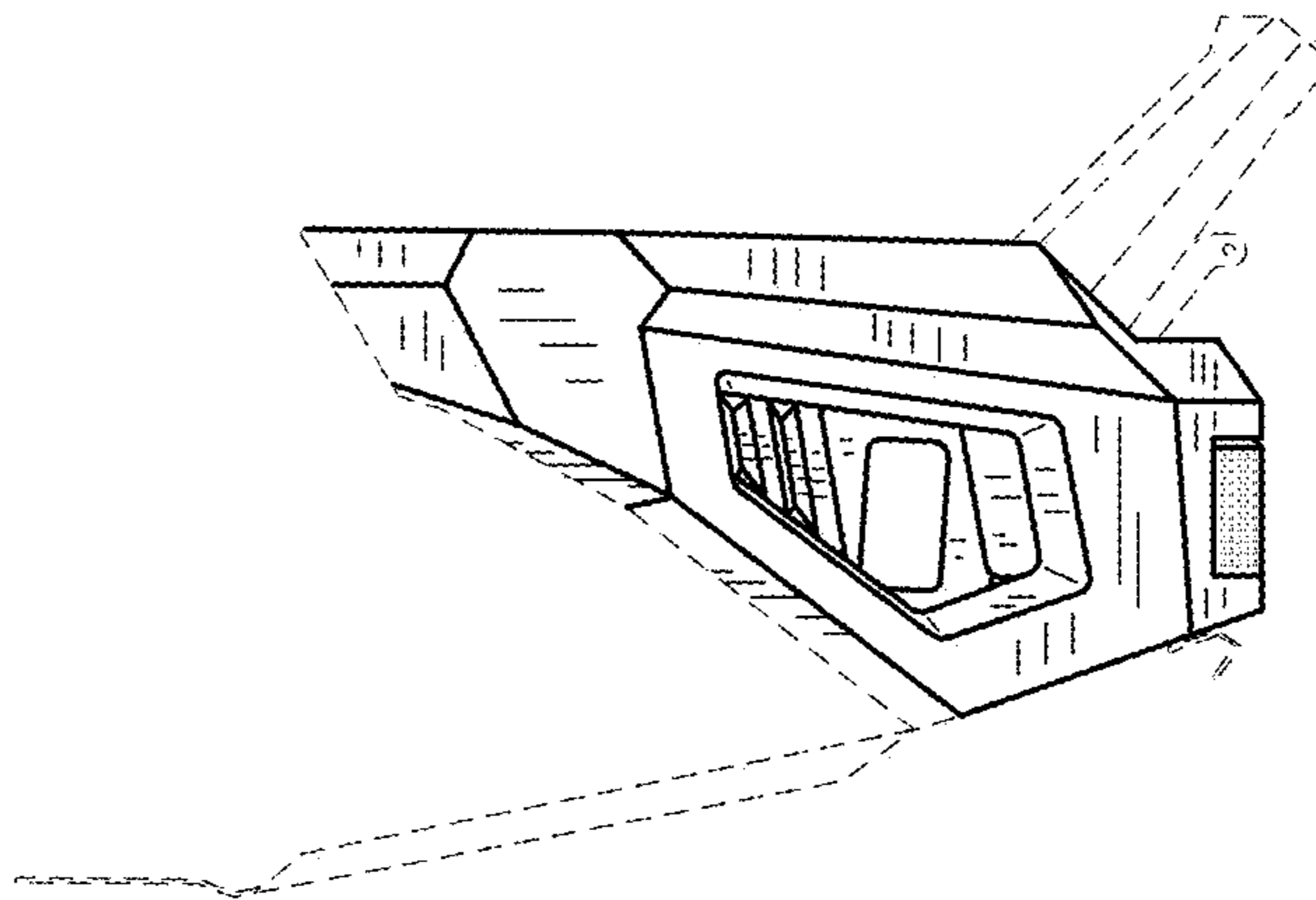


FIG.6

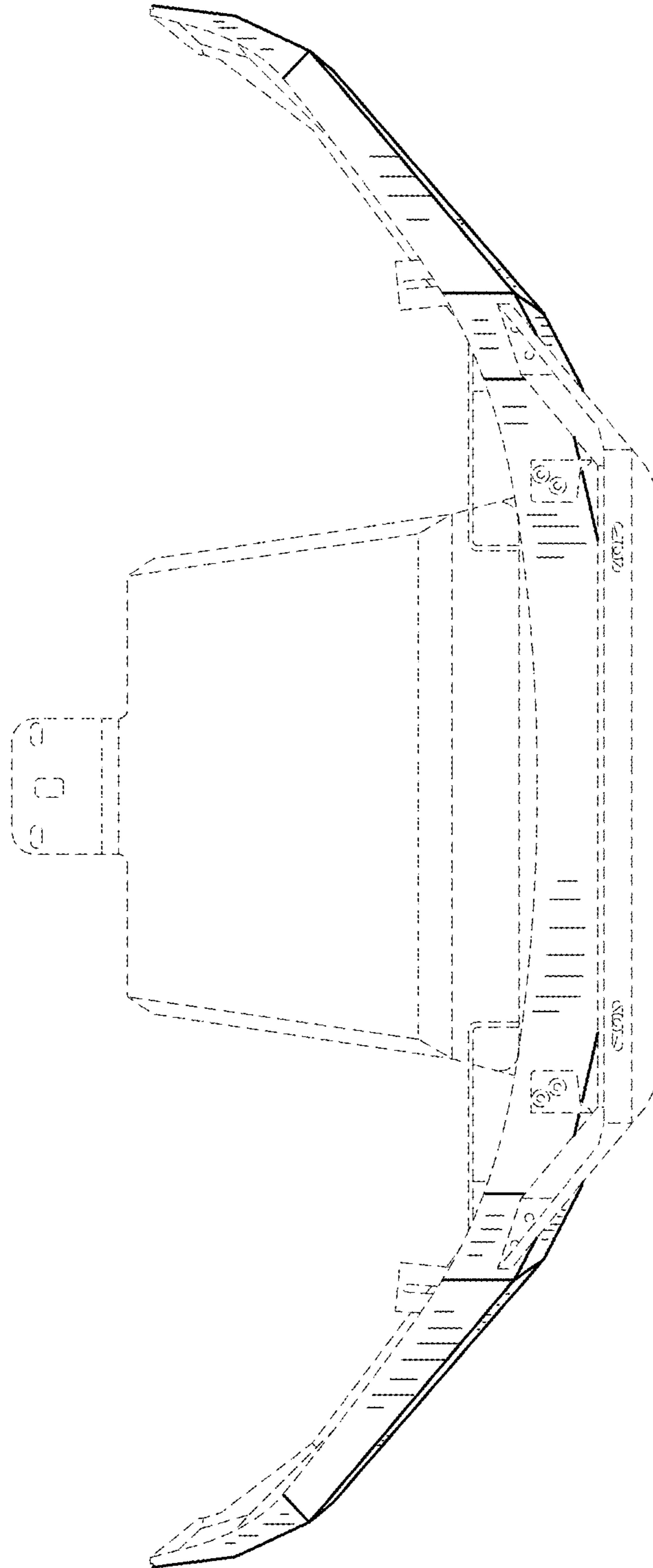


FIG. 7

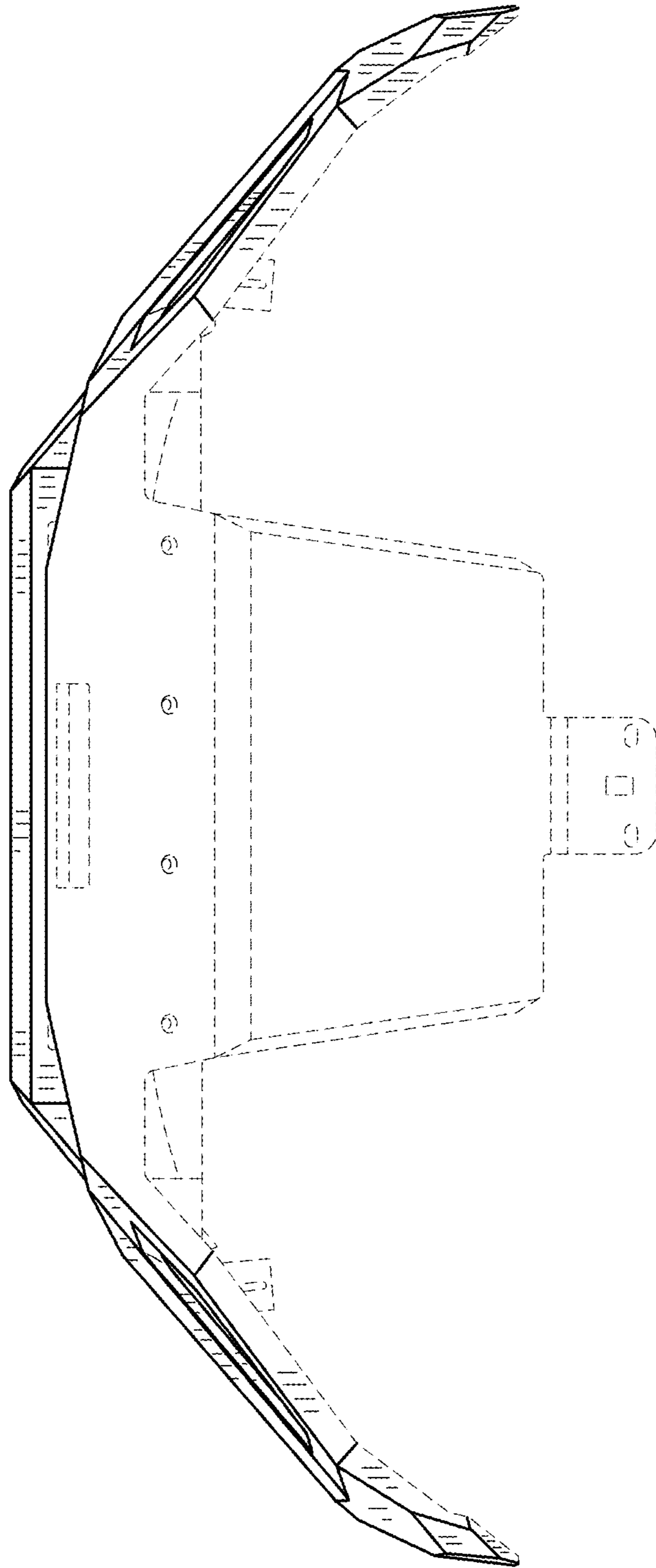


FIG.8