



US00D918801S

(12) **United States Design Patent**  
**Becker et al.**

(10) **Patent No.:** **US D918,801 S**

(45) **Date of Patent:** **\*\* May 11, 2021**

(54) **VEHICLE, TOY REPLICA, AND/OR OTHER REPLICA**

(71) Applicant: **JAGUAR LAND ROVER LIMITED**,  
Coventry (GB)

(72) Inventors: **Jannik Becker**, Coventry (GB); **Simon Tovey**, Coventry (GB)

(73) Assignee: **JAGUAR LAND ROVER LIMITED**,  
Coventry (GB)

(\*\*) Term: **15 Years**

(21) Appl. No.: **29/743,703**

(22) Filed: **Jul. 23, 2020**

(51) **LOC (13) Cl.** ..... **12-16**

(52) **U.S. Cl.**  
USPC ..... **D12/169**

(58) **Field of Classification Search**  
USPC .... D12/86, 90-92, 164; D21/424, 433, 434,  
D21/531, 533; 296/181.1, 181.5, 183.1  
CPC ..... B62D 25/00; B62D 25/06; B62D 33/00;  
B62D 35/00  
See application file for complete search history.

(56) **References Cited**

**U.S. PATENT DOCUMENTS**

D698,697 S \* 2/2014 Winkelmann ..... D12/91  
D719,878 S \* 12/2014 Webber ..... D12/92  
D725,007 S \* 3/2015 Beaven ..... D12/164  
D731,922 S \* 6/2015 Beaven ..... D12/91

D739,305 S \* 9/2015 Gunnarson ..... D12/91  
D749,996 S \* 2/2016 Henstridge ..... D12/164  
D784,856 S \* 4/2017 Hatton ..... D12/91  
D807,788 S \* 1/2018 Hatton ..... D12/91  
D813,100 S \* 3/2018 Hatton ..... D12/92  
D832,144 S \* 10/2018 Hatton ..... D12/91  
D841,518 S \* 2/2019 Tovey ..... D12/91  
D847,024 S \* 4/2019 Patel ..... D12/91  
D859,212 S \* 9/2019 Beckles ..... D12/91  
D881,070 S \* 4/2020 Smith ..... D12/91  
D903,531 S \* 12/2020 Beaven ..... D12/91  
D906,174 S \* 12/2020 Beaven ..... D12/91

\* cited by examiner

*Primary Examiner* — Melody N Brown

(74) *Attorney, Agent, or Firm* — Reising Ethington P.C.

(57) **CLAIM**

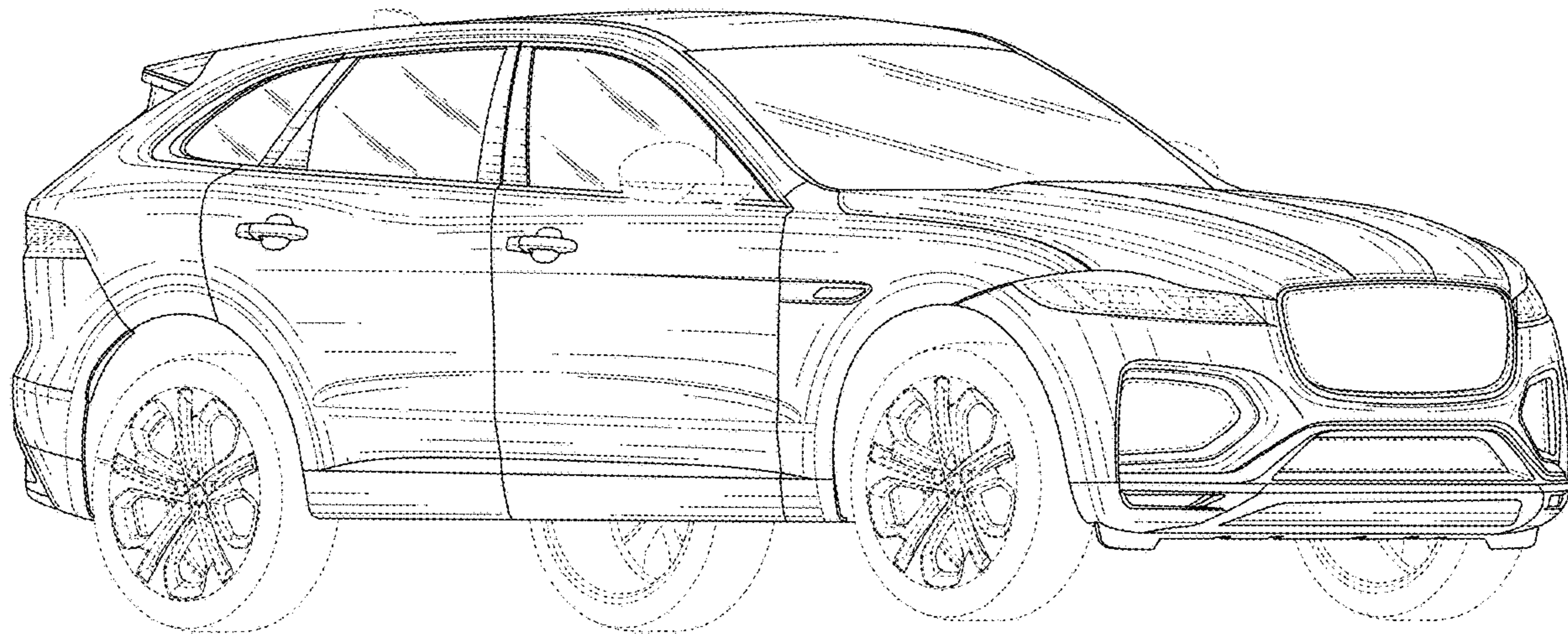
The ornamental design for a vehicle, toy replica, and/or other replica, as shown and described.

**DESCRIPTION**

FIG. 1 is a right, front perspective view of a vehicle, toy replica, and/or other replica showing our new design;  
FIG. 2 is a right, rear perspective view thereof;  
FIG. 3 is a left side elevation view thereof;  
FIG. 4 is a right side elevation view thereof;  
FIG. 5 is a front view thereof;  
FIG. 6 is a rear view thereof; and,  
FIG. 7 is a top view thereof.

The broken lines shown in the drawings depict portions of the vehicle, toy replica, and/or other replica that form no part of the claimed design.

**1 Claim, 7 Drawing Sheets**



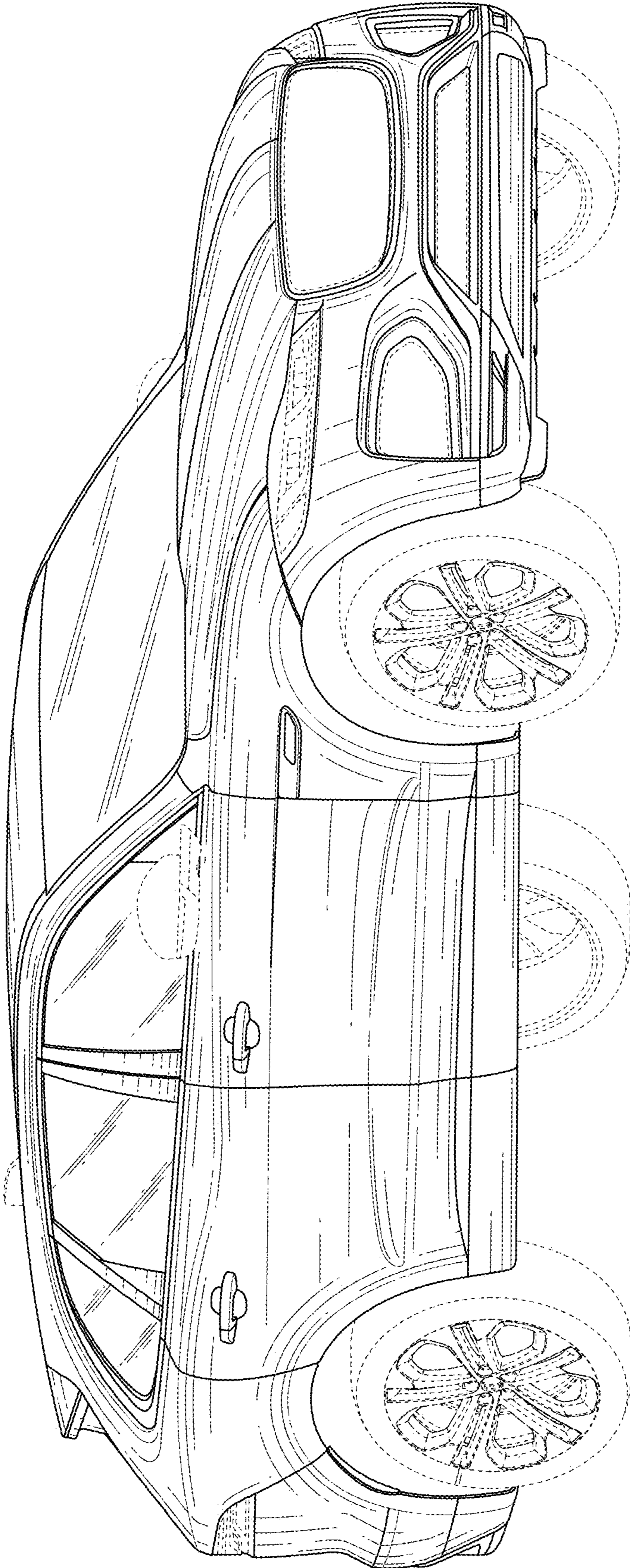


FIG. 1

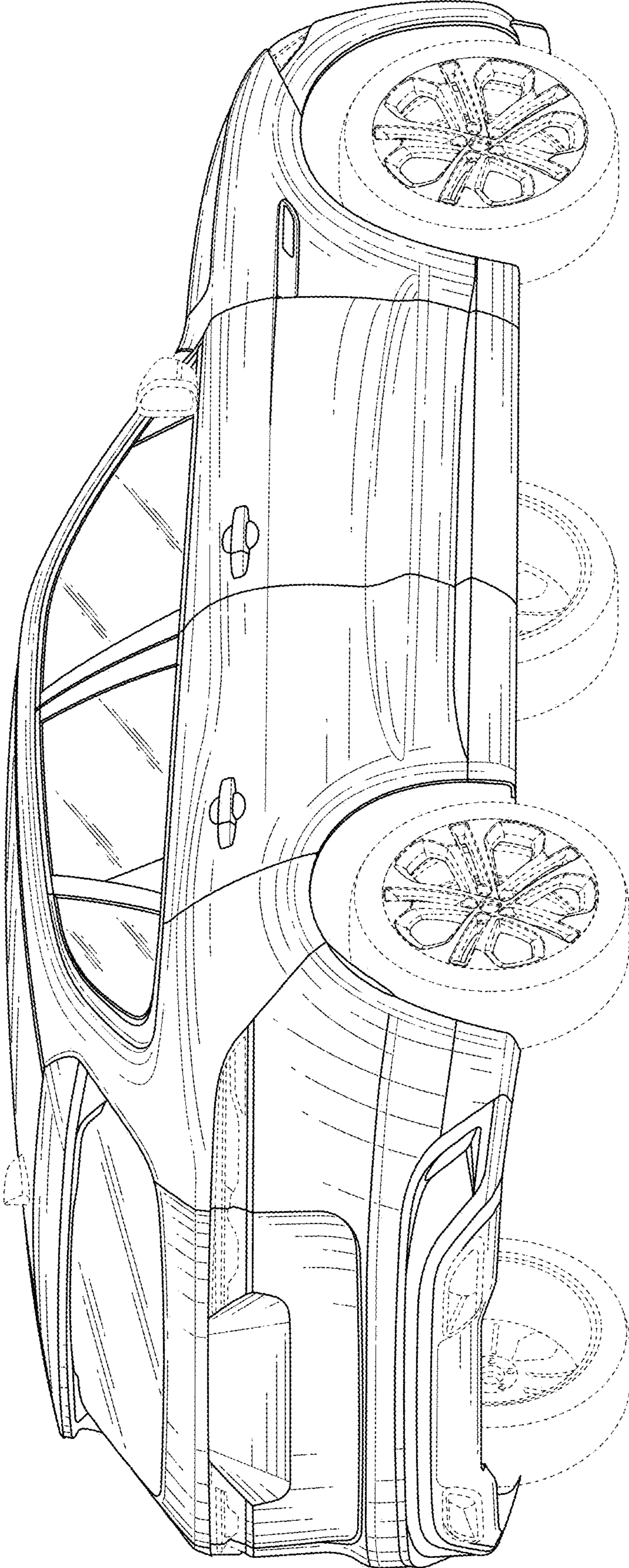


FIG. 2

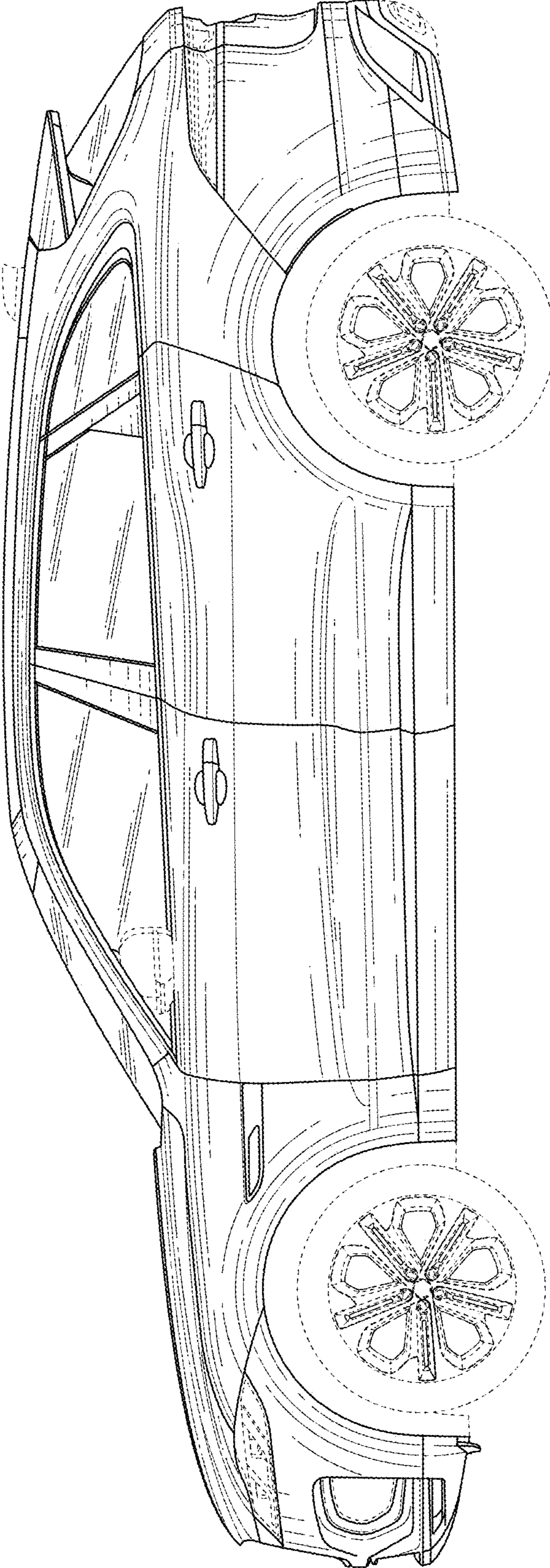


FIG. 3

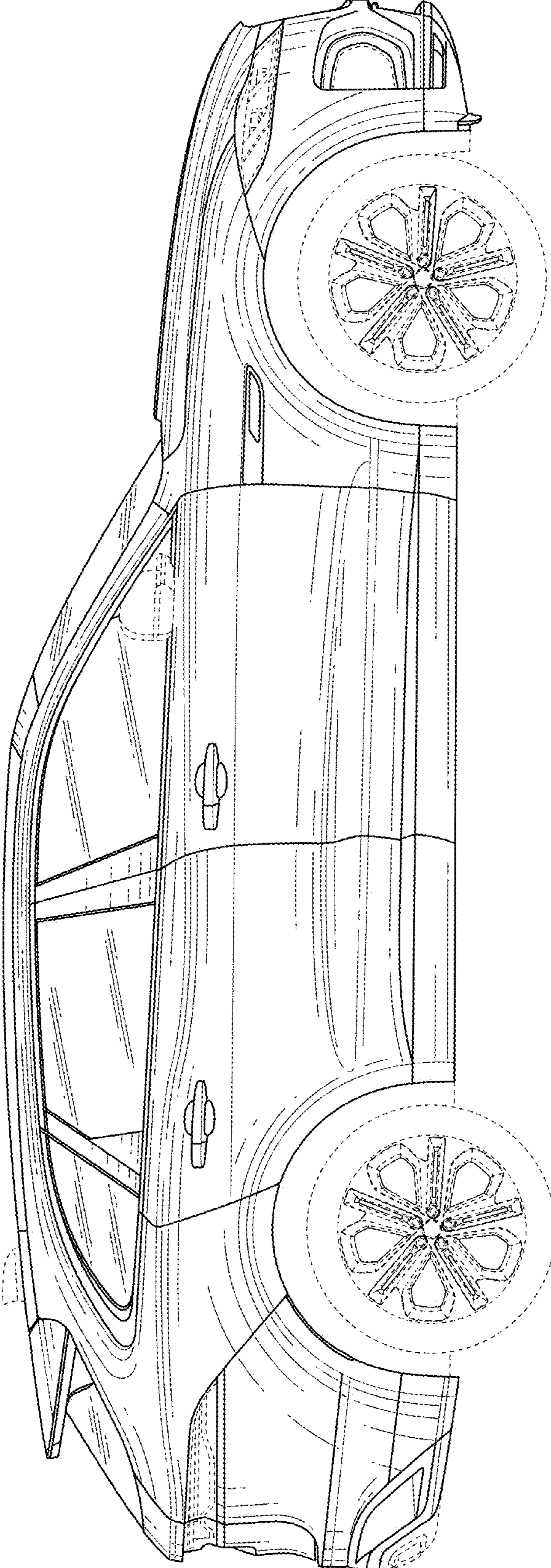
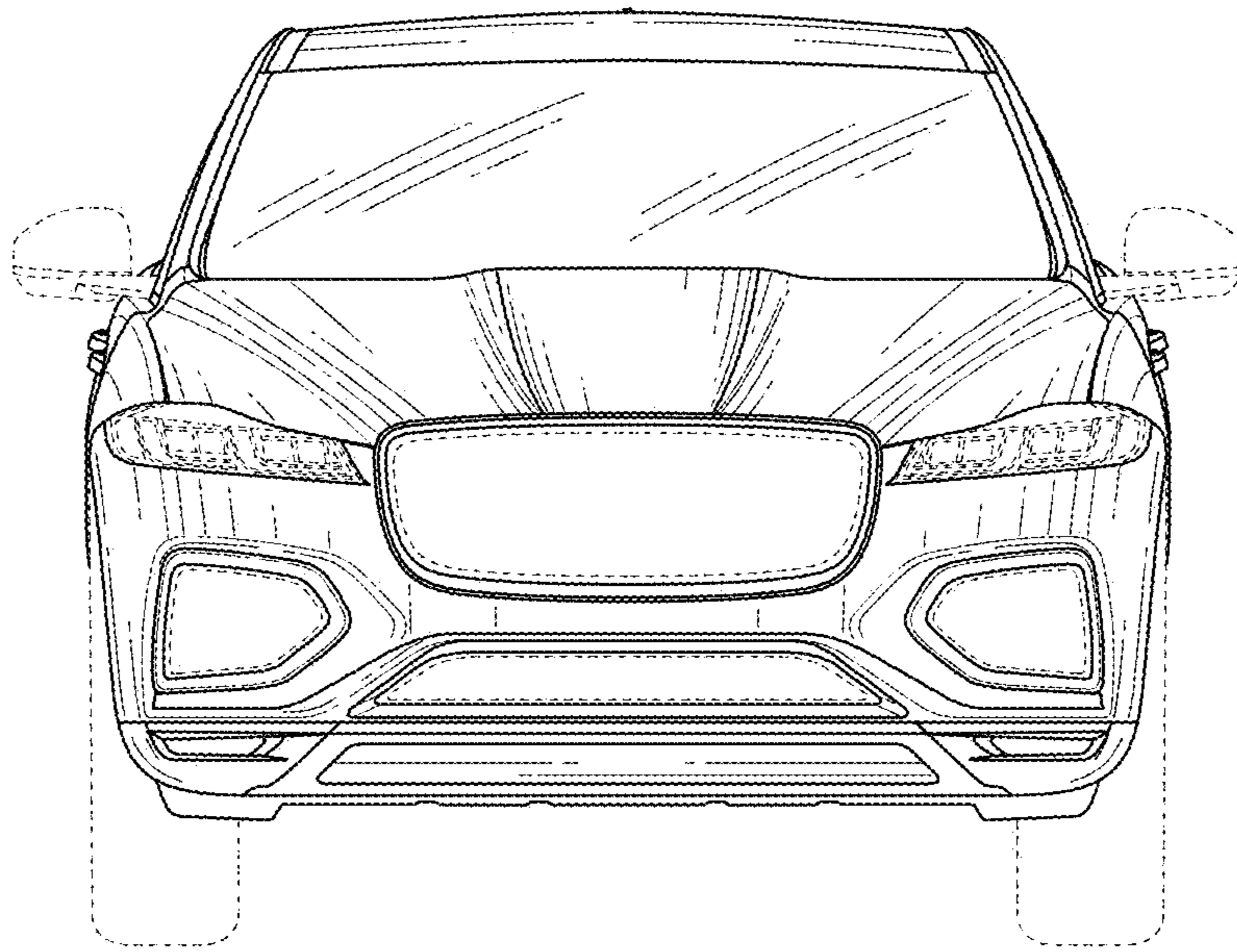
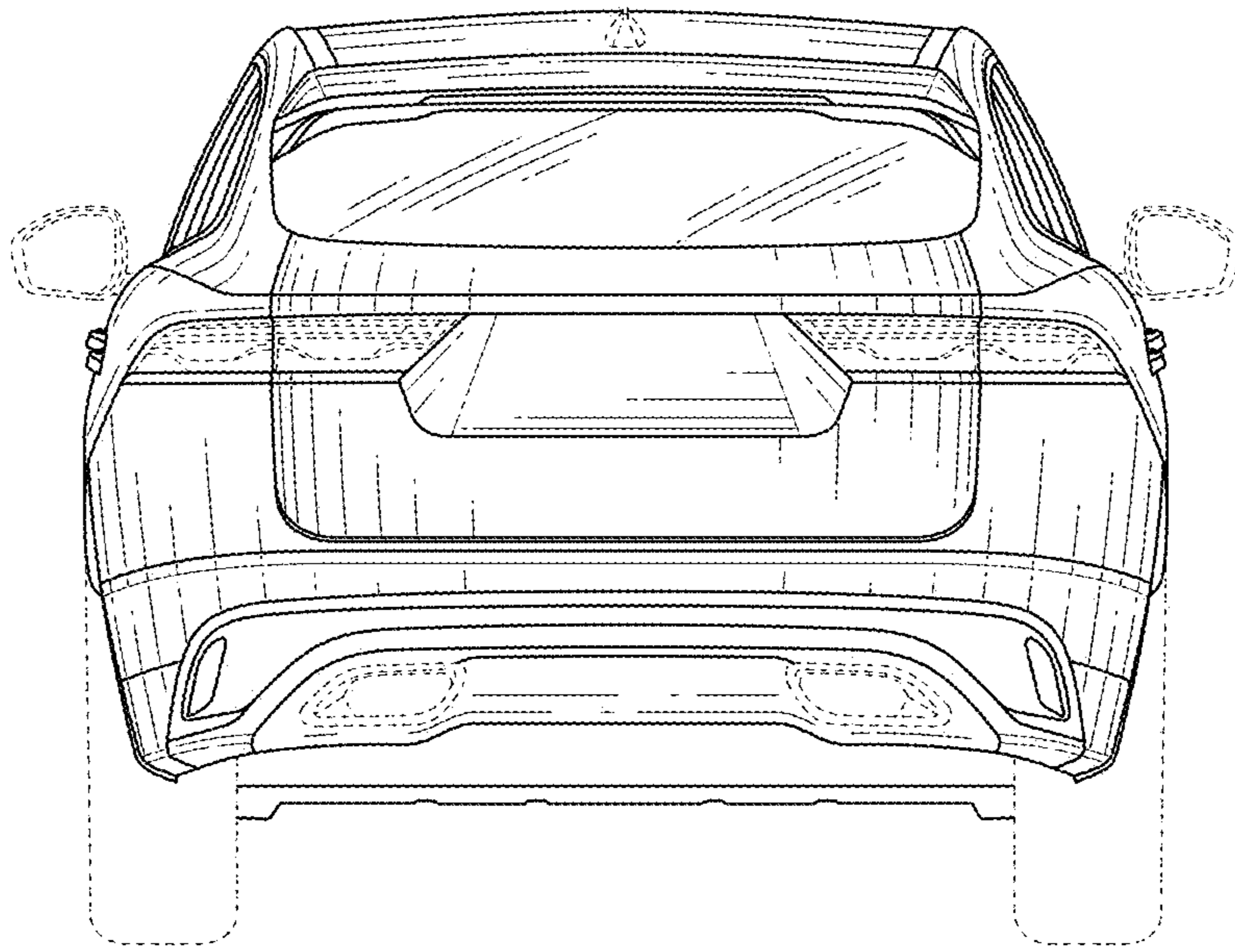


FIG. 4



*FIG. 5*



*FIG. 6*

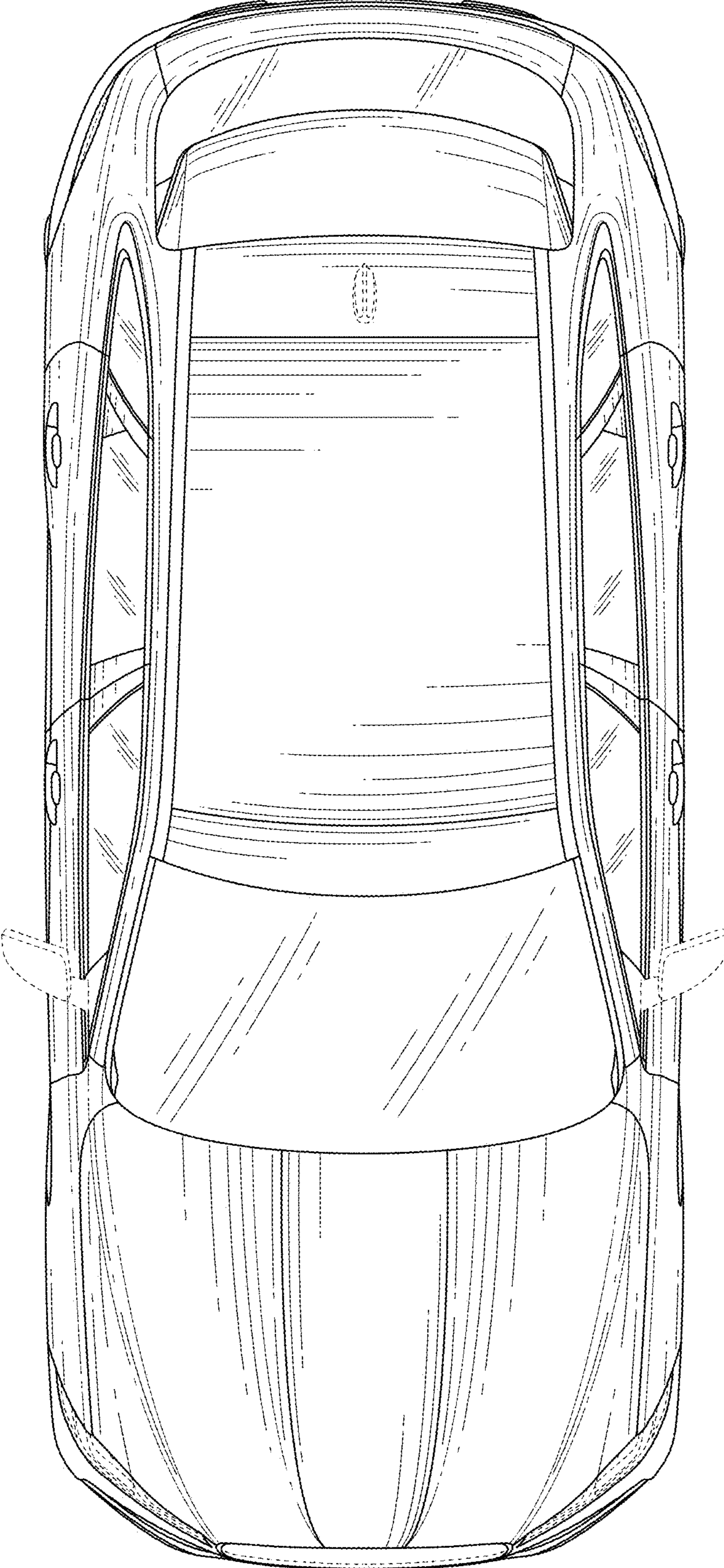


FIG. 7



UNITED STATES PATENT AND TRADEMARK OFFICE  
**CERTIFICATE OF CORRECTION**

PATENT NO. : D918,801 S  
APPLICATION NO. : 29/743703  
DATED : May 11, 2021  
INVENTOR(S) : Jannik Becker and Simon Tovey

Page 1 of 1

It is certified that error appears in the above-identified patent and that said Letters Patent is hereby corrected as shown below:

On the Title Page

(30) Foreign Application Priority Data January 24, 2020 (EM) 007554233-0001 should be added.

Signed and Sealed this  
Thirteenth Day of July, 2021



Drew Hirshfeld  
*Performing the Functions and Duties of the  
Under Secretary of Commerce for Intellectual Property and  
Director of the United States Patent and Trademark Office*