



US00D918787S

(12) **United States Design Patent**
Cotter

(10) **Patent No.:** **US D918,787 S**

(45) **Date of Patent:** **** *May 11, 2021**

(54) **PROTECTIVE SLEEVE FOR A TRAILER HITCH**

(71) Applicant: **Jeffrey Gene Cotter**, Granite City, IL (US)

(72) Inventor: **Jeffrey Gene Cotter**, Granite City, IL (US)

(*) Notice: This patent is subject to a terminal disclaimer.

(**) Term: **15 Years**

(21) Appl. No.: **29/613,079**

(22) Filed: **Aug. 7, 2017**

(51) **LOC (13) Cl.** **12-16**

(52) **U.S. Cl.**
USPC **D12/162**

(58) **Field of Classification Search**
USPC D12/159, 160, 161, 162, 203, 223, 400
CPC . B60D 1/06; B60D 1/60; B60D 1/605; B60D 1/485; B25B 13/48
See application file for complete search history.

(56) **References Cited**

U.S. PATENT DOCUMENTS

D273,778 S *	5/1984	Ruhland	D12/162
D376,339 S *	12/1996	Arakelian	D12/162
5,681,053 A *	10/1997	Misukanis	B60D 1/60 280/507
5,961,140 A *	10/1999	Huskey	B60D 1/60 150/166
6,155,590 A *	12/2000	Herrera	B25B 13/48 280/504

6,412,806 B1 *	7/2002	Peacock	B60D 1/60 150/166
D466,844 S *	12/2002	Billings	D12/162
6,938,912 B1 *	9/2005	Norton	B60D 1/06 280/507
D519,065 S *	4/2006	Tambornino	D12/162
7,677,589 B2 *	3/2010	Prine	B60D 1/60 280/507
D654,009 S *	2/2012	Arakelian	D12/400
8,172,249 B2 *	5/2012	Trubody	B60D 1/605 280/507
2004/0240934 A1 *	12/2004	Makos	B60D 1/485 403/322.3

* cited by examiner

Primary Examiner — Susan E Krakower

Assistant Examiner — Jerry Shiuan-Hua Hsu

(74) *Attorney, Agent, or Firm* — Bruce A. Lev

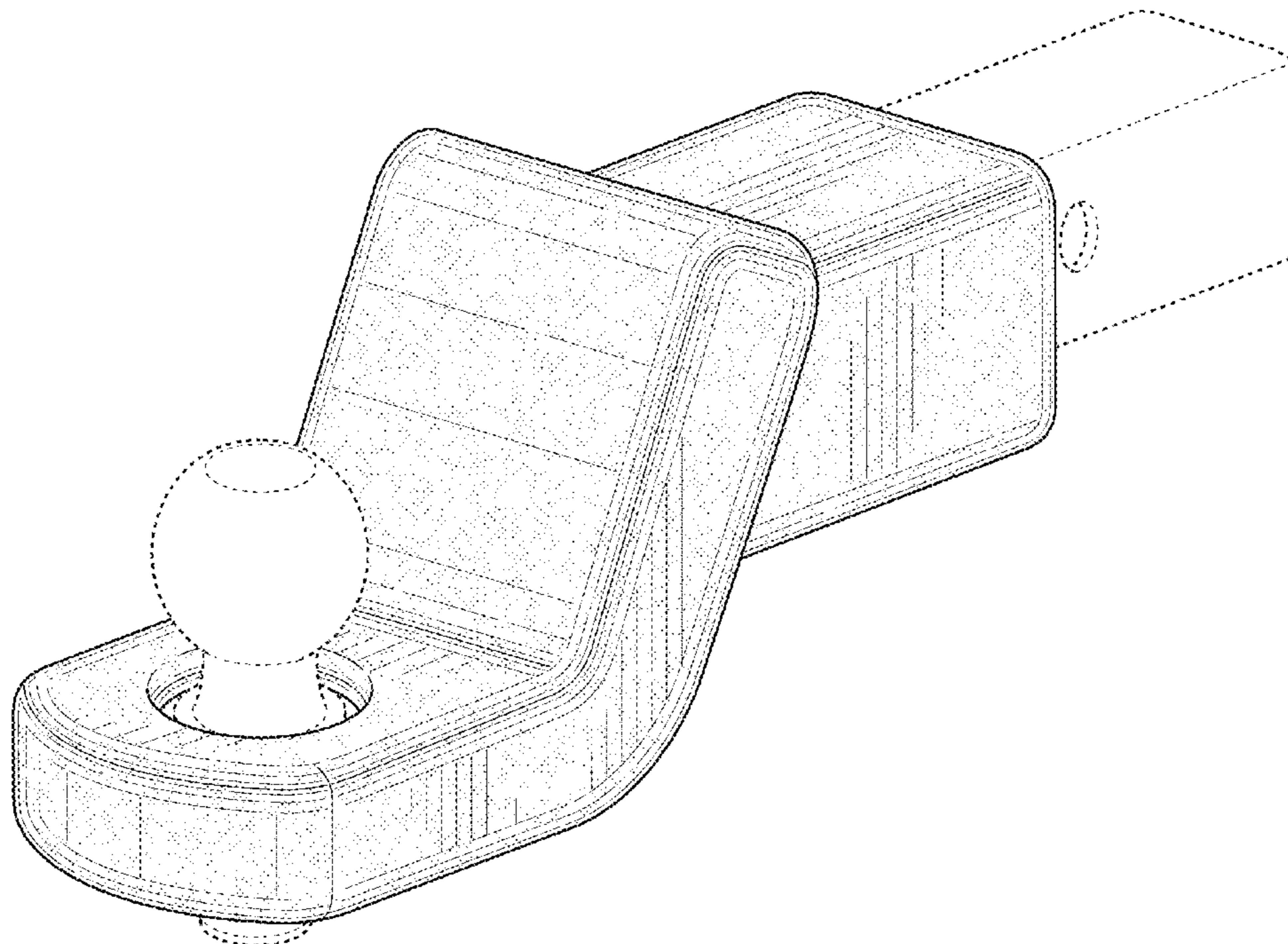
(57) **CLAIM**

The ornamental design for a protective sleeve for a trailer hitch, as shown and described.

DESCRIPTION

FIG. 1 is a perspective view of the protective sleeve for a trailer hitch showing my new design; FIG. 2 is a top plan view thereof; FIG. 3 is a bottom plan view thereof; FIG. 4 is a right side elevation view thereof; FIG. 5 is a left side cutaway view thereof; FIG. 6 is a left side elevation view thereof; FIG. 7 is a front elevation view thereof; and, FIG. 8 is a rear elevation view thereof. Broken lines are included for depicting environmental subject matter and form no part of the claimed design.

1 Claim, 7 Drawing Sheets



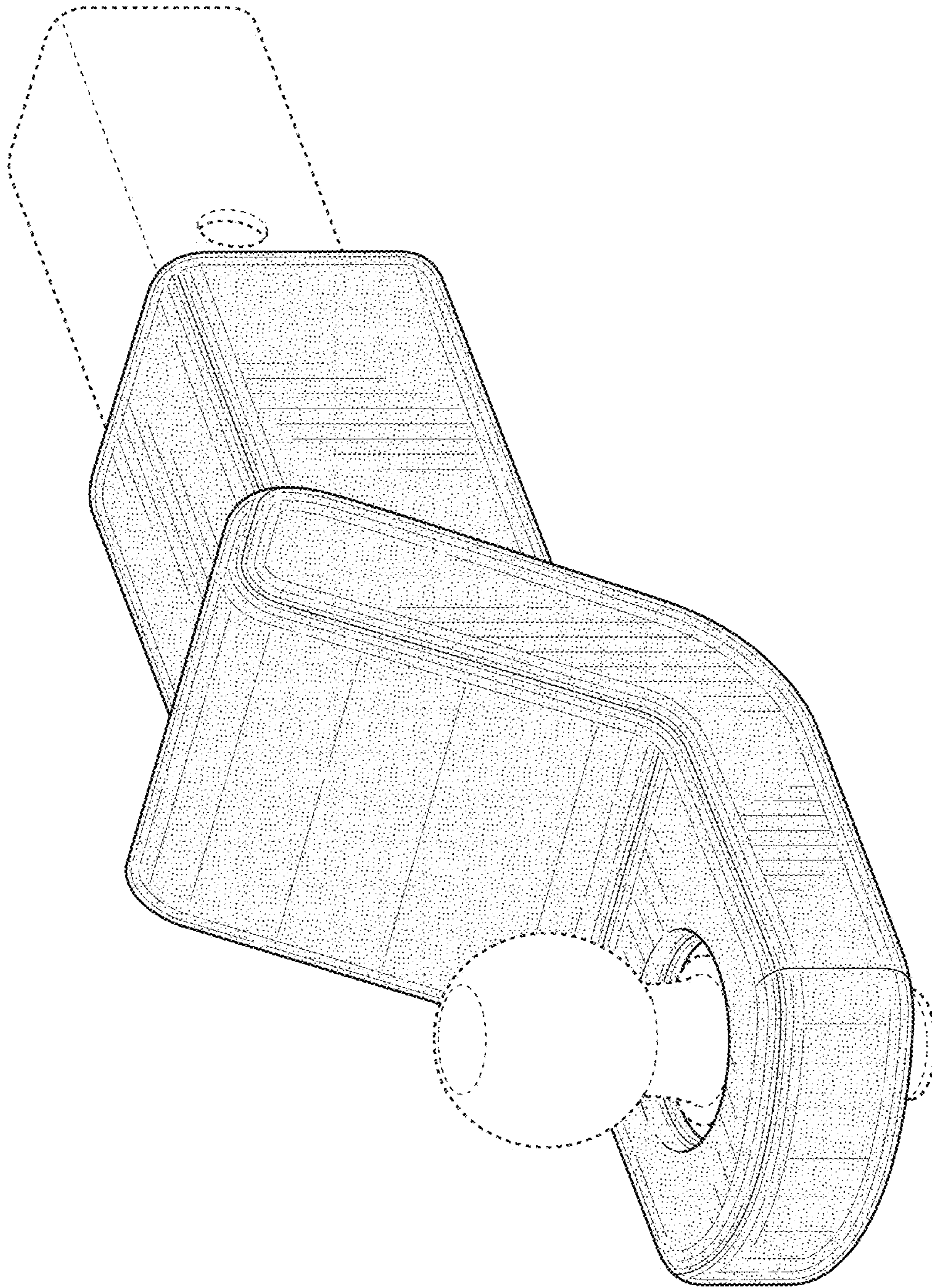


FIG. 1

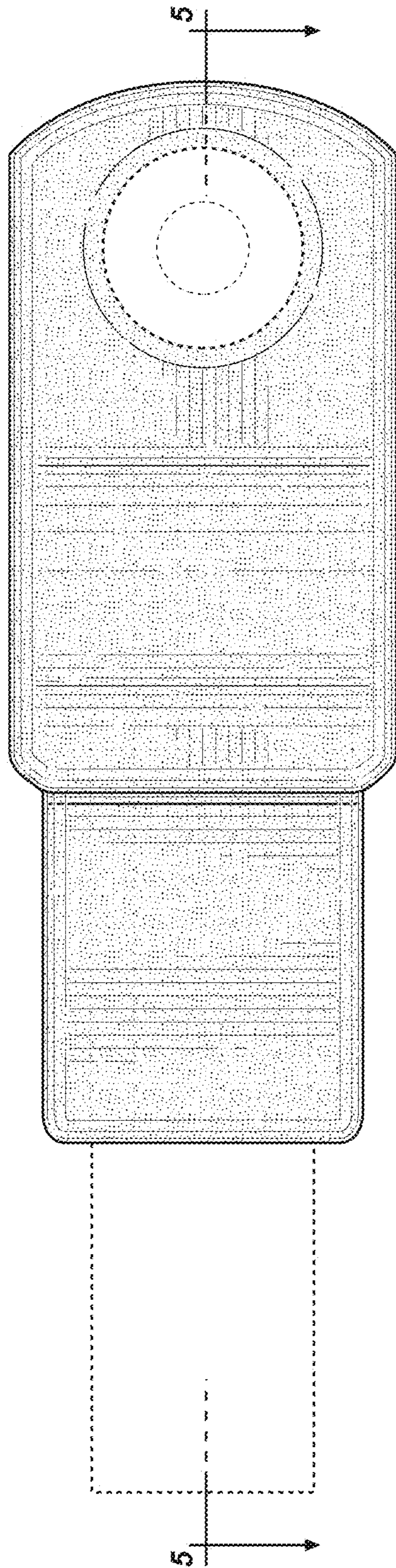


FIG. 2

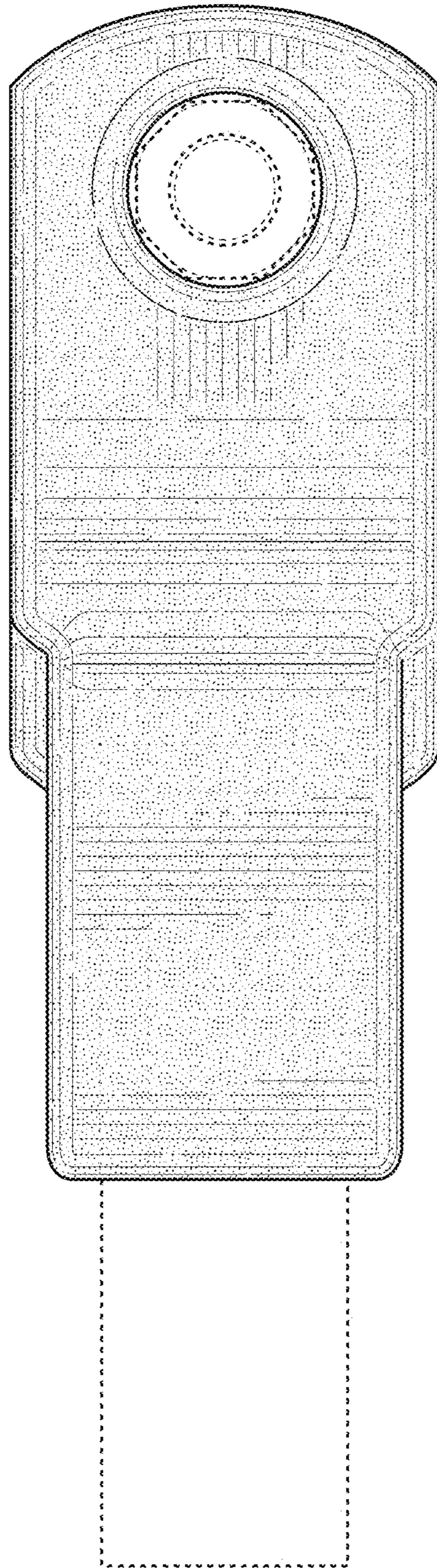


FIG. 3

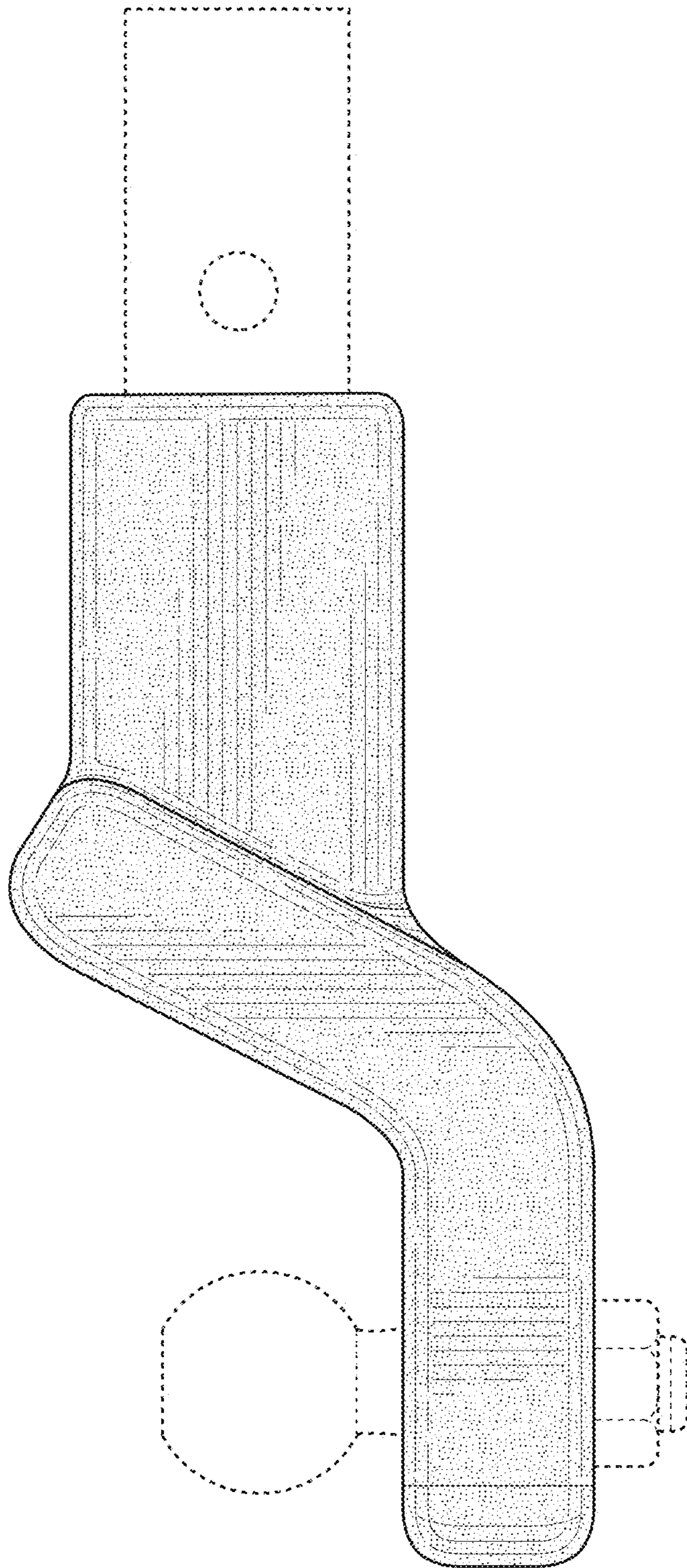


FIG. 4

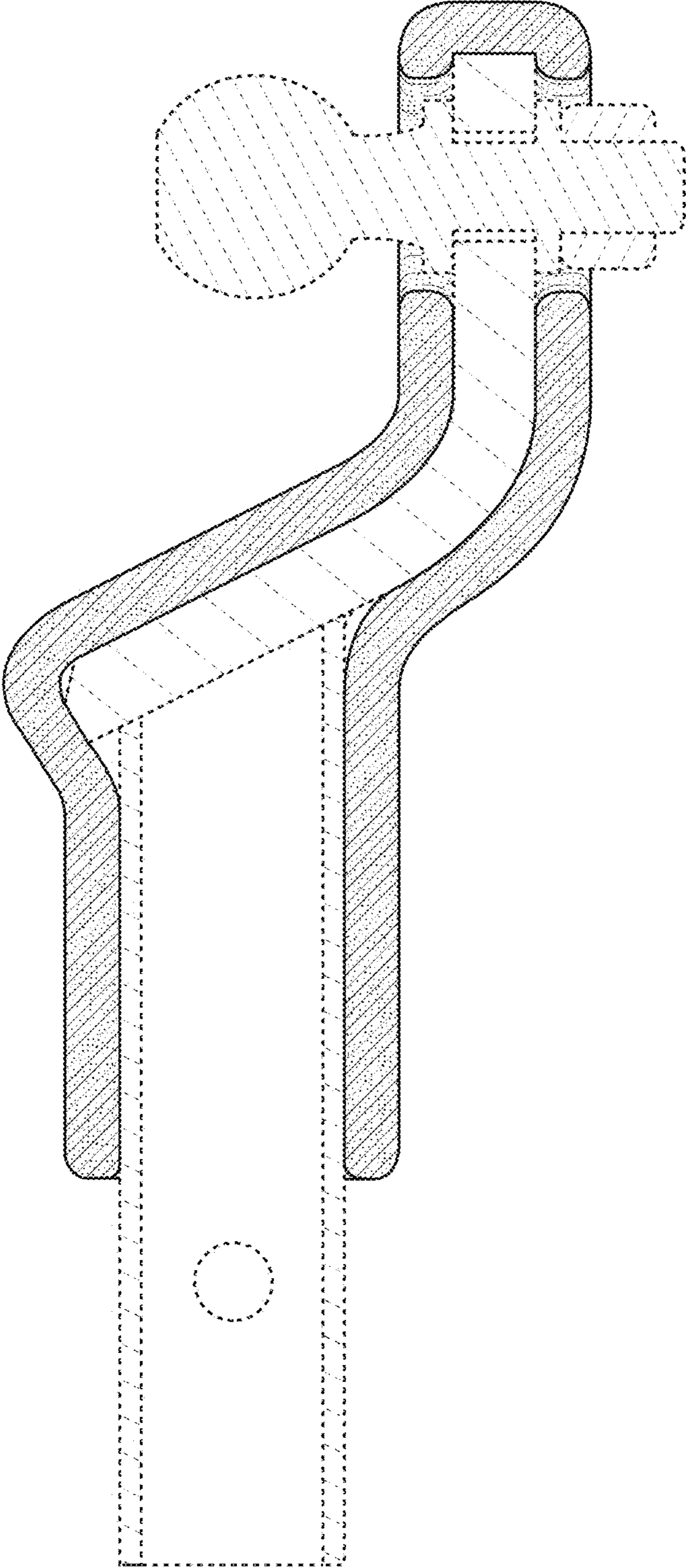


FIG. 5

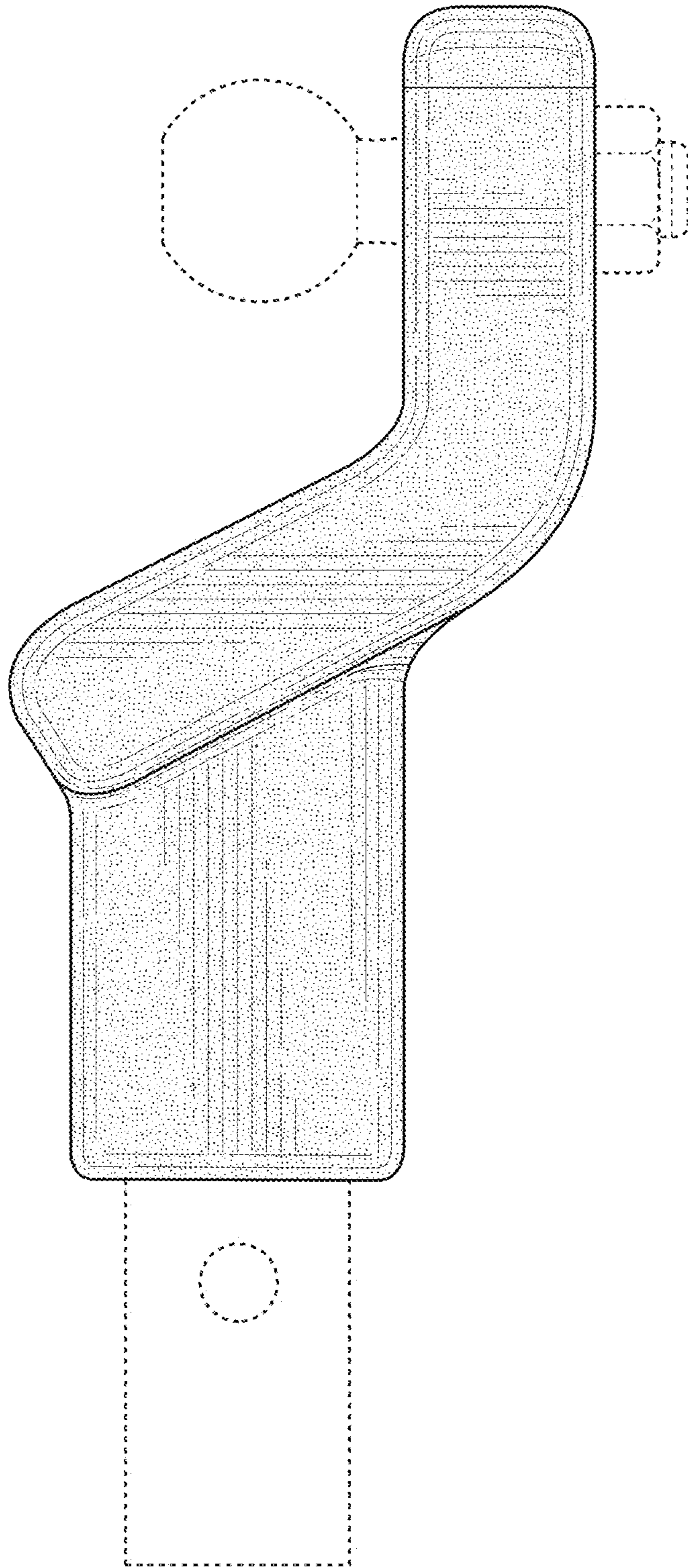


FIG. 6

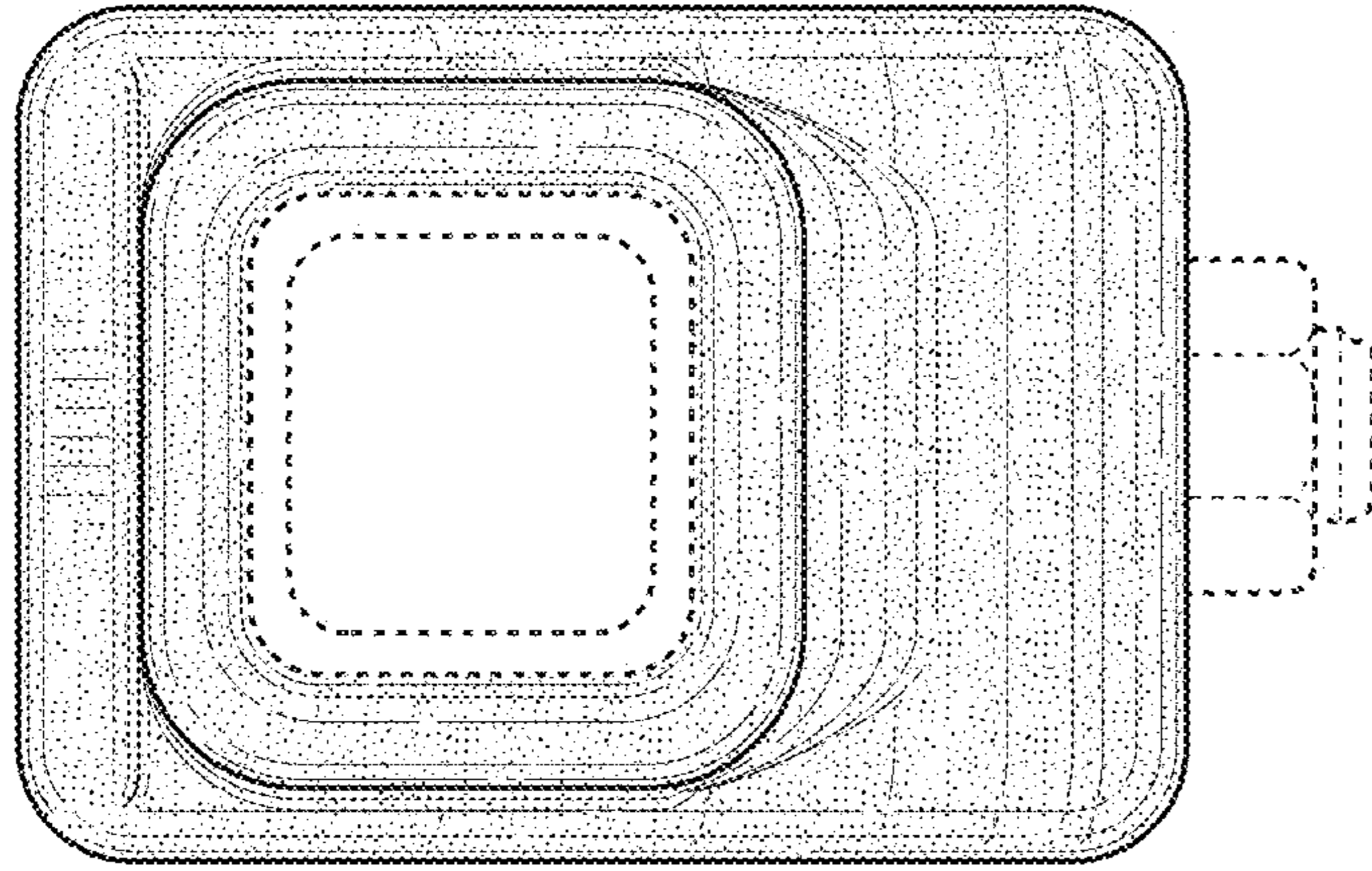


FIG. 8

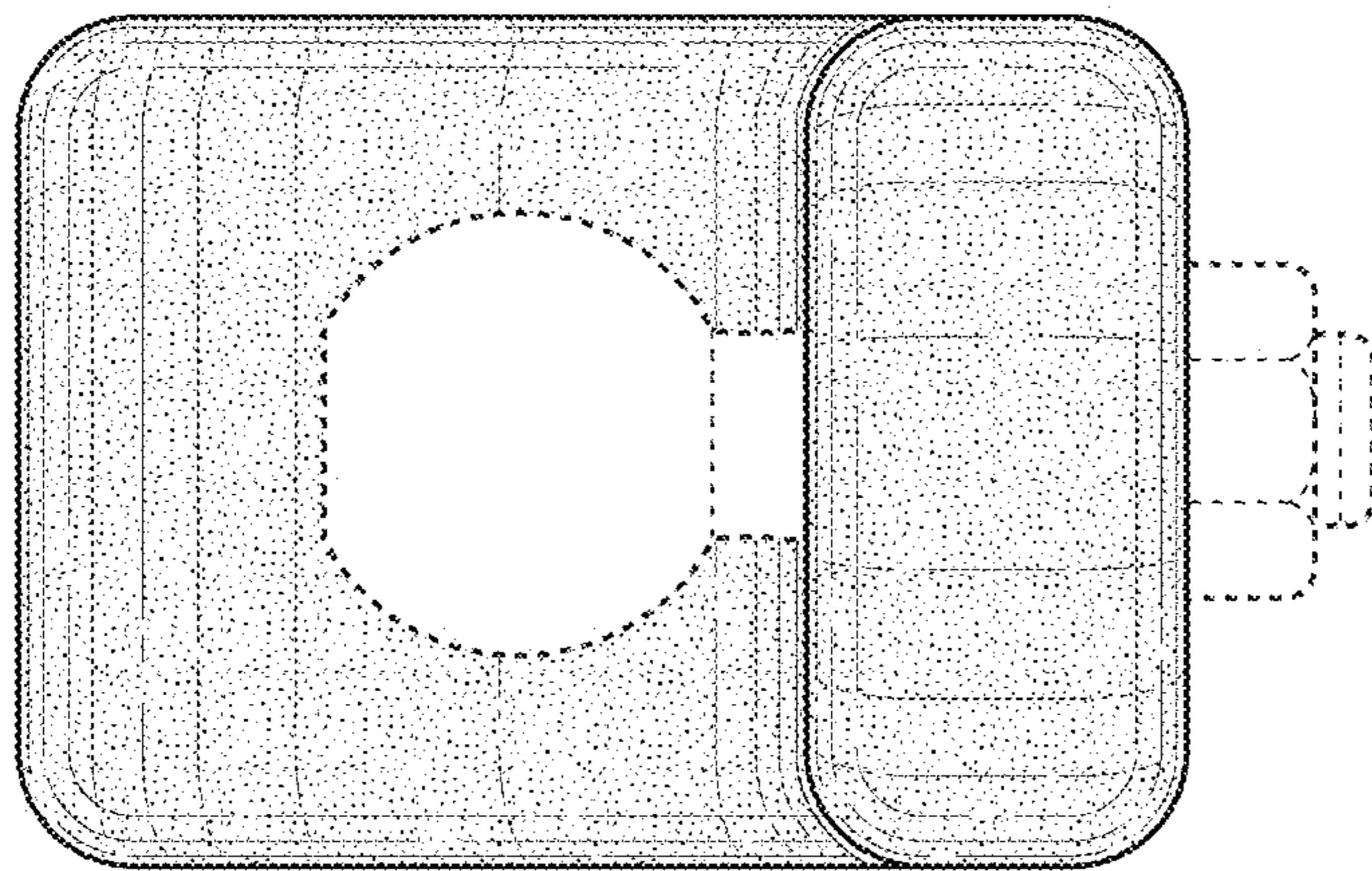


FIG. 7