



US00D918786S

(12) **United States Design Patent**  
**Zhang**

(10) **Patent No.:** **US D918,786 S**

(45) **Date of Patent:** **\*\* May 11, 2021**

(54) **BABY WALKER**  
(71) Applicant: **Jiannong Zhang**, Shantou (CN)  
(72) Inventor: **Jiannong Zhang**, Shantou (CN)  
(\*\*) Term: **15 Years**

9,033,351 B2 \* 5/2015 Sejnowski ..... A47D 13/043  
280/87.051  
D847,035 S 4/2019 Lu  
D895,491 S \* 9/2020 Effler ..... D12/130  
2004/0150180 A1 \* 8/2004 Fish, Jr. .... B60B 37/10  
280/87.051

\* cited by examiner

(21) Appl. No.: **29/760,326**

*Primary Examiner* — Charles D Hanson

(22) Filed: **Dec. 1, 2020**

(51) **LOC (13) Cl.** ..... **12-12**

(52) **U.S. Cl.**  
USPC ..... **D12/130**

(58) **Field of Classification Search**  
USPC ..... D12/130; D21/475  
CPC ..... A61H 3/00; A61H 3/04; A61H  
2003/001–007; A61H 2003/043; A61H  
2003/046

See application file for complete search history.

(57) **CLAIM**

The ornamental design for a baby walker, as shown and described.

**DESCRIPTION**

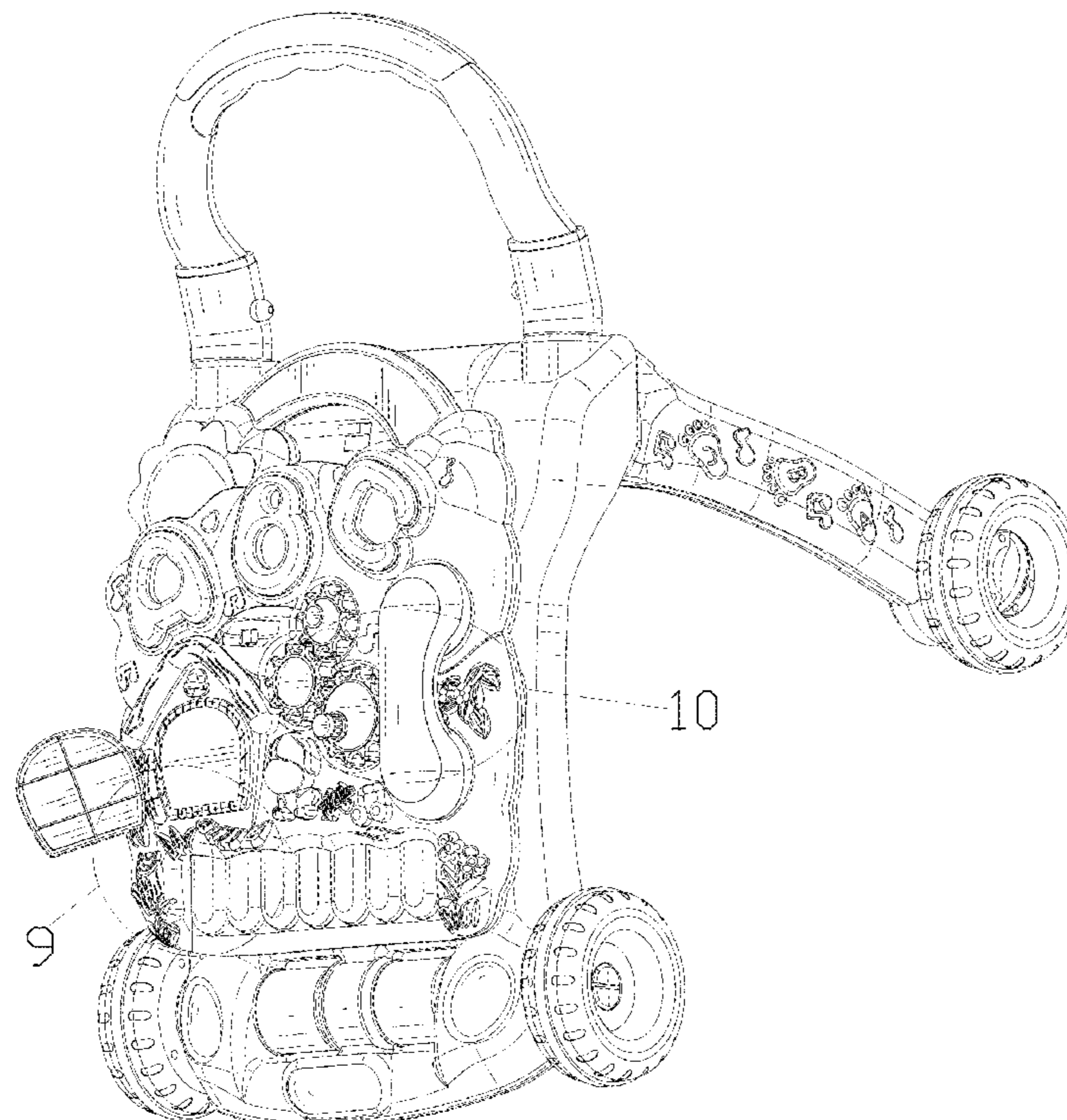
FIG. 1 is a perspective view of a baby walker showing my new design;  
FIG. 2 is another perspective view thereof;  
FIG. 3 is a front elevational view thereof;  
FIG. 4 is a rear elevational view thereof;  
FIG. 5 is a left side elevational view thereof;  
FIG. 6 is a right side elevational view thereof;  
FIG. 7 is a top plan view thereof;  
FIG. 8 is a bottom plan view thereof;  
FIG. 9 is an enlarged view of portion 9 shown in FIG. 1;  
FIG. 10 is an enlarged view of portion 10 shown in FIG. 1;  
FIG. 11 is an enlarged view of portion 11 shown in FIG. 3;  
and,  
FIG. 12 is an enlarged view of portion 12 shown in FIG. 3.  
The broken lines in the drawings depict portions of the baby walker that form no part of the claimed design.

(56) **References Cited**

**U.S. PATENT DOCUMENTS**

D321,216 S \* 10/1991 Pape ..... D21/475  
5,362,272 A \* 11/1994 Chow ..... A63H 33/00  
280/47.38  
D353,566 S \* 12/1994 Chow ..... D12/130  
D358,791 S \* 5/1995 Cacciola ..... D12/130  
5,788,253 A \* 8/1998 Thomson ..... A47D 13/00  
280/87.041  
D443,233 S \* 6/2001 Gaudet ..... D12/130  
D472,853 S \* 4/2003 Lai-shan ..... D12/130  
7,032,980 B2 \* 4/2006 Herbert ..... A47D 13/04  
301/5.308  
D589,851 S 4/2009 Jane

**1 Claim, 12 Drawing Sheets**



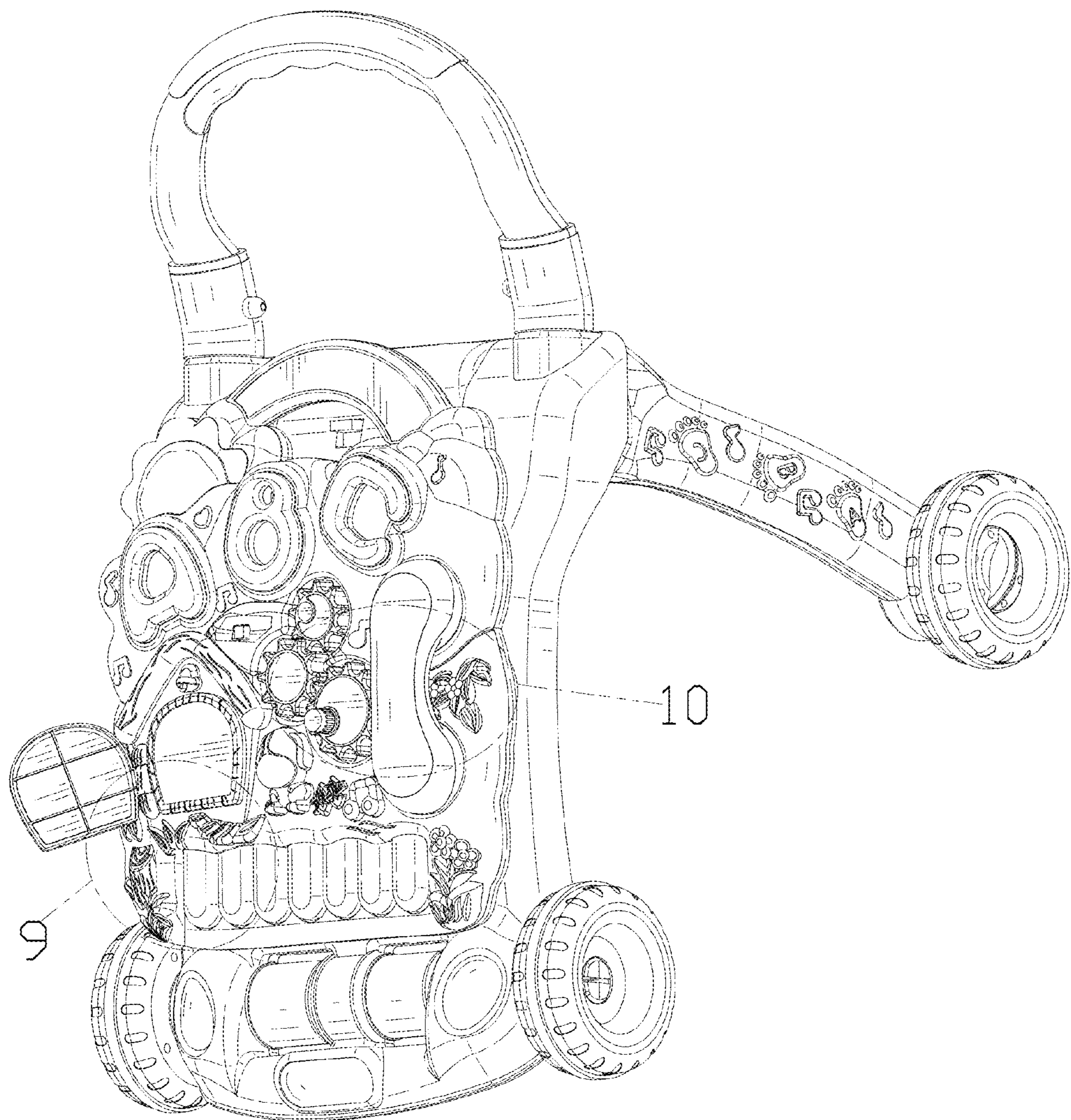


FIG. 1



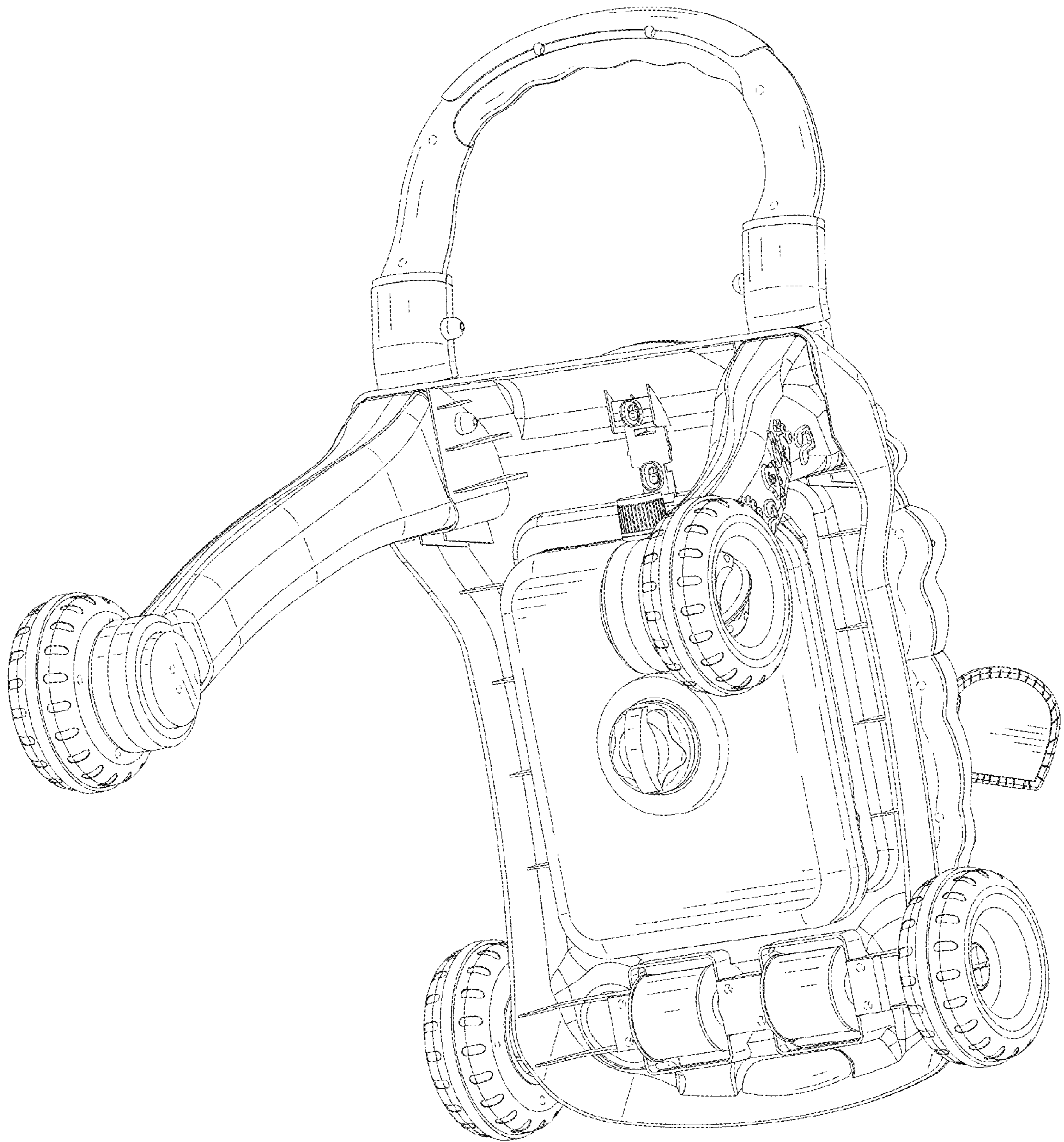


FIG. 2

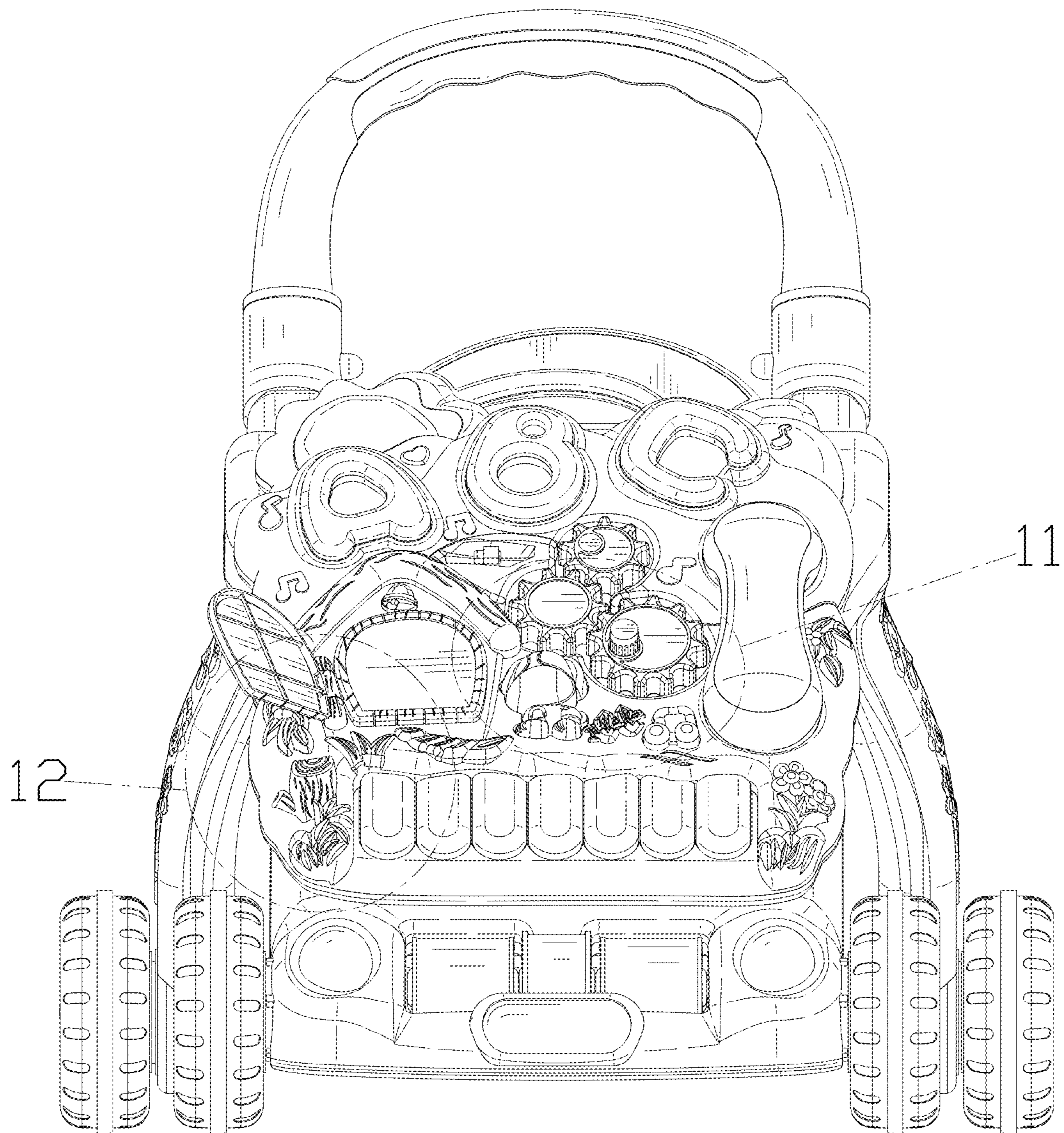


FIG. 3



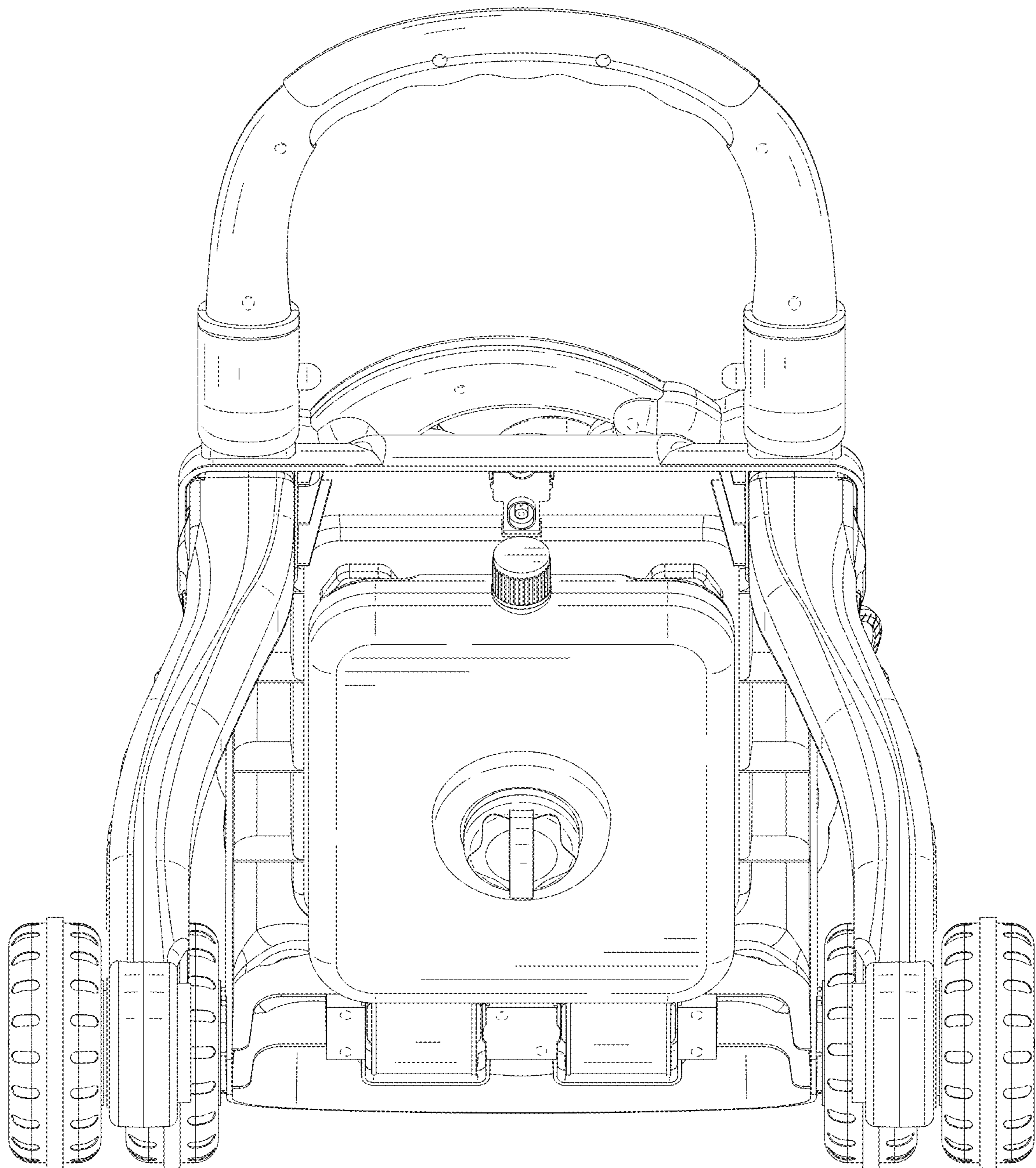


FIG. 4

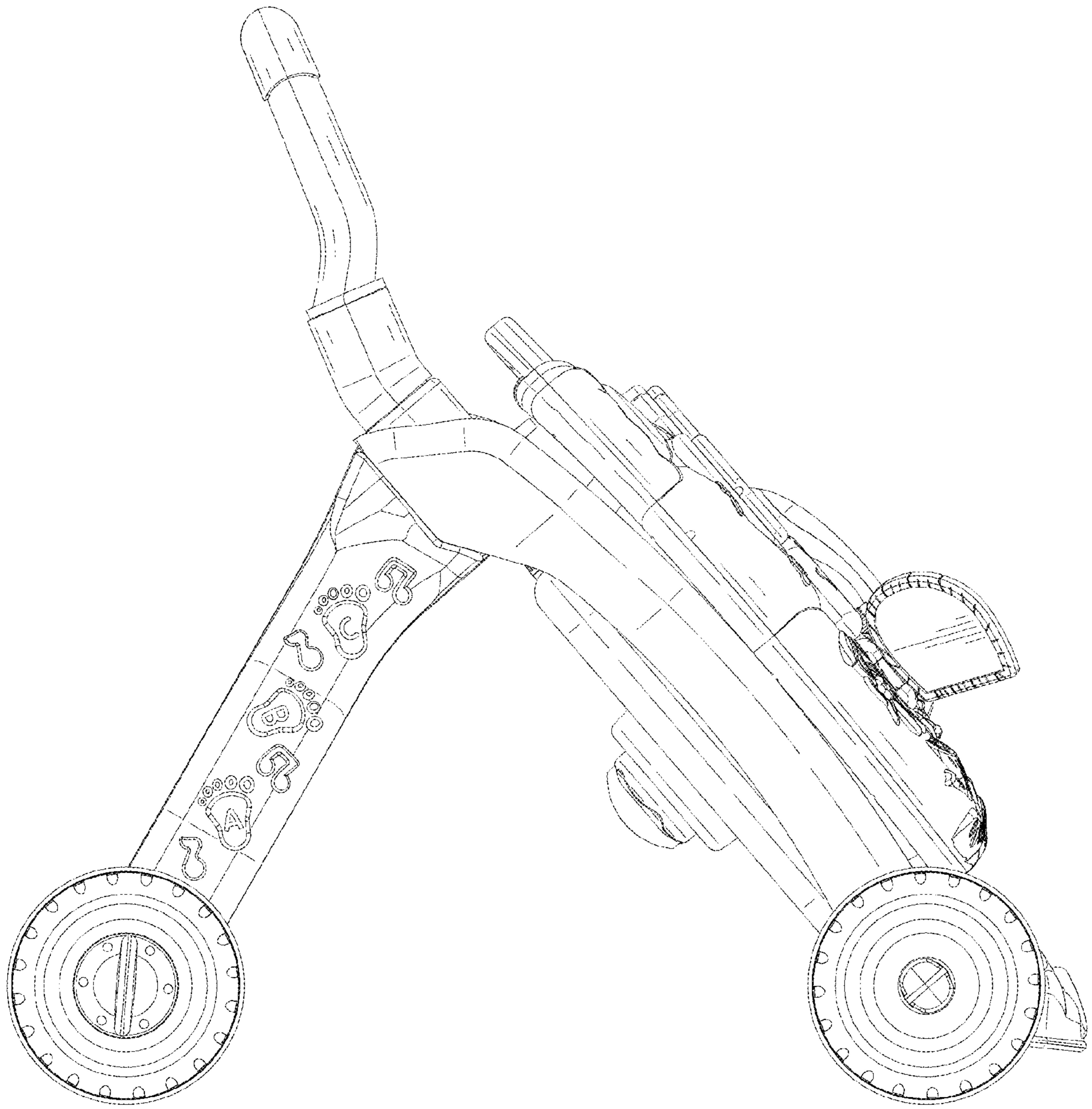


FIG. 5

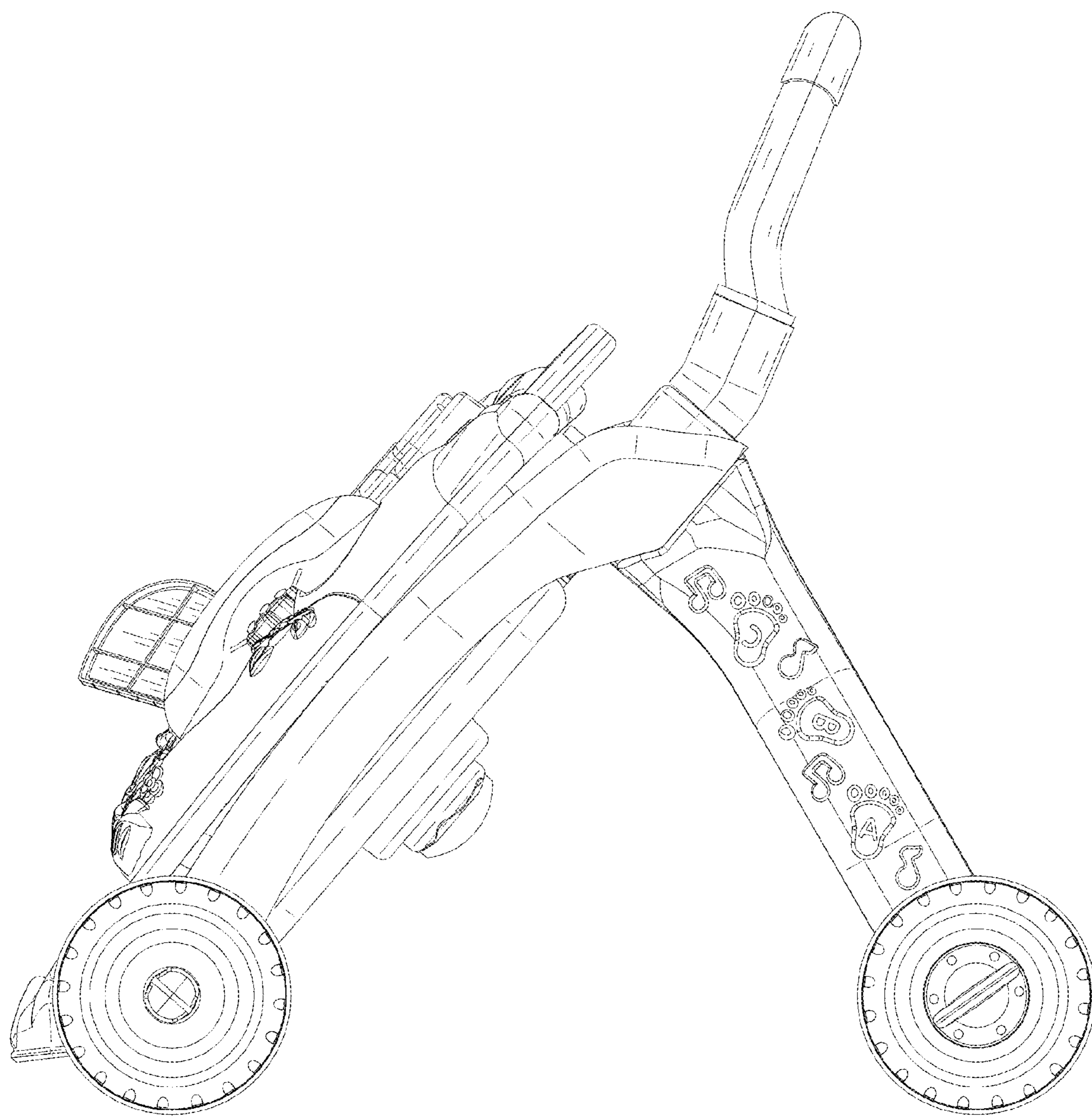


FIG. 6



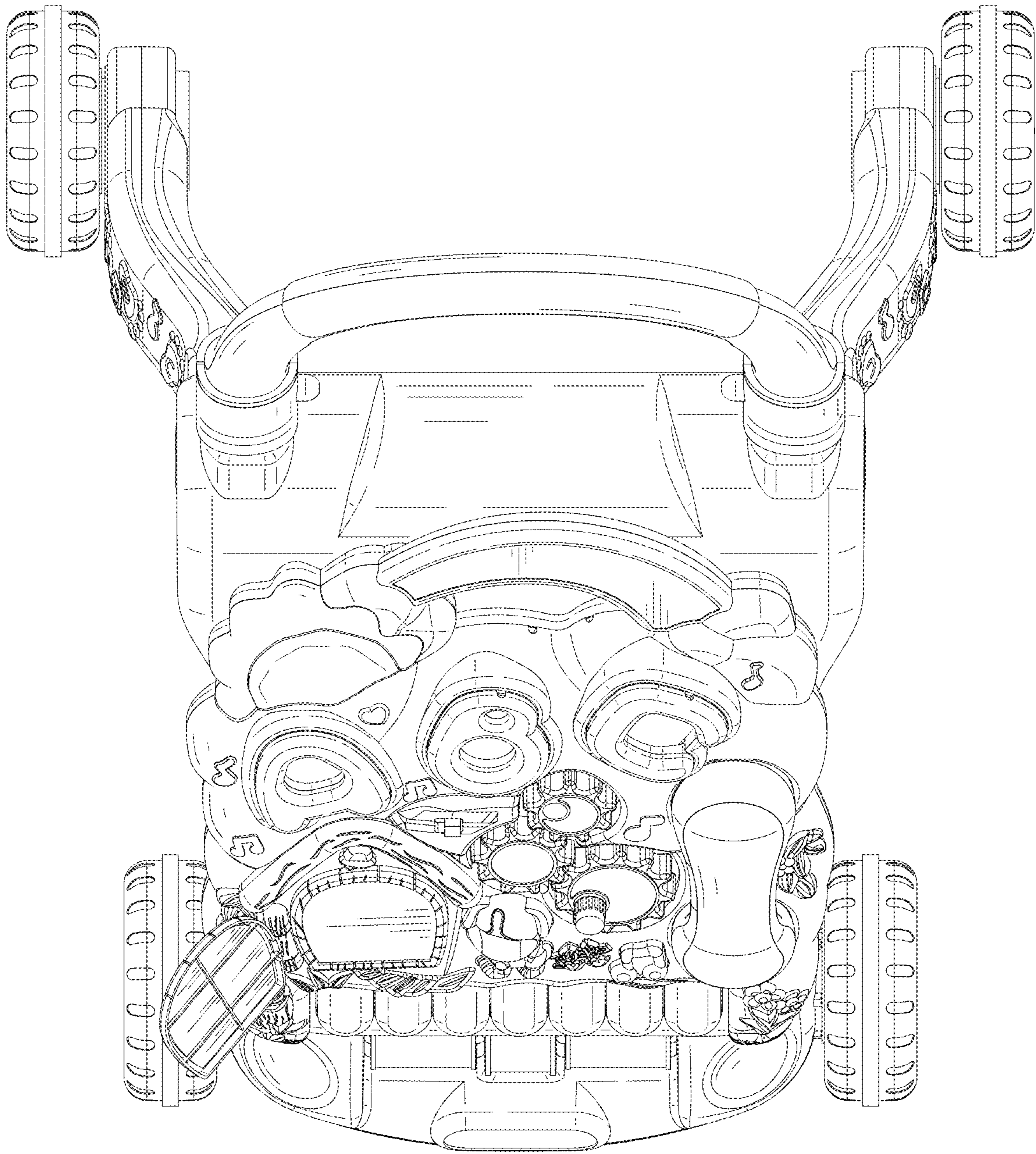


FIG. 7



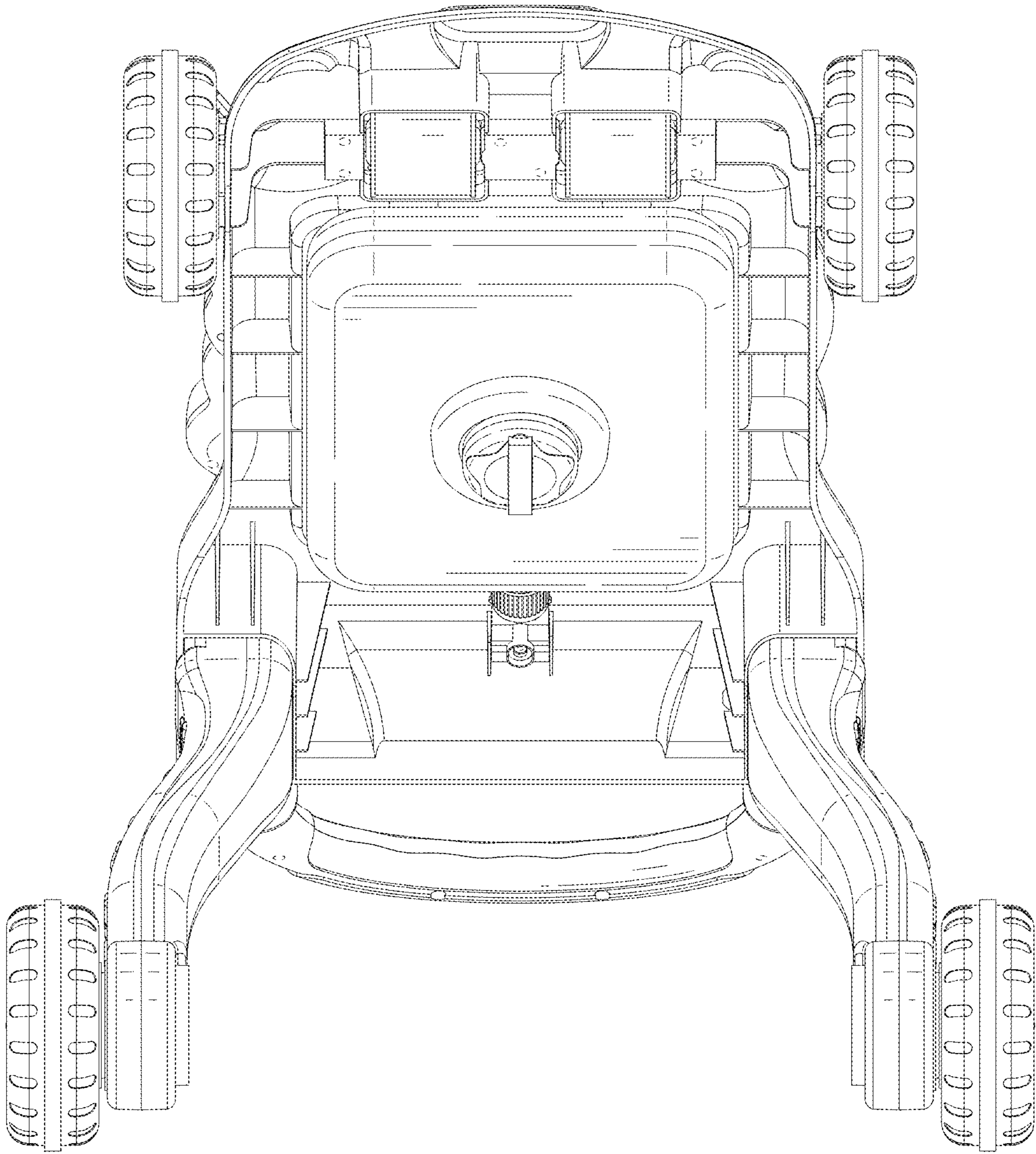


FIG. 8

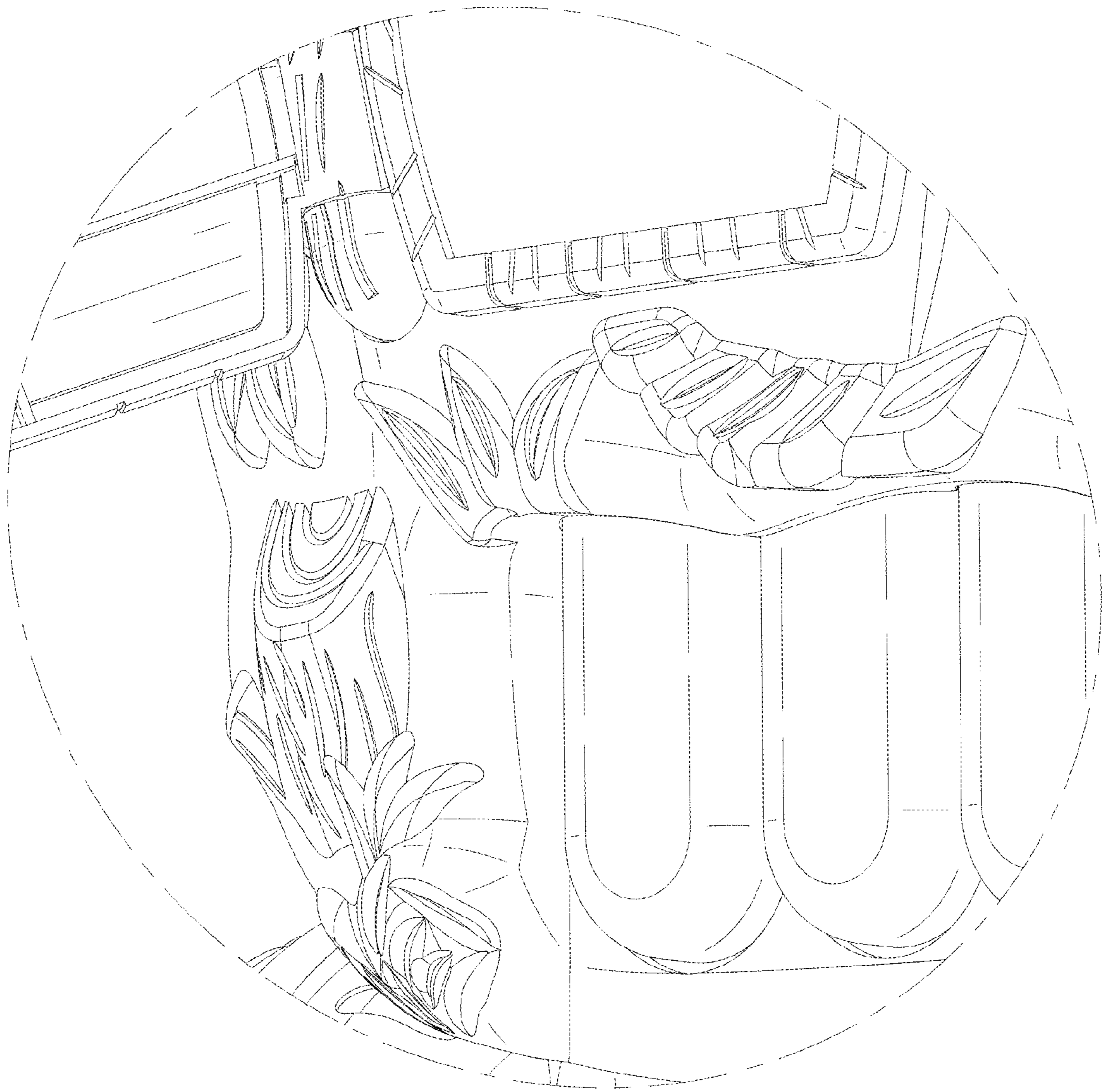


FIG. 9



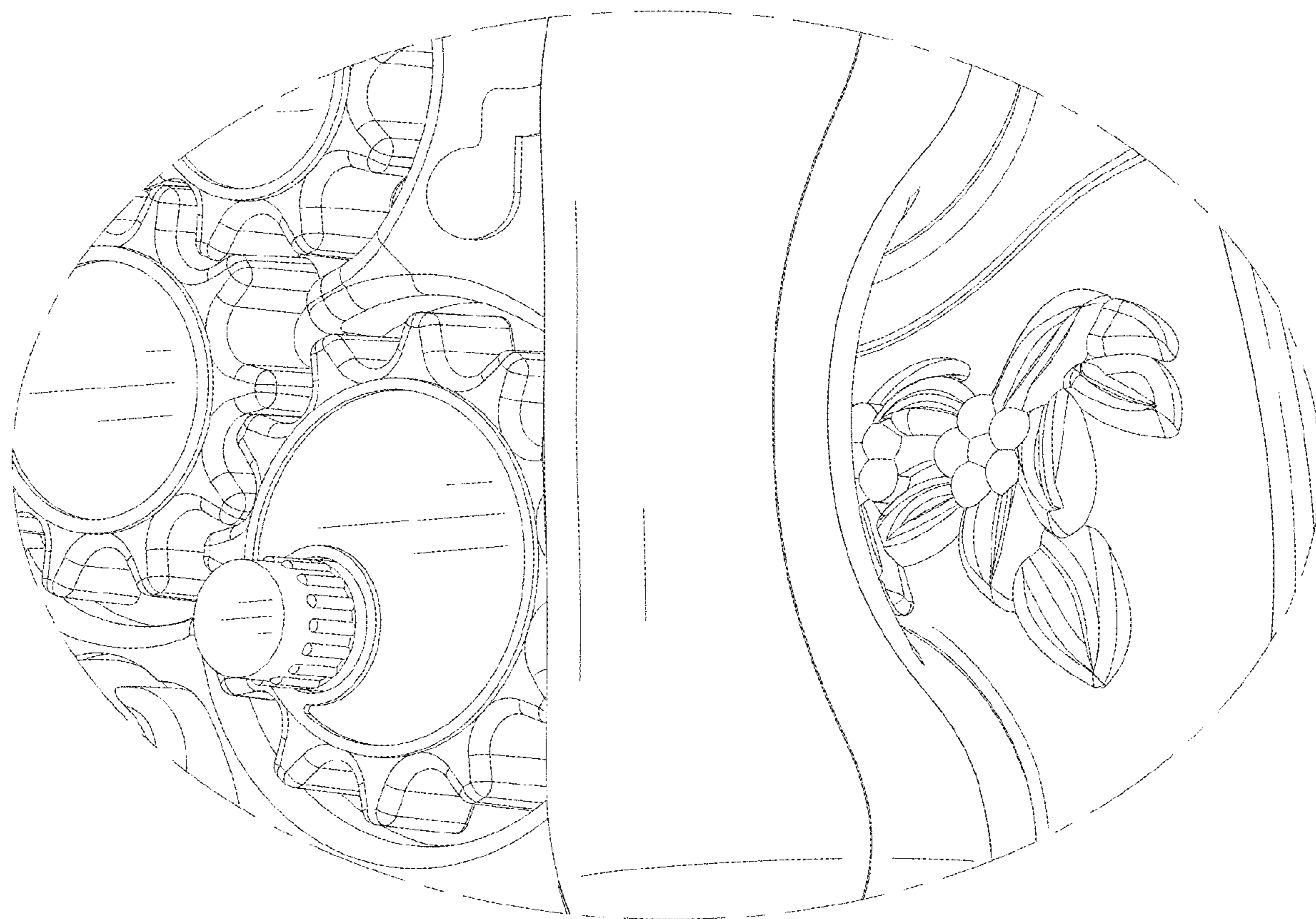


FIG. 10



FIG. 11



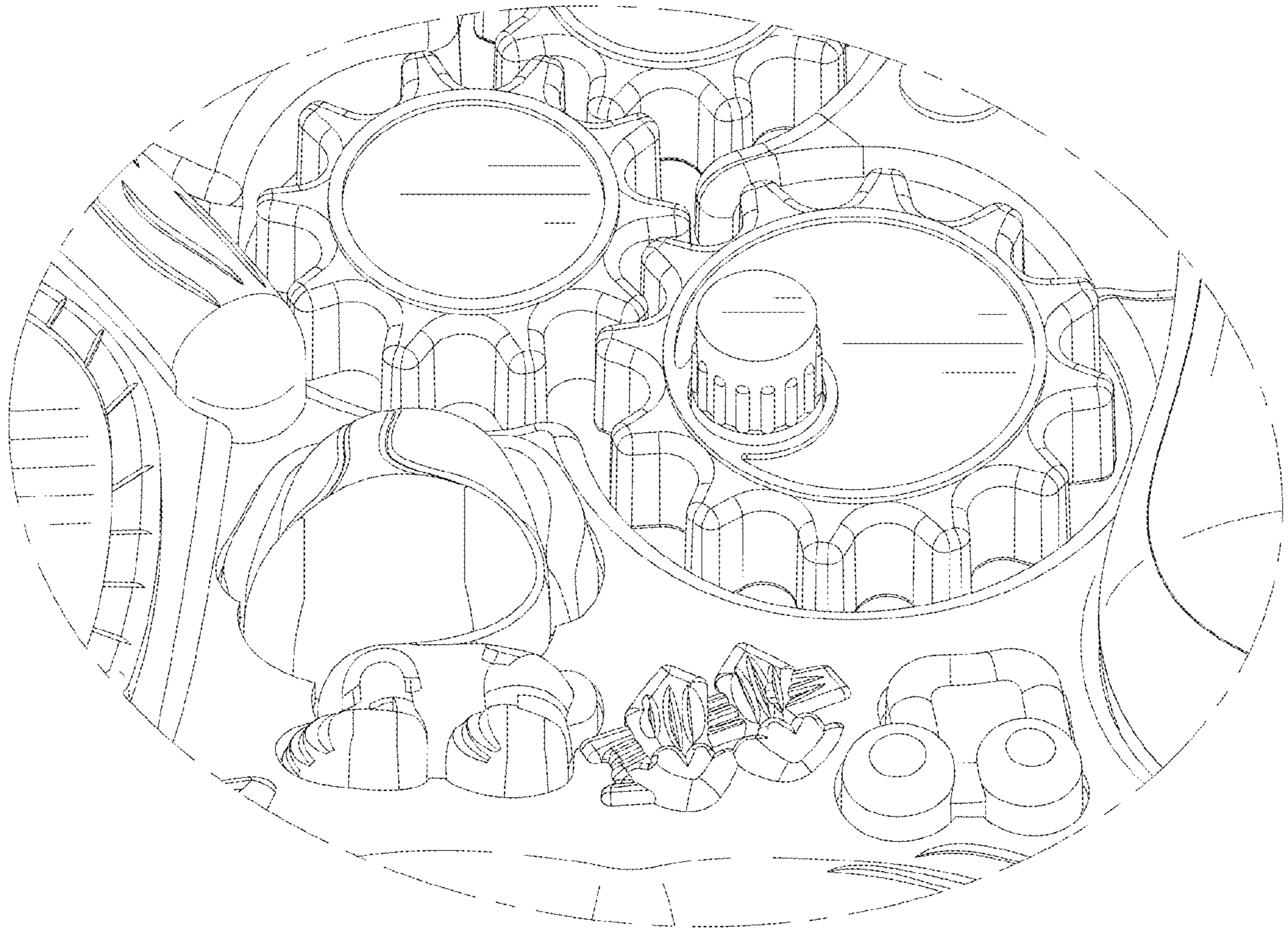


FIG. 12