



US00D918785S

(12) **United States Design Patent**
Kouchi et al.

(10) **Patent No.:** **US D918,785 S**

(45) **Date of Patent:** **** May 11, 2021**

- (54) **FAIRING FOR A MOTORCYCLE**
- (71) Applicant: **Kawasaki Jukogyo Kabushiki Kaisha**,
Kobe (JP)
- (72) Inventors: **Kaoru Kouchi**, Kakogawa (JP);
Gregory Yujiro Tada, South Pasadena,
CA (US)
- (73) Assignee: **KAWASAKI JUKOGYO**
KABUSHIKI KAISHA
- (**) Term: **15 Years**
- (21) Appl. No.: **29/700,724**
- (22) Filed: **Aug. 5, 2019**
- (51) **LOC (13) Cl.** **12-11**
- (52) **U.S. Cl.**
USPC **D12/126**
- (58) **Field of Classification Search**
USPC D12/110, 114, 126, 182, 184, 186
CPC ... B62J 17/00; B62J 17/02; B62J 17/04; B62J
23/00; B62K 11/00; B62K 11/02; B62K
11/04
See application file for complete search history.

7,032,948	B2 *	4/2006	Khan	B62J 17/02	296/136.07
D534,108	S *	12/2006	Katagiri	B62J 17/02	D12/182
7,404,585	B2 *	7/2008	Bugni	B62J 17/02	296/181.5
D575,209	S *	8/2008	Sawabe	D12/182	
D674,323	S *	1/2013	Tokumura	D12/126	
8,517,449	B2 *	8/2013	Okubo	B62J 17/00	296/78.1
D690,626	S *	10/2013	Katagiri	D12/126	
D694,157	S *	11/2013	Katagiri	D12/126	
8,628,136	B2 *	1/2014	Yasuhara	B62J 6/05	296/78.1
D702,166	S *	4/2014	Deluy	D12/186	
D776,017	S *	1/2017	Takigawa	D12/126	

(Continued)

Primary Examiner — Darlington Ly

(57) **CLAIM**

The ornamental design for a fairing for a motorcycle, as shown and described.

DESCRIPTION

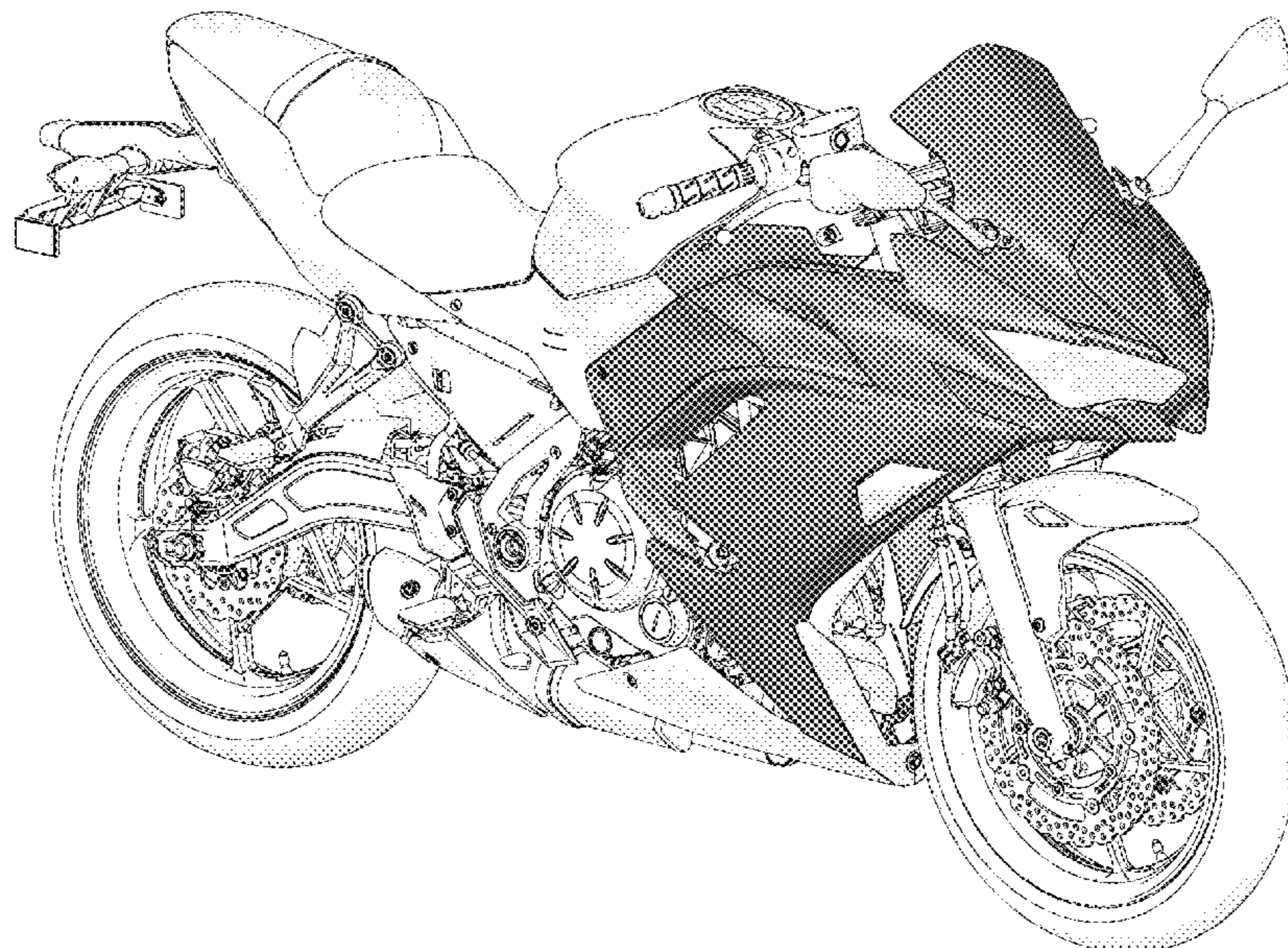
FIG. 1 is a front elevational view of a fairing for a motorcycle showing our new design;
 FIG. 2 is a rear elevational view thereof;
 FIG. 3 is a left side elevational view thereof;
 FIG. 4 is a right side elevational view thereof;
 FIG. 5 is a top plan view thereof;
 FIG. 6 is a bottom plan view thereof;
 FIG. 7 is a front and left side perspective view thereof; and,
 FIG. 8 is a rear and right side perspective view thereof.
 The dark-gray contrasted showing of the fairing for a motorcycle represents the claimed design.
 The light-gray contrasted or ghosted showing of the motorcycle portions are provided for the purpose of illustrating environmental structure and forms no part of the claimed design.

1 Claim, 8 Drawing Sheets

(56) **References Cited**

U.S. PATENT DOCUMENTS

D244,522	S *	5/1977	Vetter	D12/182
D245,904	S *	9/1977	Vetter	D12/182
D249,784	S *	10/1978	Vetter	D12/182
D257,838	S *	1/1981	Mockett	D12/182
D260,509	S *	9/1981	Guzzetta	D12/182
D261,132	S *	10/1981	Vetter	D12/182
D272,731	S *	2/1984	Firth	D12/182
D275,093	S *	8/1984	Hunt	D12/182
D284,180	S *	6/1986	Abe	D12/182
D315,708	S *	3/1991	Abe	D12/182
D503,911	S *	4/2005	Hanagan	D12/182
D515,485	S *	2/2006	Sawabe	D12/182



(56)

References Cited

U.S. PATENT DOCUMENTS

D786,141 S *	5/2017	Tachibana	D12/126
D795,750 S *	8/2017	Futamata	D12/126
D803,107 S *	11/2017	Petersson	D12/126
D826,790 S *	8/2018	Sears, Jr.	D12/126
D827,505 S *	9/2018	Tsukui	D12/126
D885,989 S *	6/2020	Shigihara	D12/126
D885,991 S *	6/2020	Shigihara	D12/126
D886,687 S *	6/2020	Yoshitomi	D12/114

* cited by examiner

Fig. 1

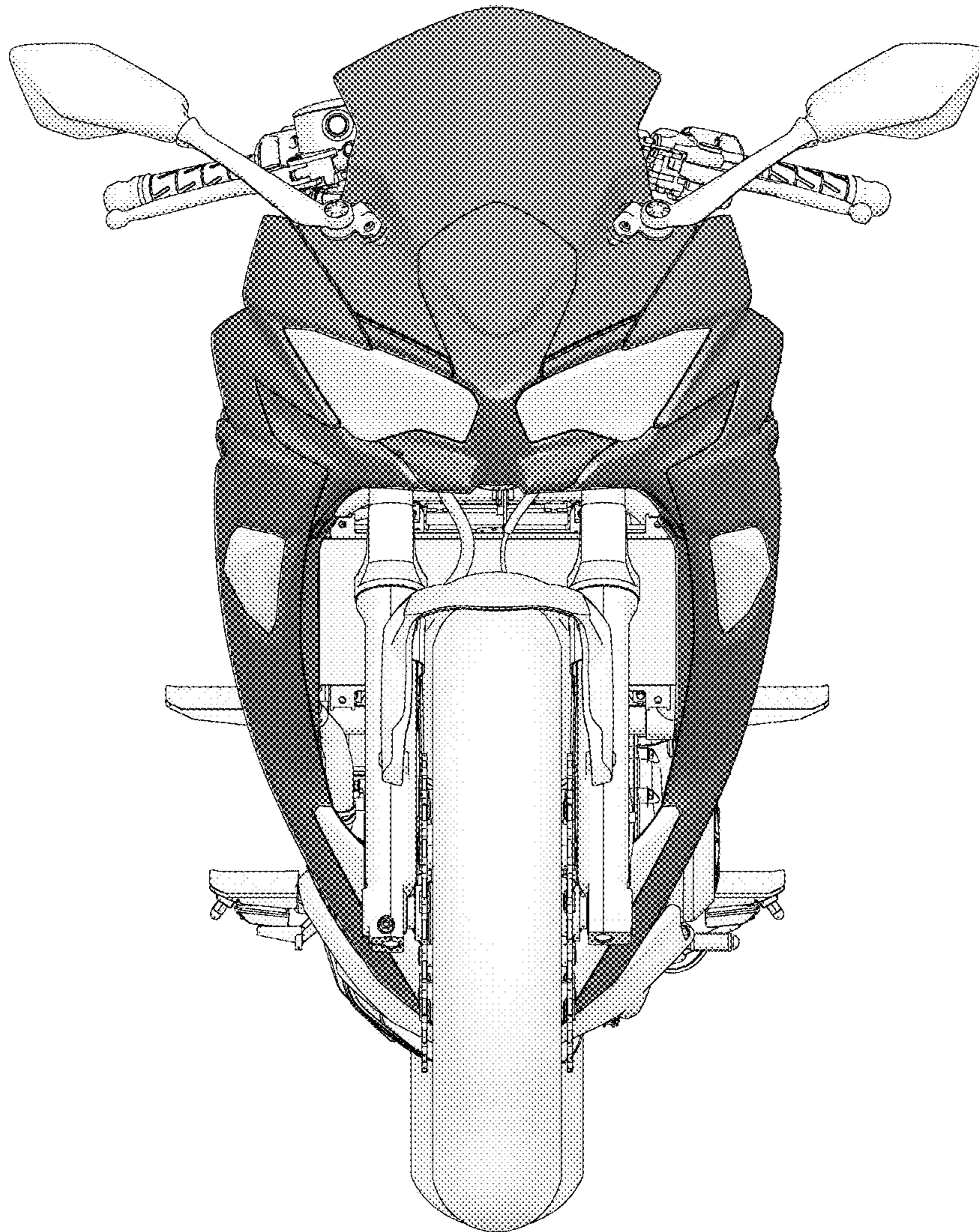
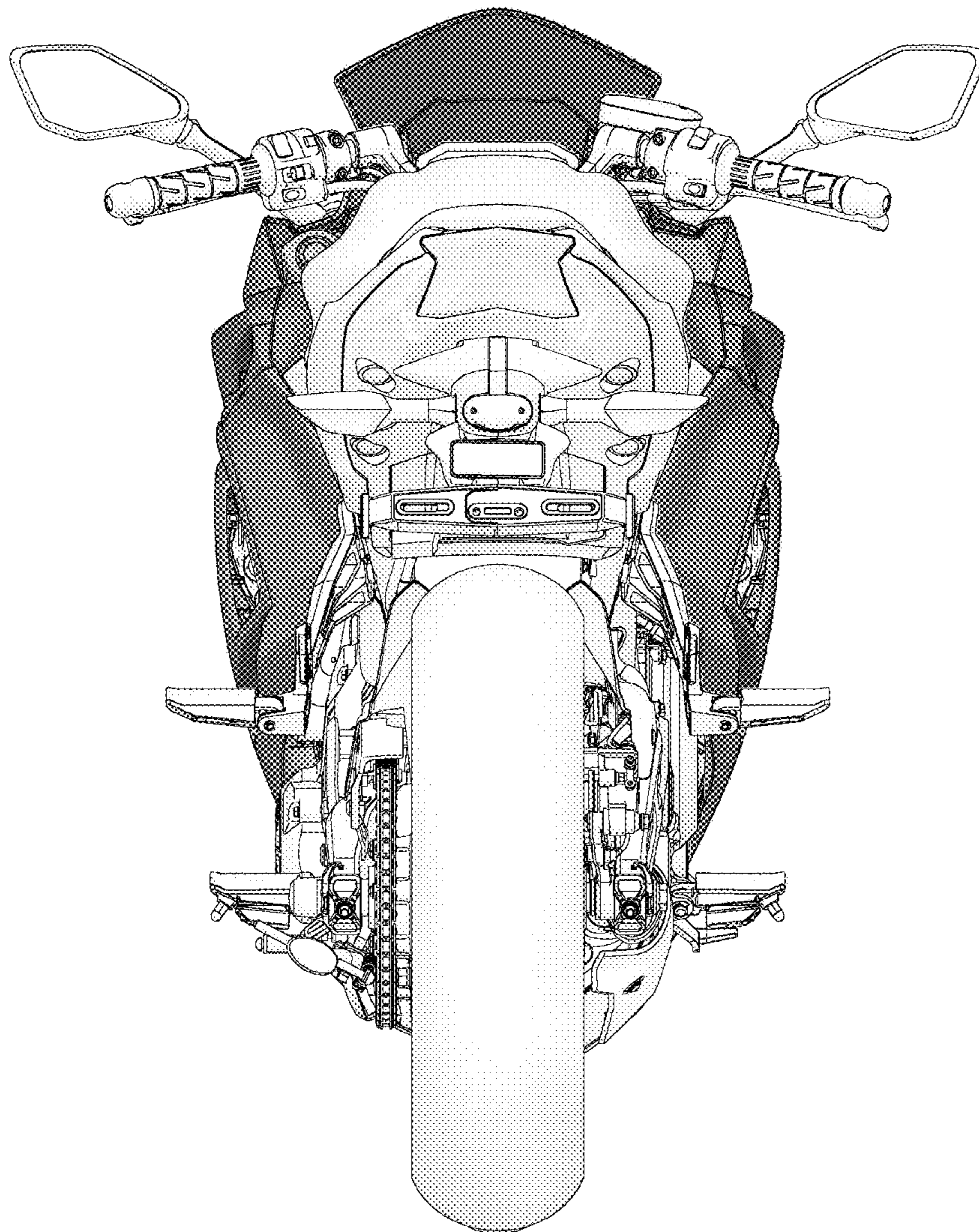


Fig. 2



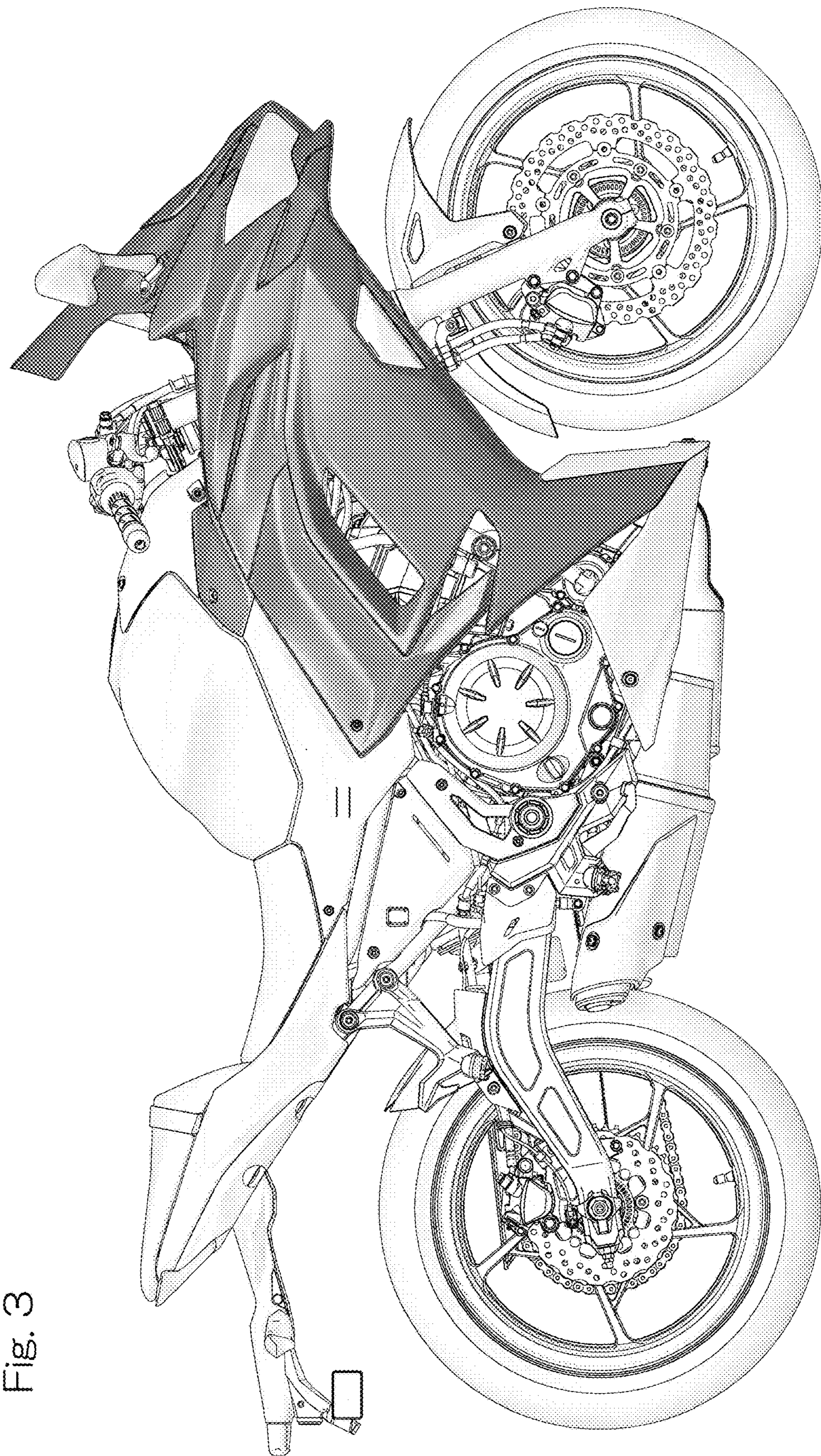


Fig. 3

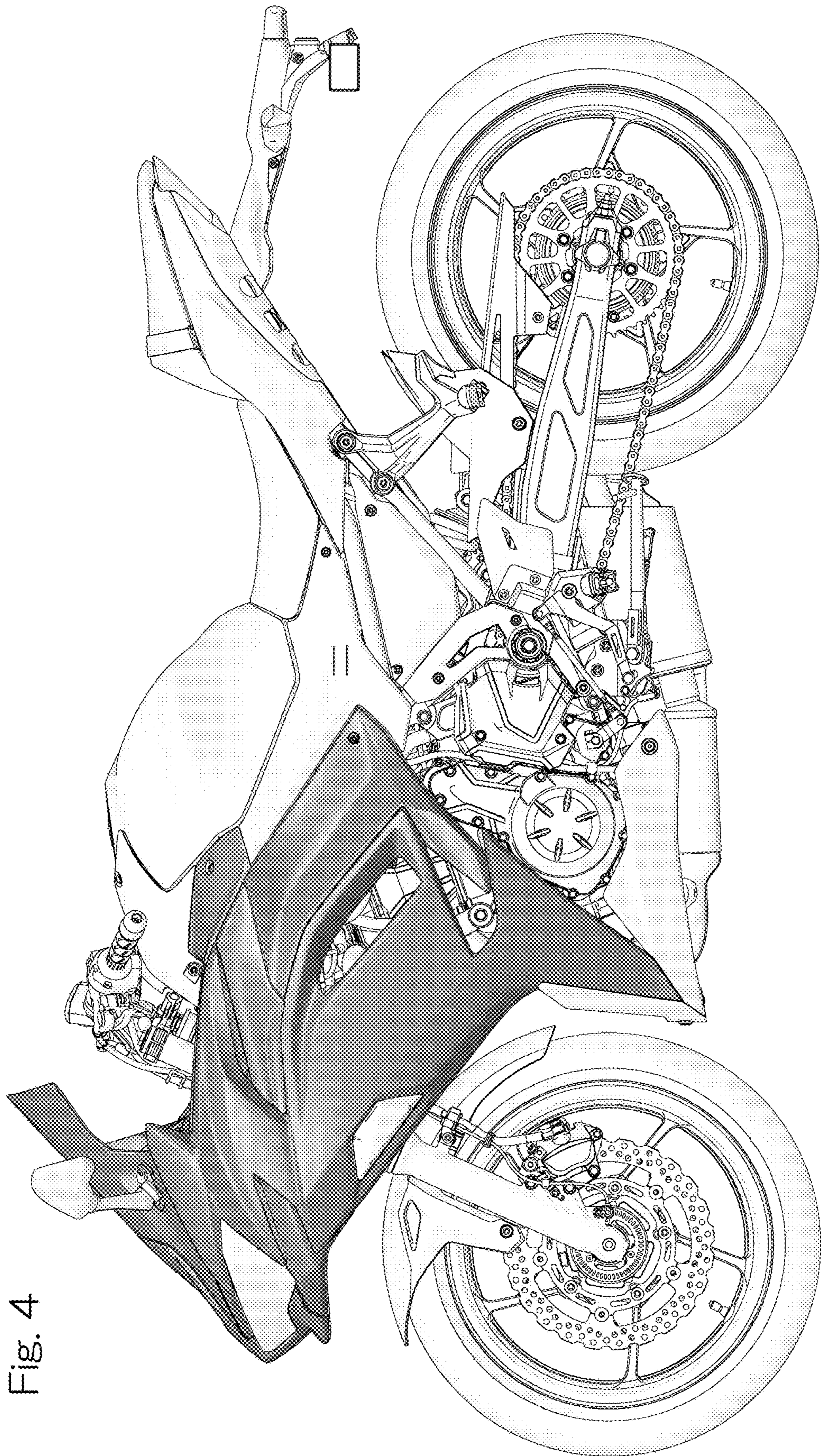


Fig. 4

Fig. 5

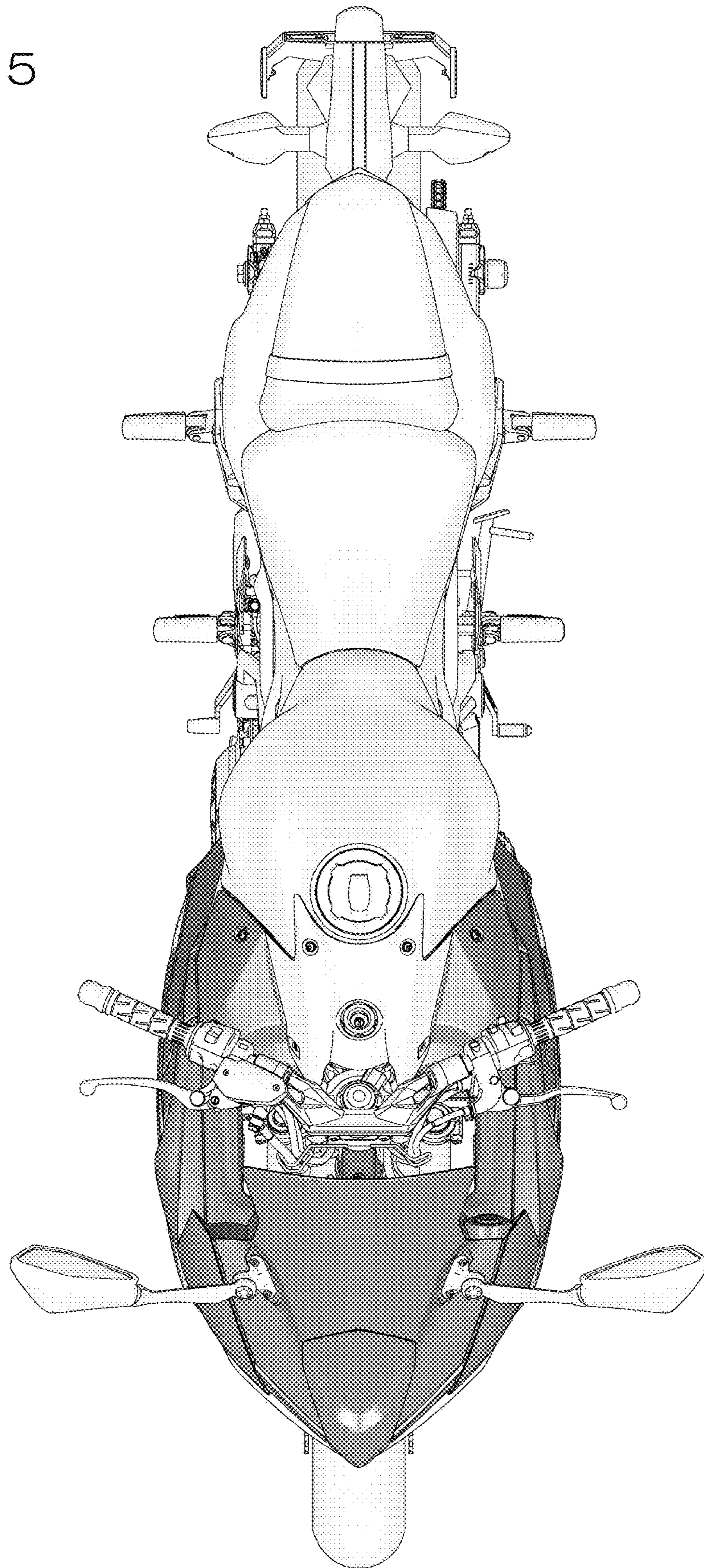
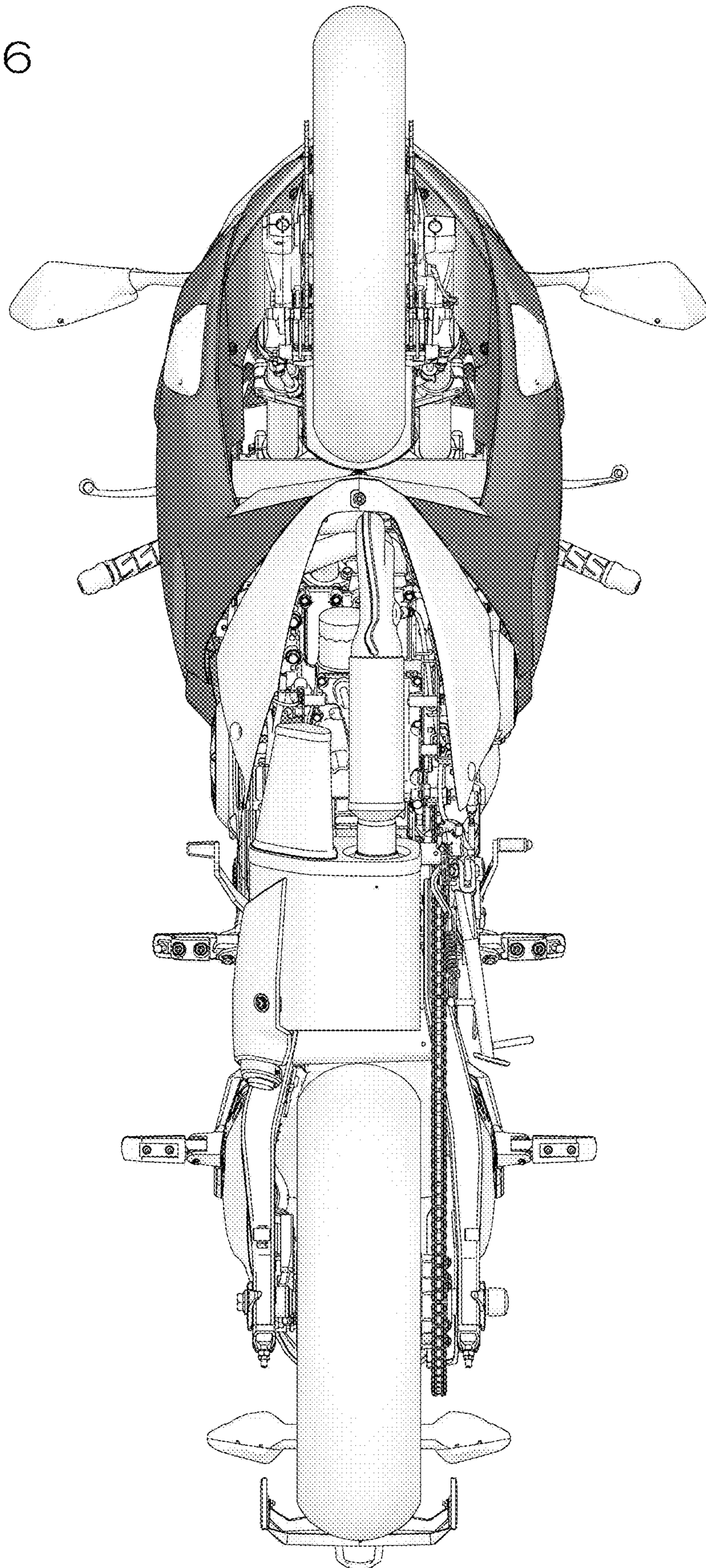


Fig. 6



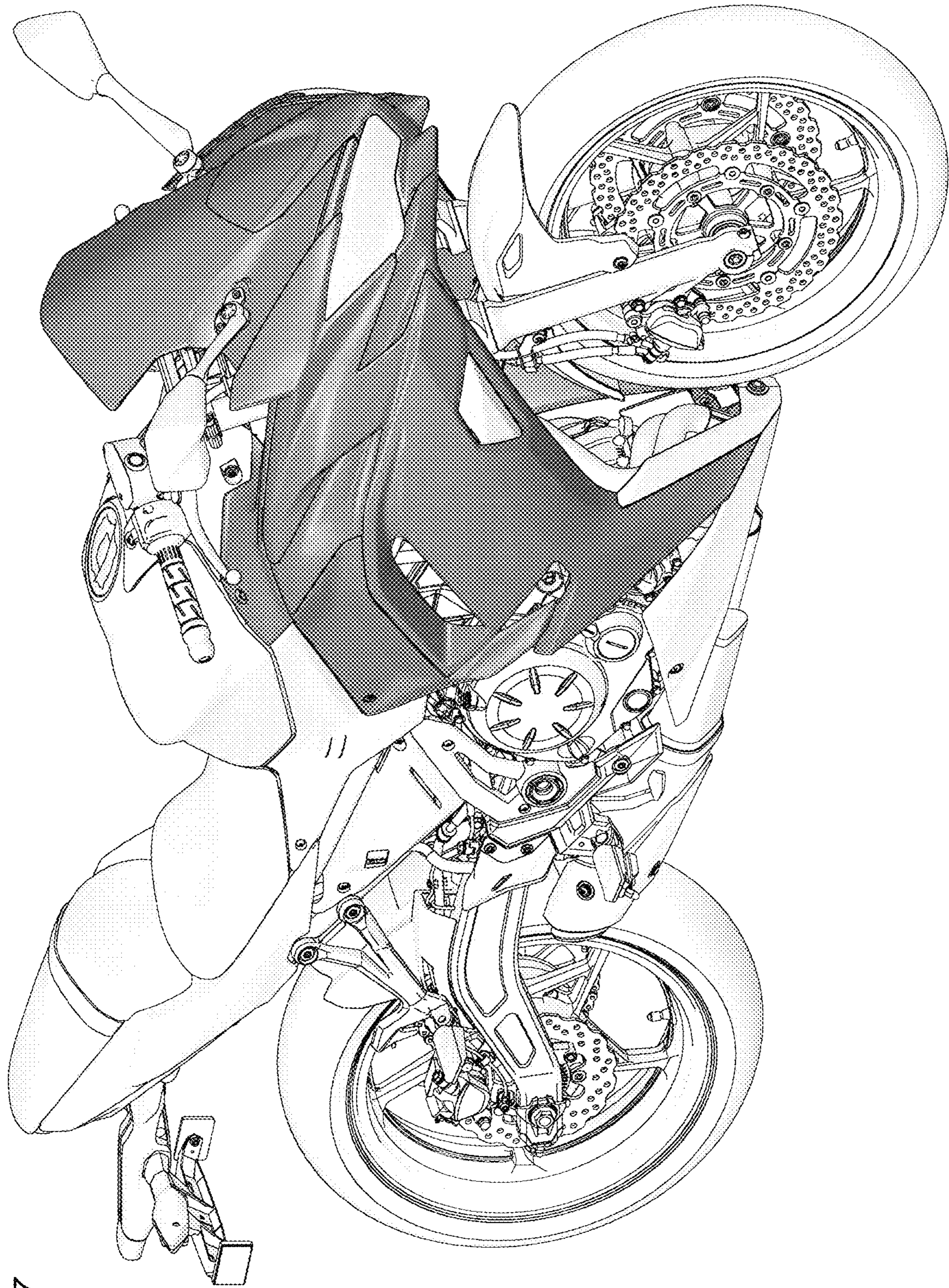


Fig. 7



Fig. 8