



US00D918784S

(12) **United States Design Patent**
Wang

(10) **Patent No.:** **US D918,784 S**

(45) **Date of Patent:** **** May 11, 2021**

(54) **BICYCLE FRAME**
(71) Applicant: **Shenzhen FIIDO Technology Development Co. Ltd., Shenzhen (CN)**
(72) Inventor: **Zhikai Wang, Jieyang (CN)**
(**) Term: **15 Years**

D693,739 S * 11/2013 Uimonen D12/111
D721,014 S * 1/2015 Kahler, Jr. D12/111
D724,498 S * 3/2015 Eagleman D12/111
D725,552 S * 3/2015 Lawson D12/111
D734,692 S * 7/2015 D'Aluisio D12/111
D738,261 S * 9/2015 Silva D12/111
D742,284 S * 11/2015 Strickland D12/111
D759,549 S * 6/2016 Edmonds D12/111
D766,136 S * 9/2016 Jankura D12/111

(21) Appl. No.: **29/718,991**
(22) Filed: **Dec. 31, 2019**
(51) **LOC (13) Cl.** **12-11**
(52) **U.S. Cl.**
USPC **D12/117**
(58) **Field of Classification Search**
USPC D12/11, 107, 114, 117, 126, 127, 159;
D21/419, 424, 427, 432, 663, 664, 666,
D21/697
CPC . B62K 3/00; B62K 3/005; B62K 3/02; B62K
3/04; B62K 11/00; B62K 11/02; B62K
11/10; B62K 11/14; B62K 21/12
See application file for complete search history.

OTHER PUBLICATIONS

“Bicycle Fork” Indiamart., posted date Dec. 22, 2016 [online], [retrieved on Jan. 14, 2021]. Retrieved from the Internet <URL: <https://www.indiamart.com/proddetail/bicycle-fork-ph-type-28-x-1-5-13684189830.html>> (Year: 2016).*

(Continued)

Primary Examiner — Darlington Ly
Assistant Examiner — Nasim Abdulaziz Ali

(57) **CLAIM**

The ornamental design for a bicycle frame, as shown and described.

(56) **References Cited**

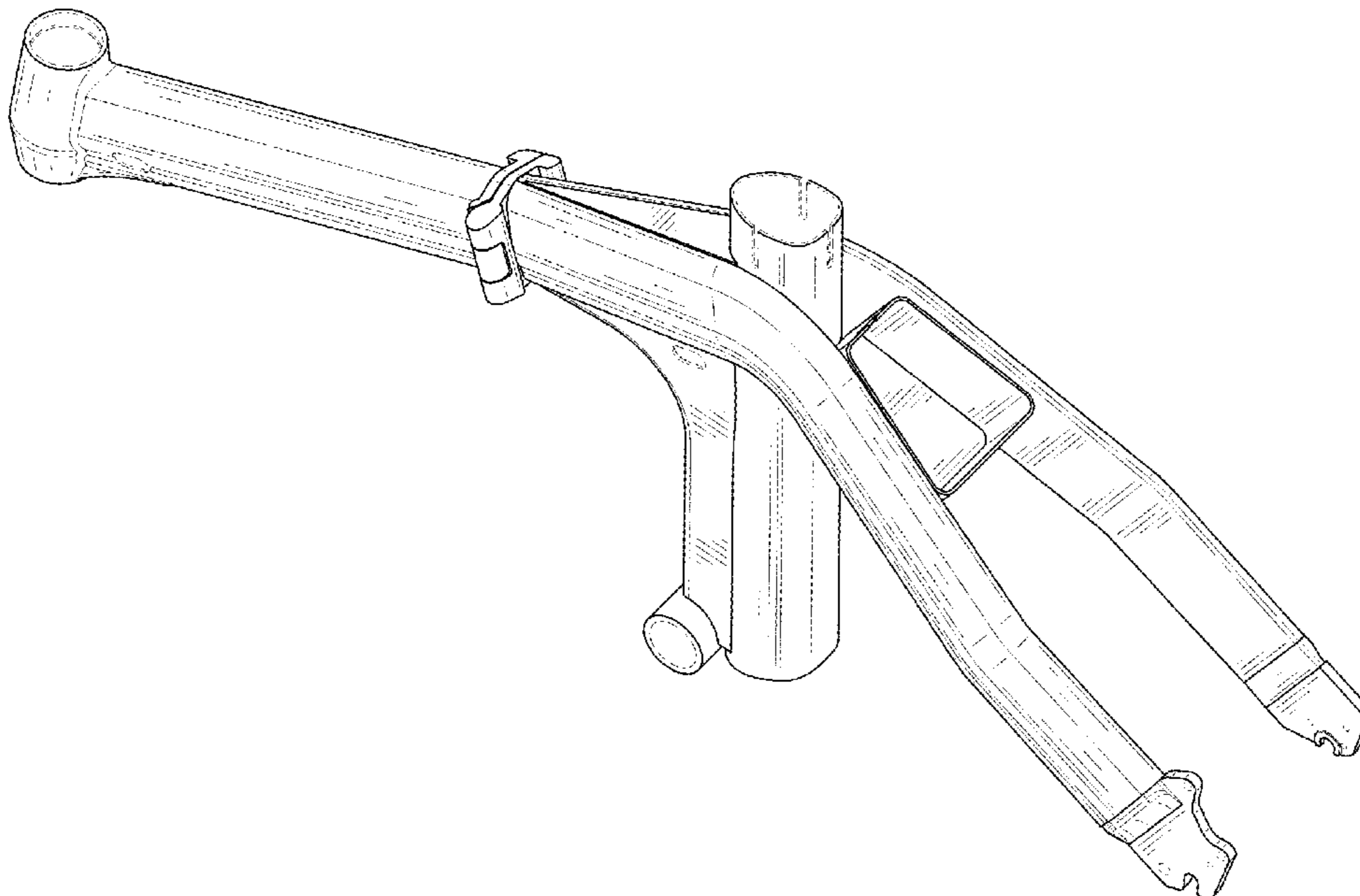
U.S. PATENT DOCUMENTS

D517,452 S * 3/2006 Hickman D12/111
D593,457 S * 6/2009 Talavasek D12/111
D604,205 S * 11/2009 Cattaneo D12/111
D622,638 S * 8/2010 Uimonen D12/111
D632,615 S * 2/2011 Uimonen D12/111
D635,894 S * 4/2011 Argote Vivar D12/111
D662,445 S * 6/2012 Uimonen D12/111
D666,536 S * 9/2012 Uimonen D12/111
D682,744 S * 5/2013 Horne D12/111
D686,950 S * 7/2013 Lin D12/111
D688,599 S * 8/2013 Silva D12/111
D689,407 S * 9/2013 Kim D12/111
D689,408 S * 9/2013 Kim D12/111
D690,239 S * 9/2013 Uimonen D12/111

DESCRIPTION

FIG. 1 is a front perspective view of a bicycle frame embodying my new design;
FIG. 2 is a rear perspective view thereof;
FIG. 3 is a front elevation view thereof;
FIG. 4 is a rear elevation view thereof;
FIG. 5 is a left side elevation view thereof;
FIG. 6 is a right side elevation view thereof;
FIG. 7 is a top plan view thereof; and,
FIG. 8 is a bottom plan view thereof.
The broken lines in the drawings illustrate portions of the bicycle frame that form no part of the claimed design.

1 Claim, 8 Drawing Sheets



(56)

References Cited

OTHER PUBLICATIONS

“Soma Wolverine Lugged CX Fork” Performance Bicycle., posted date Feb. 19, 2019 [online], [retrieved on Jan. 14, 2021]. Retrieved from the Internet <URL: <https://www.performancebike.com/soma-wolverine-lugged-cx-fork-matte-black-disc-qr-23008/p734473>> (Year: 2019).*

“Sunlite Rigid MTB Fork 26" BlacBlack” ModernBIKE., posted date Nov. 14, 2016 [online], [retrieved on Jan. 14, 2021]. Retrieved from the Internet <URL: <https://www.modernbike.com/sunlite-rigid-mtb-fork-26-black>> (Year: 2016).*

* cited by examiner

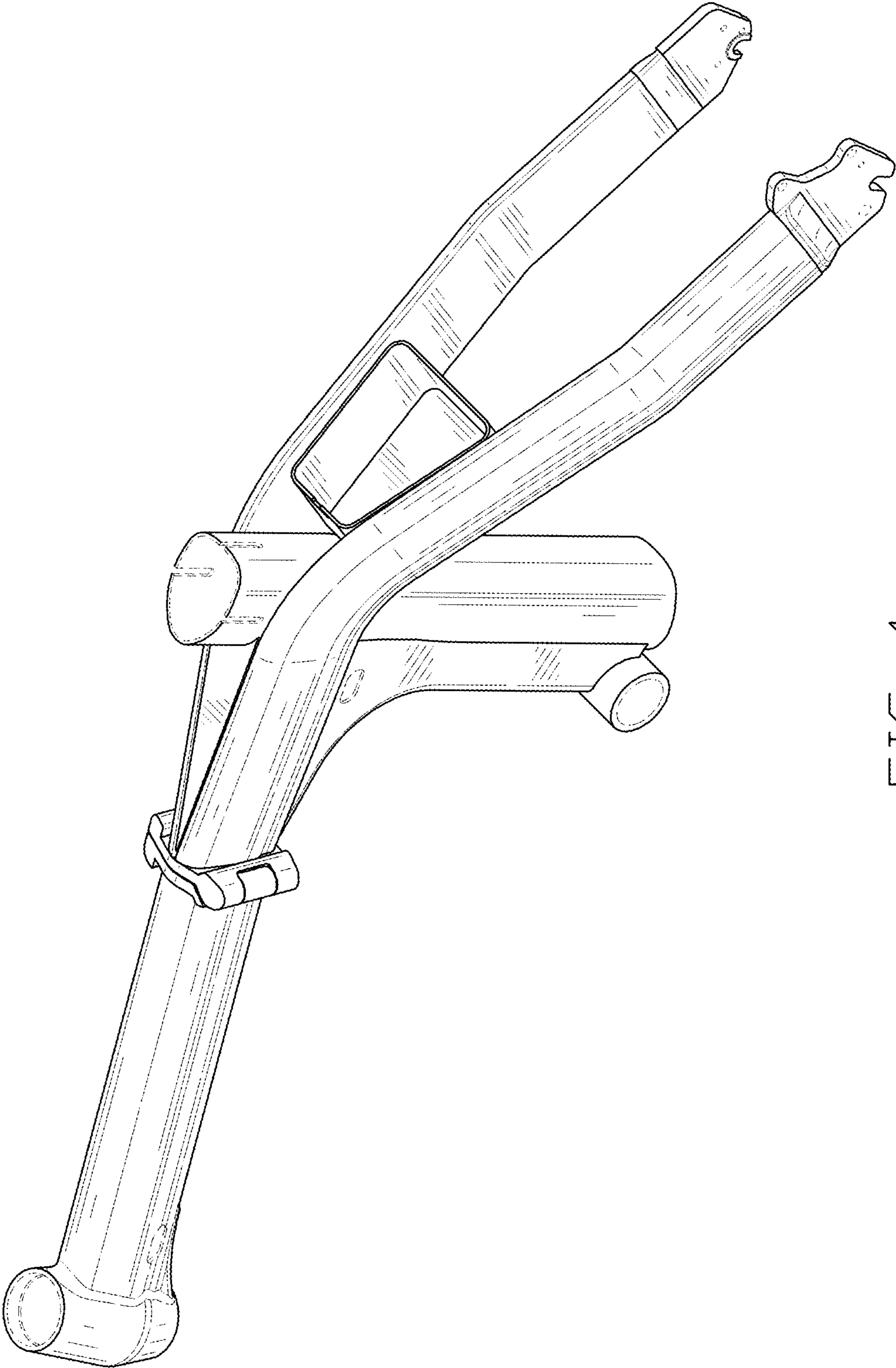


FIG. 1

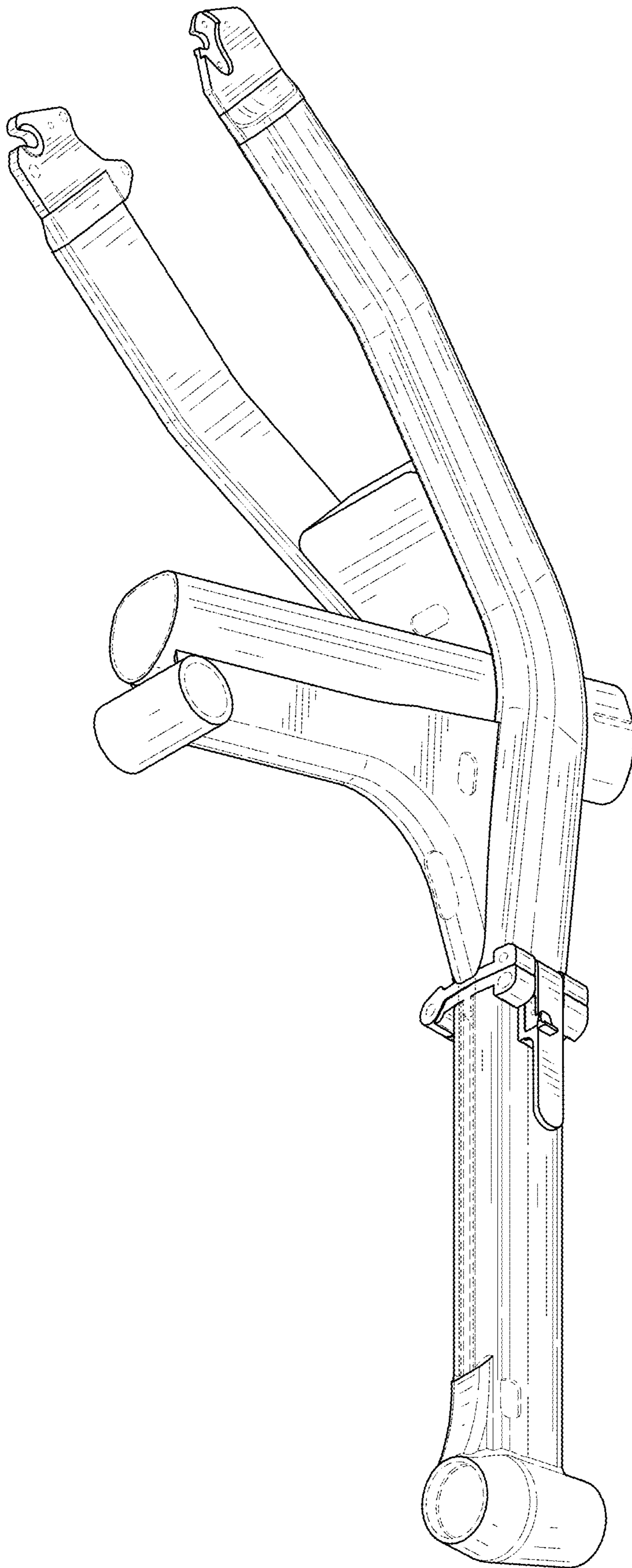


FIG. 2

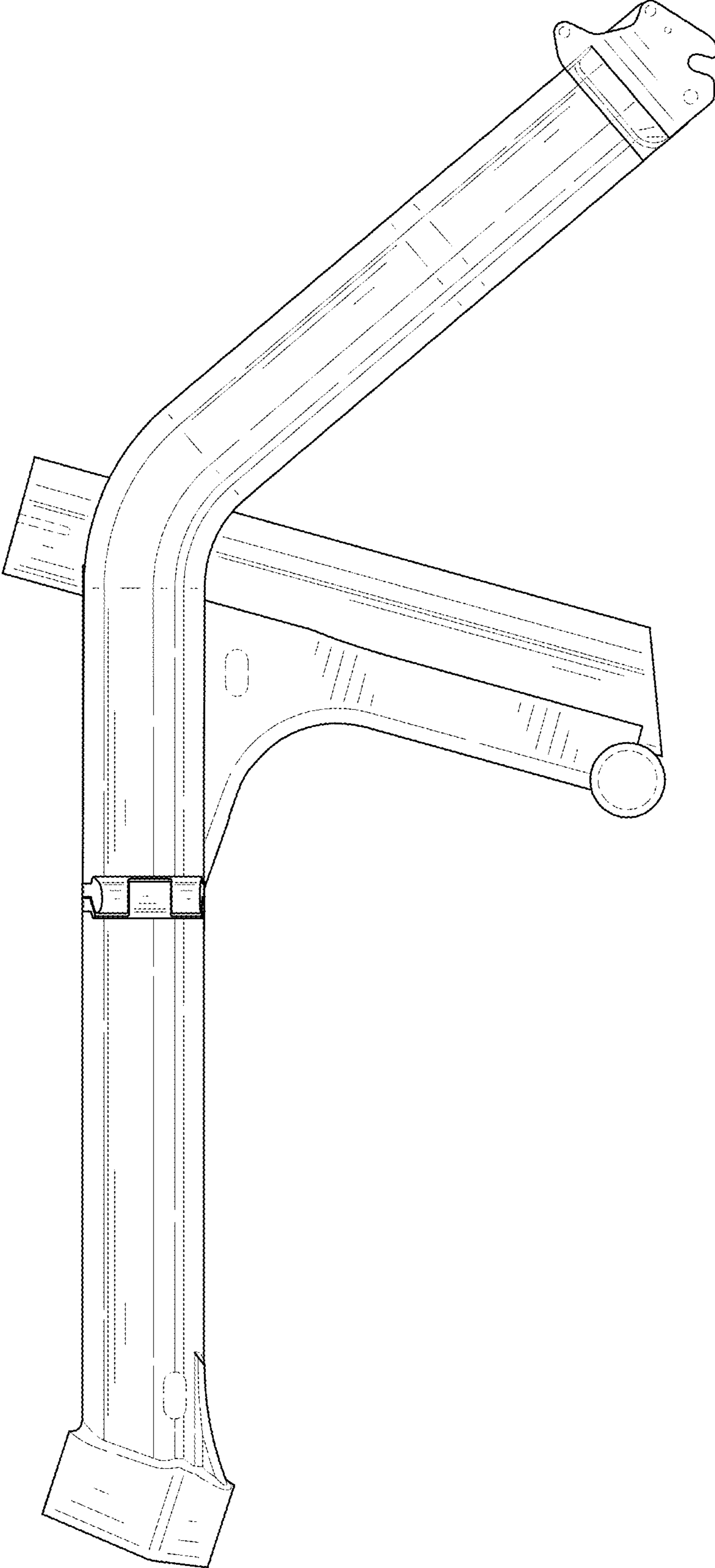


FIG. 3

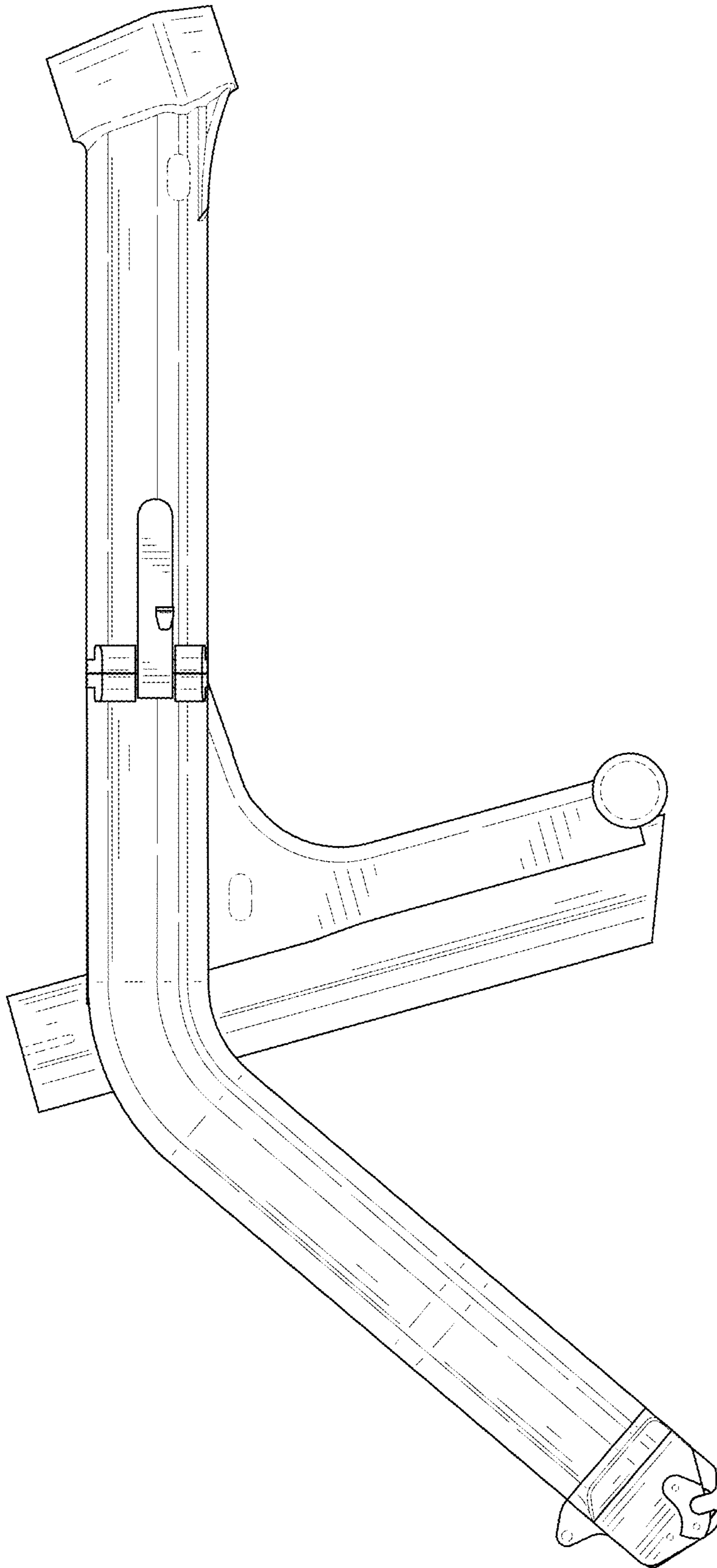


FIG. 4

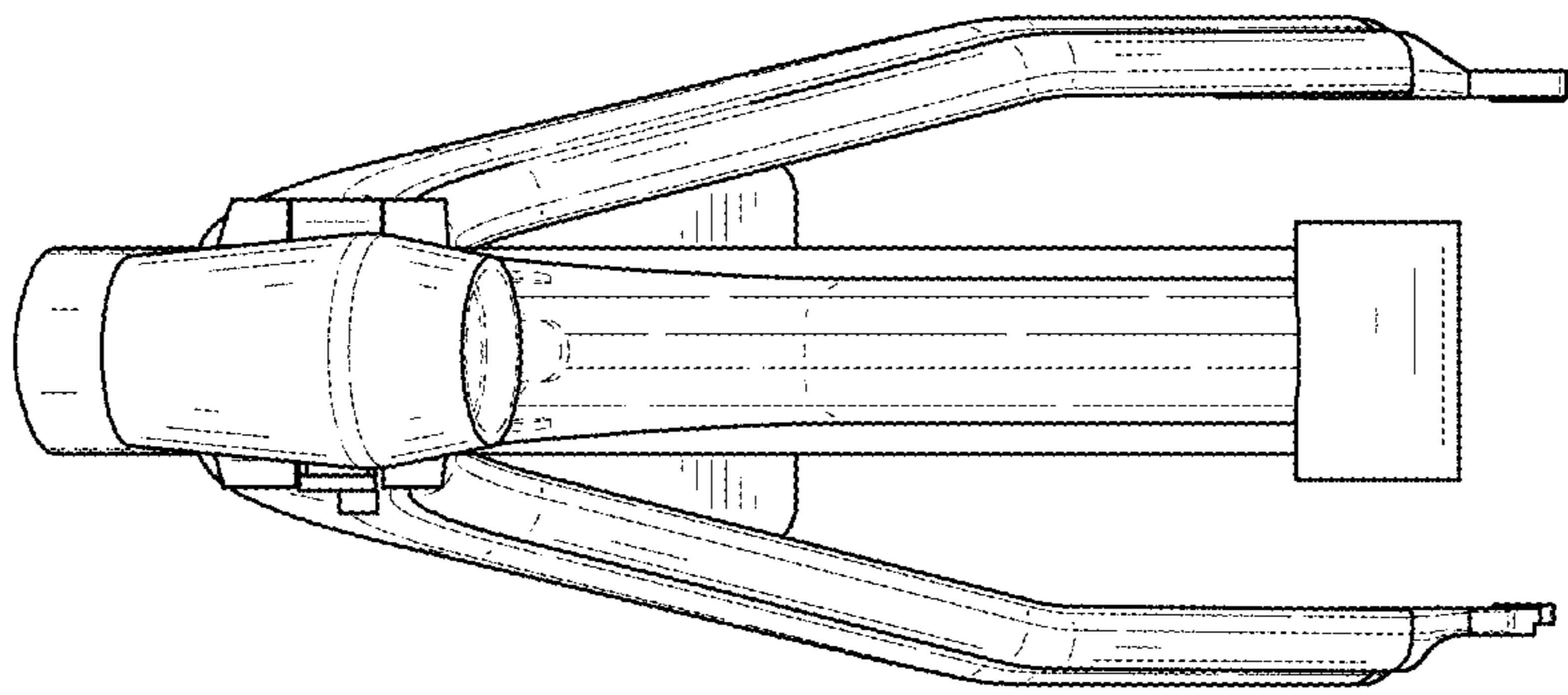


FIG. 5

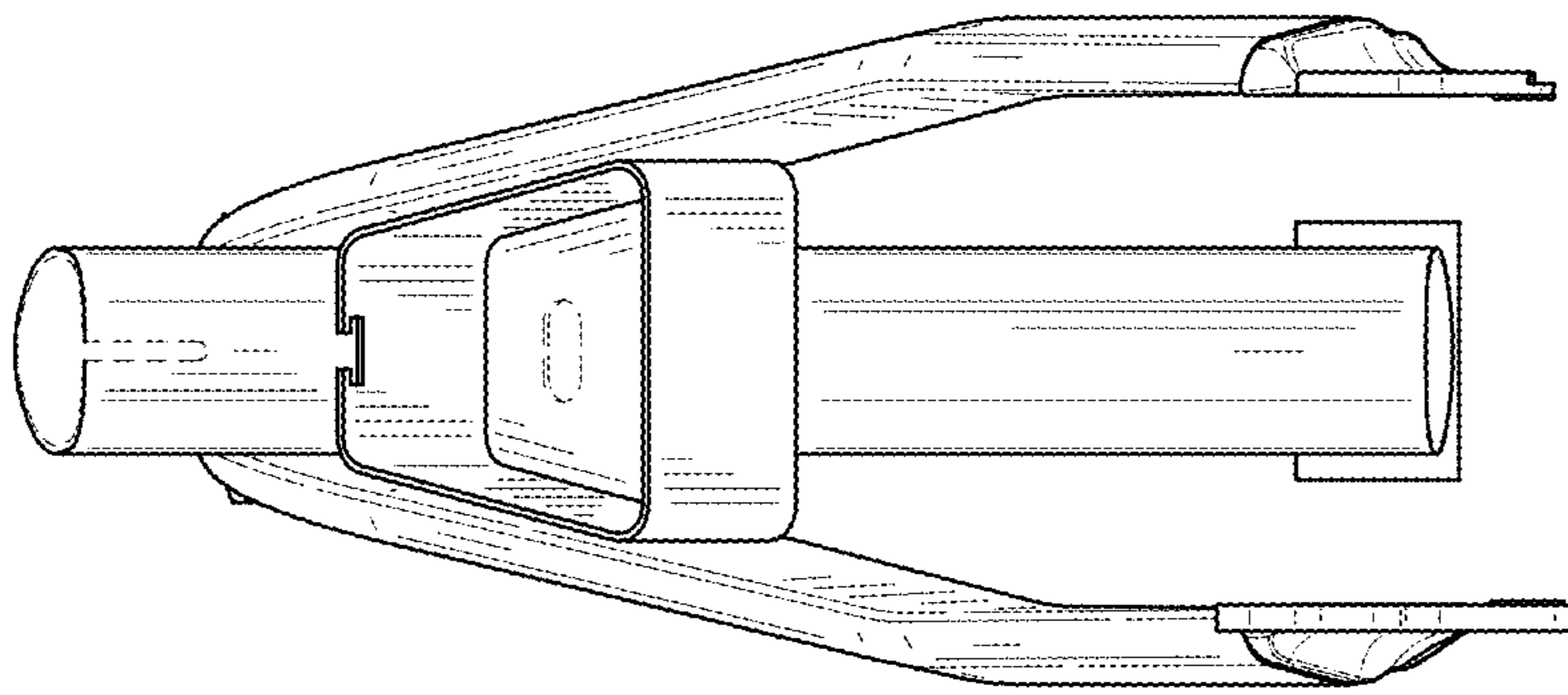


FIG. 6

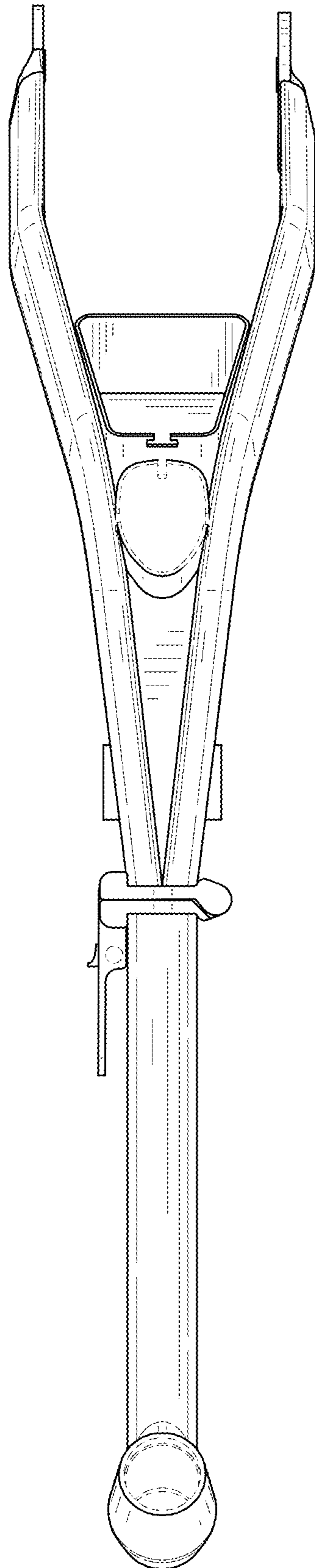


FIG. 7

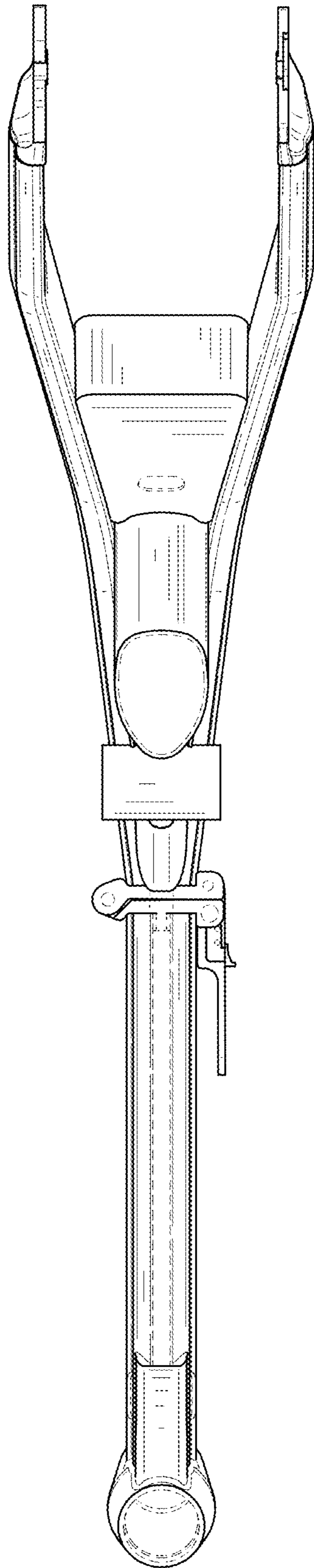


FIG. 8