



US00D918783S

(12) **United States Design Patent**  
**Liu**

(10) **Patent No.:** **US D918,783 S**

(45) **Date of Patent:** **\*\* May 11, 2021**

(54) **WALL RACK FOR BICYCLE**

(71) Applicant: **Che-Lin Liu**, Tainan (TW)

(72) Inventor: **Che-Lin Liu**, Tainan (TW)

(\*\*) Term: **15 Years**

(21) Appl. No.: **29/695,550**

(22) Filed: **Jun. 20, 2019**

(51) **LOC (13) Cl.** ..... **08-10**

(52) **U.S. Cl.**  
USPC ..... **D12/115**

(58) **Field of Classification Search**  
USPC ..... D12/115, 120, 402, 406-408; D6/320,  
D6/512, 552, 566, 572; D8/363, 71  
CPC ... B62H 3/00; B62H 3/04; B62H 3/08; B62H  
3/10; B60R 9/06; B60R 9/10  
See application file for complete search history.

D705,577 S *	5/2014	Goodman	.....	D6/572
D717,701 S *	11/2014	Hudson	.....	D12/115
D772,603 S *	11/2016	Adlesich	.....	D6/552
D775,476 S *	1/2017	Corless	.....	D6/320
D775,477 S *	1/2017	Corless	.....	D6/320
D809,435 S *	2/2018	Gertner	.....	D12/115
D813,638 S *	3/2018	Hsieh	.....	D8/71
D814,211 S *	4/2018	Castellana	.....	D6/566
2009/0229713 A1 *	9/2009	Ernst	.....	F16B 15/0023 148/516

\* cited by examiner

*Primary Examiner* — Michelle E. Wilson

*Assistant Examiner* — Clese Moore, Jr.

(74) *Attorney, Agent, or Firm* — Alan D. Kamrath; Karin L. Williams; Mayer & Williams PC

(57) **CLAIM**

The ornamental design for a wall rack for bicycle, as shown and described.

**DESCRIPTION**

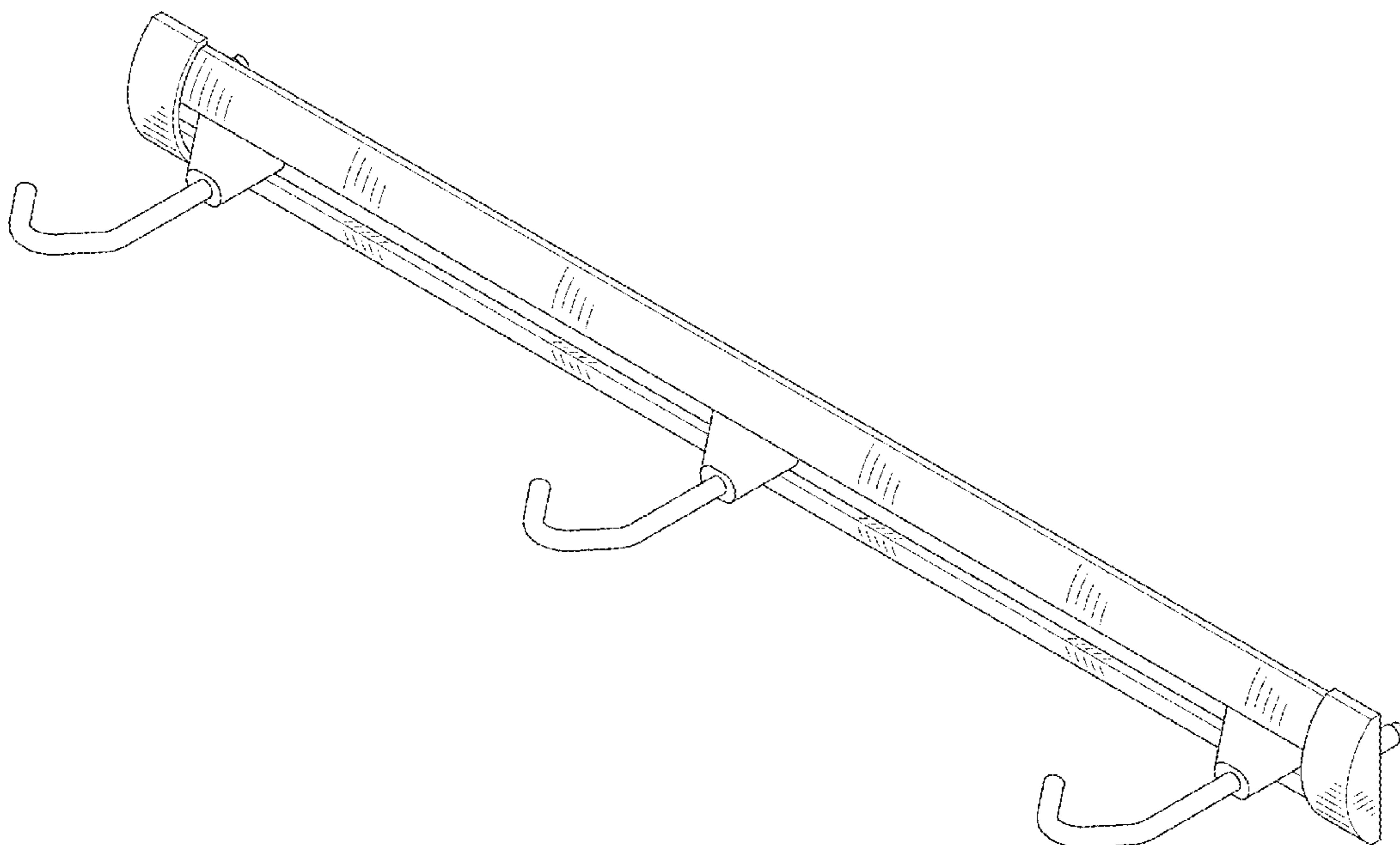
FIG. 1 is a perspective view of a wall rack for bicycle showing my design;  
FIG. 2 is a front elevational view thereof;  
FIG. 3 is a rear elevational view thereof;  
FIG. 4 is a left side elevational view thereof;  
FIG. 5 is a right side elevational view thereof;  
FIG. 6 is a top plan view thereof;  
FIG. 7 is a bottom plan view thereof;  
FIG. 8 is a perspective view showing the present invention shown in use; and,  
FIG. 9 is another perspective view showing the present invention in an alternate configuration.  
The broken lines shown illustrate environment that form no part of the claimed design.

**1 Claim, 8 Drawing Sheets**

(56) **References Cited**

**U.S. PATENT DOCUMENTS**

D327,458 S *	6/1992	Martinell	.....	D12/115
D331,734 S *	12/1992	Rankin	.....	D12/115
D344,868 S *	3/1994	Martinell	.....	D6/552
D350,935 S *	9/1994	Stach	.....	D12/408
D397,892 S *	9/1998	Shaha	.....	D6/552
D401,460 S *	11/1998	Laga	.....	D6/566
D417,353 S *	12/1999	Laga	.....	D6/552
D474,933 S *	5/2003	Kaposi	.....	D6/569
D498,631 S *	11/2004	Anderson	.....	D6/566
D533,745 S *	12/2006	Rodrigue	.....	D6/566
D581,711 S *	12/2008	Goodman	.....	D6/572
D665,195 S *	8/2012	Hsieh	.....	D8/71
D666,855 S *	9/2012	Goodman	.....	D6/566
D666,856 S *	9/2012	Goodman	.....	D6/566
D666,857 S *	9/2012	Goodman	.....	D6/566
D666,859 S *	9/2012	Goodman	.....	D6/566
D667,250 S *	9/2012	Goodman	.....	D6/566



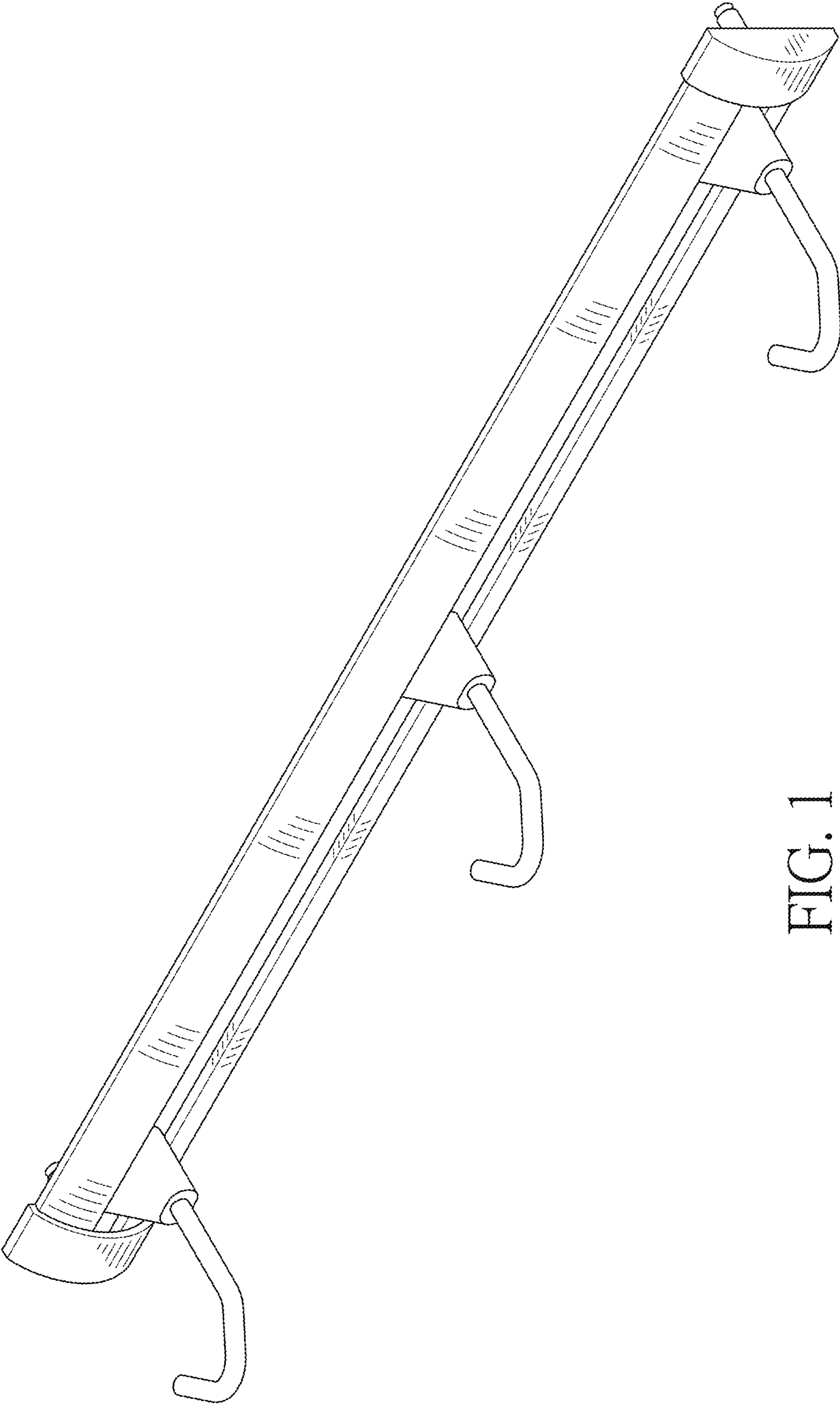


FIG. 1

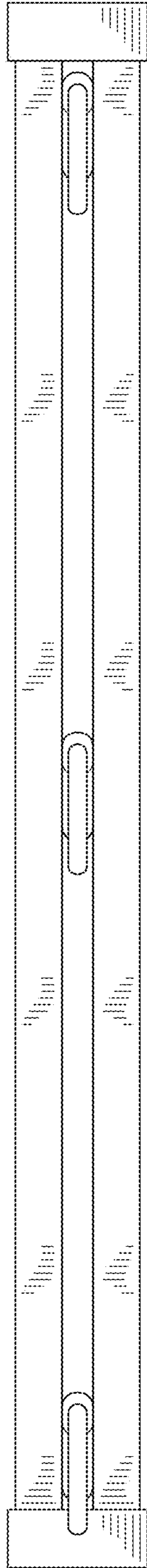


FIG. 2

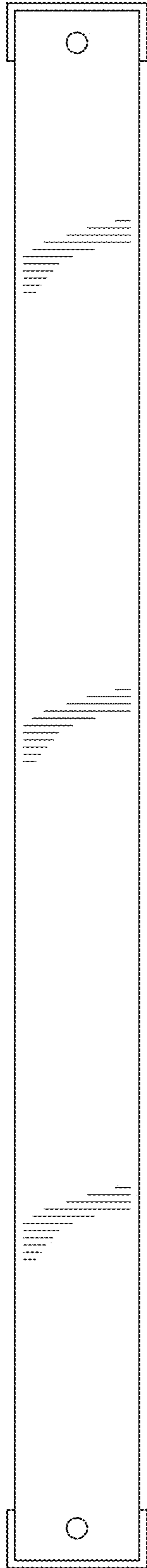


FIG. 3

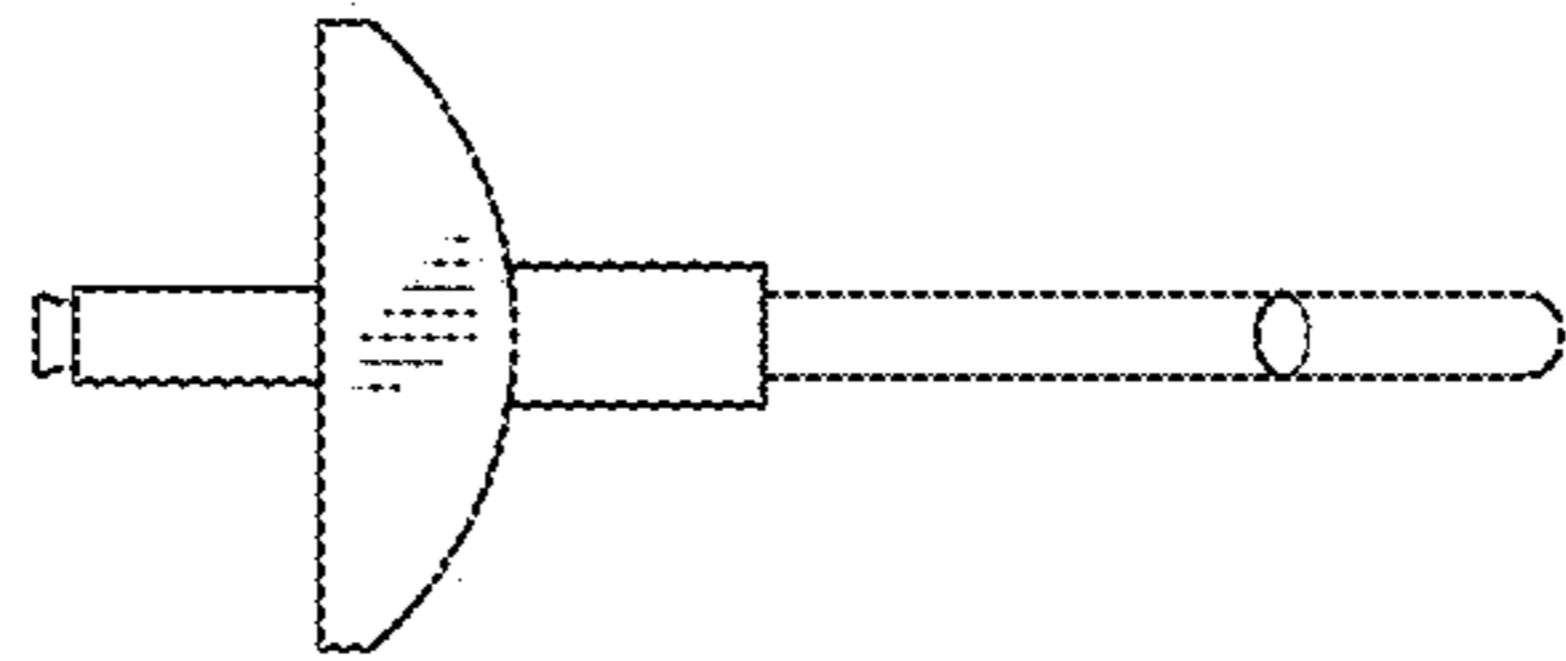


FIG. 4

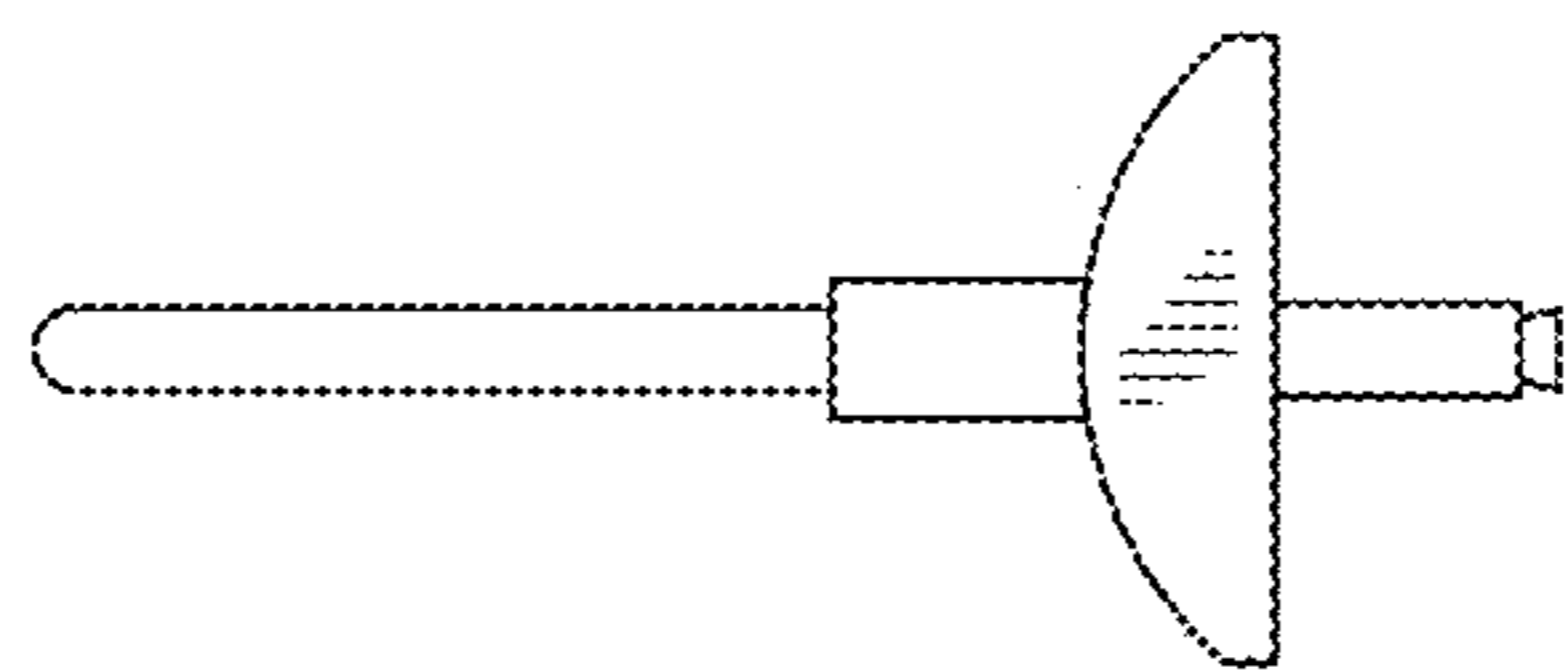


FIG. 5

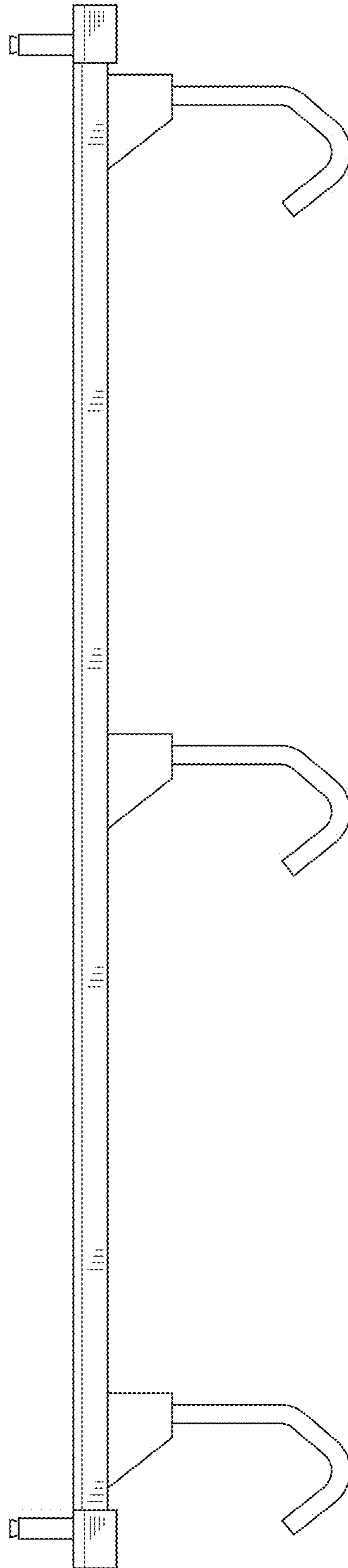


FIG. 6

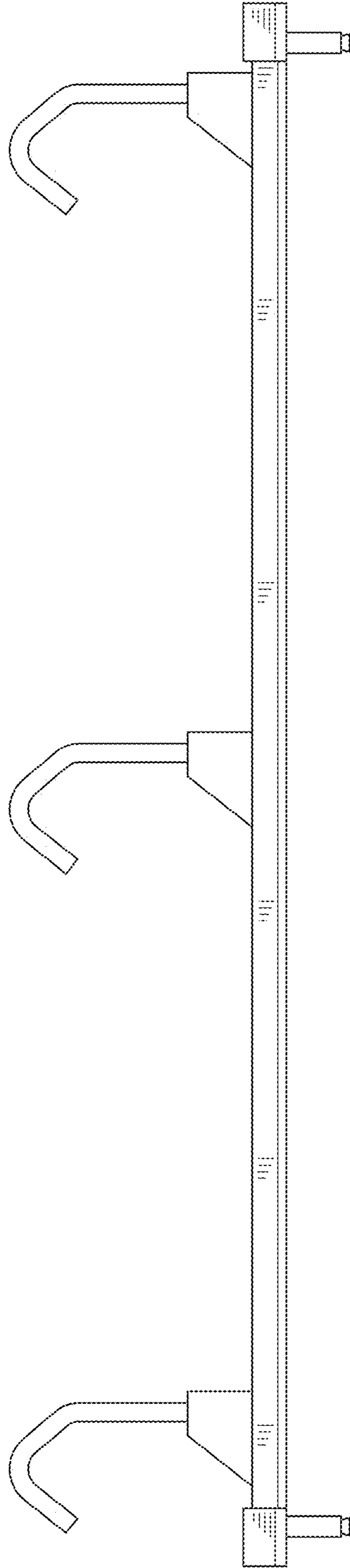


FIG. 7

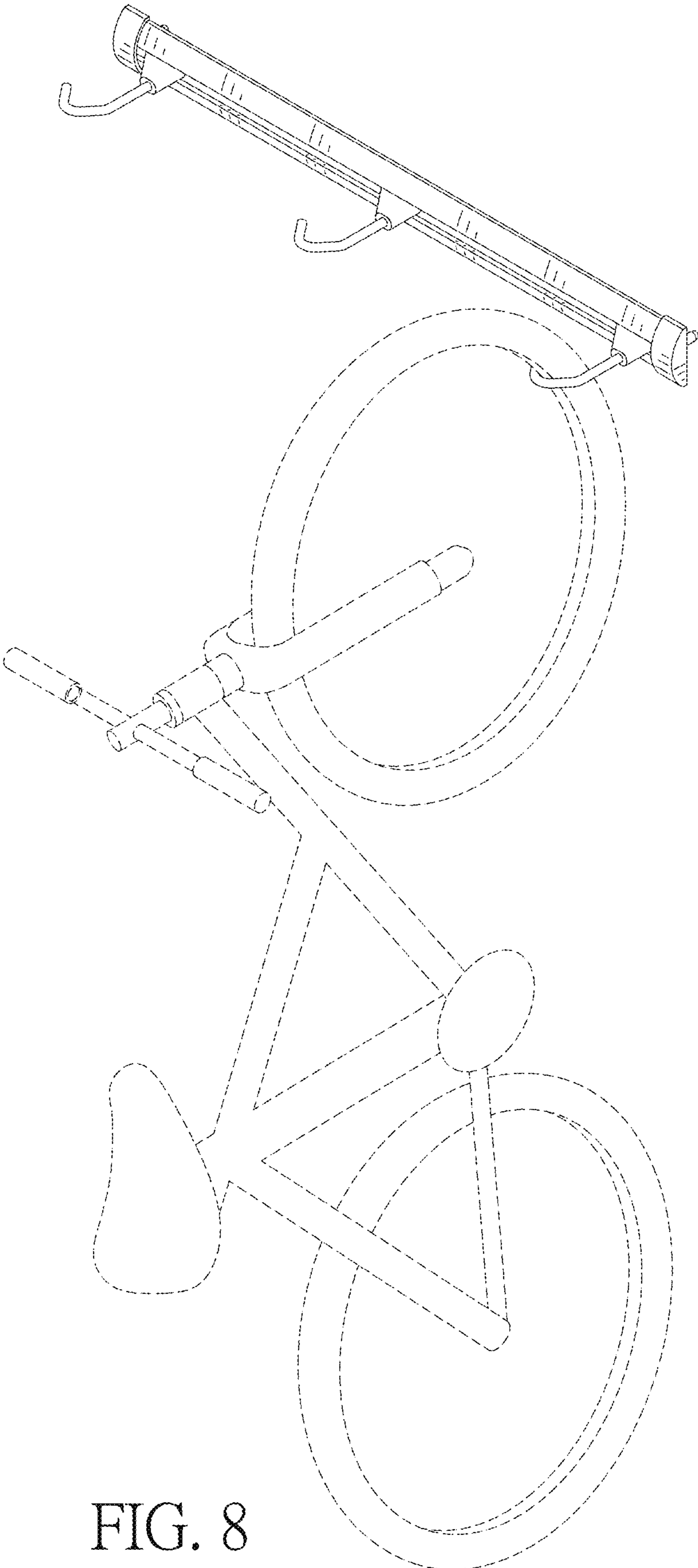


FIG. 8



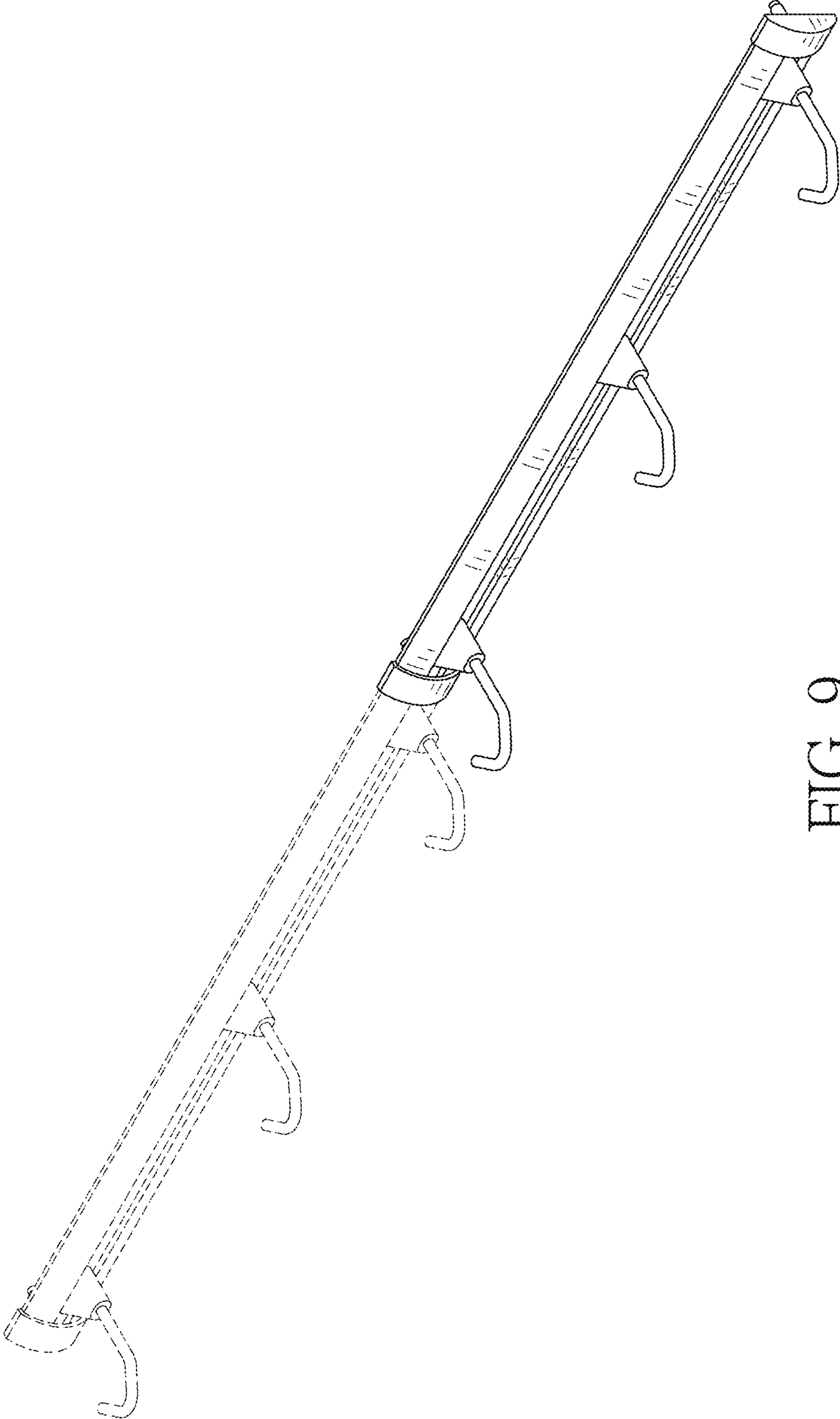


FIG. 9