



US00D918782S

(12) **United States Design Patent** (10) **Patent No.:** **US D918,782 S**
Fukuda (45) **Date of Patent:** **** May 11, 2021**

(54) **GRIP HEATER FOR A MOTORCYCLE**

(71) Applicant: **FALTEC Co., Ltd.**, Kawasaki (JP)

(72) Inventor: **Yuichi Fukuda**, Kawasaki (JP)

(73) Assignee: **FALTEC Co., Ltd.**, Kawasaki (JP)

(**) Term: **15 Years**

(21) Appl. No.: **29/701,907**

(22) Filed: **Aug. 15, 2019**

Related U.S. Application Data

(62) Division of application No. 29/618,401, filed on Sep. 21, 2017, now Pat. No. Des. 869,995.

(30) **Foreign Application Priority Data**

Mar. 28, 2017 (JP) 2017-006415
Mar. 28, 2017 (JP) 2017-006416

(51) **LOC (13) Cl.** **12-11**

(52) **U.S. Cl.**
USPC **D12/114**

(58) **Field of Classification Search**
USPC D12/114, 110-112, 117, 178, 179;
D8/303, 396
CPC B62J 33/00; B62K 21/26; B62K 11/14
See application file for complete search history.

(56) **References Cited**

U.S. PATENT DOCUMENTS

D274,122 S 6/1984 Stahel et al.
4,497,988 A 2/1985 Brown
D335,437 S 5/1993 Wilson
D411,432 S * 6/1999 Stahel D8/303
D412,306 S 7/1999 Berto
D418,096 S 12/1999 Hubbart
D426,175 S 6/2000 Chin-Fong
D430,072 S 8/2000 Harrison

6,114,668 A 9/2000 Ogata et al.
D434,356 S * 11/2000 Giard D12/178
D435,002 S * 12/2000 Giard D12/114
D488,413 S * 4/2004 Arbuckle D12/174
7,064,292 B1 6/2006 Oishi et al.
D533,481 S 12/2006 Goerges
D533,813 S 12/2006 Fujiwara et al.
D534,413 S * 1/2007 Higashi D8/303

(Continued)

Primary Examiner — Michelle E. Wilson

Assistant Examiner — Clese Moore, Jr.

(74) *Attorney, Agent, or Firm* — Banner & Witcoff, Ltd.

(57) **CLAIM**

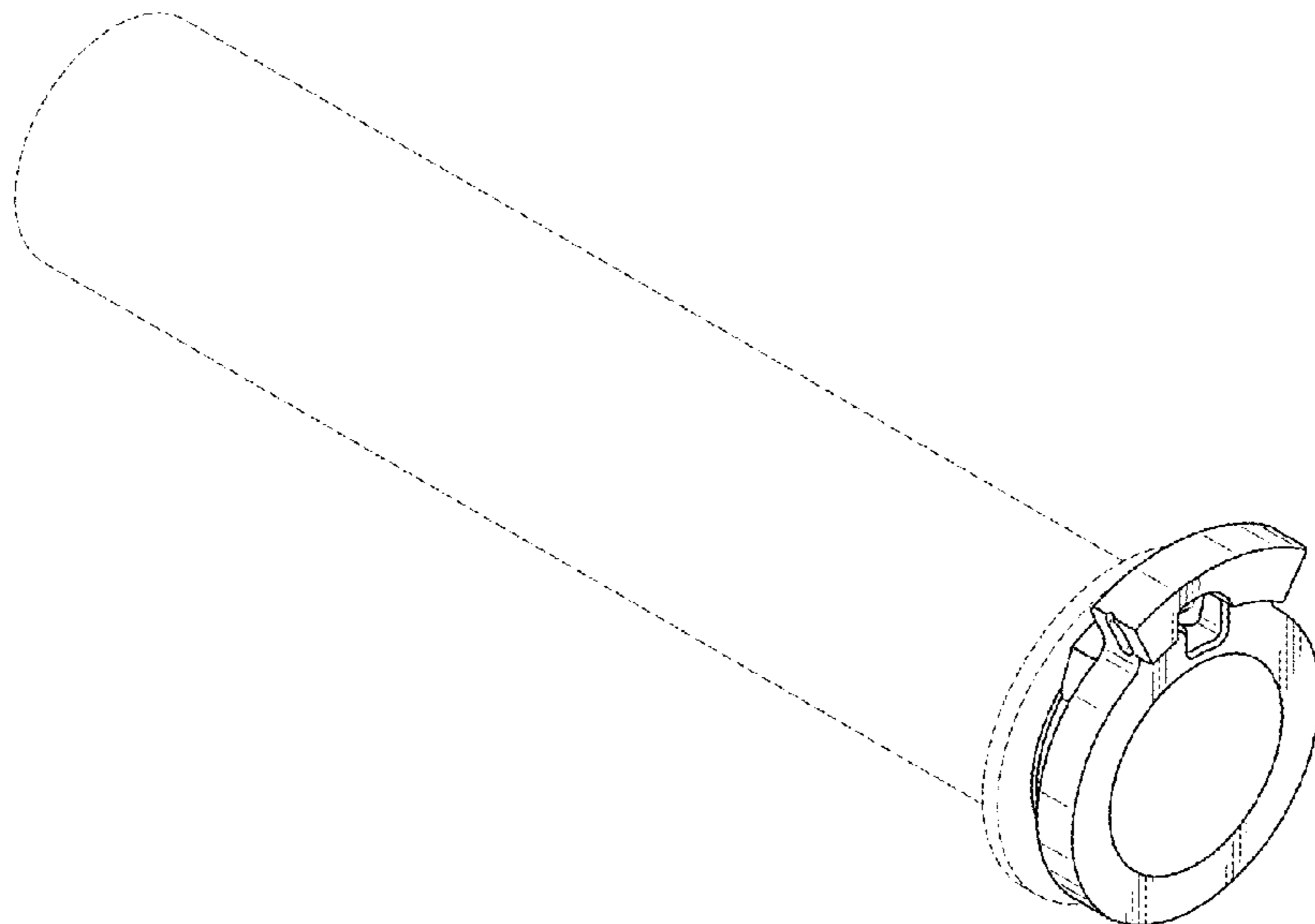
The ornamental design for a grip heater for a motorcycle, as shown and described.

DESCRIPTION

FIG. 1 is a front perspective view of a grip heater for a motorcycle showing my new design;
FIG. 2 is a rear perspective view thereof;
FIG. 3 is a right side view thereof;
FIG. 4 is a left side view thereof;
FIG. 5 is a front view thereof;
FIG. 6 is a rear view thereof;
FIG. 7 is a top view thereof;
FIG. 8 is a bottom view thereof;
FIG. 9 is a cross-sectional view taken through line 9-9 of FIG. 5;
FIG. 10 is an enlarged view of the region identified by the broken-line indicia in FIG. 9; and,
FIG. 11 is an enlarged cross-sectional view taken through line 11-11 of FIG. 3.

The even-length broken lines showing of the remainder of the grip heater for a motorcycle represent unclaimed subject matter and form no part of the claimed design. The uneven-length broken lines immediately adjacent to the shaded area shown in FIGS. 9 and 10 represent the bounds of the claimed design and form no part thereof.

1 Claim, 11 Drawing Sheets



(56)

References Cited

U.S. PATENT DOCUMENTS

D546,733 S 7/2007 Tanaka
 D551,054 S * 9/2007 Eijvinsoon D8/303
 D557,643 S 12/2007 Douglas
 D560,463 S 1/2008 Egan
 D576,012 S 9/2008 Egan
 D596,476 S * 7/2009 Welch D8/303
 D631,409 S * 1/2011 Mack, Jr. D12/179
 7,942,077 B2 * 5/2011 Lai B62K 21/26
 74/551.9
 D648,204 S * 11/2011 Parvey D8/303
 D654,775 S 2/2012 Higashi
 D703,033 S * 4/2014 Karlsson D8/396
 D725,456 S 3/2015 May
 D725,987 S 4/2015 May
 D729,710 S * 5/2015 Iwata D12/179
 D736,054 S * 8/2015 Heva D8/303
 D740,098 S * 10/2015 Kuo D8/303

D741,700 S * 10/2015 Mock F16D 1/0864
 D8/396
 D782,897 S * 4/2017 Harvey D8/303
 D798,128 S * 9/2017 Breeden, III D8/303
 D856,855 S * 8/2019 Steele D12/114
 D858,247 S * 9/2019 Papafagos D8/303
 D867,100 S * 11/2019 Papafagos D8/303
 D869,995 S * 12/2019 Fukuda D12/114
 D885,173 S * 5/2020 Magagna D8/396
 D885,877 S * 6/2020 Magagna D8/396
 2003/0056618 A1 3/2003 Dzumak
 2005/0173406 A1 8/2005 Kurumagawa et al.
 2008/0116188 A1 5/2008 Fukuda et al.
 2008/0257102 A1 10/2008 Packer
 2009/0255093 A1 * 10/2009 Hsu B62K 21/26
 16/421
 2009/0261554 A1 * 10/2009 Hsu B62K 19/40
 280/279
 2009/0302020 A1 * 12/2009 Fukuda B62K 21/26
 219/204
 2010/0053984 A1 3/2010 Wang

* cited by examiner

FIG. 1

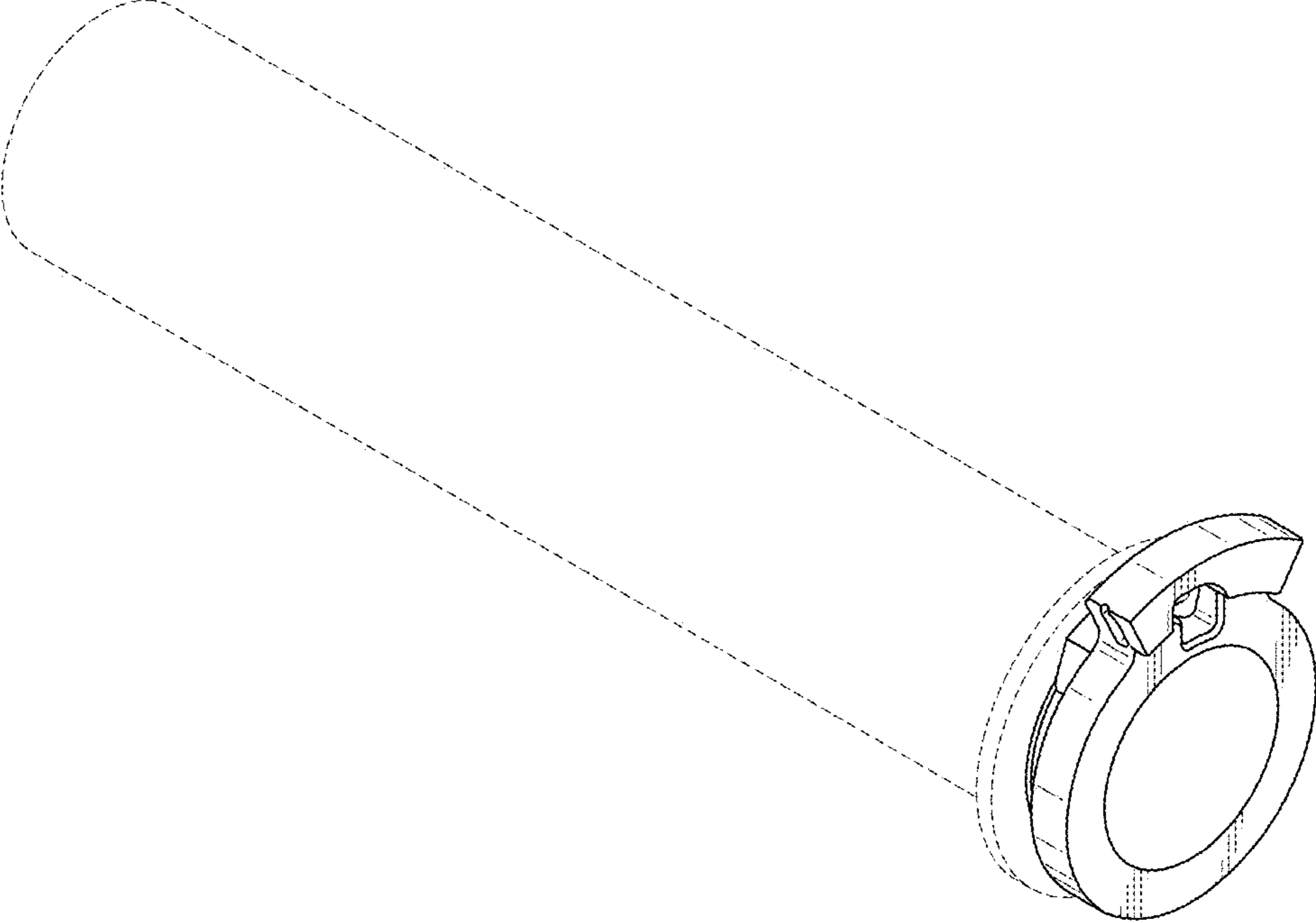


FIG. 2

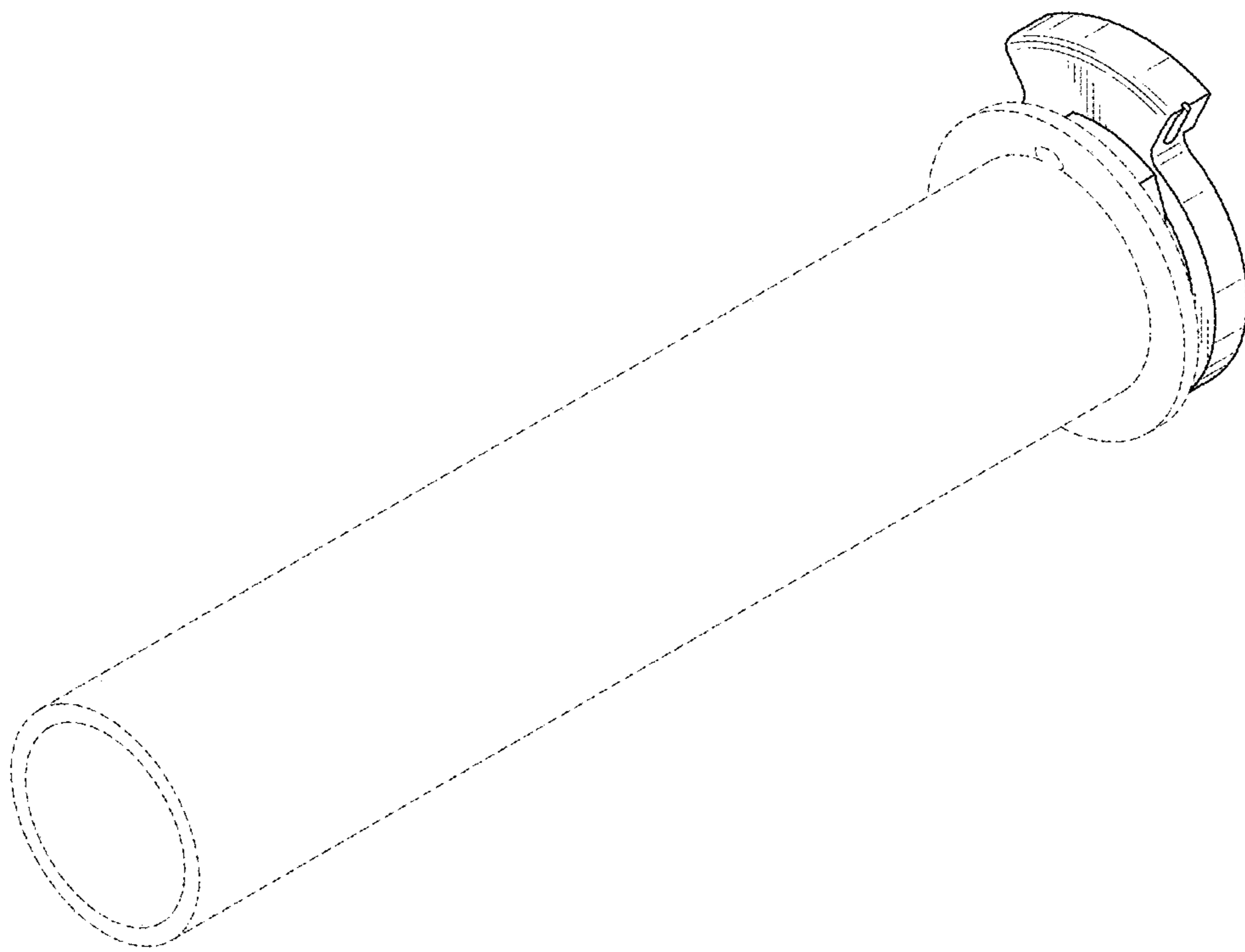


FIG. 3

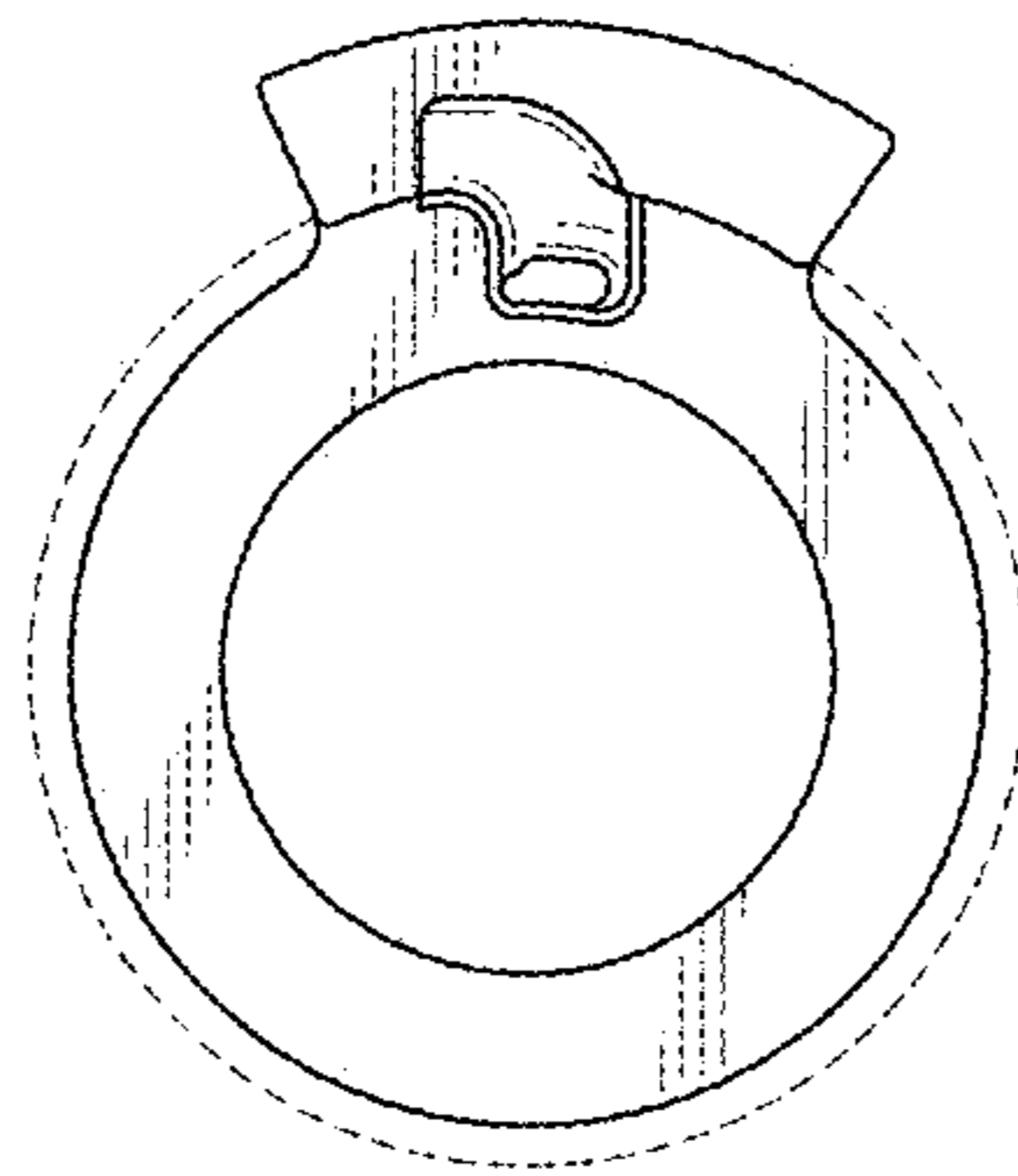


FIG. 4



FIG. 5

9 ←



9 ←

FIG. 6

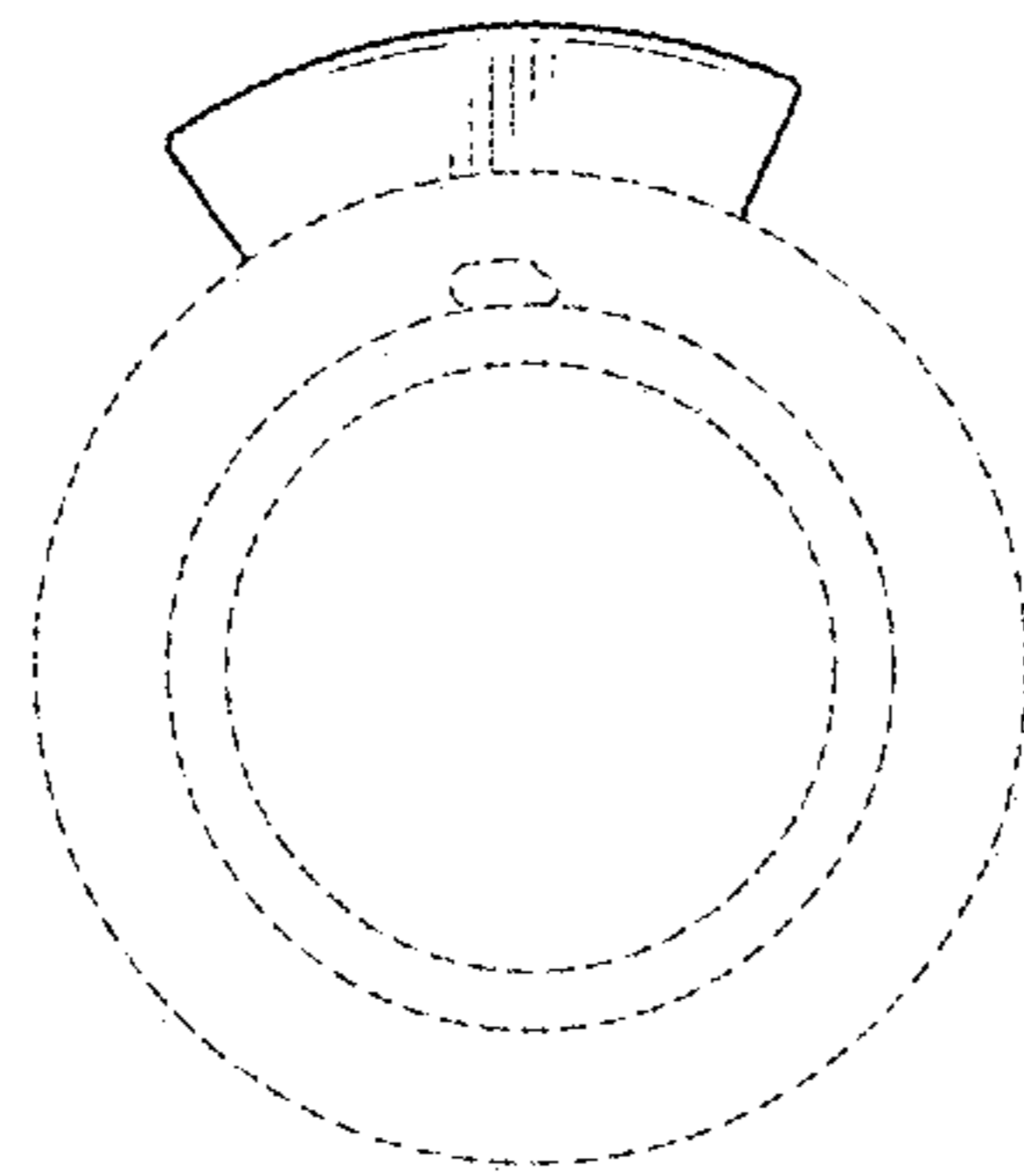


FIG. 7

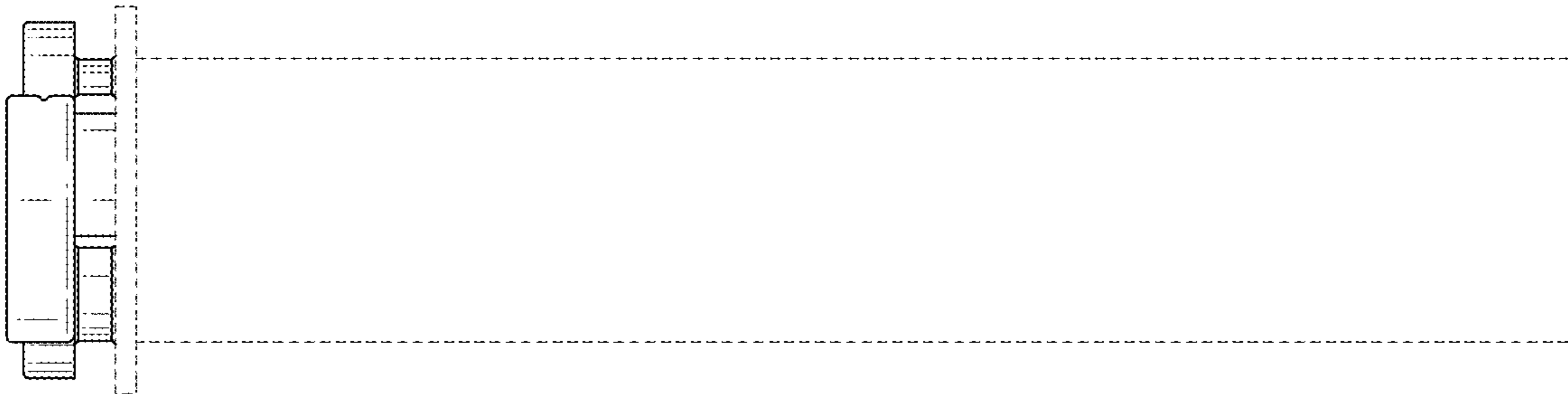


FIG. 8

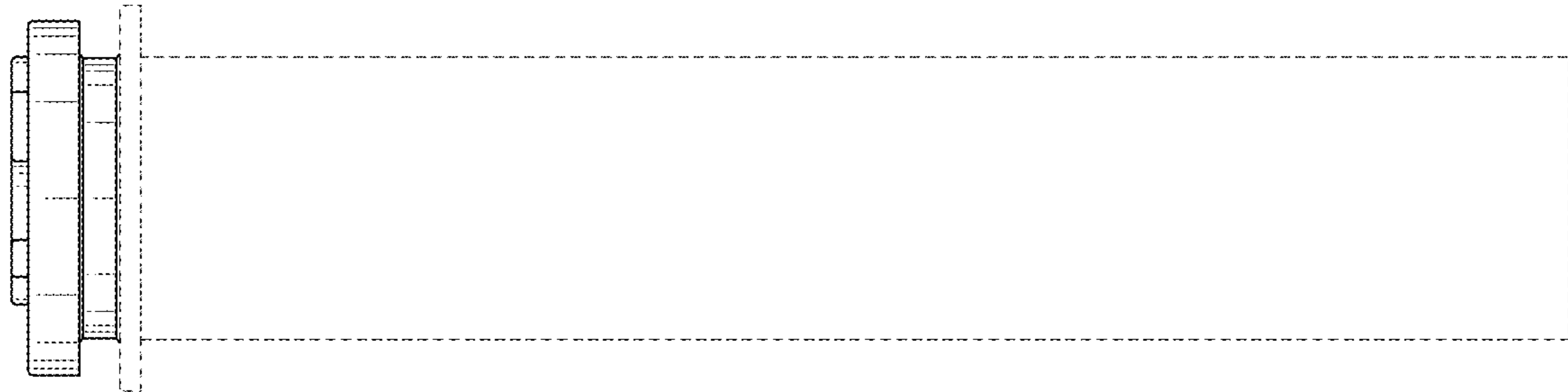


FIG. 9



FIG. 10

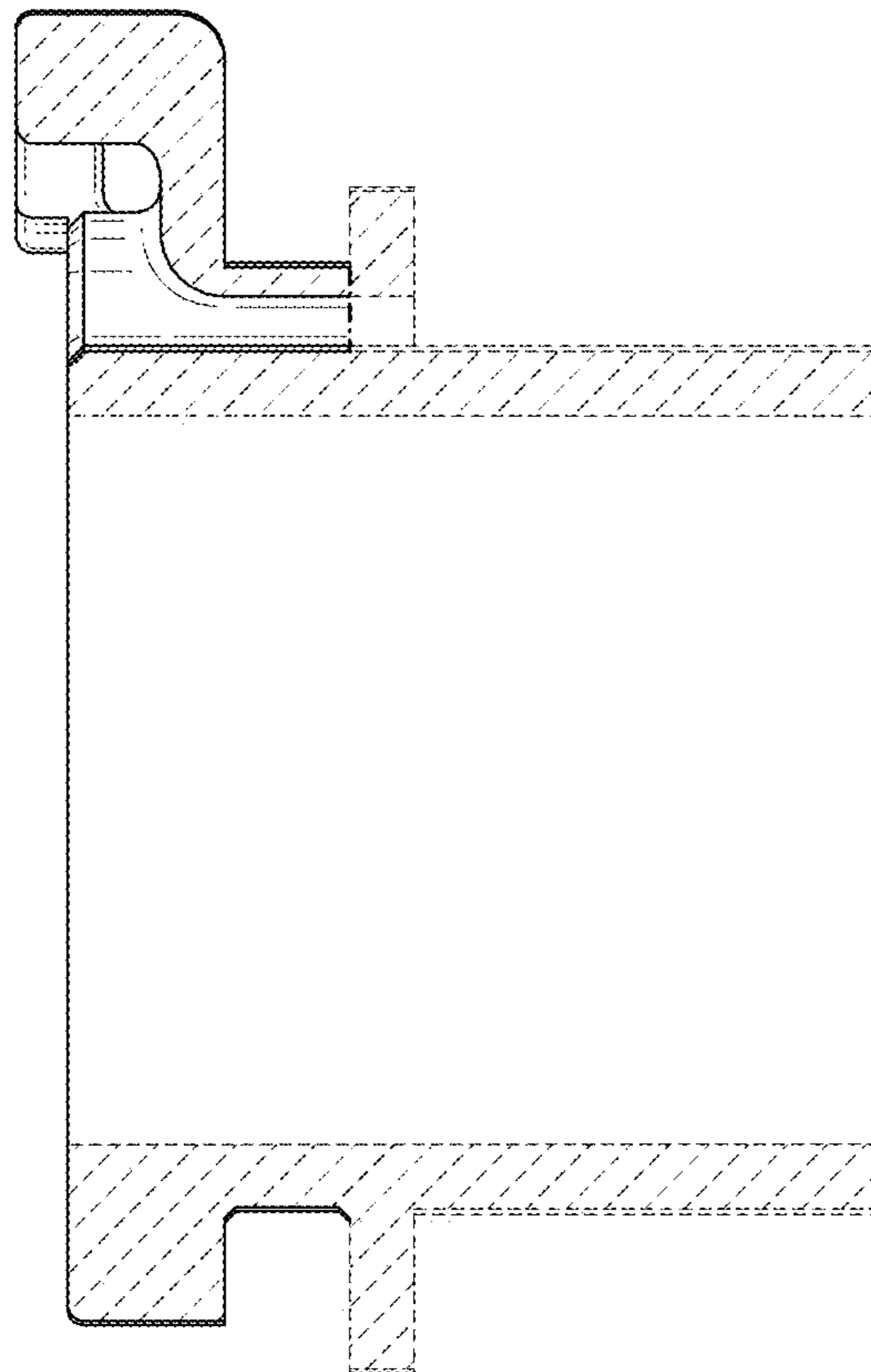


FIG. 11

