



US00D918781S

(12) **United States Design Patent** (10) **Patent No.:** **US D918,781 S**
Hüttl et al. (45) **Date of Patent:** **** May 11, 2021**

(54) **BICYCLE FRAME**

(71) Applicant: **Porsche Lizenz- und
Handelsgesellschaft mbH & Co. KG,**
Ludwigsburg (DE)

(72) Inventors: **Tobias Hüttl, Pforzheim (DE); Sina
von Schöning, Stuttgart (DE)**

(73) Assignee: **Porsche Lizenz- und
Handelsgesellschaft mbH & Co. KG**

(**) Term: **15 Years**

(21) Appl. No.: **29/725,383**

(22) Filed: **Feb. 25, 2020**

(30) **Foreign Application Priority Data**

Aug. 29, 2019 (DE) 402019100926.4

(51) **LOC (13) Cl.** **12-11**

(52) **U.S. Cl.**
USPC **D12/111**

(58) **Field of Classification Search**
USPC D12/111; D21/412, 414, 419, 423-428,
D21/431-435

CPC ... B62K 3/00; B62K 3/02; B62K 3/06; B62K
9/00; B62K 19/14

See application file for complete search history.

(56) **References Cited**

U.S. PATENT DOCUMENTS

D419,492 S *	1/2000	Egger	D12/111
D517,452 S *	3/2006	Hickman	D12/111
D632,615 S *	2/2011	Uimonen	D12/111
D637,527 S *	5/2011	Choi	D12/111
D662,011 S *	6/2012	D'Aluisio	D12/111
D662,445 S *	6/2012	Uimonen	D12/111
D667,347 S *	9/2012	Simko	D12/111
D719,488 S *	12/2014	Stafford	D12/111
D719,880 S *	12/2014	Juarez	D12/111

D726,075 S *	4/2015	D'Aluisio	D12/111
D734,218 S *	7/2015	D'Aluisio	D12/111
D766,136 S *	9/2016	Jankura	D12/111
D774,970 S *	12/2016	D'Aluisio	D12/111
D797,610 S *	9/2017	Jankura	D12/111
D802,487 S *	11/2017	Petrov	D12/111
D843,893 S *	3/2019	Reiter	D12/111
D858,359 S *	9/2019	Lentz	D12/111
D865,574 S *	11/2019	Russell	D12/111

(Continued)

OTHER PUBLICATIONS

“Porsche Teases New Generation of Electric-Assist Bicycle” Porsche.,
posted date Mar. 7, 2018 [online], [retrieved on Mar. 24, 2021].
Retrieved from the Internet <URL:https://flatsixes.com/cars/electric-
porsche/porsche-teases-new-generation-electric-assist-bicycle/> (Year:
2018).*

(Continued)

Primary Examiner — Darlington Ly

Assistant Examiner — Nasim Abdulaziz Ali

(74) *Attorney, Agent, or Firm* — RatnerPrestia

(57) **CLAIM**

The ornamental design for a bicycle frame, as shown and
described.

DESCRIPTION

FIG. 1 is a front perspective view of a bicycle embodying
our new design;

FIG. 2 is a front perspective view thereof;

FIG. 3 is a front elevation view thereof;

FIG. 4 is a rear elevation view thereof;

FIG. 5 is a left side elevation view thereof;

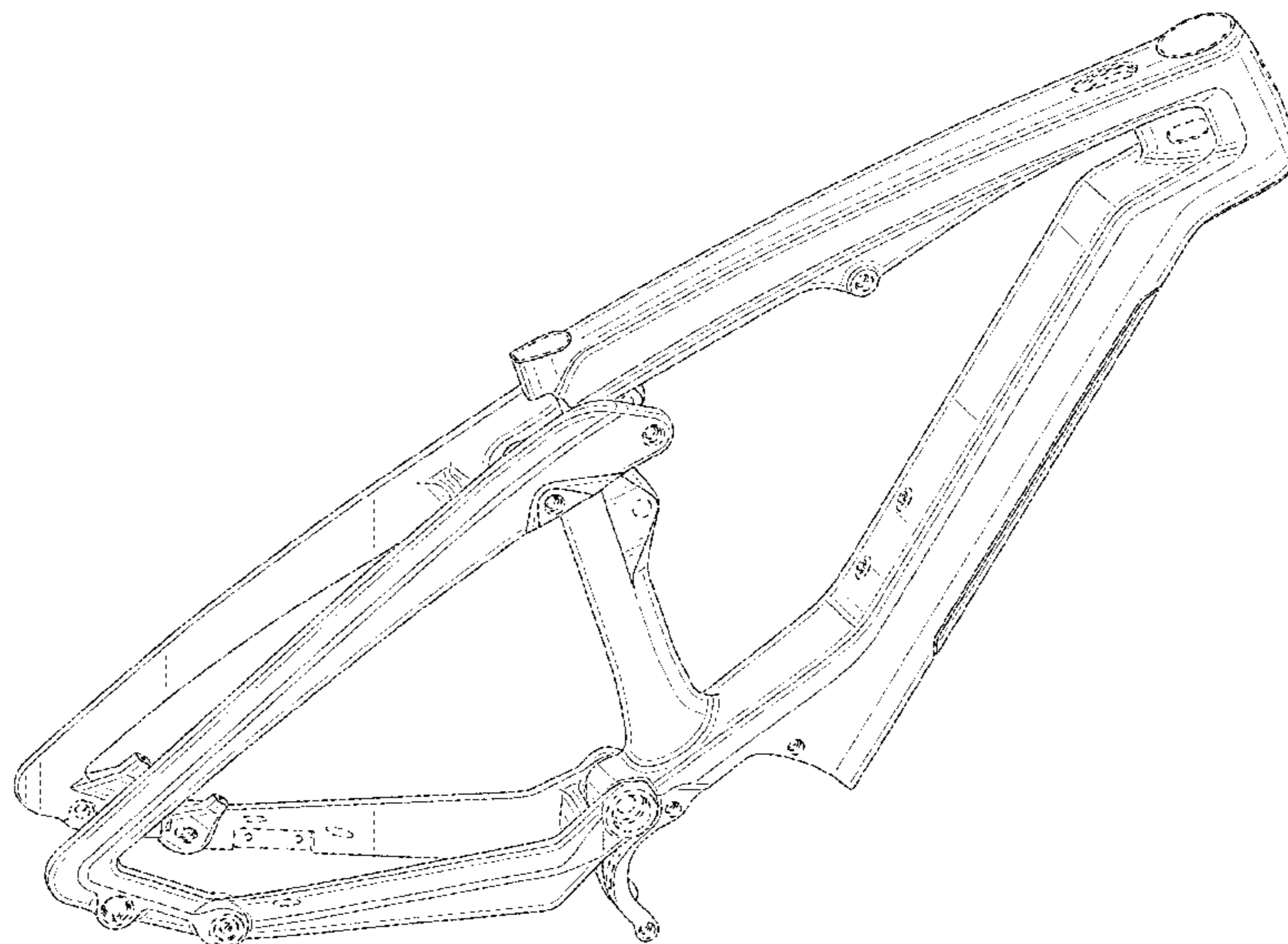
FIG. 6 is a right side elevation view thereof;

FIG. 7 is a top plan view thereof; and,

FIG. 8 is a bottom plan view thereof.

The broken lines in the drawings illustrate portions of the
bicycle frame that form no part of the claimed design.

1 Claim, 8 Drawing Sheets



(56)

References Cited

U.S. PATENT DOCUMENTS

D885,986 S * 6/2020 Chan D12/111
10,737,740 B2 * 8/2020 D'Aluisio B62K 21/04
D904,234 S * 12/2020 von Schoning D12/111
D906,890 S * 1/2021 Duez D12/111
D906,893 S * 1/2021 Lin D12/111
D908,046 S * 1/2021 Callahan D12/111
D909,257 S * 2/2021 Munoz D12/111
D909,921 S * 2/2021 Stafford D12/111

OTHER PUBLICATIONS

“Porsche eBike X+” Porsche., posted date Jul. 30, 2019 [online], [retrieved on Mar. 24, 2021]. Retrieved from the Internet <URL:https://ebike-mtb.com/en/porsche-ebike-x/ (Year: 2019).*

“Porsche unveils a pair of ridiculously expensive electric bikes” Porsche., posted date Mar. 4, 2021 [online], [retrieved on Mar. 24, 2021]. Retrieved from the Internet <URL:https://www.theverge.com/2021/3/4/22313508/porsche-electric-bike-ebike-sport-cross-specs-price> (Year: 2021).*

Design U.S. Appl. No. 29/663,353, by Schöning, filed Sep. 14, 2018.

Design U.S. Appl. No. 29/663,408, by Schöning, filed Sep. 14, 2018.

Design U.S. Appl. No. 29/663,365, by Schöning, filed Sep. 14, 2018.

* cited by examiner

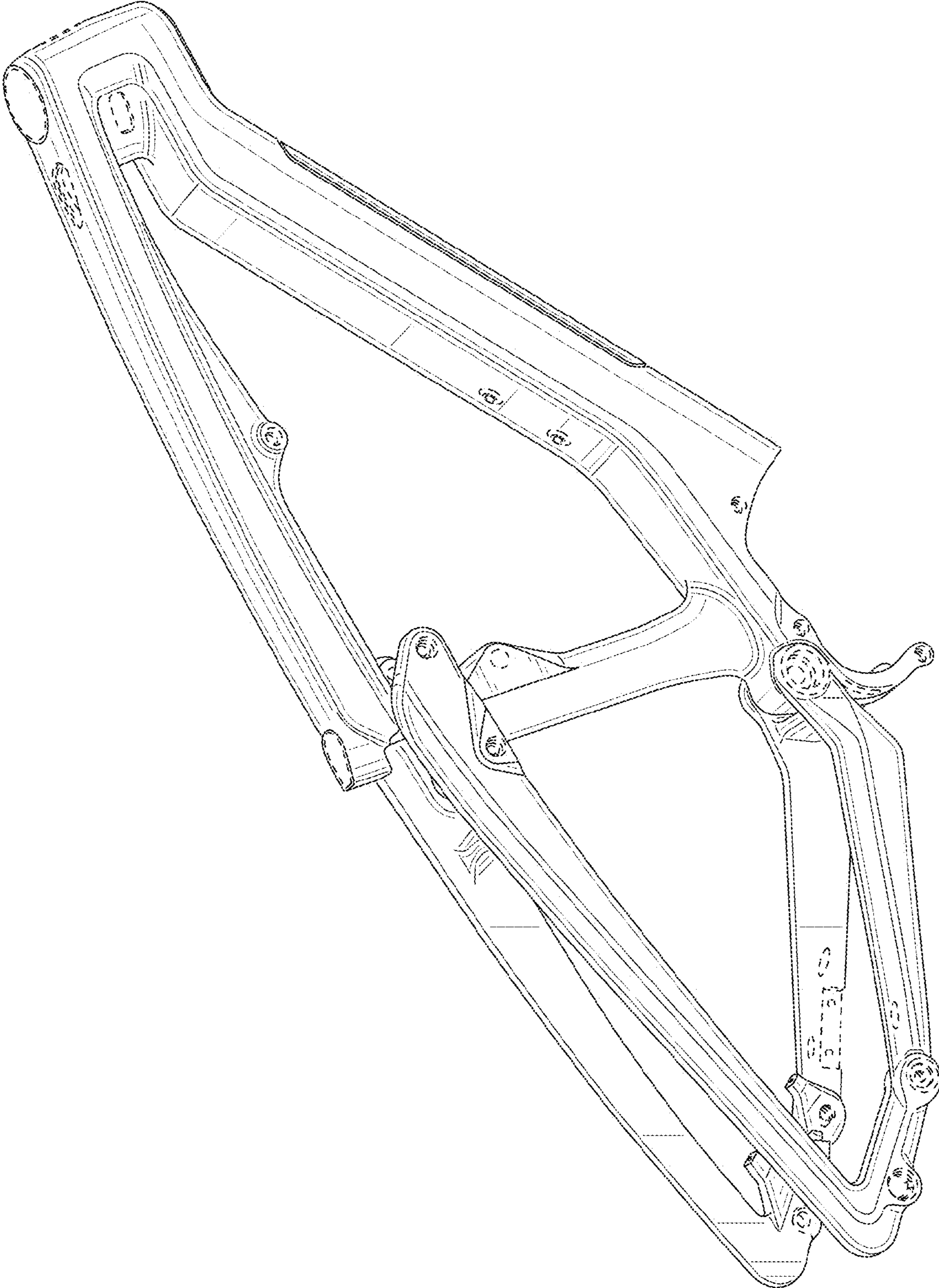


FIG. 1

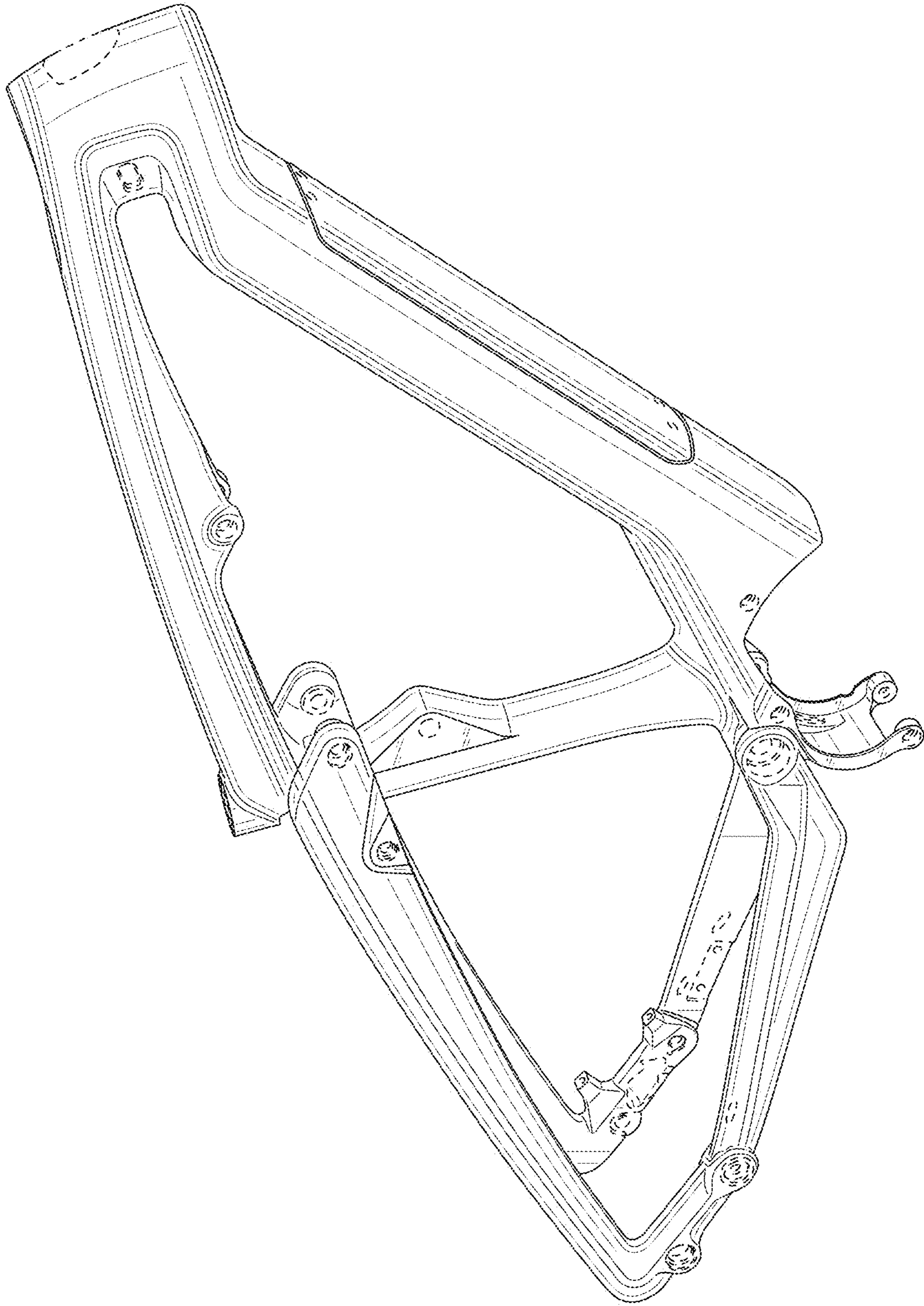


FIG. 2

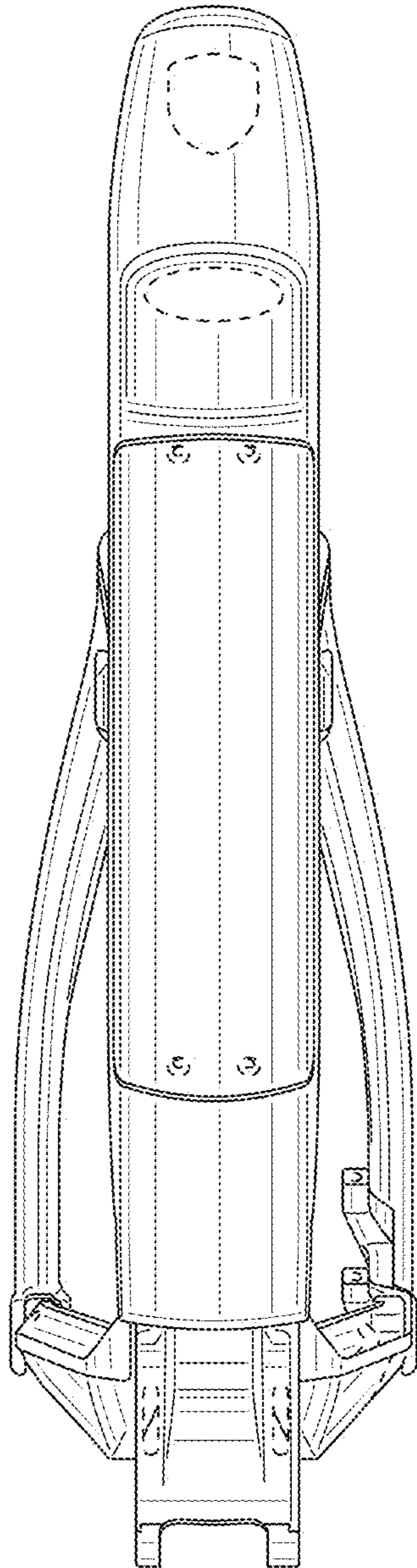


FIG. 3

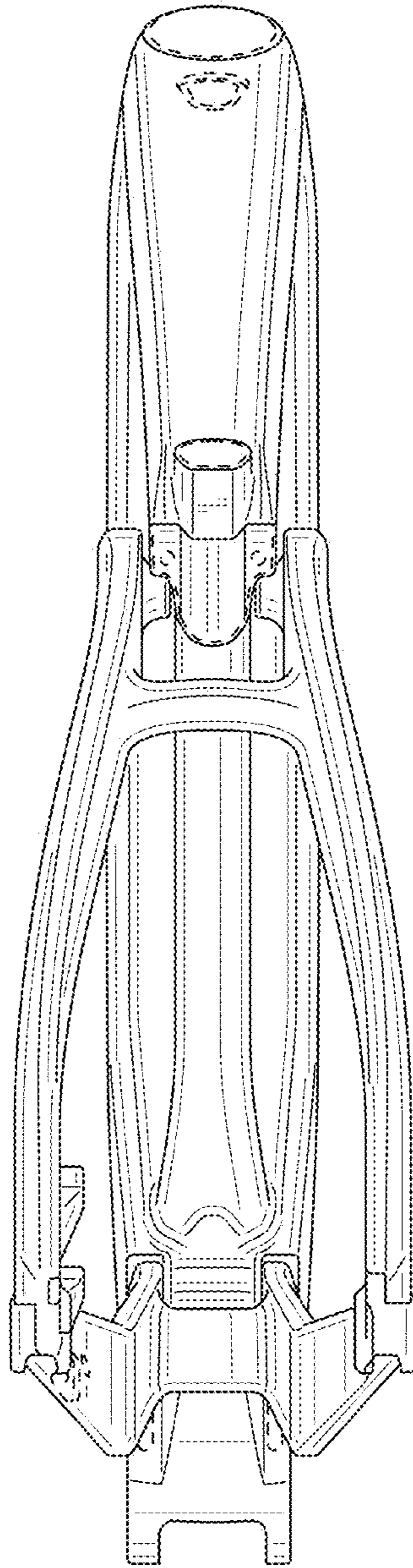


FIG. 4

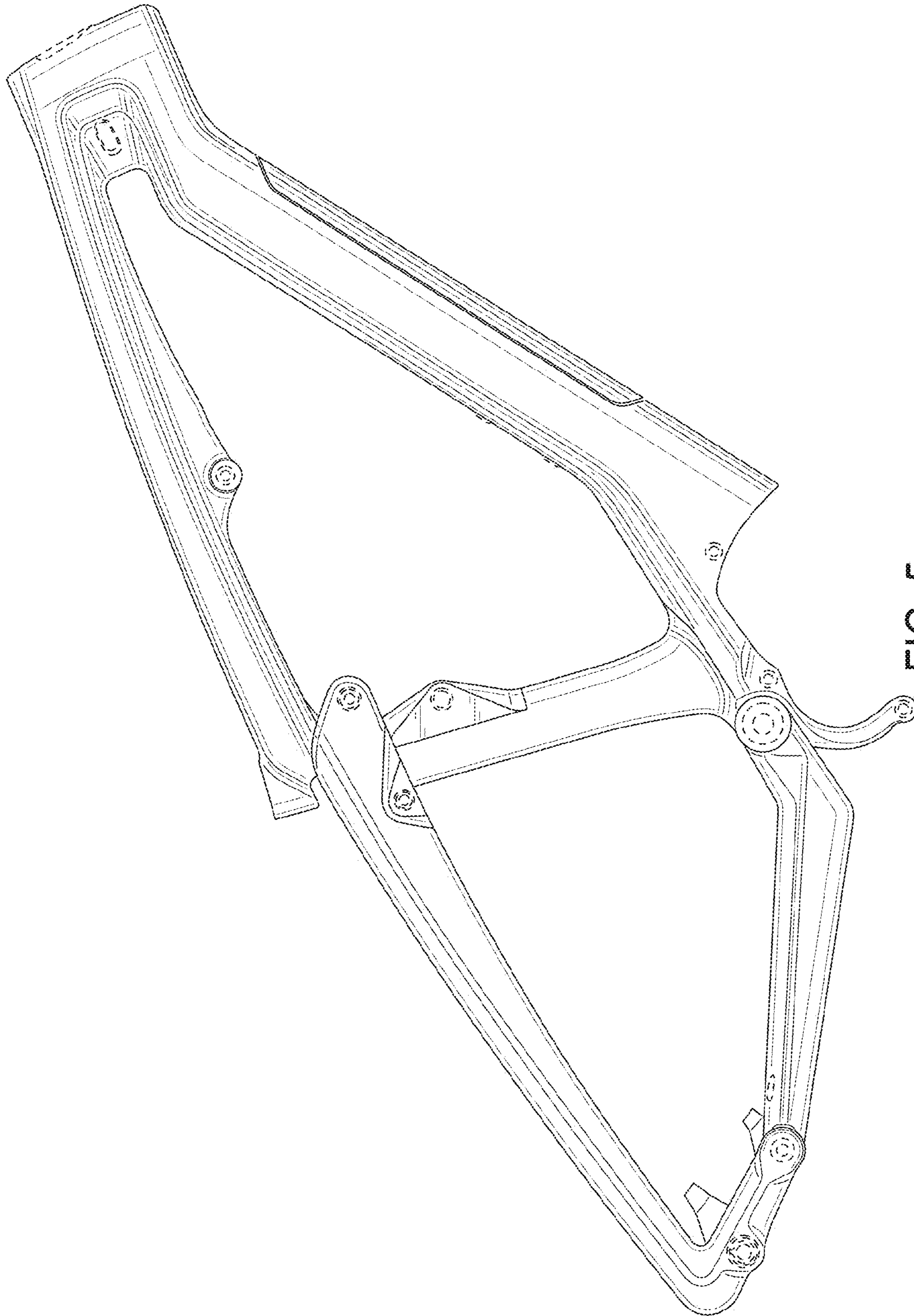


FIG. 5

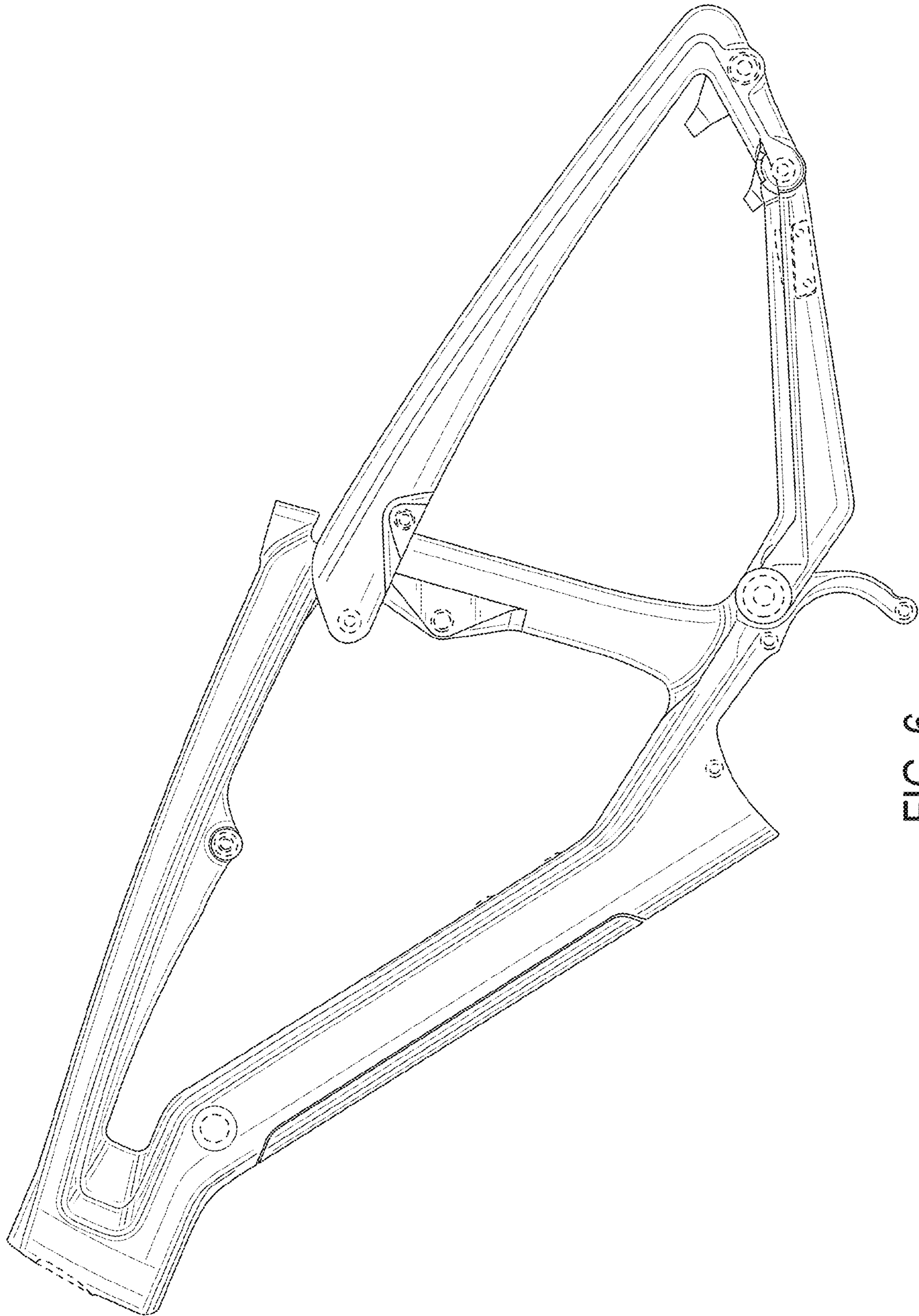


FIG. 6

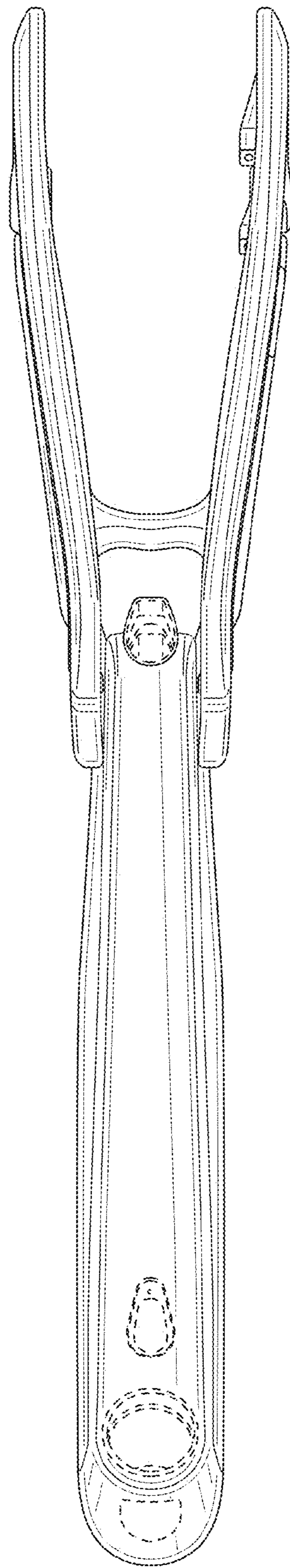


FIG. 7

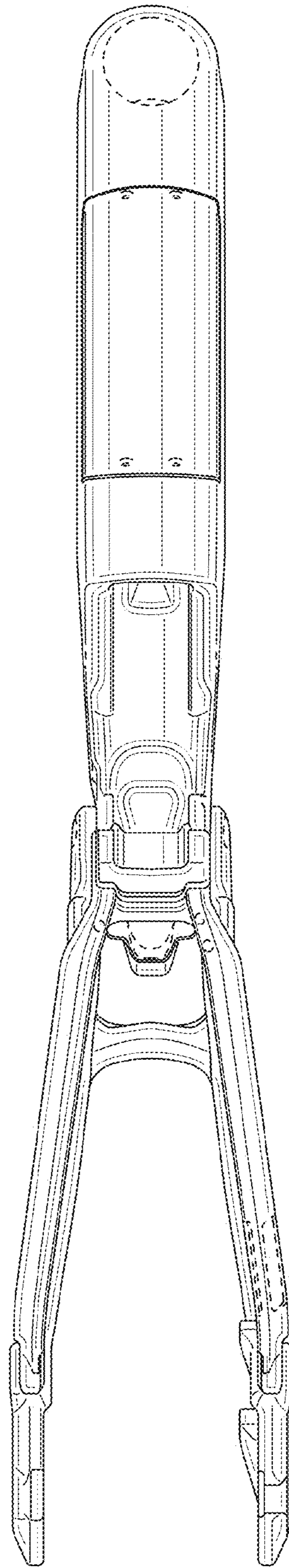


FIG. 8