



US00D918779S

(12) **United States Design Patent** (10) **Patent No.:** **US D918,779 S**  
**Hsieh** (45) **Date of Patent:** **\*\* May 11, 2021**

(54) **BALANCE BIKE**  
(71) Applicant: **Melody Hsieh**, City of Industry, CA  
(US)  
(72) Inventor: **Melody Hsieh**, City of Industry, CA  
(US)

D804,366 S \* 12/2017 Wunderlin ..... D12/111  
D825,395 S \* 8/2018 Gafni ..... D12/111  
D828,786 S \* 9/2018 Baker ..... D12/111  
D842,168 S \* 3/2019 Garklavs ..... D12/111  
D846,449 S \* 4/2019 Song ..... D12/111  
D864,796 S \* 10/2019 Grossjohann ..... D12/111  
D888,838 S \* 6/2020 De Roeck ..... D21/426

(Continued)

(\*\*) Term: **15 Years**

**OTHER PUBLICATIONS**

(21) Appl. No.: **29/712,090**

“Mobo Explorer Balance Bike” Mobo., posted date Nov. 16, 2019 [online], [retrieved on Mar. 25, 2021]. Retrieved from the Internet <URL:https://www.mobocruiser.com/MoboExplorerBalanceBike-p/tri-103.htm> (Year: 2019).\*

(22) Filed: **Nov. 5, 2019**

(Continued)

(51) **LOC (13) Cl.** ..... **12-11**

(52) **U.S. Cl.**  
USPC ..... **D12/111**

(58) **Field of Classification Search**  
USPC ..... D12/111; D21/412, 414, 419, 423–428,  
D21/431–435  
CPC ... B62K 3/00; B62K 3/02; B62K 3/06; B62K  
9/00; B62K 19/14  
See application file for complete search history.

*Primary Examiner* — Darlington Ly  
*Assistant Examiner* — Nasim Abdulaziz Ali  
(74) *Attorney, Agent, or Firm* — The Rapacke Law Group P.A.

(57) **CLAIM**

The ornamental design for a balance bike, as shown and described.

(56) **References Cited**

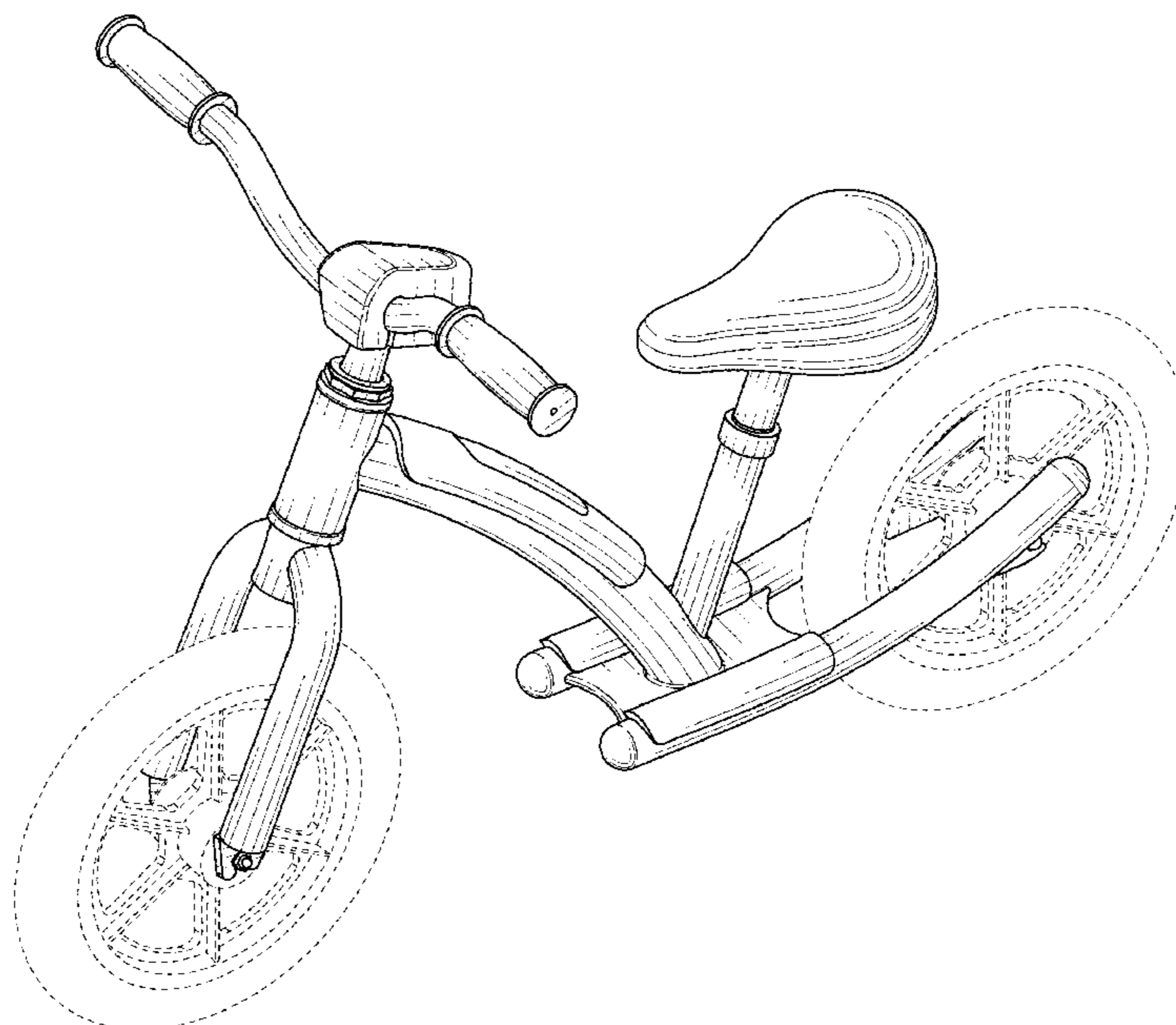
**DESCRIPTION**

**U.S. PATENT DOCUMENTS**

D512,664 S \* 12/2005 Schreier ..... D12/111  
D597,147 S \* 7/2009 Verlinden ..... D21/424  
D659,597 S \* 5/2012 Chen ..... B62K 9/00  
D12/111  
D695,847 S \* 12/2013 Liu ..... D21/432  
8,794,654 B1 \* 8/2014 Chen ..... B62K 9/00  
280/287  
D721,990 S \* 2/2015 Lugo ..... B62K 9/00  
D12/111  
D735,620 S \* 8/2015 Pape ..... B62K 9/00  
D12/111  
D797,201 S \* 9/2017 Wu ..... D21/432  
D803,728 S \* 11/2017 Kamler ..... D12/111  
D804,365 S \* 12/2017 Wunderlin ..... D12/111

FIG. 1 is a perspective view of the balance bike, showing the new design;  
FIG. 2 is a front elevational view of the balance bike thereof;  
FIG. 3 is a rear elevational view of the balance bike thereof;  
FIG. 4 is a right side elevational view of the balance bike thereof;  
FIG. 5 is a left side elevational view of the balance bike thereof;  
FIG. 6 is a top plan view of the balance bike thereof; and,  
FIG. 7 is a bottom plan view of the balance bike thereof.  
The broken lines in the drawings illustrate portions of the balance bike that form no part of the claimed design.

**1 Claim, 7 Drawing Sheets**



(56)

**References Cited**

U.S. PATENT DOCUMENTS

D891,305 S \* 7/2020 Manton ..... D12/111  
D900,681 S \* 11/2020 Liu ..... D12/111  
D906,184 S \* 12/2020 Liao ..... D12/111  
D910,767 S \* 2/2021 Yang ..... D21/432  
2013/0020777 A1\* 1/2013 Chen ..... B62K 9/00  
280/87.021

OTHER PUBLICATIONS

“Mobo Explorer Balance Bike” Mobo., posted date Jul. 3, 2018 [online], [retrieved on Mar. 25, 2021]. Retrieved from the Internet <URL:https://www.walmart.com/ip/Mobo-Explorer-Balance-Bike/779945207> (Year: 2018).\*

“Mobo Explorer (Red)” Mobo., posted date Oct. 18, 2020 [online], [retrieved on Mar. 25, 2021]. Retrieved from the Internet <URL:https://www.amazon.com/Mobo-Cruiser-Explorer-No-Pedal-Tri-103R/dp/B084ZXP4Y/ref=sr\_1\_1?dchild=1&keywords=Mobo%2BExplorer%2BBalance%2BBike&qid=1616703883&sr=8-1&th=1> (Year: 2020).\*

\* cited by examiner

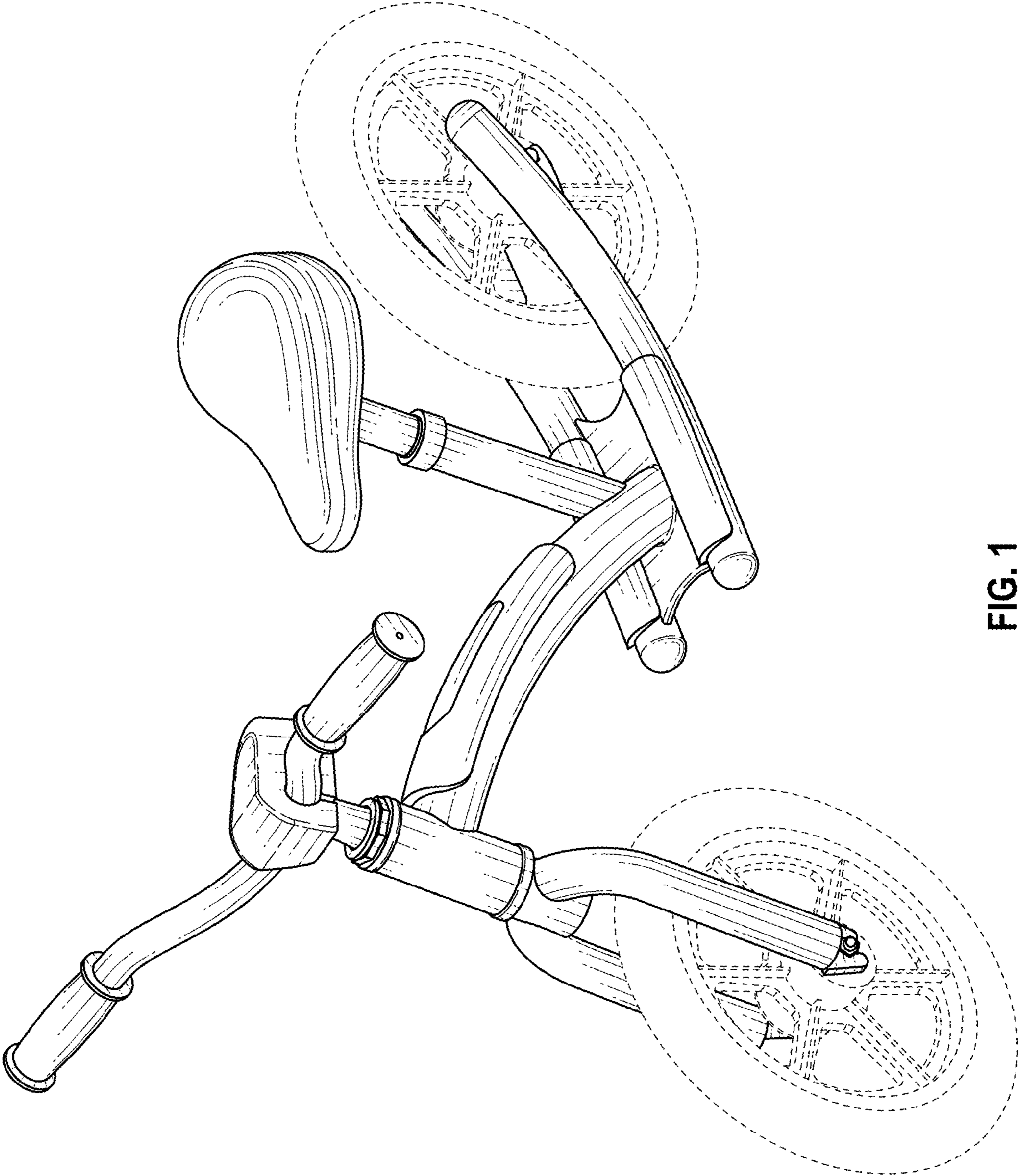


FIG. 1

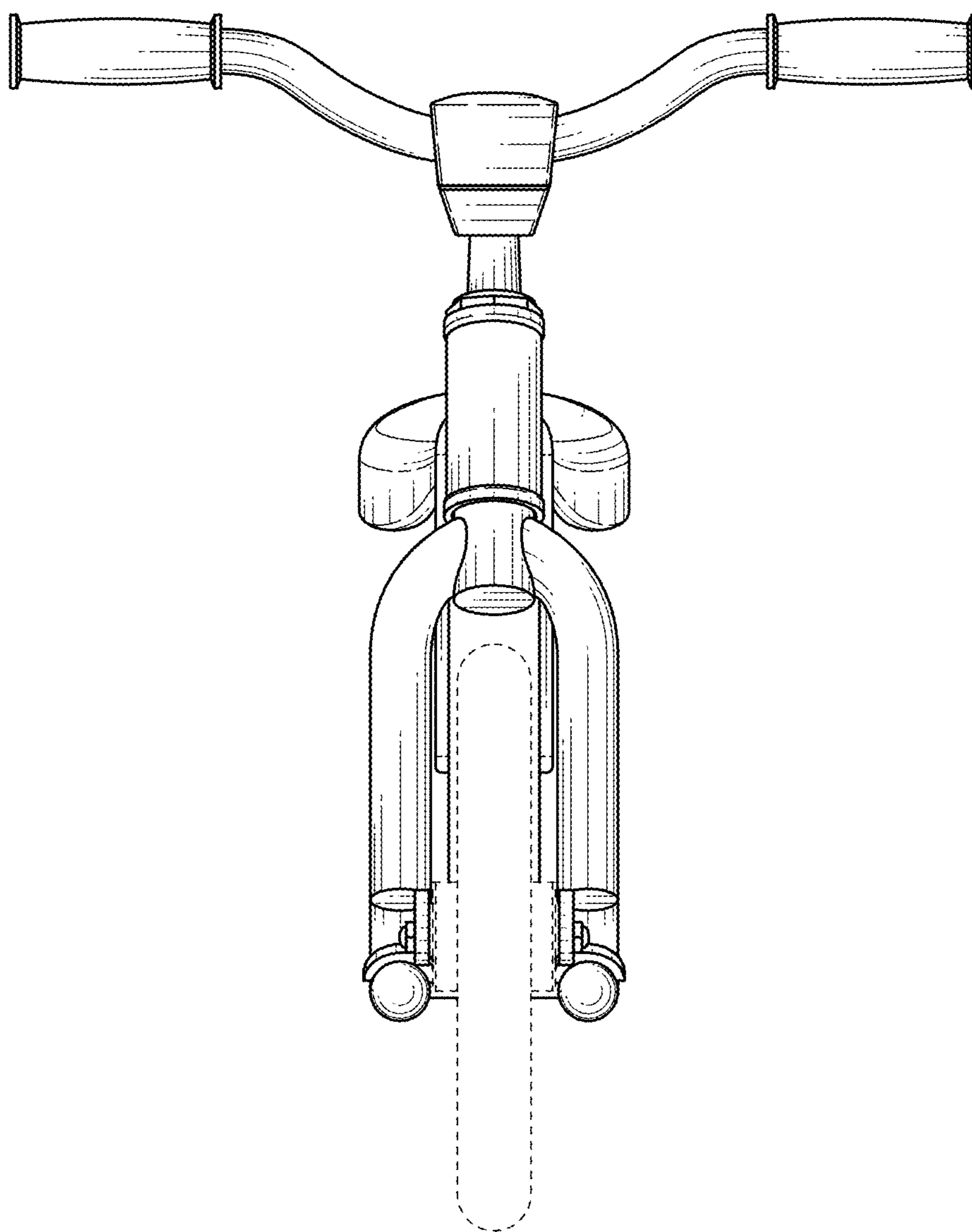


FIG. 2

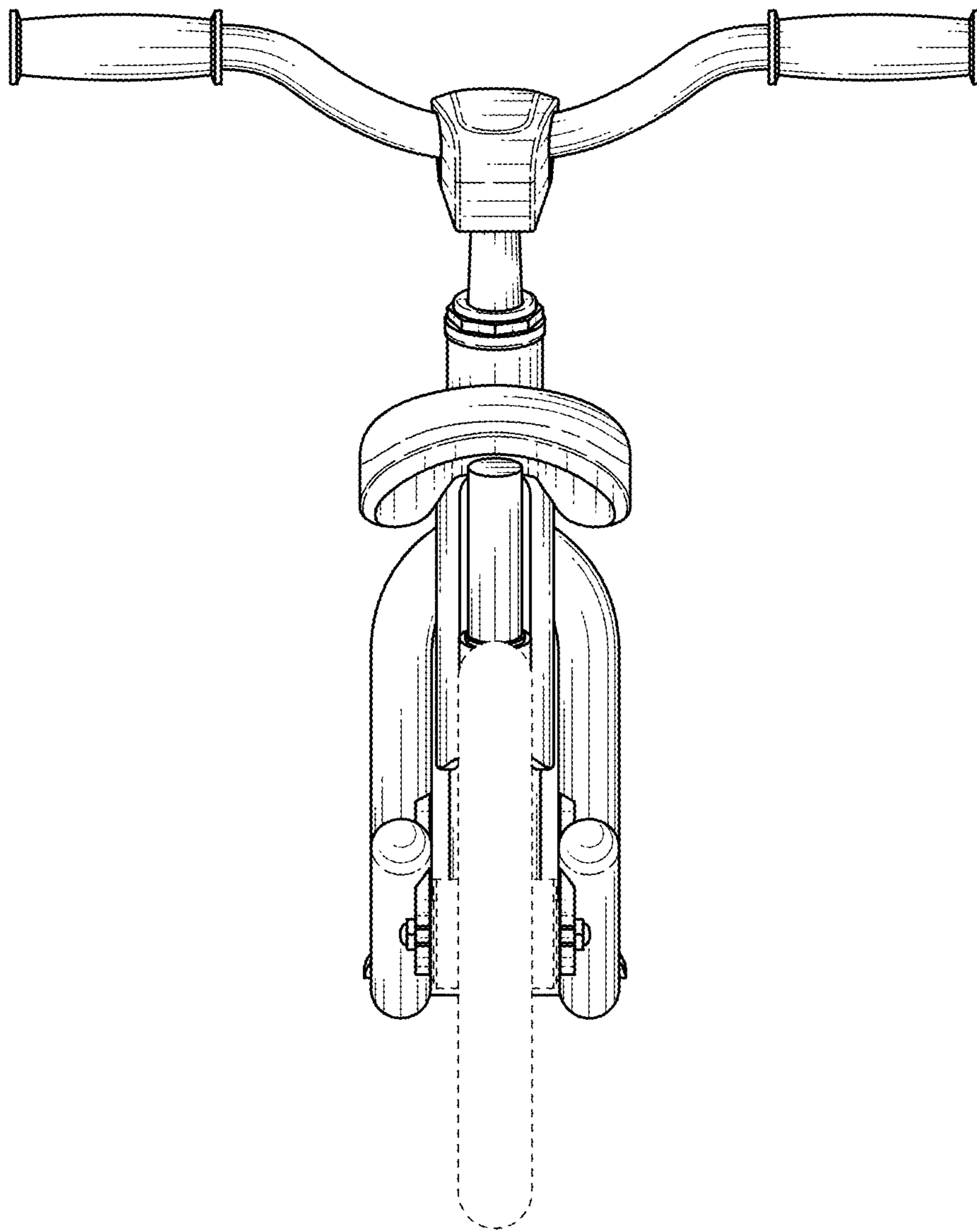


FIG. 3

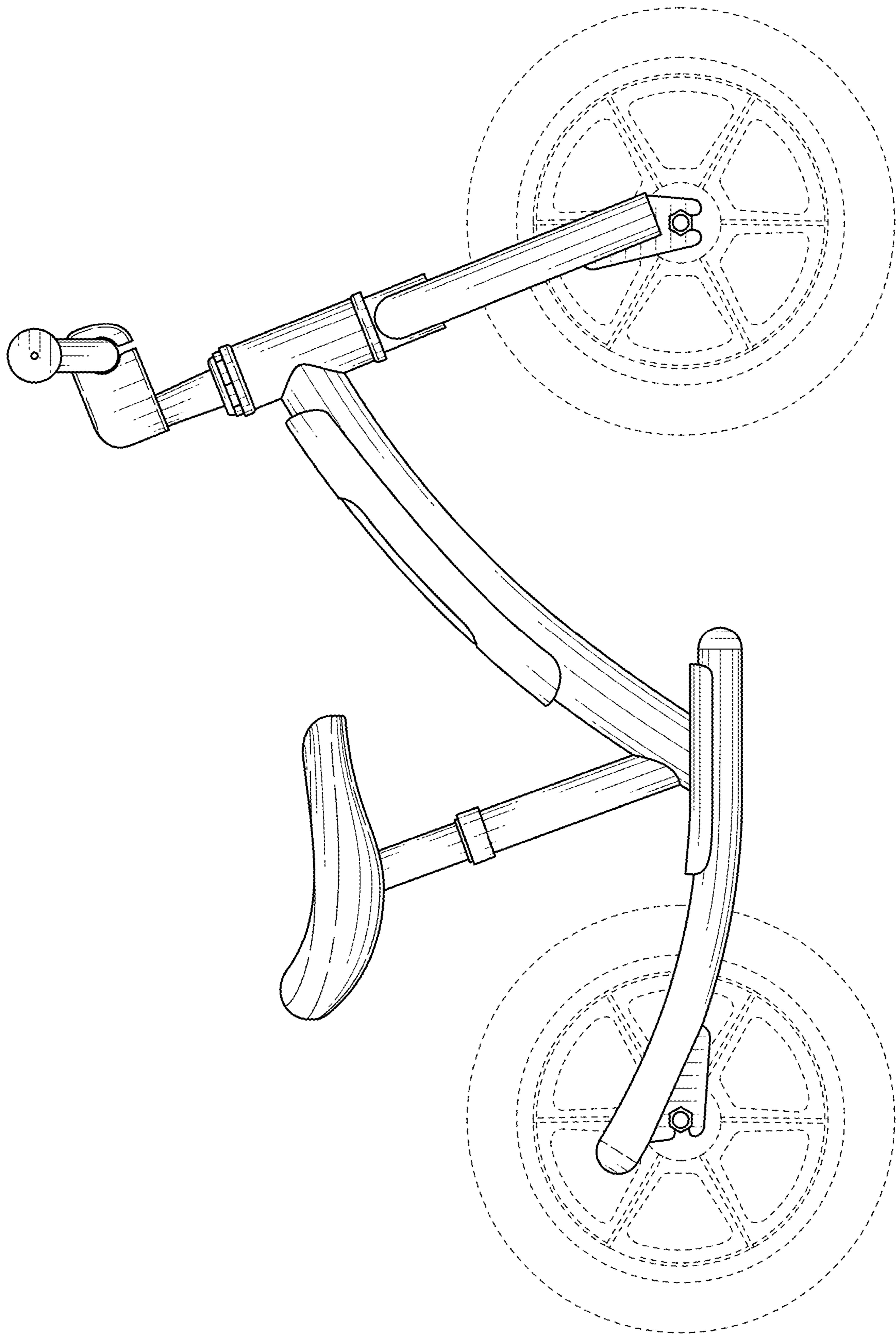


FIG. 4

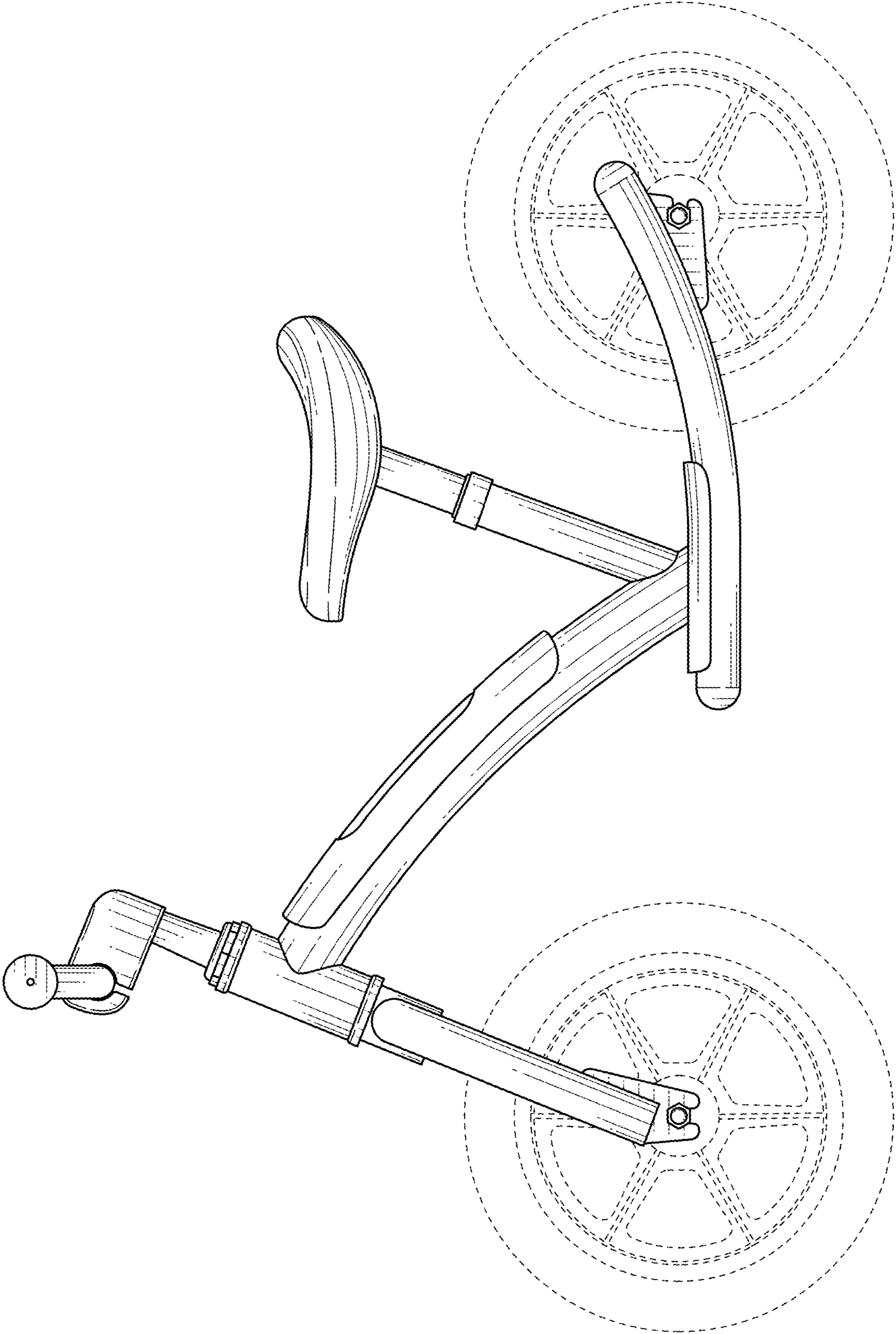


FIG. 5

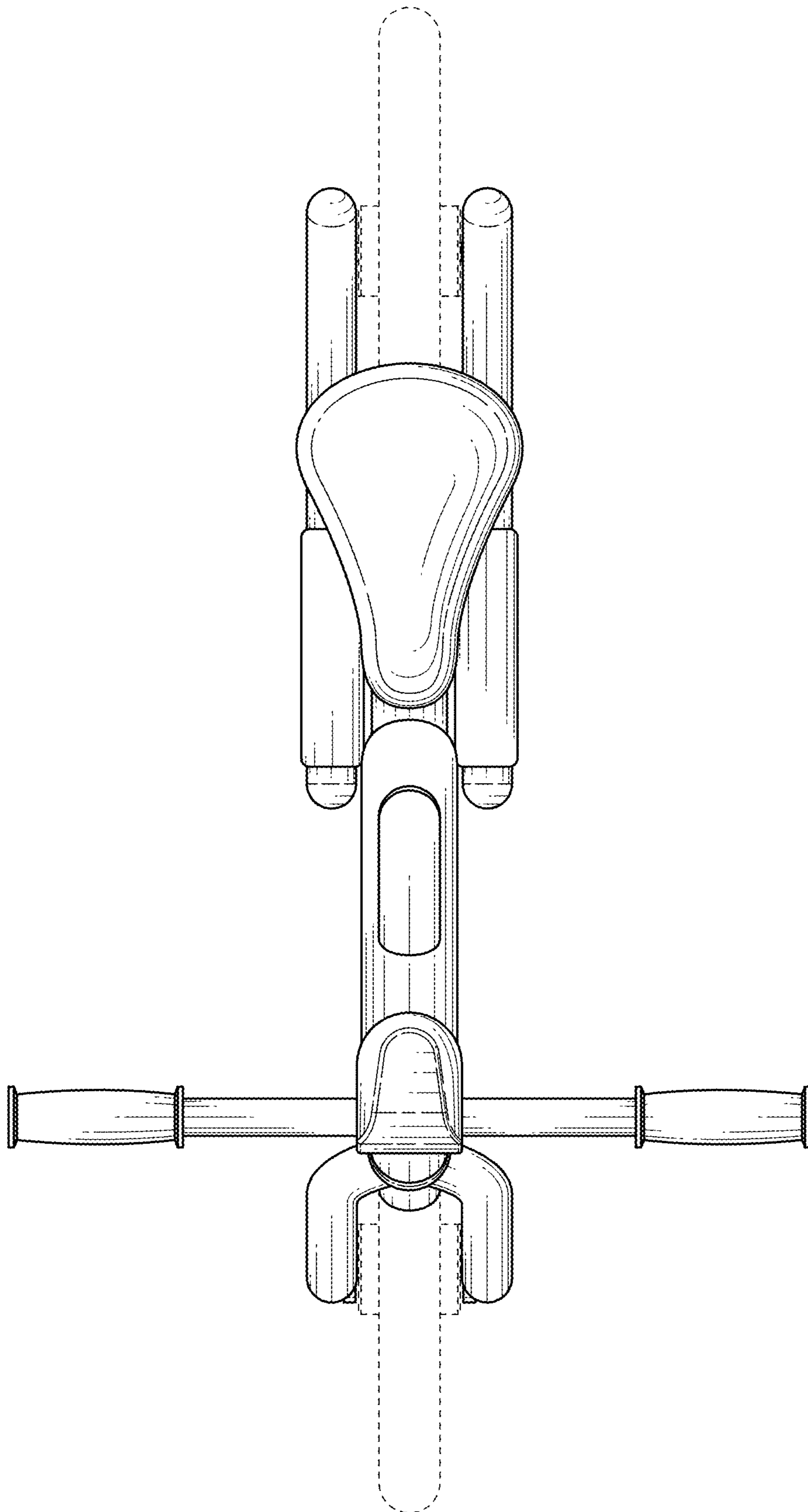


FIG. 6



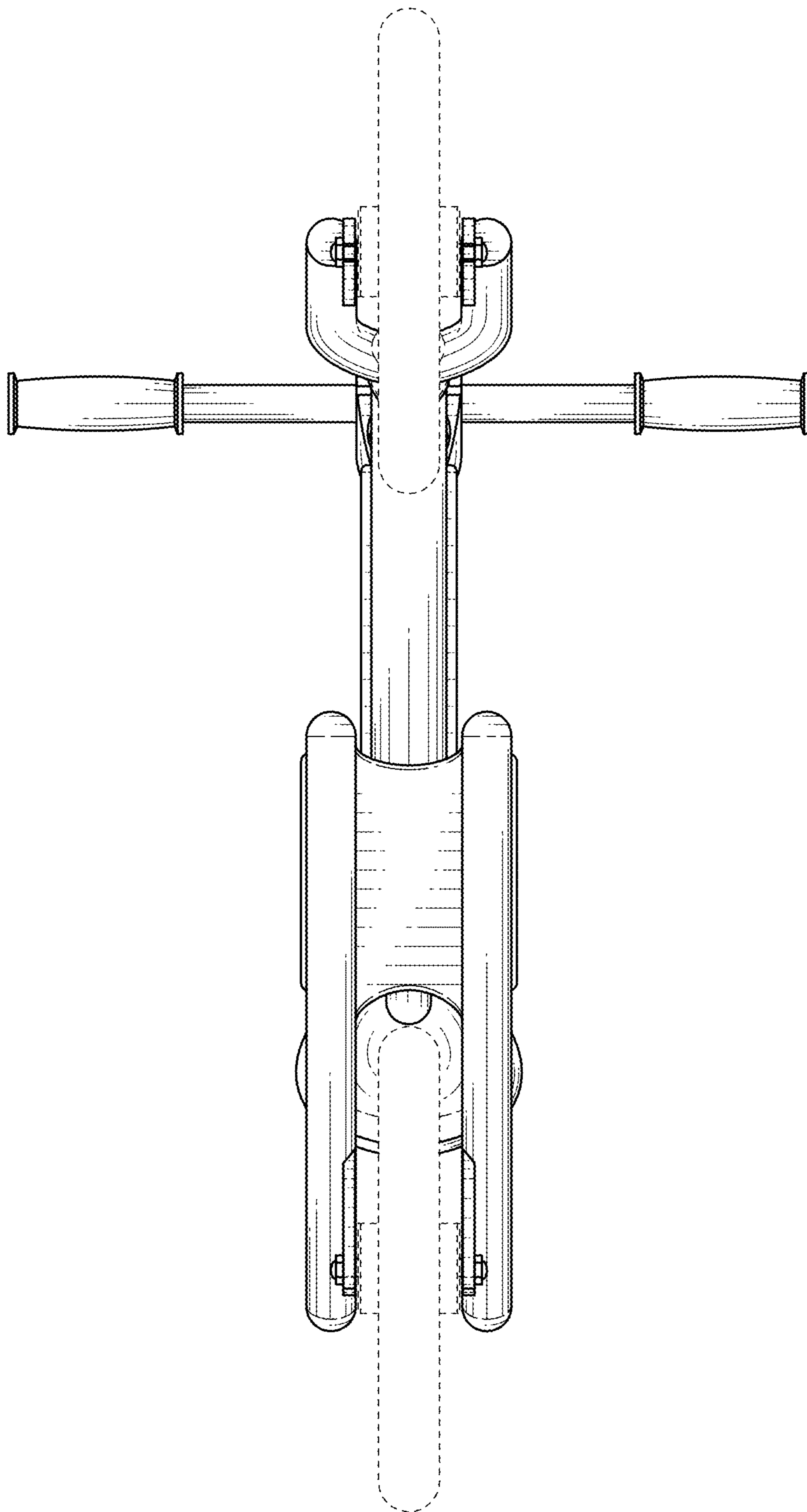


FIG. 7