



US00D918778S

(12) **United States Design Patent**
Shi et al.

(10) **Patent No.:** **US D918,778 S**

(45) **Date of Patent:** **** May 11, 2021**

(54) **ELECTRIC BICYCLE**

(71) Applicant: **Shenzhen Concepts Wit Technology Co., Ltd**, Guangdong (CN)

(72) Inventors: **Cheng Shi**, Shenzhen (CN); **Hengfei Tao**, Haozhou (CN)

(**) Term: **15 Years**

(21) Appl. No.: **29/707,587**

(22) Filed: **Sep. 30, 2019**

(30) **Foreign Application Priority Data**

Aug. 21, 2019 (CN) 201930454370.6

(51) **LOC (13) Cl.** **12-11**

(52) **U.S. Cl.**
USPC **D12/111**

(58) **Field of Classification Search**
USPC D12/111, 117, 406, 407
CPC . B62K 3/00; B62K 3/005; B62K 9/00; B62K 19/00; B62K 19/02; B62K 19/04; B62K 19/06; B62K 19/16
See application file for complete search history.

(56) **References Cited**

U.S. PATENT DOCUMENTS

5,836,602	A *	11/1998	Wang	B62K 15/008
					280/287
6,267,401	B1 *	7/2001	De Jong	B62K 15/008
					280/287
D487,234	S *	3/2004	Chen	D12/111
7,156,409	B2 *	1/2007	Chuang	B62K 15/006
					280/278
D617,687	S *	6/2010	Brady	D12/111
9,205,889	B2 *	12/2015	Paick	B62M 6/45
D756,264	S *	5/2016	Thompson	D12/11
9,359,036	B2 *	6/2016	Thompson	B62K 15/008
9,573,646	B2 *	2/2017	Lloyd	B62M 7/06
D795,747	S *	8/2017	Bailie	D12/111

D807,232	S *	1/2018	Bailie	D12/111
D807,233	S *	1/2018	Zhang	D12/111
D814,361	S *	4/2018	Shi	D12/111
D828,231	S *	9/2018	Yan	D12/111
D833,333	S *	11/2018	Yu	D12/111
D833,916	S *	11/2018	Yu	D12/111
10,152,875	B2 *	12/2018	Khaligh	B62M 6/55
10,183,591	B2 *	1/2019	Shieh	B60L 50/64
10,207,758	B2 *	2/2019	Steinhauser	B62H 1/06
D843,269	S *	3/2019	Shi	D12/111

(Continued)

FOREIGN PATENT DOCUMENTS

CN	305274704	S	7/2019
JP	1597252	S	2/2018

(Continued)

OTHER PUBLICATIONS

Electric Assisted Bicycle, Tokusengai, p. 107, vol. 41, No. 10, Sep. 2019, Makino Shuppan Co., Ltd.

Primary Examiner — Darlington Ly

(57) **CLAIM**

The ornamental design for an electric bicycle, as shown and described.

DESCRIPTION

FIG. 1 is a front elevation view of an electric bicycle embodying our new design;
FIG. 2 is a rear elevation view thereof;
FIG. 3 is a left side elevation view thereof;
FIG. 4 is a right side elevation view thereof;
FIG. 5 is a top plan view thereof;
FIG. 6 is a bottom plan view thereof; and,
FIG. 7 is a top, front and left side perspective view thereof.
The broken lines in the drawings illustrate portions of the electric bicycle that form no part of the claimed design.

1 Claim, 7 Drawing Sheets



(56)

References Cited

U.S. PATENT DOCUMENTS

D850,982 S * 6/2019 Zhu D12/111
10,336,395 B2 * 7/2019 Li B62K 21/26
D890,633 S * 7/2020 Zhou D12/111
D897,242 S * 9/2020 Yap D12/111
D898,625 S * 10/2020 Lin D12/111

FOREIGN PATENT DOCUMENTS

TW 492711 S 6/2002
TW 198400 S 7/2019

* cited by examiner

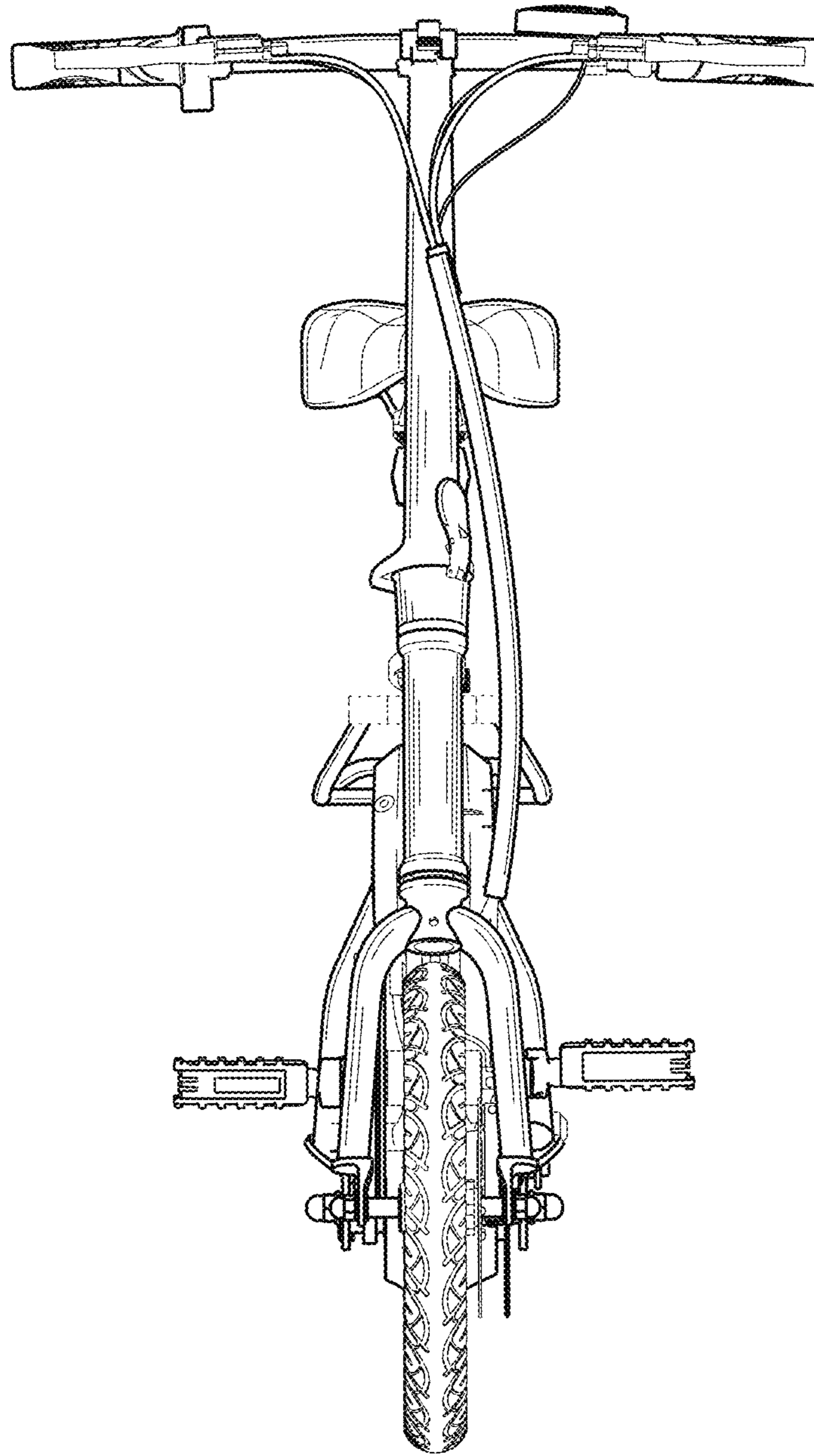


FIG. 1

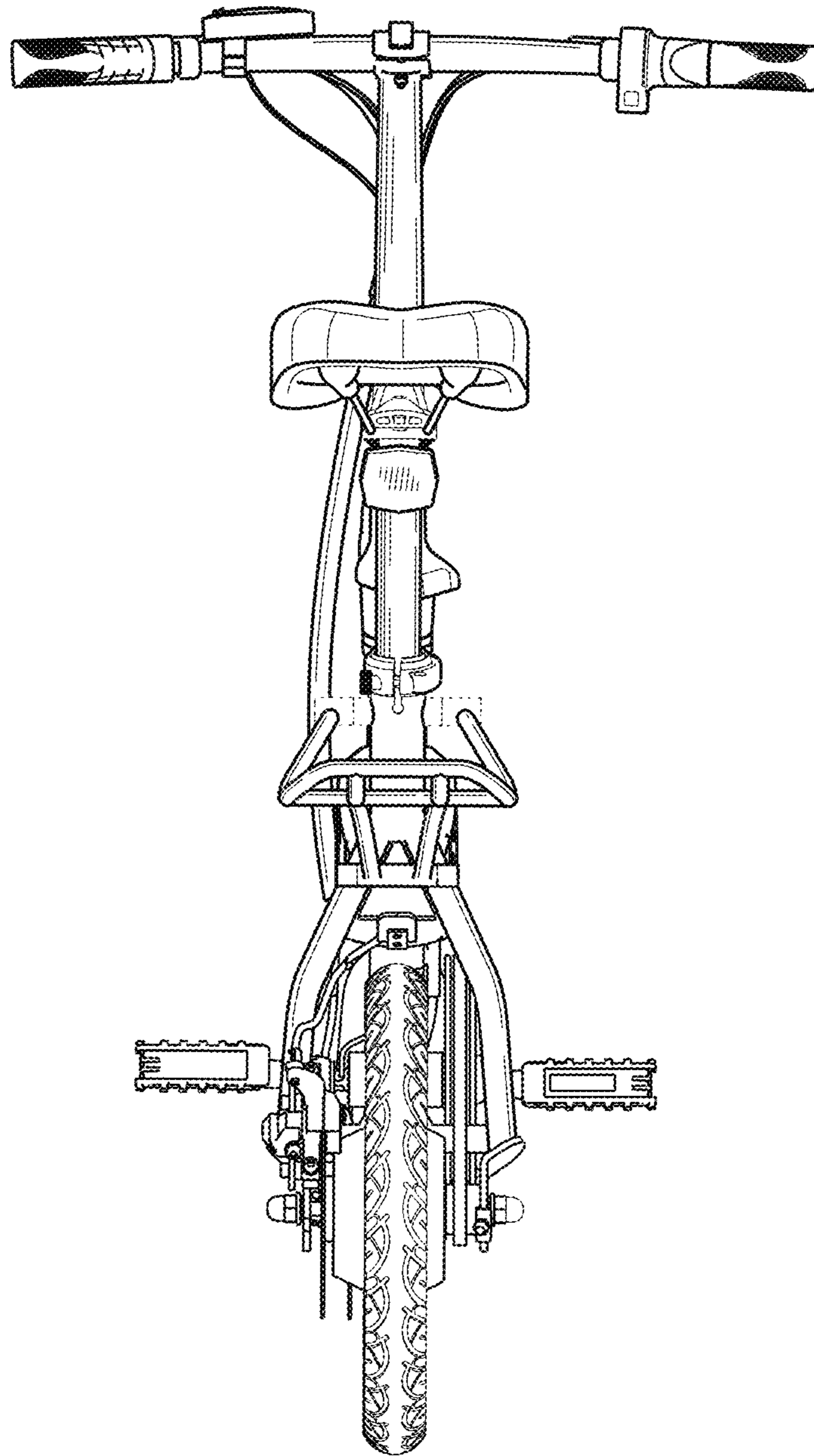


FIG. 2

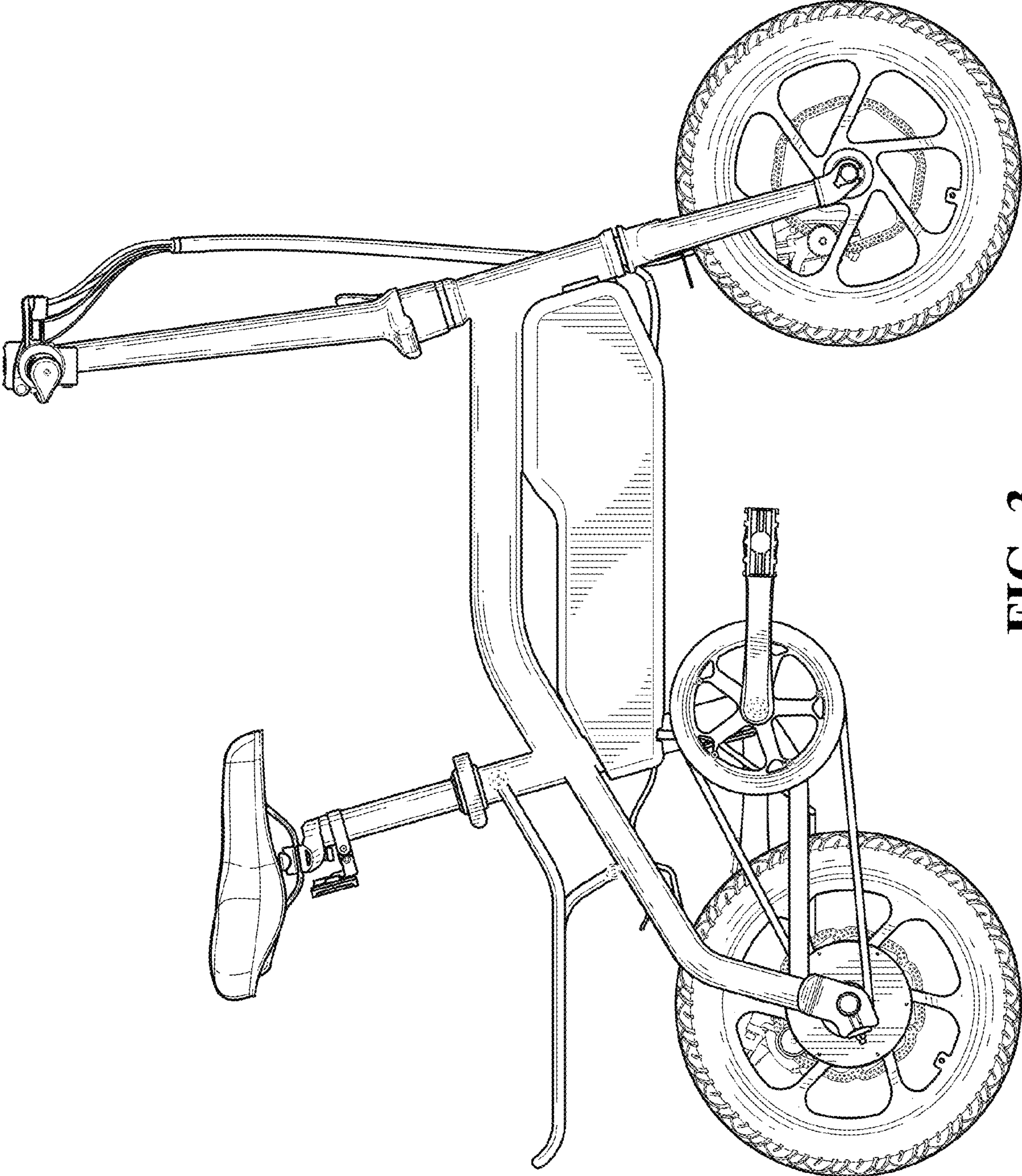


FIG. 3

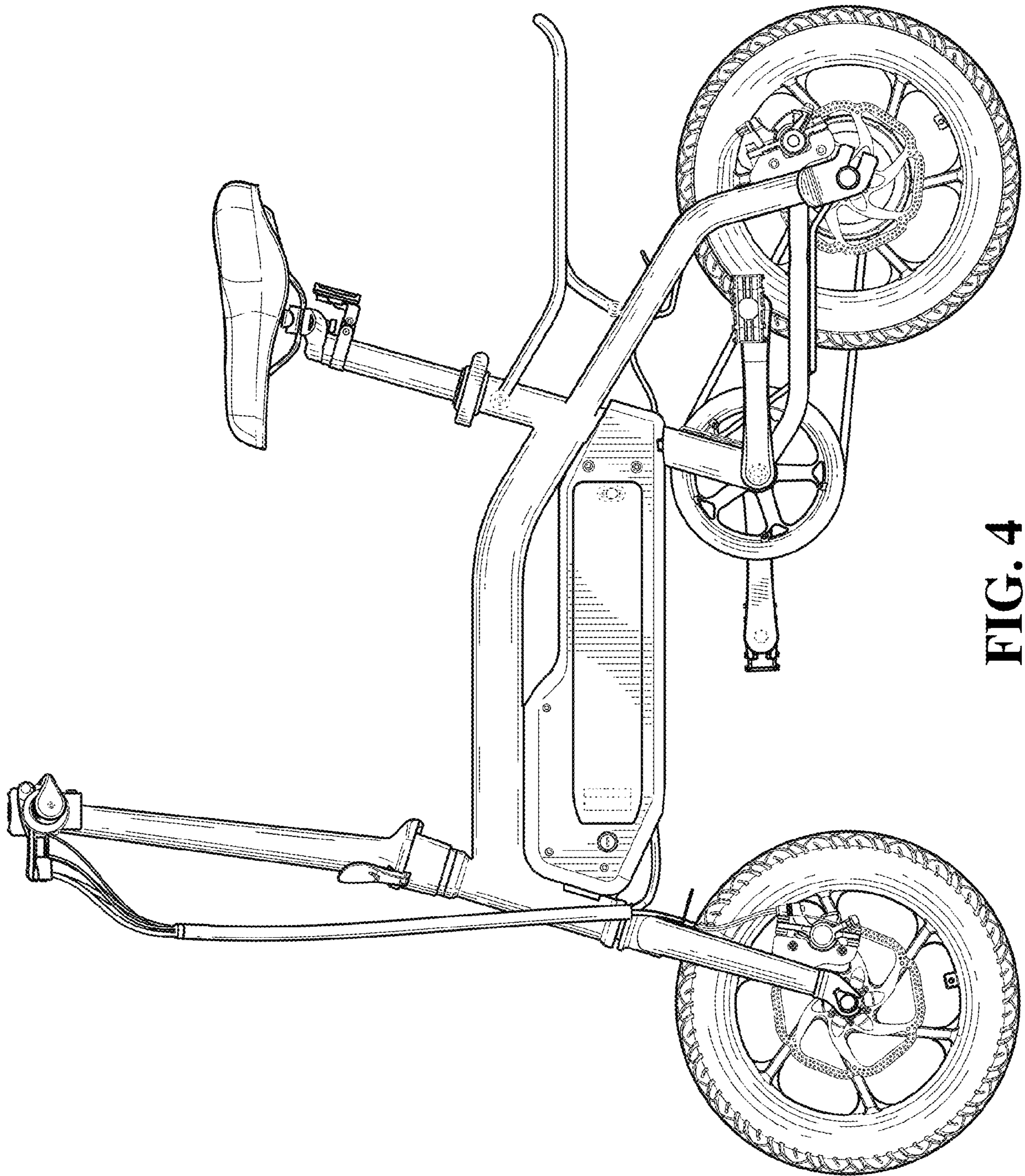


FIG. 4

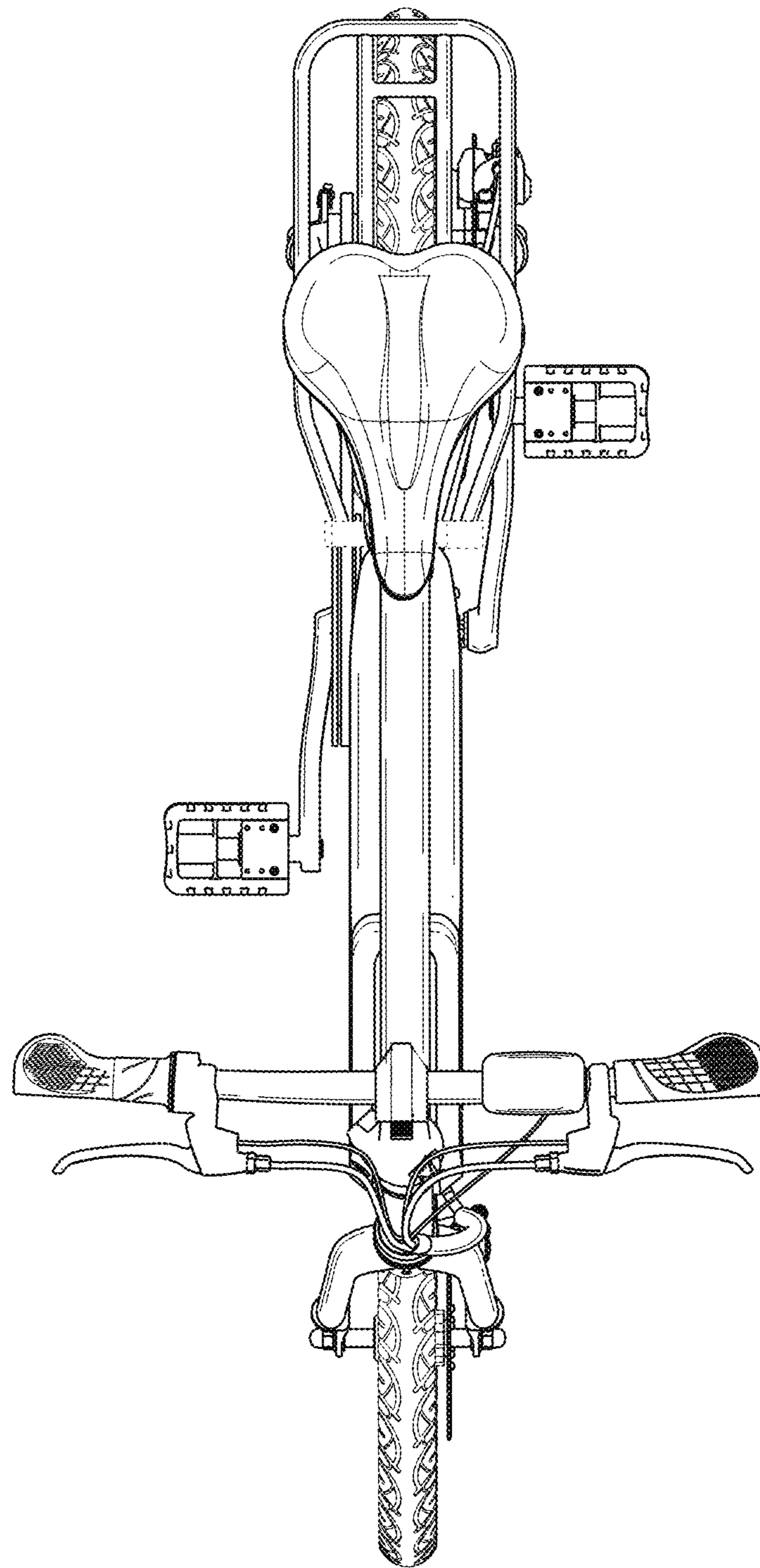


FIG. 5

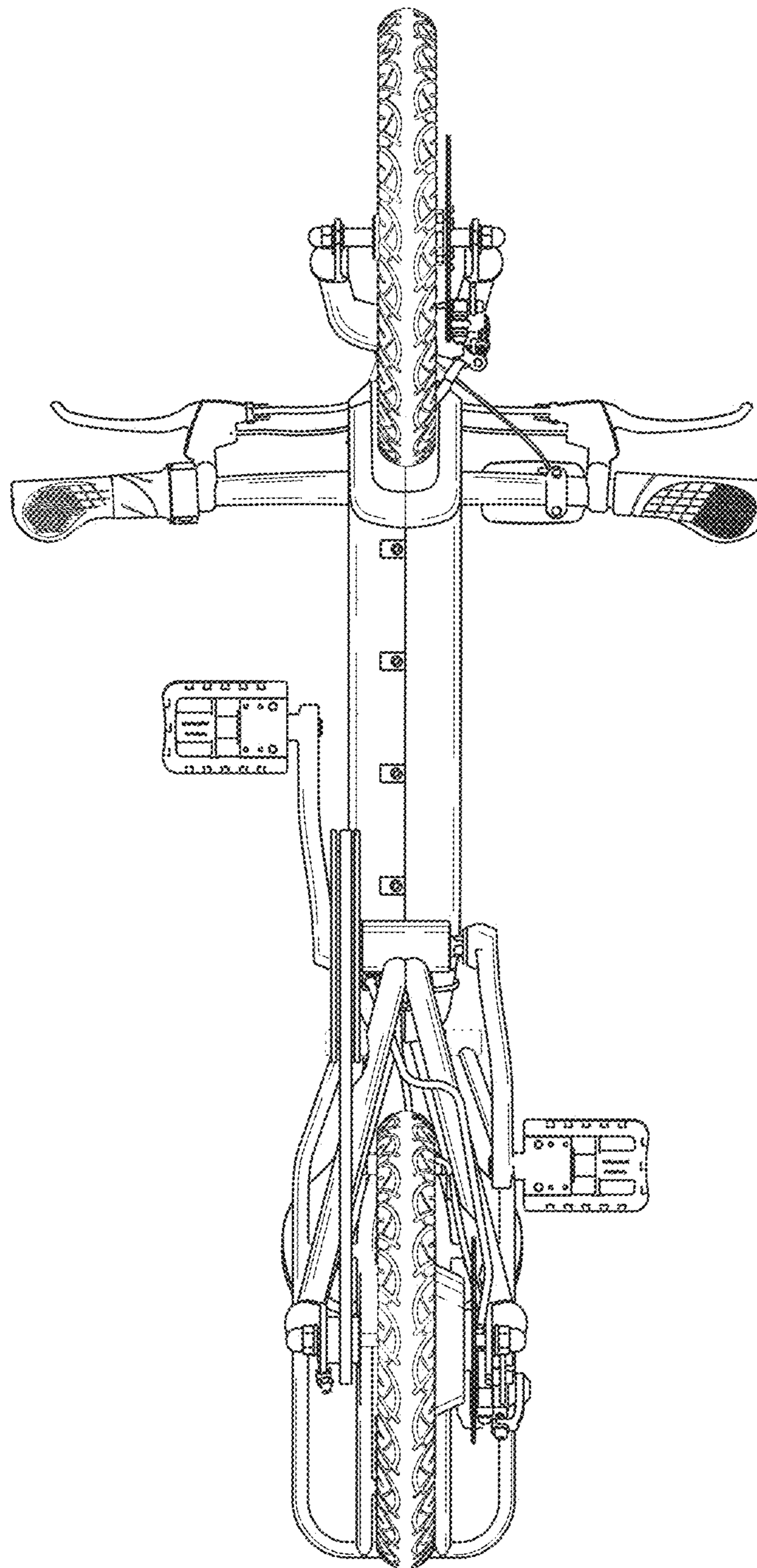


FIG. 6

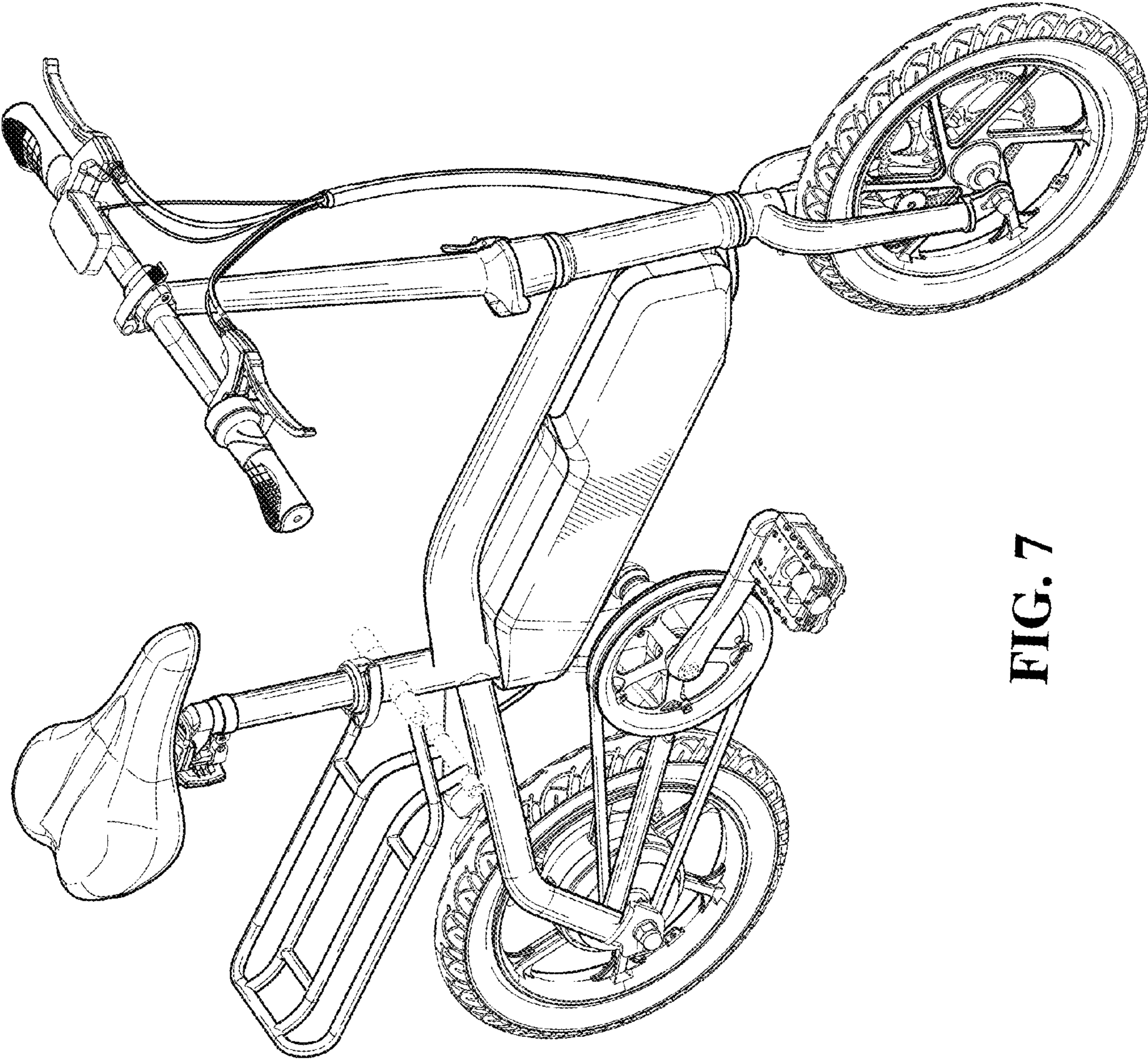


FIG. 7