



US00D918775S

(12) **United States Design Patent**
Frank et al.

(10) **Patent No.:** **US D918,775 S**

(45) **Date of Patent:** **** May 11, 2021**

(54) **MOTOR VEHICLE BODY**

(71) Applicant: **Factory Five Licensing, Inc.**,
Wareham, MA (US)

(72) Inventors: **Phil Frank**, Wareham, MA (US);
James Schenck, Wareham, MA (US)

(73) Assignee: **Factory Five Licensing, INC.**

(**) Term: **15 Years**

(21) Appl. No.: **29/722,434**

(22) Filed: **Jan. 29, 2020**

(51) **LOC (13) Cl.** **12-08**

(52) **U.S. Cl.**
USPC **D12/92**

(58) **Field of Classification Search**
USPC D12/86, 90-92, 88, 164; D21/424, 433,
D21/434; 296/181.1-181.5, 183.1
CPC B62D 25/00; B62D 25/06; B62D 33/00;
B62D 35/00
See application file for complete search history.

(56) **References Cited**

U.S. PATENT DOCUMENTS

D790,399 S * 6/2017 Perini D12/88
D805,435 S * 12/2017 Baum D12/92
D805,437 S * 12/2017 Varga D12/92
D820,165 S * 6/2018 Borkert D12/92

D820,166 S * 6/2018 Borkert D12/92
D833,331 S * 11/2018 Yamashita D12/92
D839,786 S * 2/2019 Baum D12/92
D842,759 S * 3/2019 Baum D12/92
D861,539 S * 10/2019 Schmolz D12/92
D870,823 S * 12/2019 Manzoni D21/548
D872,653 S * 1/2020 Kohrman D12/92

* cited by examiner

Primary Examiner — Melody N Brown

(74) *Attorney, Agent, or Firm* — McInnes & McLane,
LLP

(57) **CLAIM**

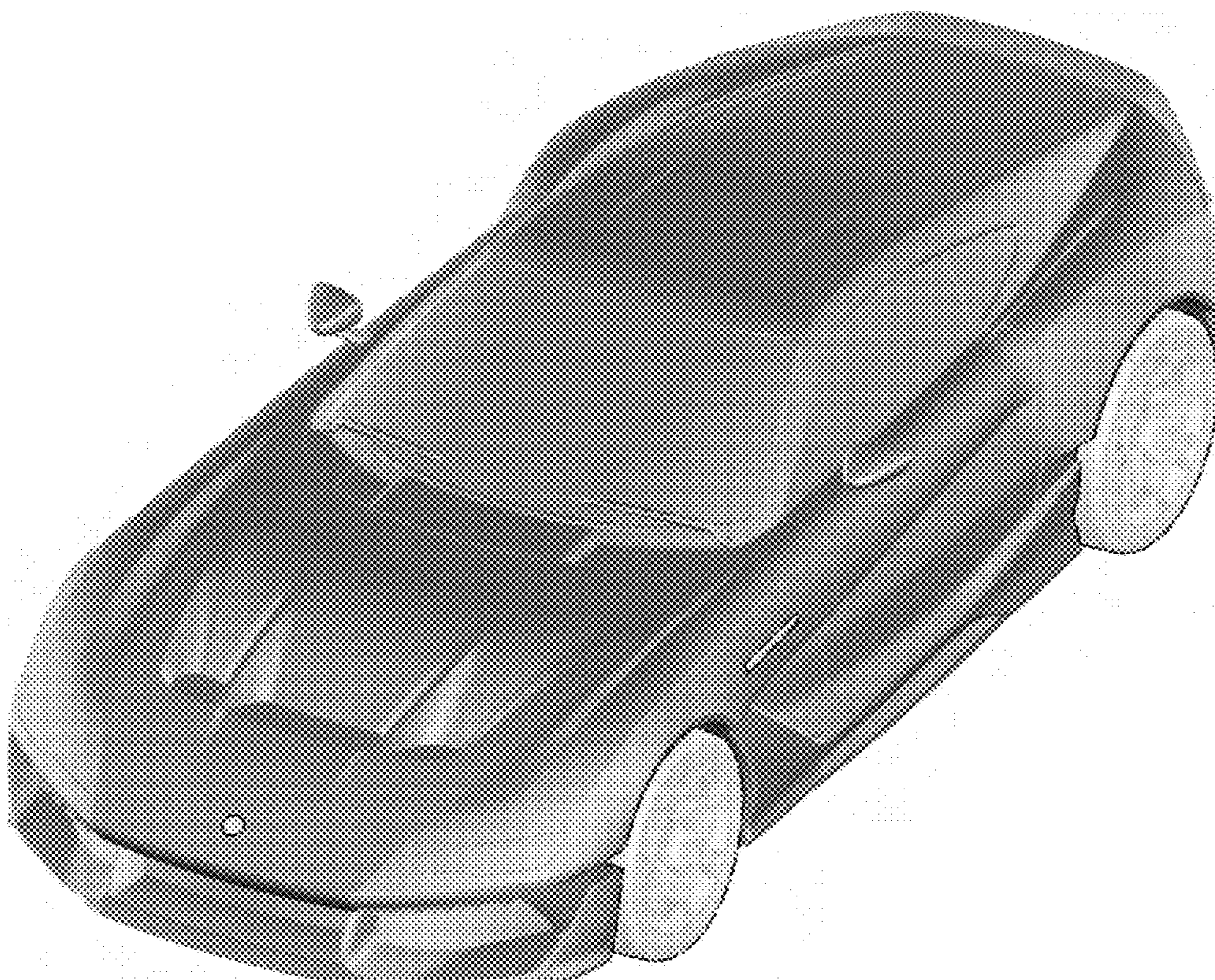
The ornamental design for a motor vehicle body, as shown
and described.

DESCRIPTION

FIG. 1 is a top, front and left side perspective view of a
motor vehicle body showing our new design;
FIG. 2 is a top, rear and right side perspective view thereof;
FIG. 3 is a front elevational view thereof;
FIG. 4 is a rear elevational view thereof;
FIG. 5 is a left side elevational view thereof and;
FIG. 6 is a right side elevational view thereof;
FIG. 7 is a top plan view thereof; and,
FIG. 8 is a bottom plan view thereof.

The portions of the motor vehicle body shown in de-
emphasized faded out half-tone form surrounded by broken
lines are for illustrative and environmental purposes that
form no part of the claimed design.

1 Claim, 7 Drawing Sheets



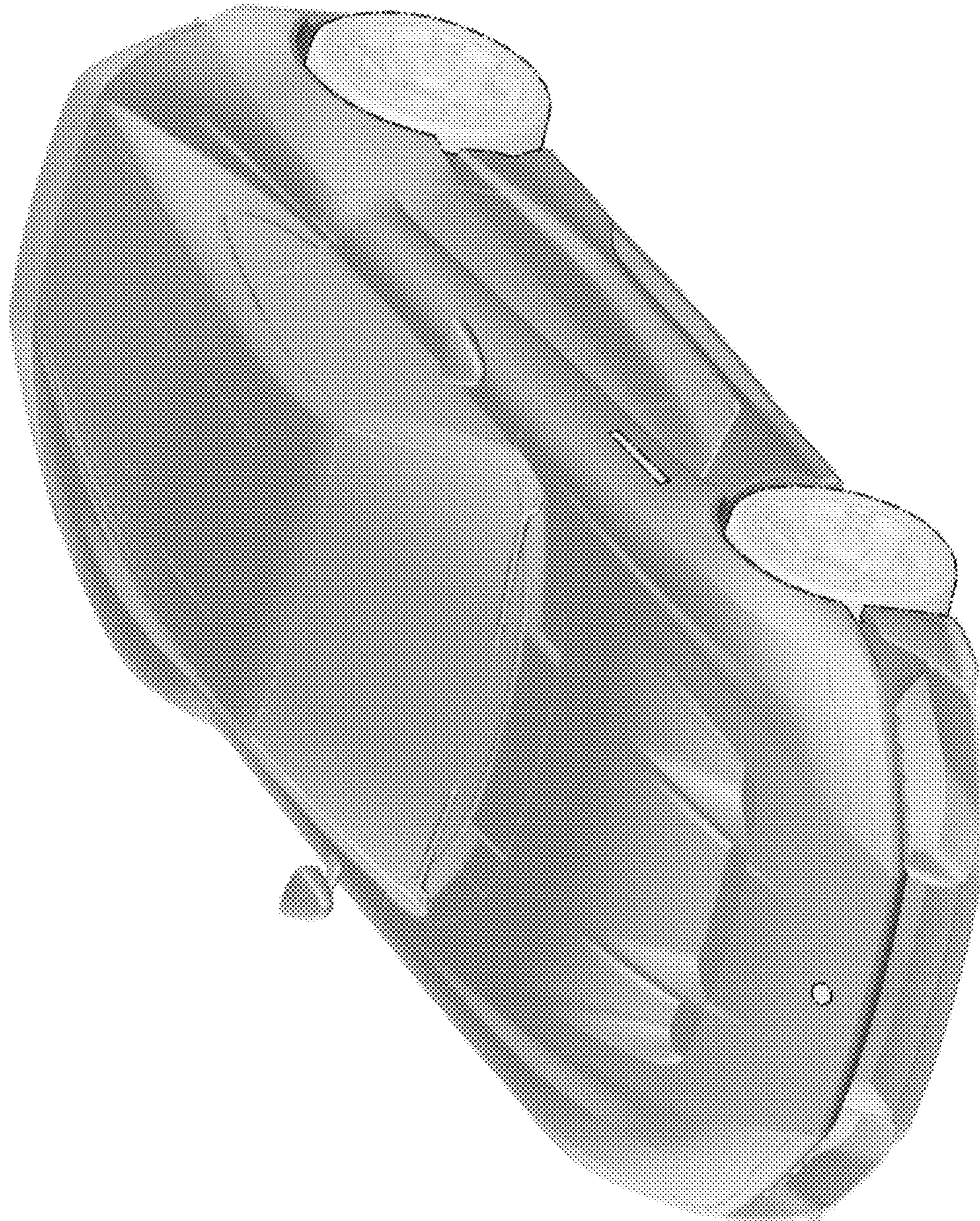


Fig. 1

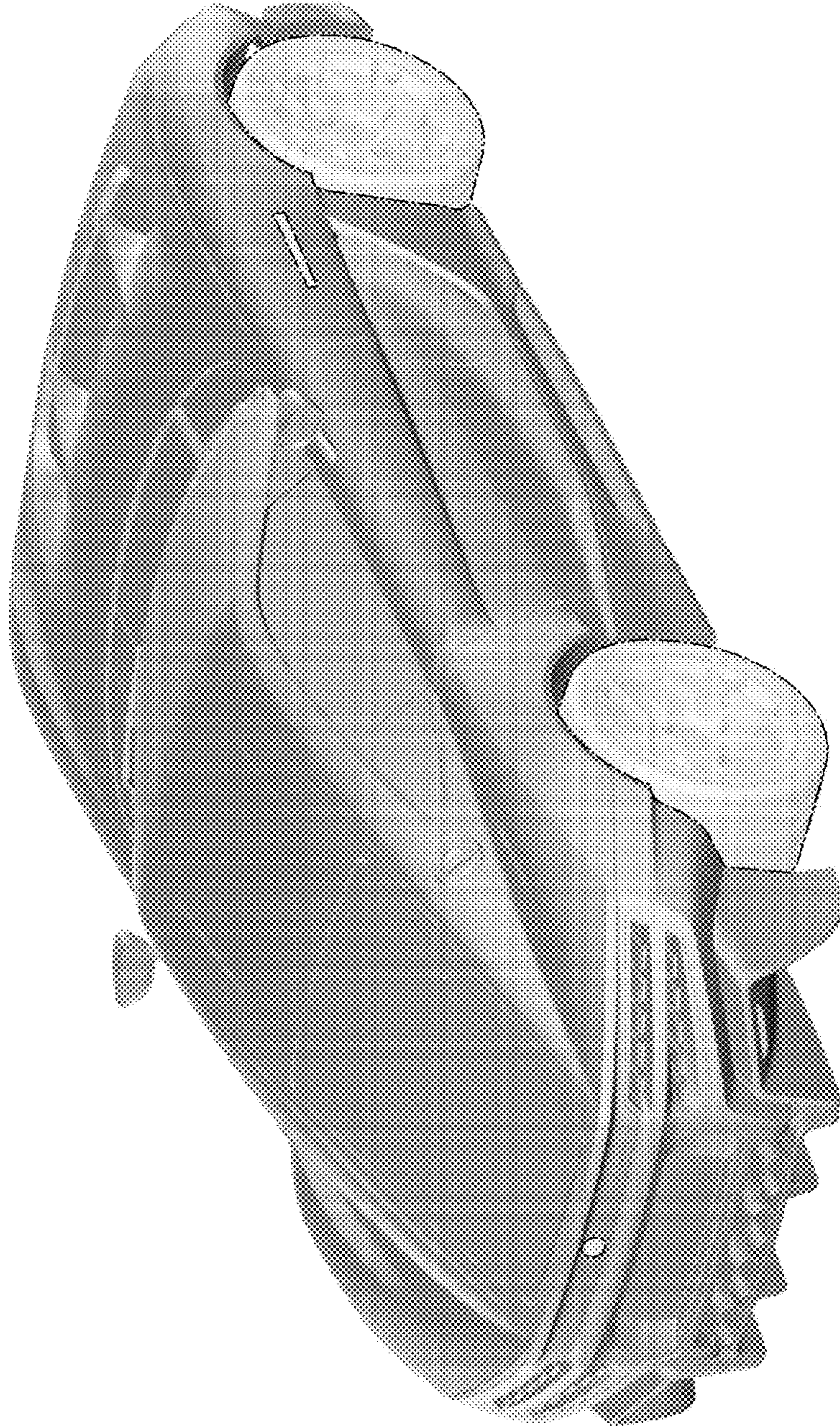


Fig. 2

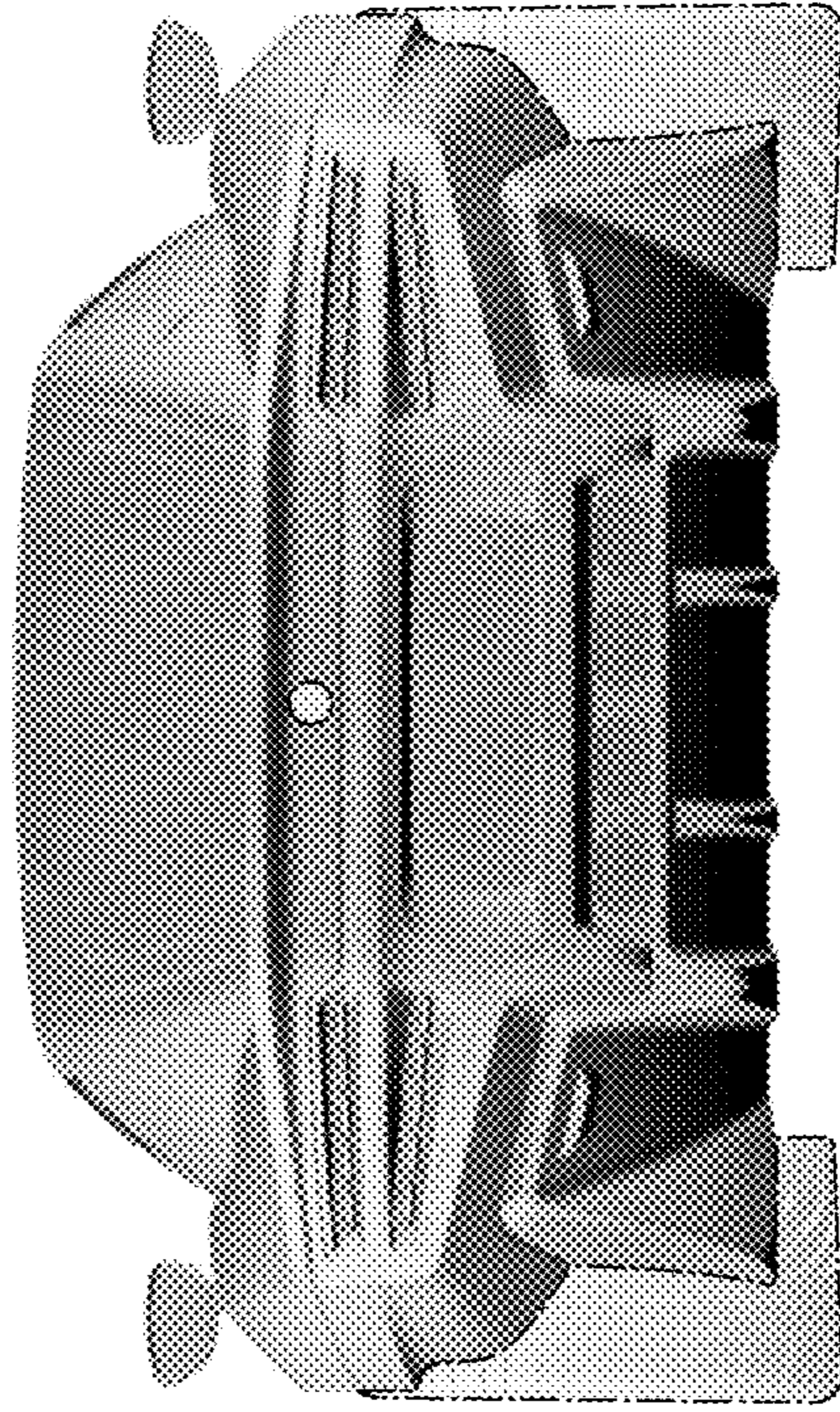


Fig. 3

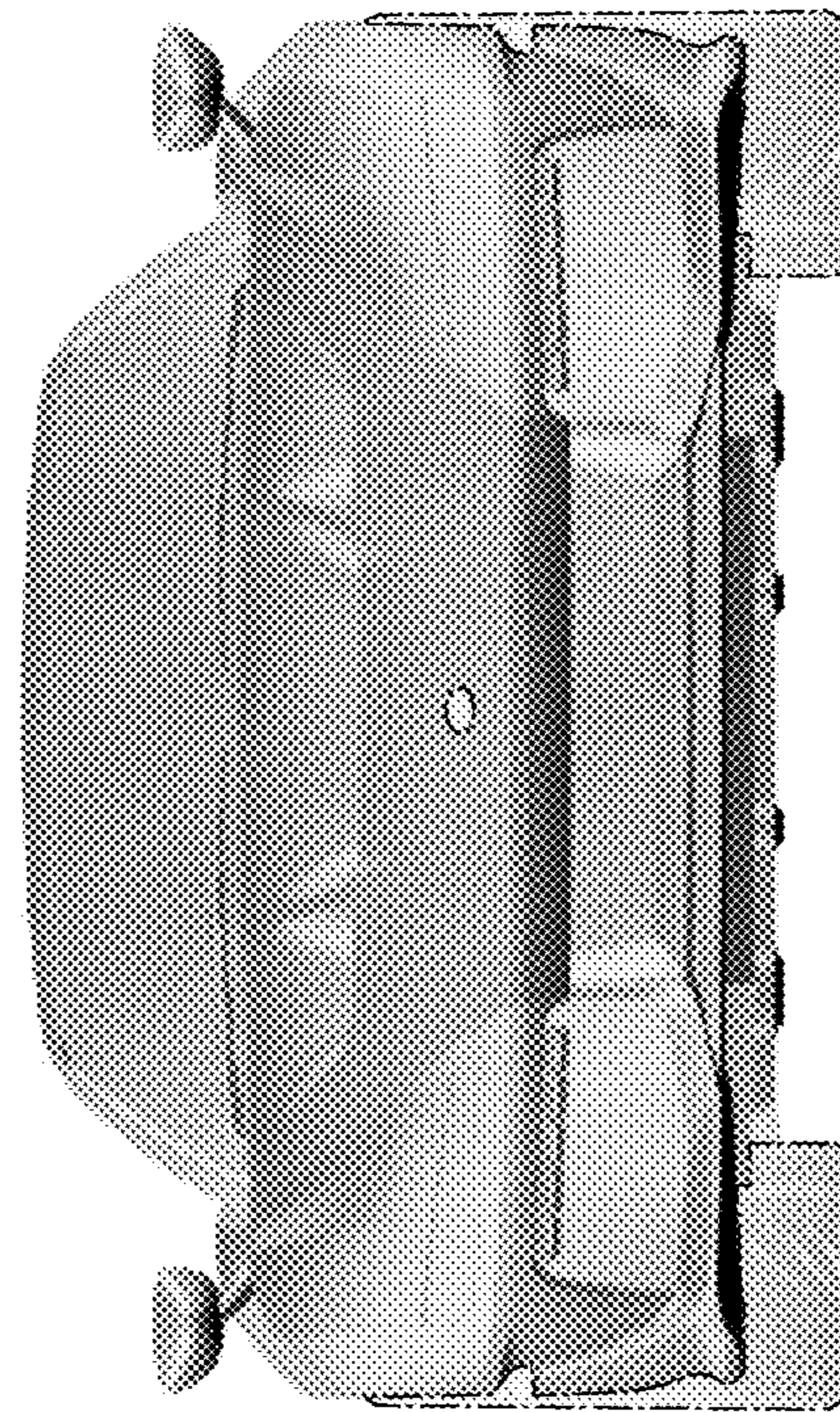


Fig. 4

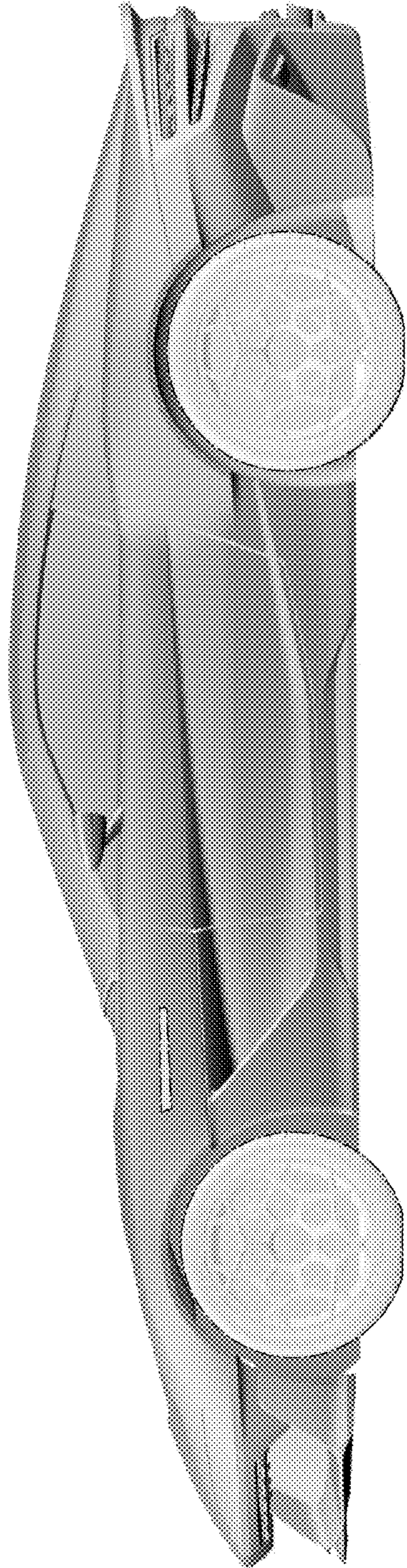


Fig. 5

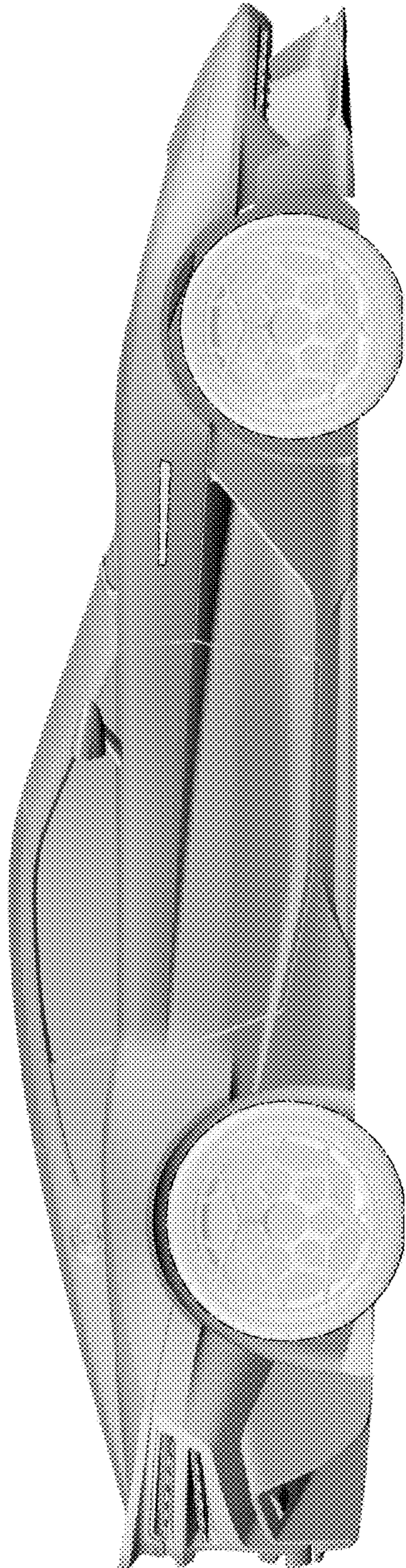


Fig. 6

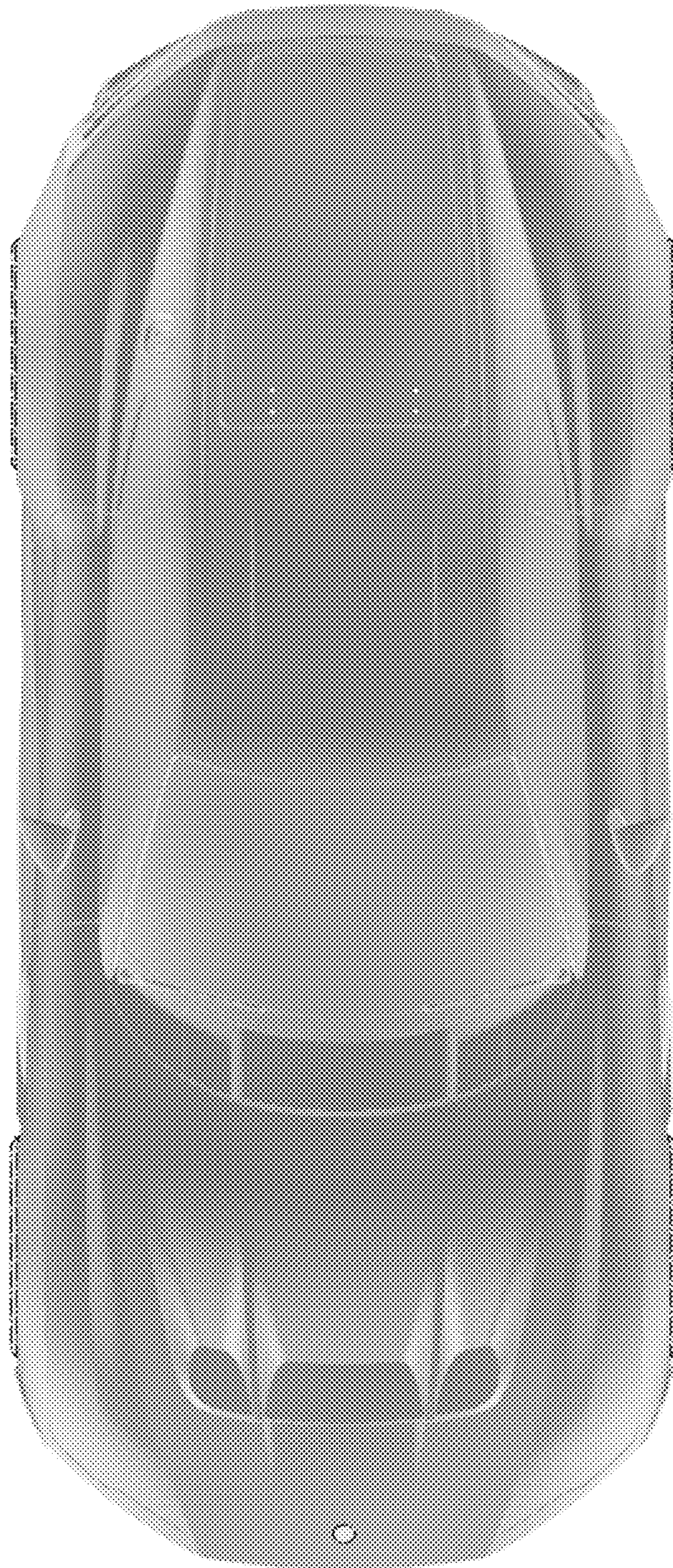


Fig. 7

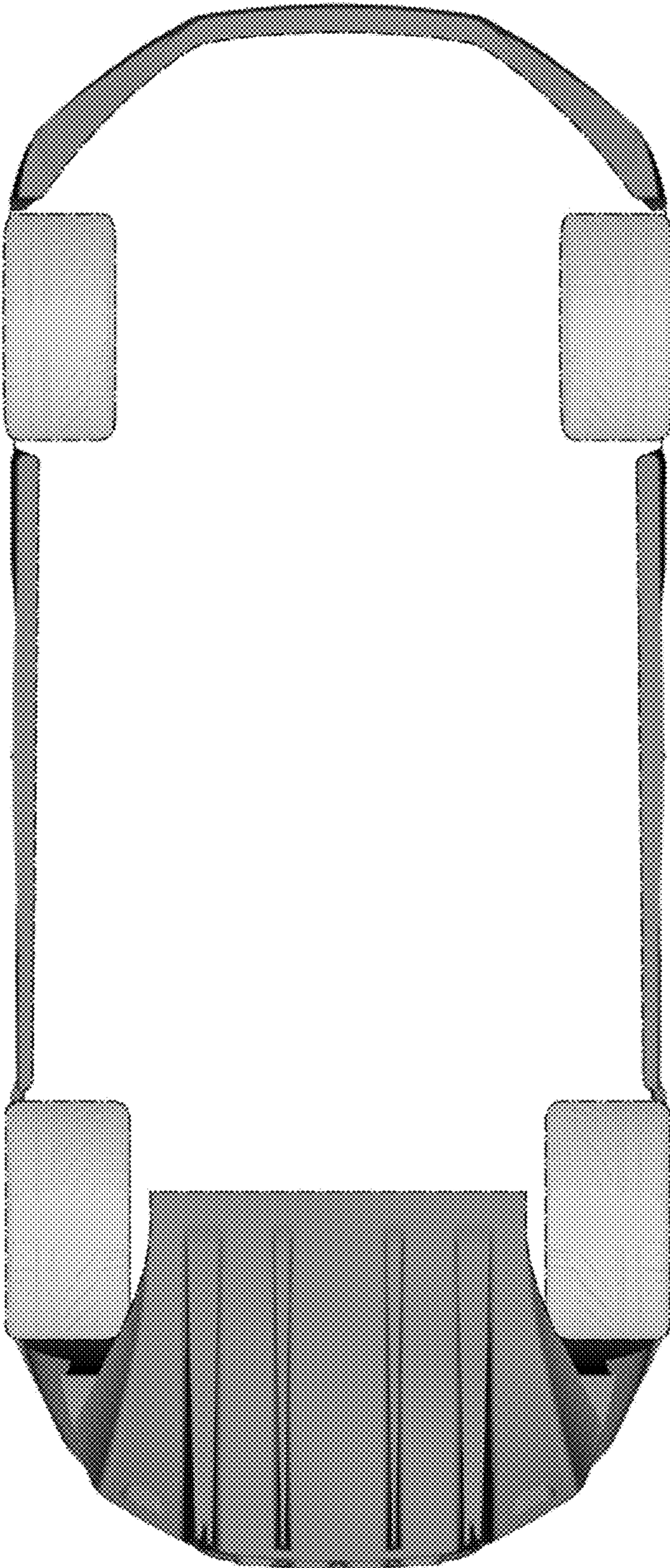


Fig. 8