



US00D918771S

(12) **United States Design Patent** (10) **Patent No.:** **US D918,771 S**
Bouzige (45) **Date of Patent:** **** May 11, 2021**

(54) **MOTOR VEHICLE AND/OR TOY REPLICA**

FOREIGN PATENT DOCUMENTS

(71) Applicant: **Laurent Jean Raymond Bouzige**, Nice (FR)

TR 094736-0001 * 4/2017

(72) Inventor: **Laurent Jean Raymond Bouzige**, Nice (FR)

OTHER PUBLICATIONS

(73) Assignee: **TOYOTA JIDOSHA KABUSHIKI KAISHA**

Toyota Global Newsroom, Toyota e-Palette Concept (2018), <<https://newsroom.toyota.co.jp/en/corporate/20546438.html>>, Jan. 9, 2018. Autocar, Volkswagen Sedric, <<https://www.autocar.co.uk/car-news/motor-shows-geneva-motor-show/volkswagen-sedric-concept-previews-self-driving-pod-vehicle>>, Mar. 6, 2017. Easymile website, EZ10, <<http://www.easymile.com>>, available as early as Nov. 1, 2014.

(**) Term: **15 Years**

* cited by examiner

(21) Appl. No.: **29/669,599**

(22) Filed: **Nov. 9, 2018**

Primary Examiner — Leanne Was-Englehart

(30) **Foreign Application Priority Data**

(74) *Attorney, Agent, or Firm* — Saidman DesignLaw Group, LLC

May 10, 2018 (JP) 2018-010203

(51) **LOC (13) Cl.** **12-08**

(52) **U.S. Cl.**

USPC **D12/86**

(58) **Field of Classification Search**

USPC D12/84, 86, 90-93; D21/483, 533, 548, D21/552

CPC B60Y 2306/01; B60K 11/085

See application file for complete search history.

(57) **CLAIM**

The ornamental design for a motor vehicle and/or toy replica, as shown and described.

DESCRIPTION

(56) **References Cited**

U.S. PATENT DOCUMENTS

1,861,001 A * 5/1932 Fageol B62D 31/02 180/54.1

D196,905 S * 11/1963 Dardenne D12/84

D800,017 S * 10/2017 Sapet D12/86

D853,888 S * 7/2019 Waters D12/86

D856,192 S * 8/2019 Yamada D12/86

D885,255 S * 5/2020 Janin D12/86

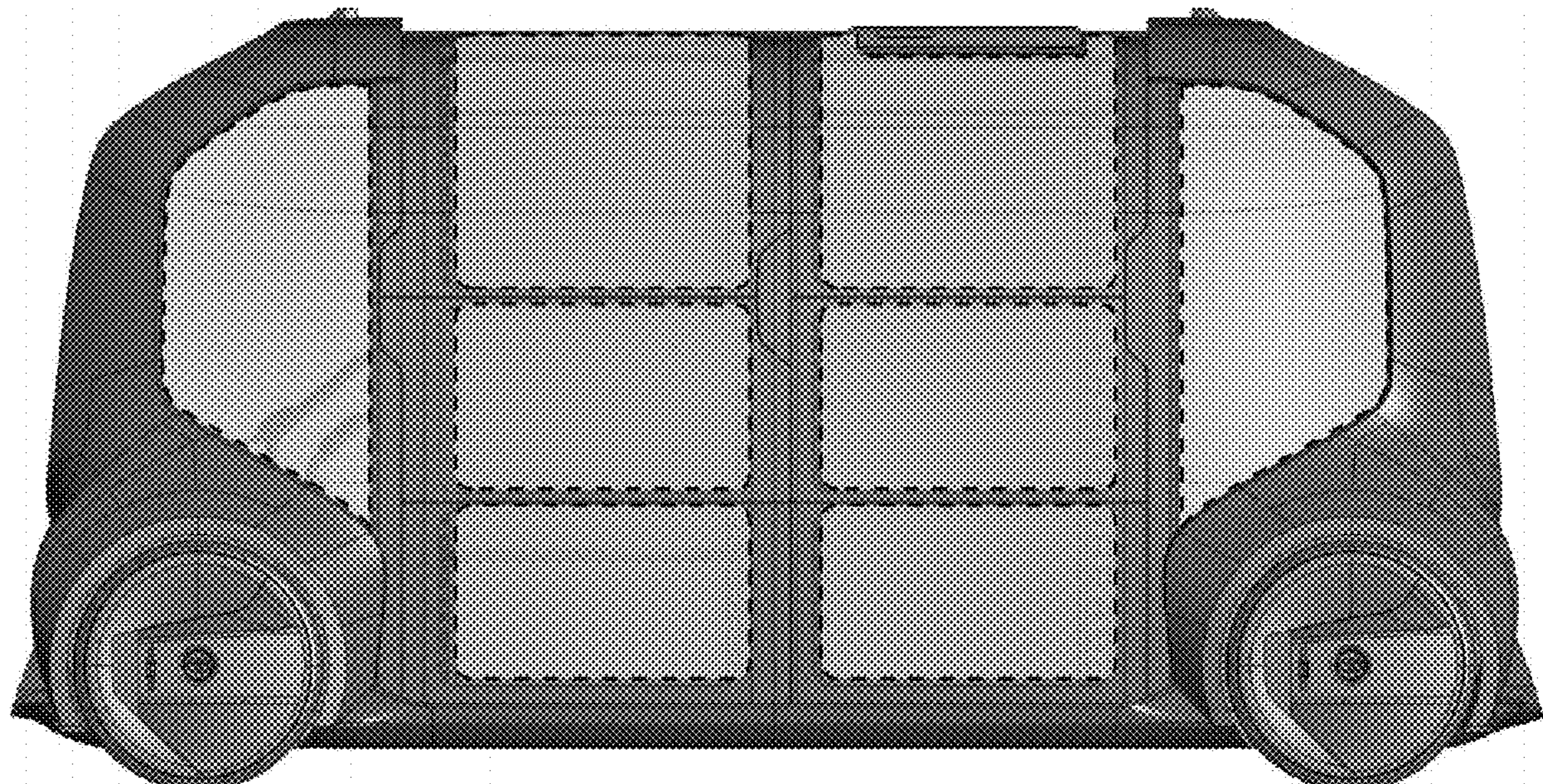
FIG. 1 is a left side view of a motor vehicle and/or toy replica showing my new design; FIG. 2 is a right side view thereof; FIG. 3 is a front view thereof; FIG. 4 is a rear view thereof; FIG. 5 is a top view thereof; and, FIG. 6 is a bottom view thereof.

The drawings include CAD lines that represent contour and not surface decoration.

The broken lines illustrate structure or features which form no part of the claimed design.

The faded portions within the broken lines form no part of the claimed design.

1 Claim, 5 Drawing Sheets



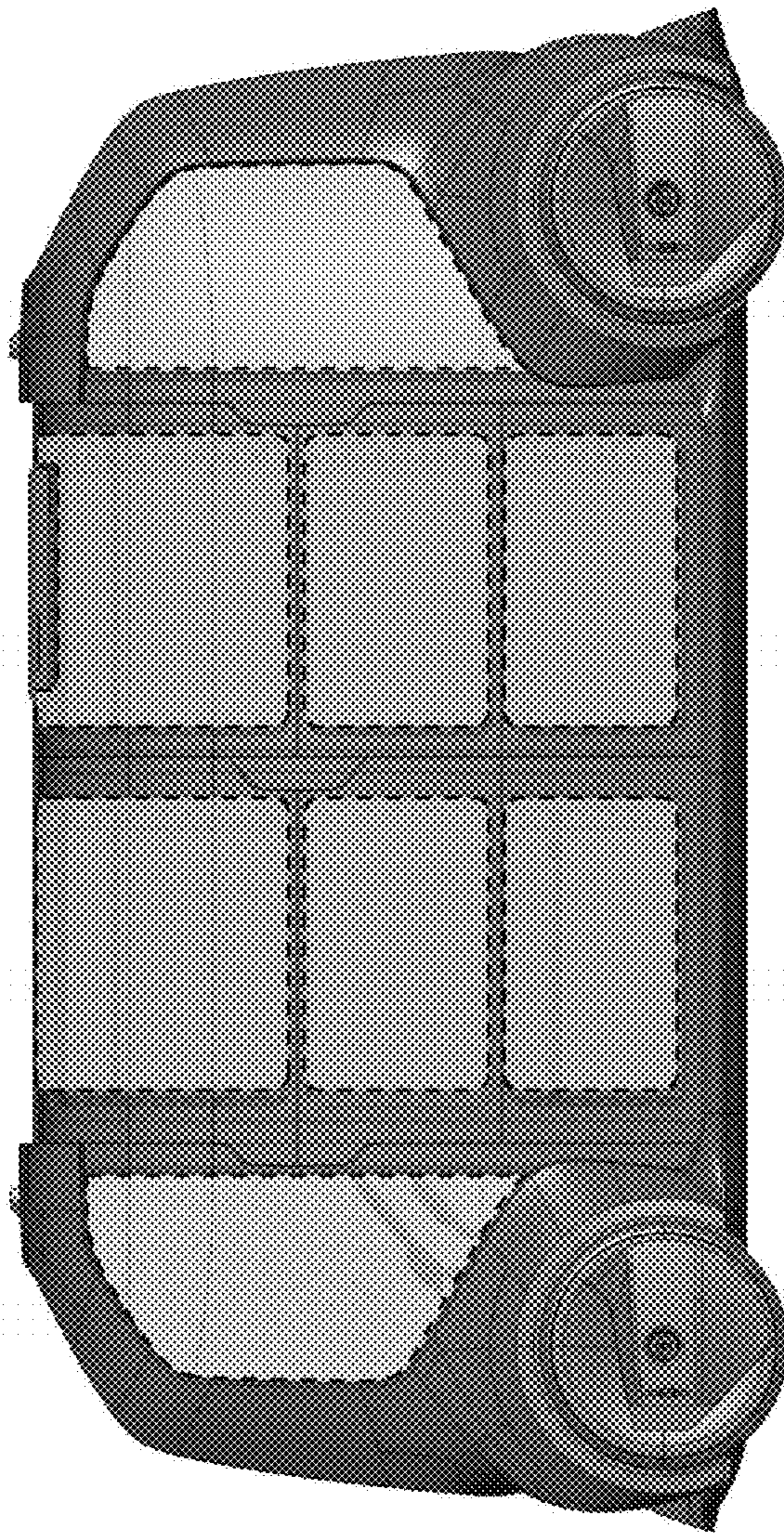


Fig. 1

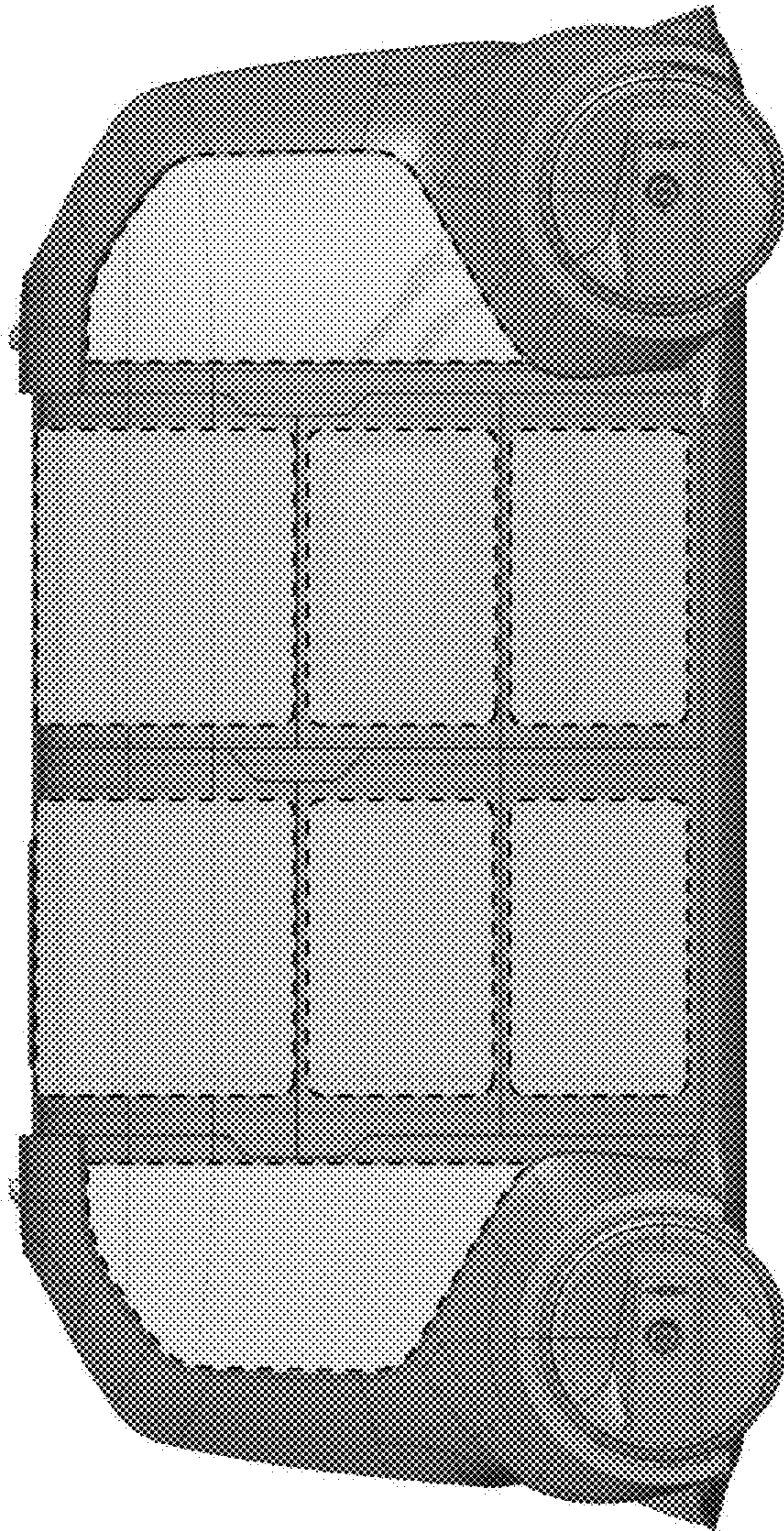


FIG. 2

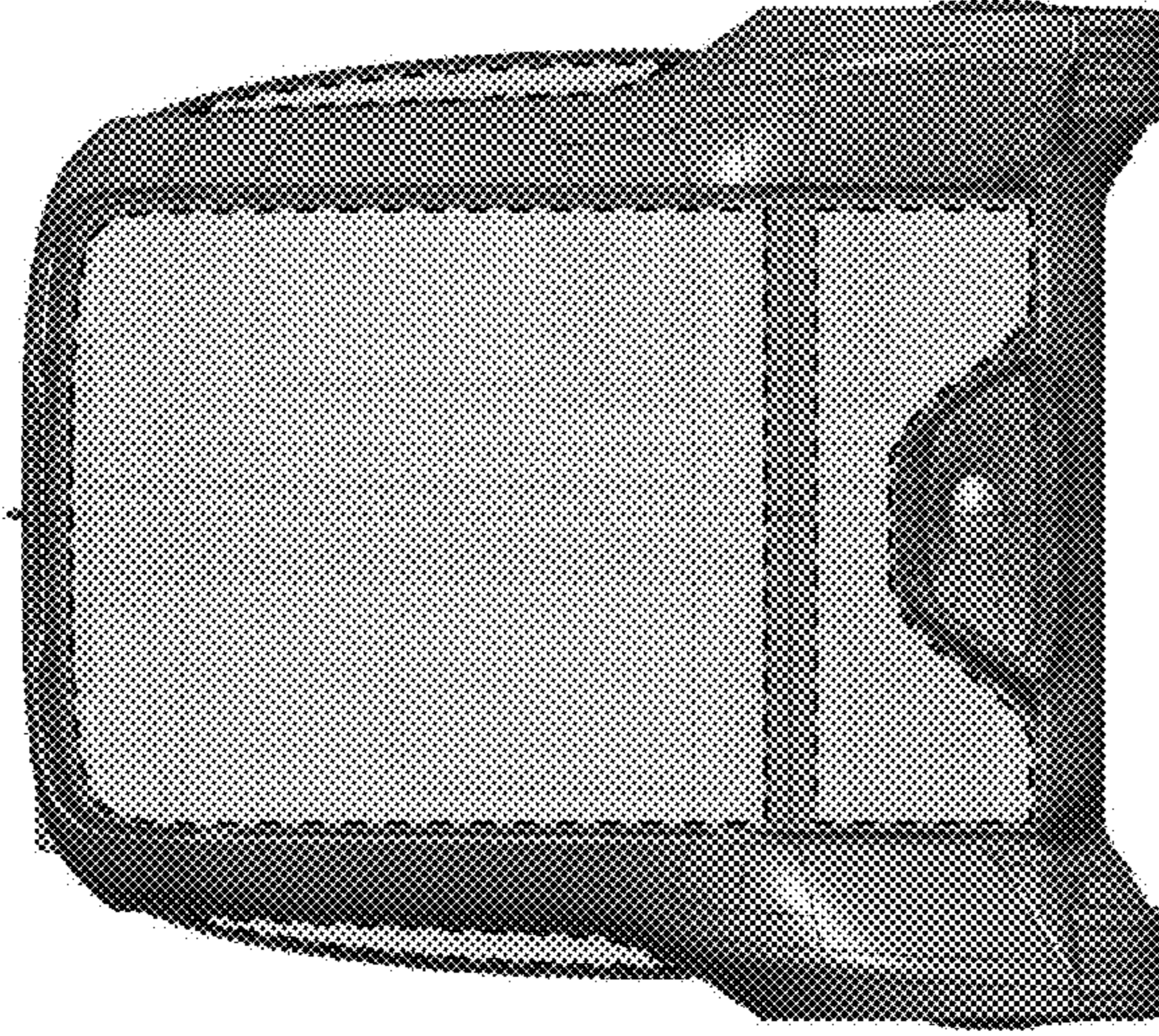


Fig. 3

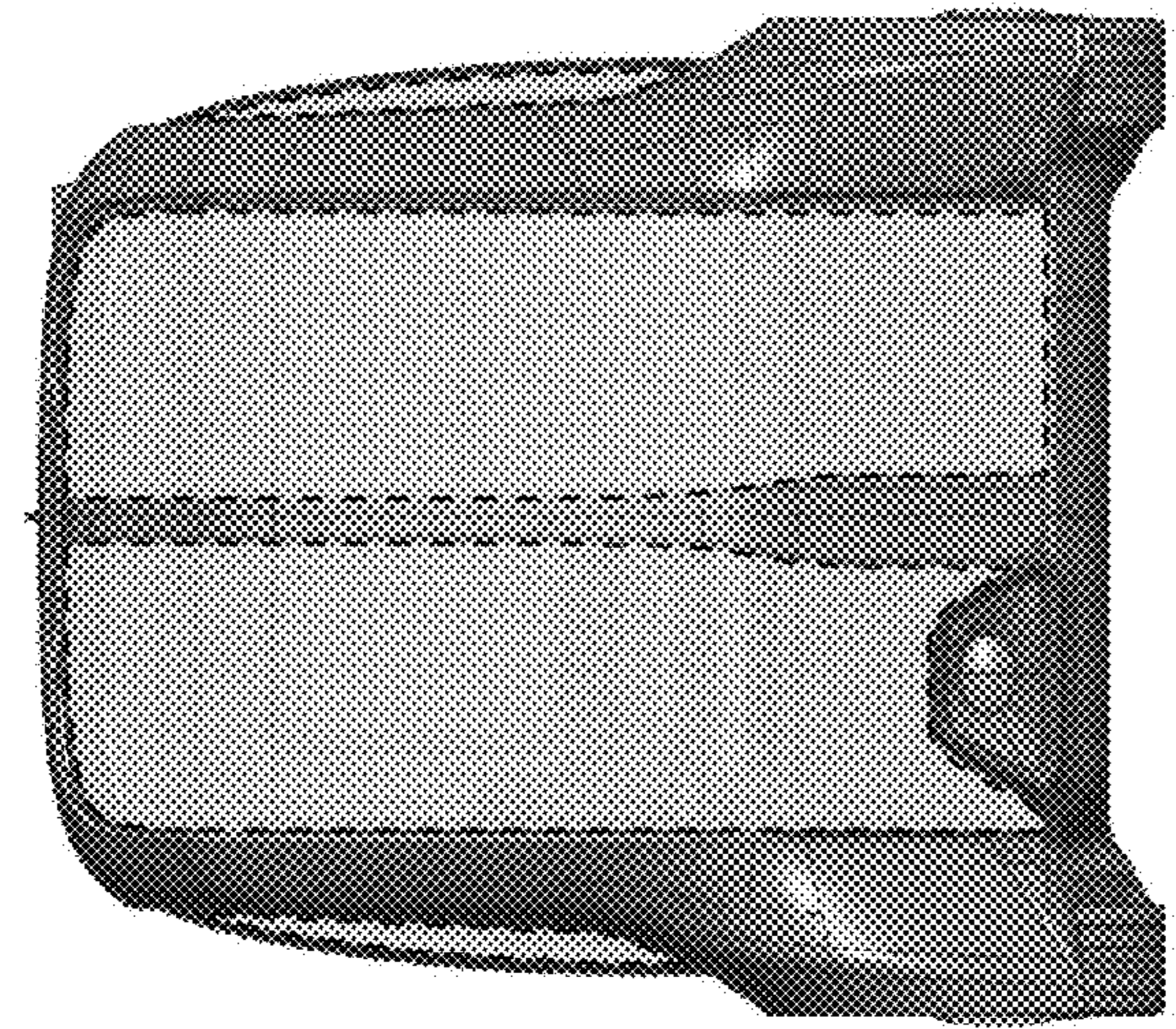


Fig. 4

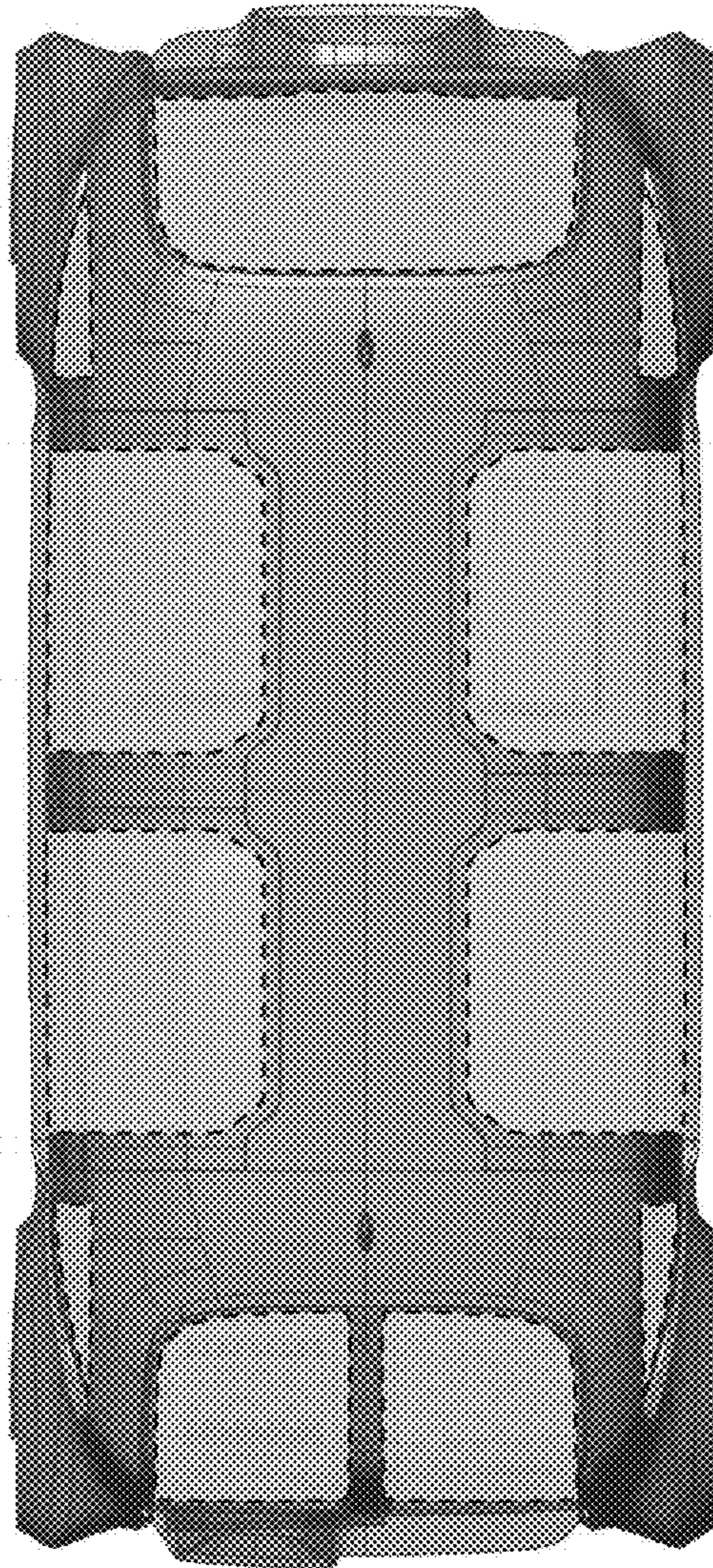


Fig. 5

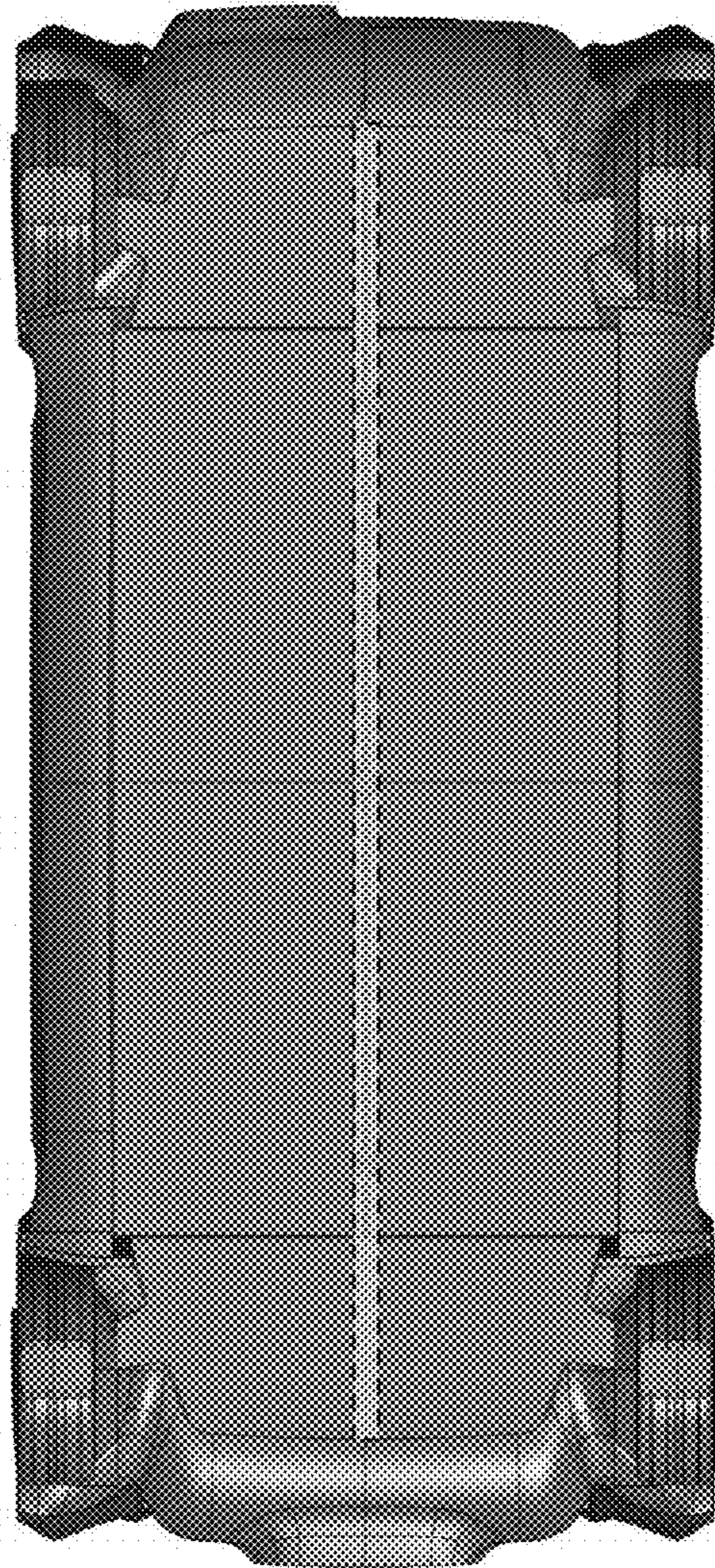


Fig. 6