



US00D918770S

(12) **United States Design Patent** (10) **Patent No.:** **US D918,770 S**  
**Mouquet** (45) **Date of Patent:** **\*\* May 11, 2021**

(54) **BELT BUCKLE**  
(71) Applicant: **HERMES SELLIER (Société par actions simplifiée)**, Paris (FR)  
(72) Inventor: **Philippe Mouquet**, Paris (FR)  
(\*\*) Term: **15 Years**  
(21) Appl. No.: **35/508,409**  
(22) Filed: **Jul. 30, 2019**  
(80) **Hague Agreement Data**  
Int. Filing Date: **Jul. 30, 2019**  
Int. Reg. No.: **DM/204456**  
Int. Reg. Date: **Jul. 30, 2019**  
Int. Reg. Pub. Date: **Jan. 31, 2020**  
(51) **LOC (13) Cl.** ..... **02-07**  
(52) **U.S. Cl.**  
USPC ..... **D11/231**  
(58) **Field of Classification Search**  
USPC ..... D11/200, 201, 202, 204, 206, 208, 209,  
D11/210, 212, 218, 219, 230, 231, 232;  
D8/349; D30/136  
CPC . A44B 11/001; A44B 11/2561; A44B 11/006;  
A44B 11/24; A44B 11/22; A44B 11/04;  
A44B 11/2576; A44B 11/28; B68C 1/14;  
G09F 3/18  
See application file for complete search history.

(56) **References Cited**  
U.S. PATENT DOCUMENTS  
63,156 A \* 3/1867 Hayden ..... B68B 1/06  
54/8  
D13,552 S \* 1/1883 Pope ..... D30/136  
422,062 A \* 2/1890 Stimpson ..... A44B 11/04  
24/309  
D91,344 S \* 1/1934 Baer ..... D3/207  
D102,681 S \* 1/1937 Freysinger ..... D11/212  
D133,692 S \* 9/1942 Beach ..... D11/210

2,324,430 A \* 7/1943 Schalet ..... A44B 11/28  
24/359  
D232,397 S \* 8/1974 Johnson ..... D11/230  
D498,697 S \* 11/2004 Hardy ..... D11/85  
D628,513 S \* 12/2010 Della Valle ..... D11/200  
D676,358 S \* 2/2013 Zieger ..... D11/231  
D713,294 S \* 9/2014 Mouquet ..... D11/231  
D737,722 S \* 9/2015 Muhlenfeld ..... D11/208  
D826,775 S \* 8/2018 Savage ..... D11/208  
D830,227 S \* 10/2018 Mouquet ..... D11/231

**FOREIGN PATENT DOCUMENTS**

CA 110695 \* 12/2003  
CN 200830183445 \* 8/2008  
(Continued)

**OTHER PUBLICATIONS**

Amazon, UKSALES25 D-Ring Copper Snaffle bit, posted Jul. 13, 2018, [online], [visited Dec. 18, 2020]. Internet, <URL: https://www.amazon.co.uk/UKSALES25-D-Ring-Copper-Jointed-Snaffle/dp/B07FLFB5S7/ref> (Year: 2018).\*  
(Continued)

*Primary Examiner* — George D. Kirschbaum  
*Assistant Examiner* — Samantha N Wood

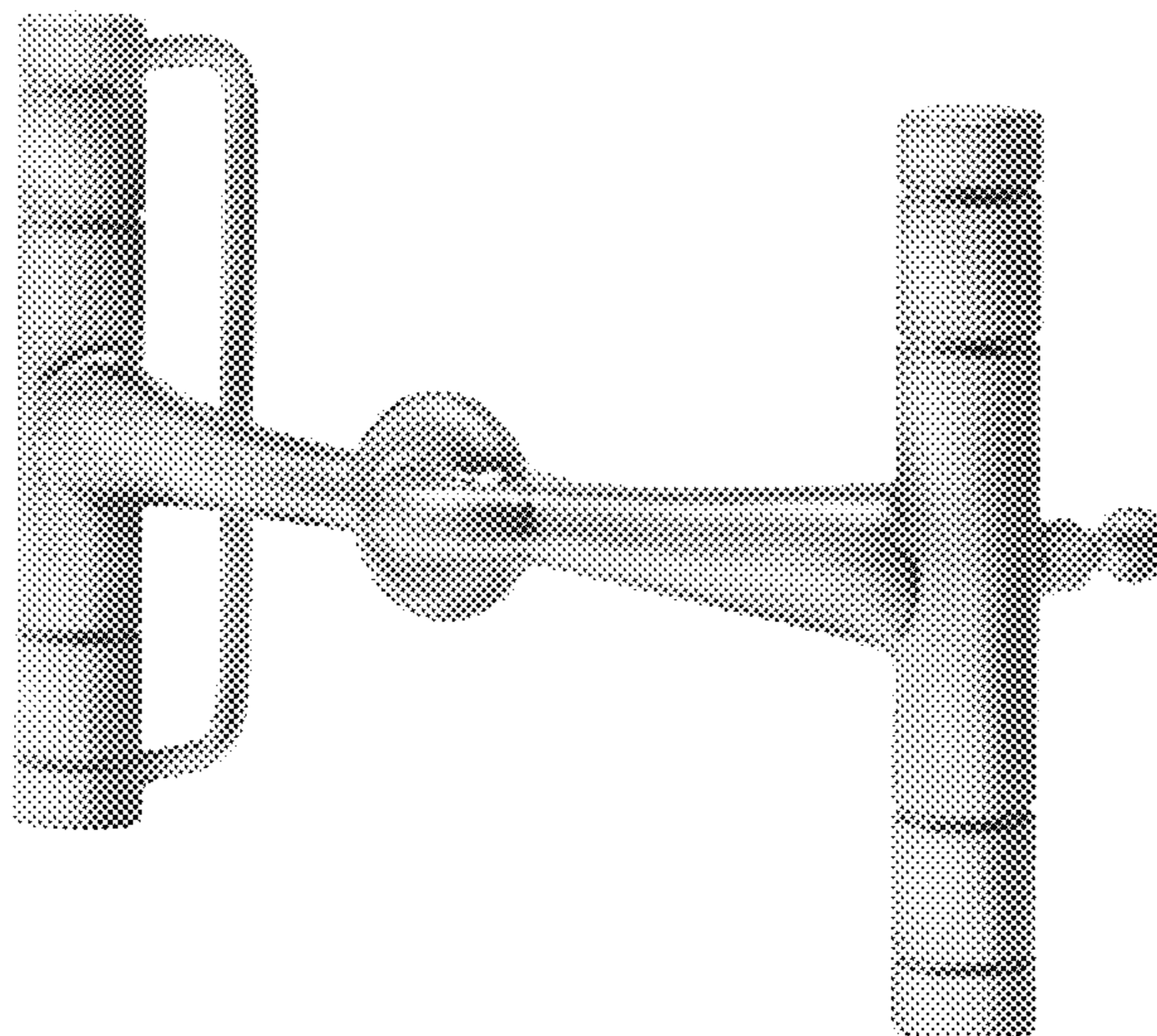
(57) **CLAIM**

The ornamental design for a belt buckle, as shown and described.

**DESCRIPTION**

- 1. Belt buckle
- 1.1 : Perspective
- 1.2 : Front
- 1.3 : Back
- 1.4 : Right
- 1.5 : Left
- 1.6 : Top
- 1.7 : Bottom

**1 Claim, 7 Drawing Sheets**



(56)

**References Cited**

FOREIGN PATENT DOCUMENTS

CN 201030641358 \* 11/2010  
CN 201030668095 \* 12/2010

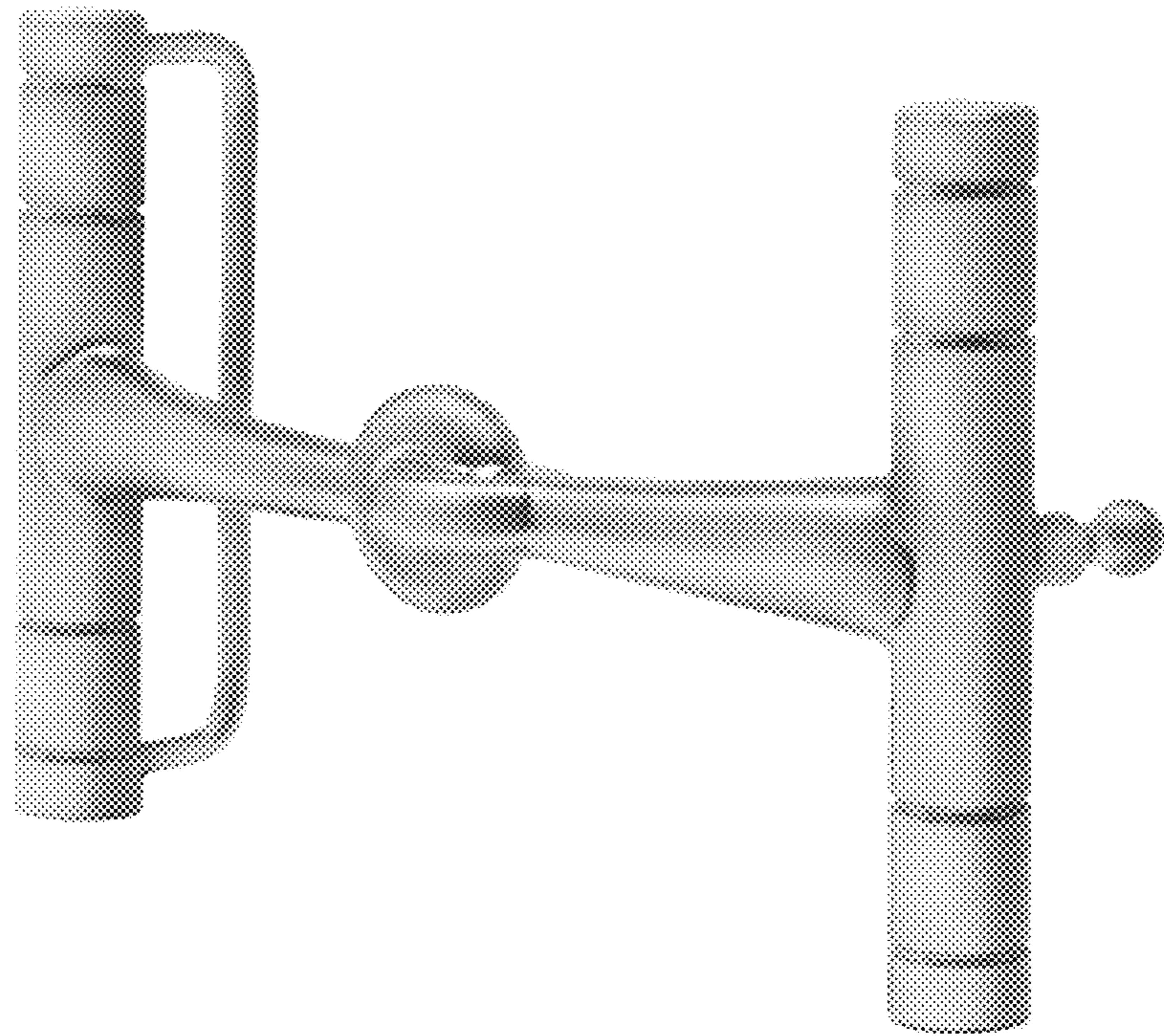
OTHER PUBLICATIONS

Amazon, Stuuben D-Ring bit, posted Oct. 8, 2016, [online], [visited Dec. 18, 2020]. Internet, <URL: <https://www.amazon.co.uk/St%C3%BCbber-Control-D-Ring-double-broken/dp/B00NKSQD8C/ref>> (Year: 2016).\*

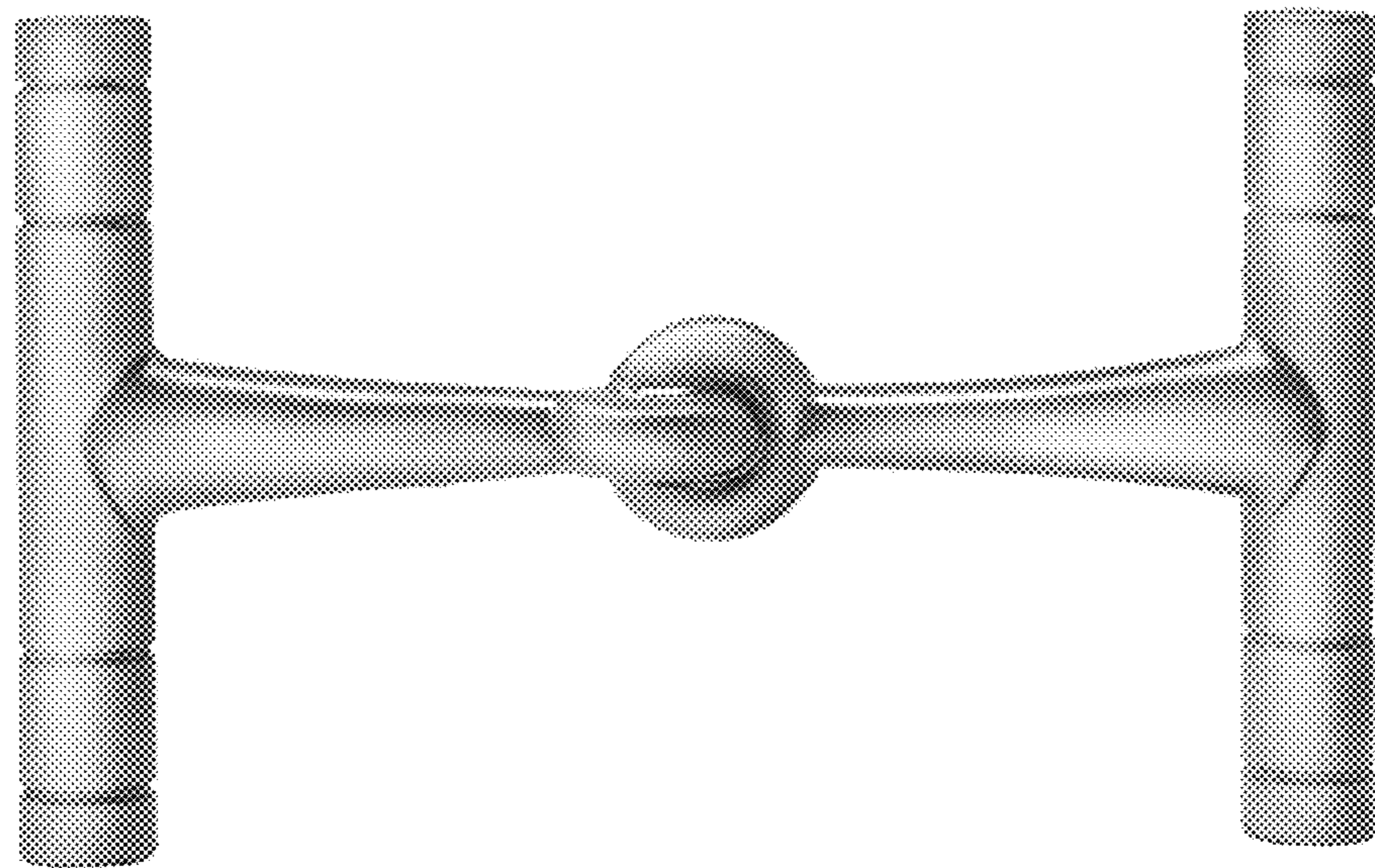
Amazon, HEEPDD Stainless steel snaffle bit, posted Jun. 24, 2019, [online], [visited Dec. 18, 2020]. Internet, <URL: <https://www.amazon.co.uk/Stainless-Snaffle-Jointed-Equestrian-Supplies/dp/B07TH8W2J5/ref>> (Year: 2019).\*

\* cited by examiner

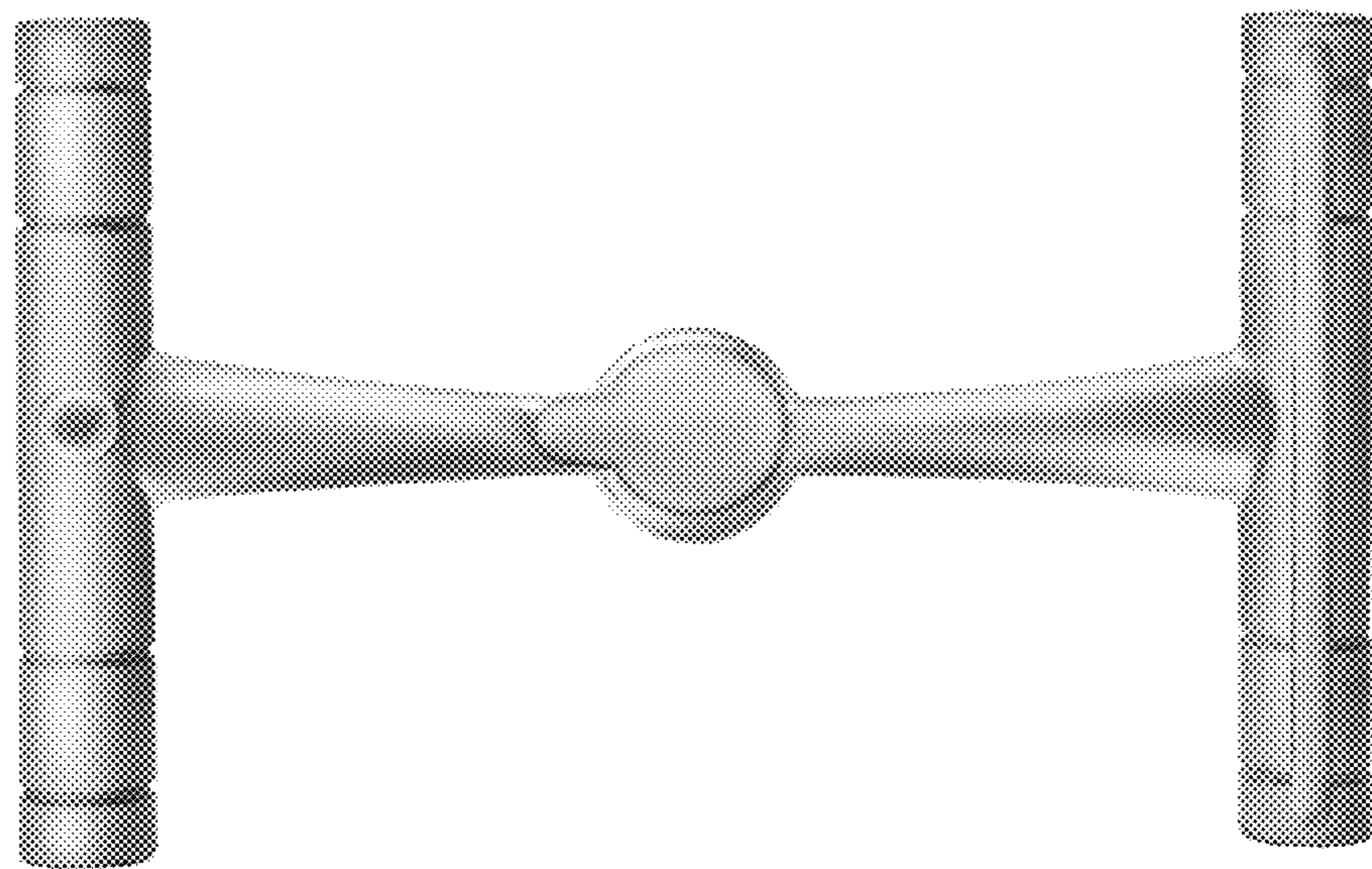
1.1



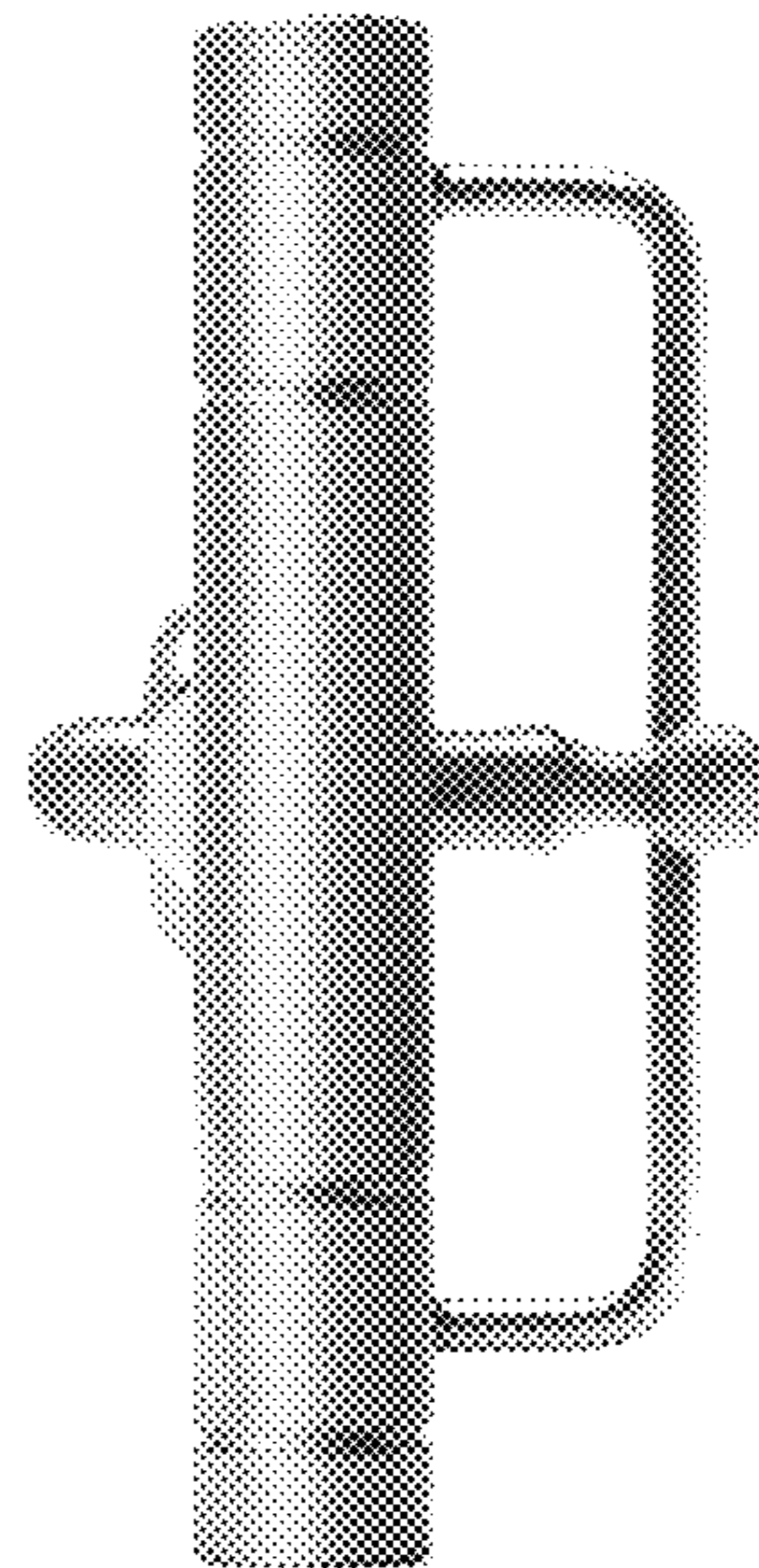
1.2



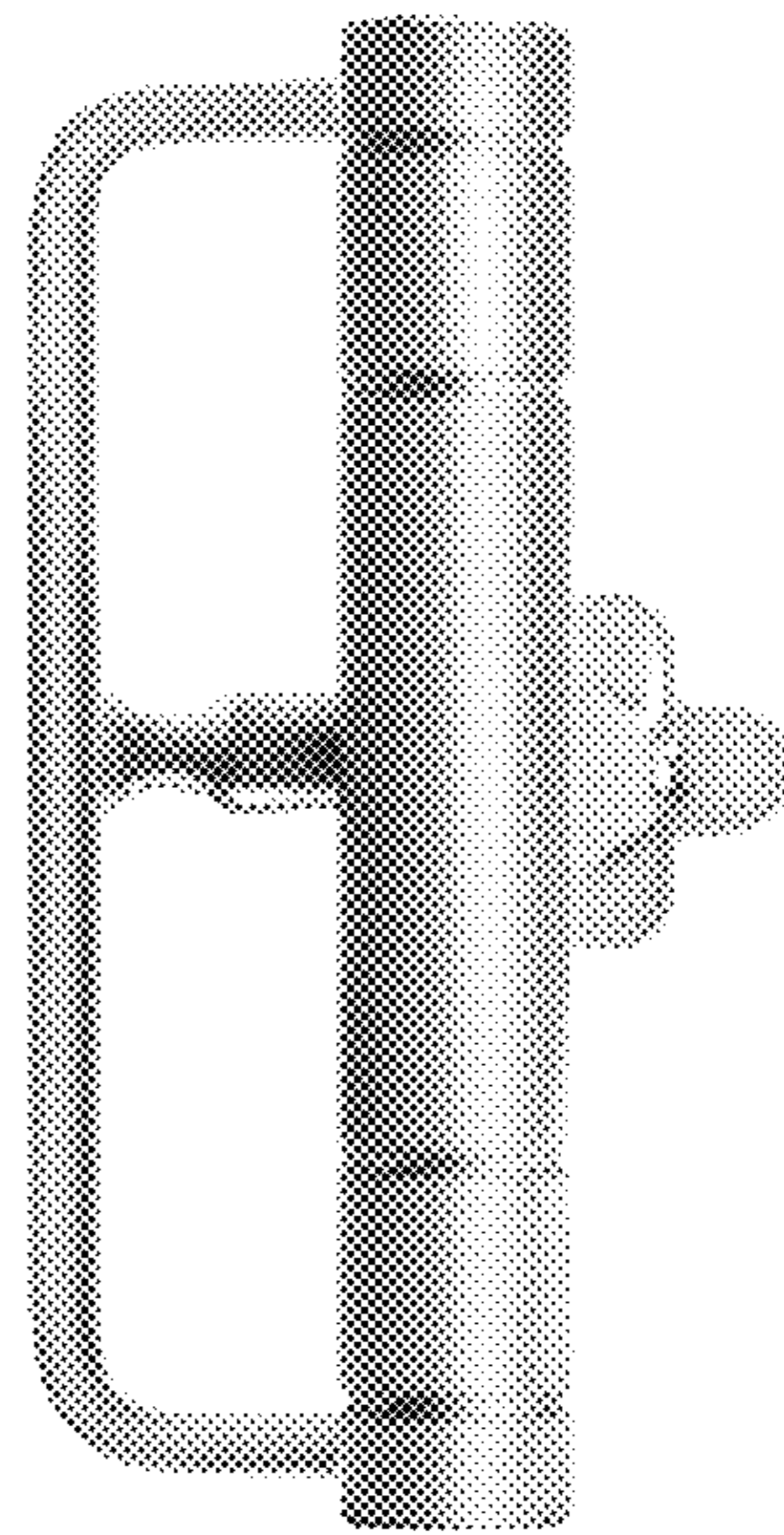
1.3



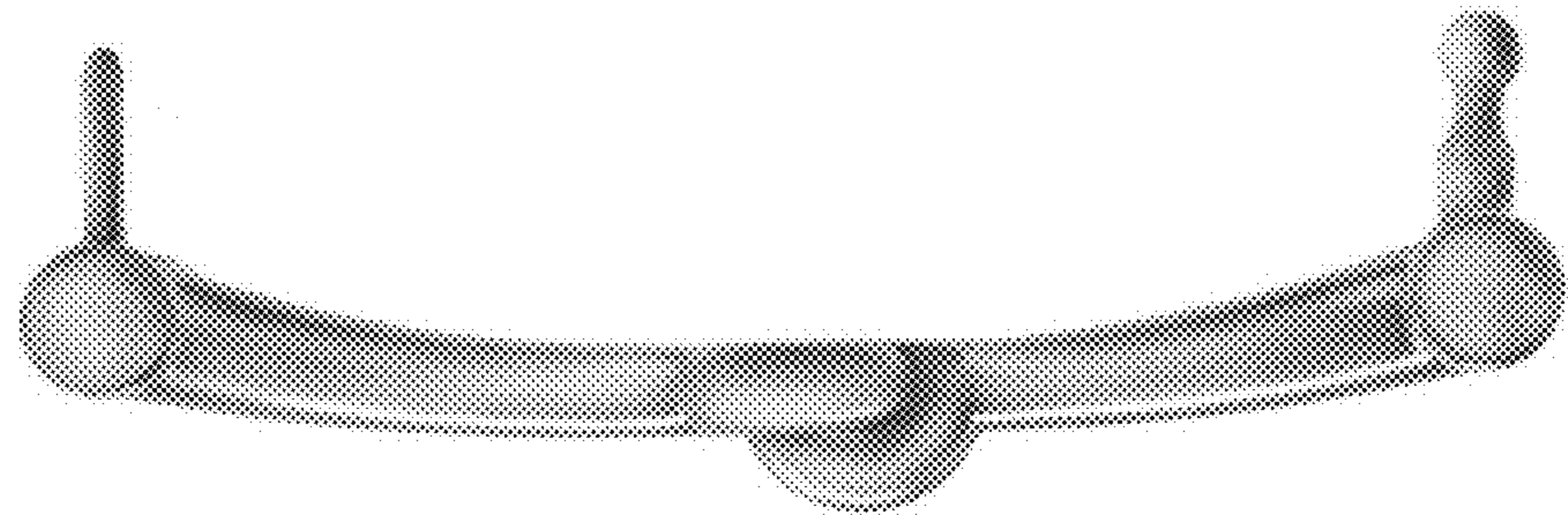
1.4



1.5



1.6





1.7

