



US00D918769S

(12) **United States Design Patent** (10) **Patent No.:** **US D918,769 S**  
**Yun** (45) **Date of Patent:** **\*\* May 11, 2021**

(54) **HOLDER FOR FLOWER OR PLANT POTS**  
(71) Applicants: **KOREA ADVANCED INSTITUTE OF SCIENCE AND TECHNOLOGY, Daejeon (KR); SHERPA SPACE INC., Daejeon (KR)**

(72) Inventor: **Choa Mun Yun, Daejeon (KR)**

(\*\*) Term: **15 Years**

(21) Appl. No.: **35/507,080**

(22) Filed: **Nov. 9, 2018**

(80) **Hague Agreement Data**

Int. Filing Date: **Nov. 9, 2018**

Int. Reg. No.: **DM/201949**

Int. Reg. Date: **Nov. 9, 2018**

Int. Reg. Pub. Date: **Jul. 19, 2019**

(30) **Foreign Application Priority Data**

May 10, 2018 (KR) ..... 30-2018-0021651

(51) **LOC (13) Cl.** ..... **11-02**

(52) **U.S. Cl.**  
USPC ..... **D11/143**

(58) **Field of Classification Search**  
USPC ..... D11/143-164; D6/403-405, 556-558, D6/677; D26/9, 22; D7/505, 566, 570, D7/558; D9/502, 500, 569, 549  
CPC . A47G 7/00; A47G 7/006; A47G 7/02; A47G 7/06; A47G 7/063; A47G 7/07; A47G 7/08; A47G 7/085; A47G 2007/066; A01G 9/047; A01G 9/022; A01G 9/023; A01G 2031/006; A01G 31/00; A01G 31/02; A01G 31/04; A01G 31/042; A01G 31/045; A01G 31/047; A01G 31/06  
See application file for complete search history.

(56) **References Cited**

**U.S. PATENT DOCUMENTS**

D48,166 S \* 11/1915 Bennett ..... D11/147  
D117,334 S \* 10/1939 Fuld ..... D11/147

D173,320 S \* 10/1954 Mellor ..... D11/147  
3,158,524 A \* 11/1964 Tong ..... A41G 1/00  
206/423  
D218,341 S \* 8/1970 Giannotti ..... D11/147  
D242,461 S \* 11/1976 Davies ..... D23/366  
D251,764 S \* 5/1979 Stahel ..... D11/147  
D275,638 S \* 9/1984 Grier ..... D11/147  
D390,499 S \* 2/1998 Durham ..... D11/143  
D542,705 S \* 5/2007 Peterson ..... D11/147  
D612,473 S \* 3/2010 Valentino ..... D23/366  
D617,439 S \* 6/2010 Valentino ..... D23/367

(Continued)

**FOREIGN PATENT DOCUMENTS**

KR 300982309 \* 11/2018

**OTHER PUBLICATIONS**

Vintage Head Vase \_ Flower Frog , no date available, [online], [site visited Apr. 16, 2020]. Retrieved from url:https://www.chairish.com/product/2299015/vintage-head-vase-flower-frog (Year: 2020).\*

*Primary Examiner* — Michelle E. Wilson

*Assistant Examiner* — Tracey J Bell

(57) **CLAIM**

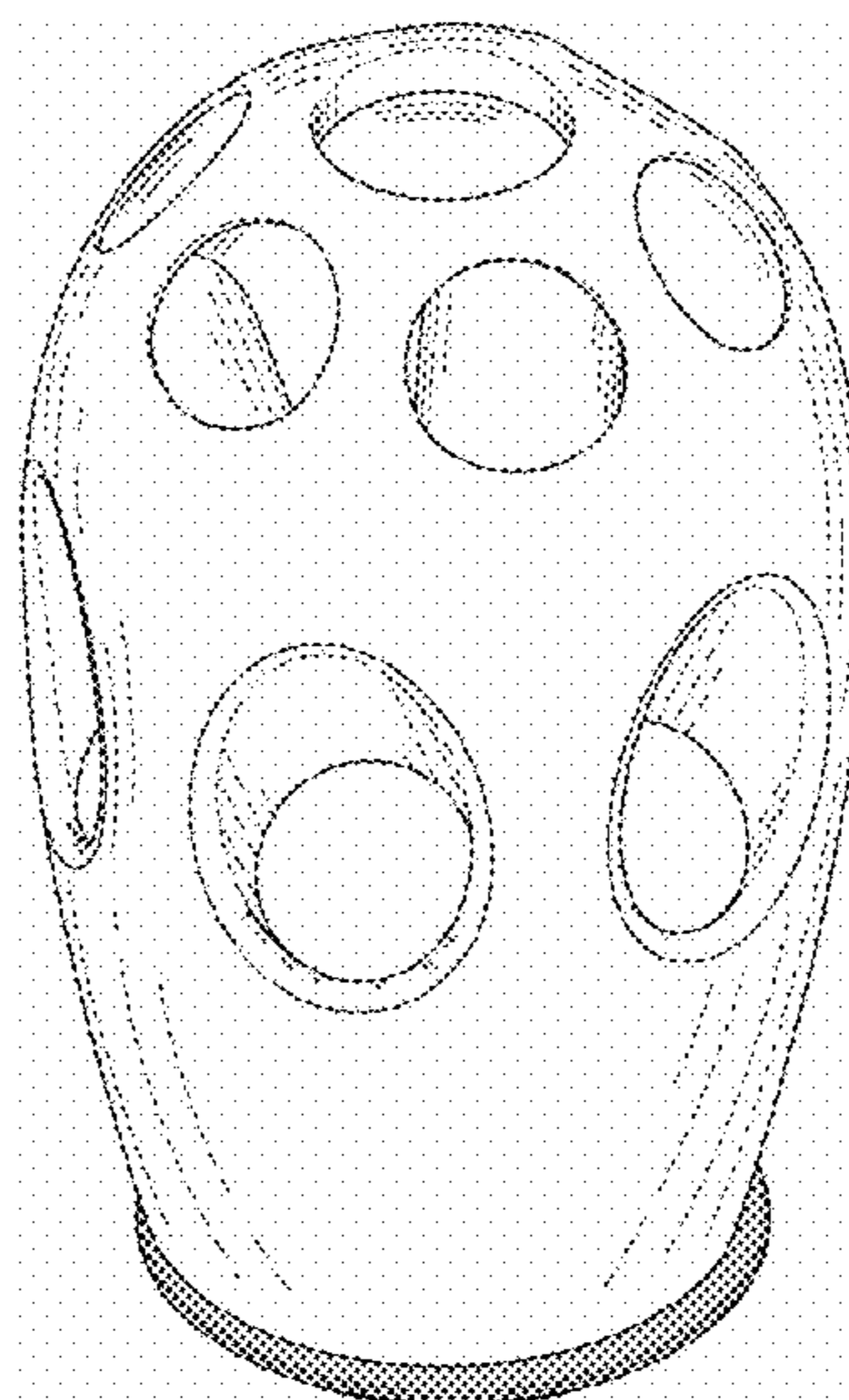
The ornamental design for a holder for flower or plant pots, as shown and described.

**DESCRIPTION**

- 1.1 : Perspective
- 1.2 : Front
- 1.3: Back
- 1.4: Top
- 1.5: Bottom
- 1.6 : Left
- 1.7: Right

The portion of the design shown in the color gray is for the purpose of illustrating portions of the holder for flower or plant pots that form no part of claimed design.

**1 Claim, 7 Drawing Sheets**



(56)

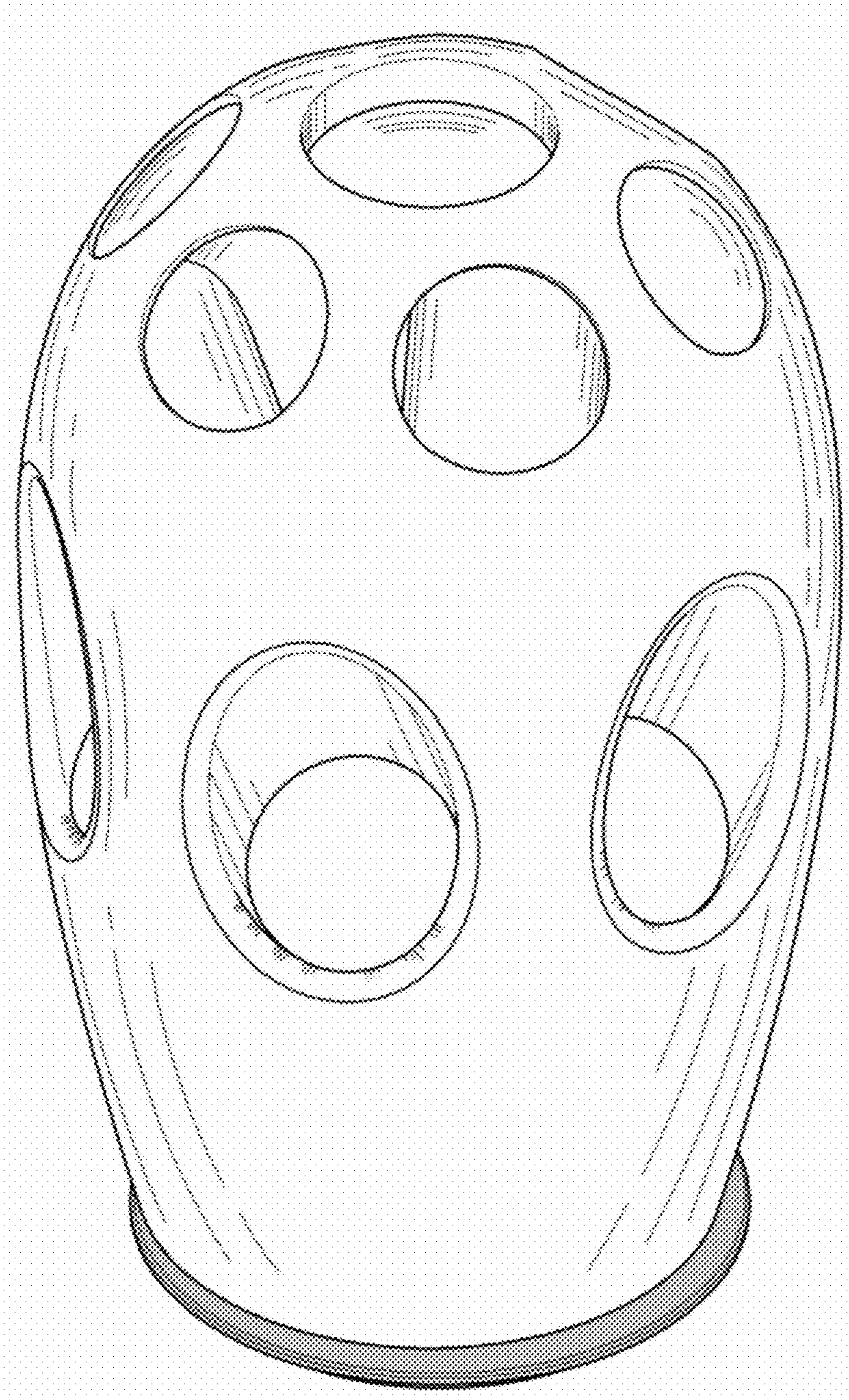
**References Cited**

U.S. PATENT DOCUMENTS

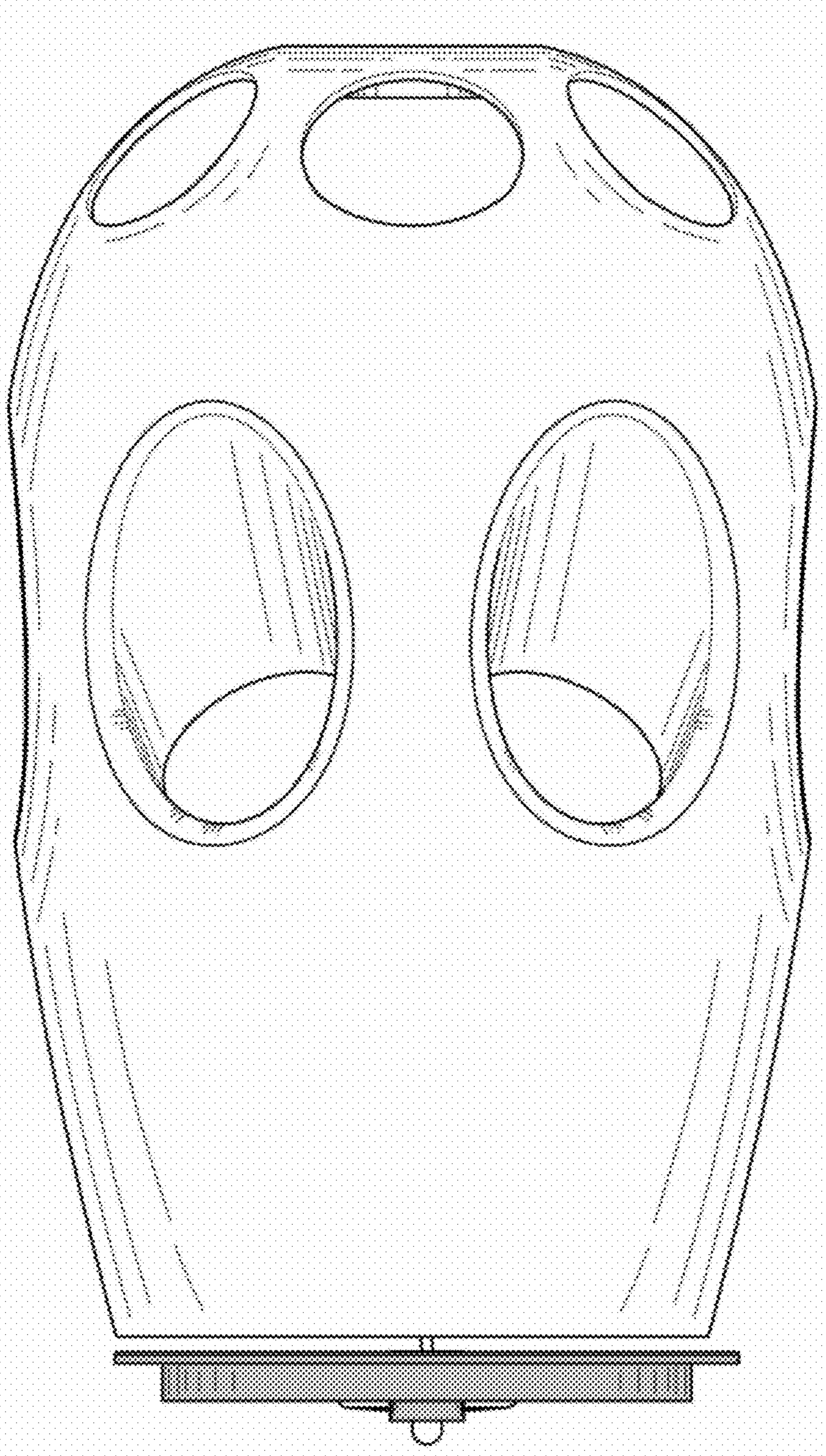
8,069,609 B1 \* 12/2011 Towne ..... A47G 7/06  
206/423  
D656,689 S \* 3/2012 Viola ..... D30/121  
D810,198 S \* 2/2018 Azar ..... D19/90

\* cited by examiner

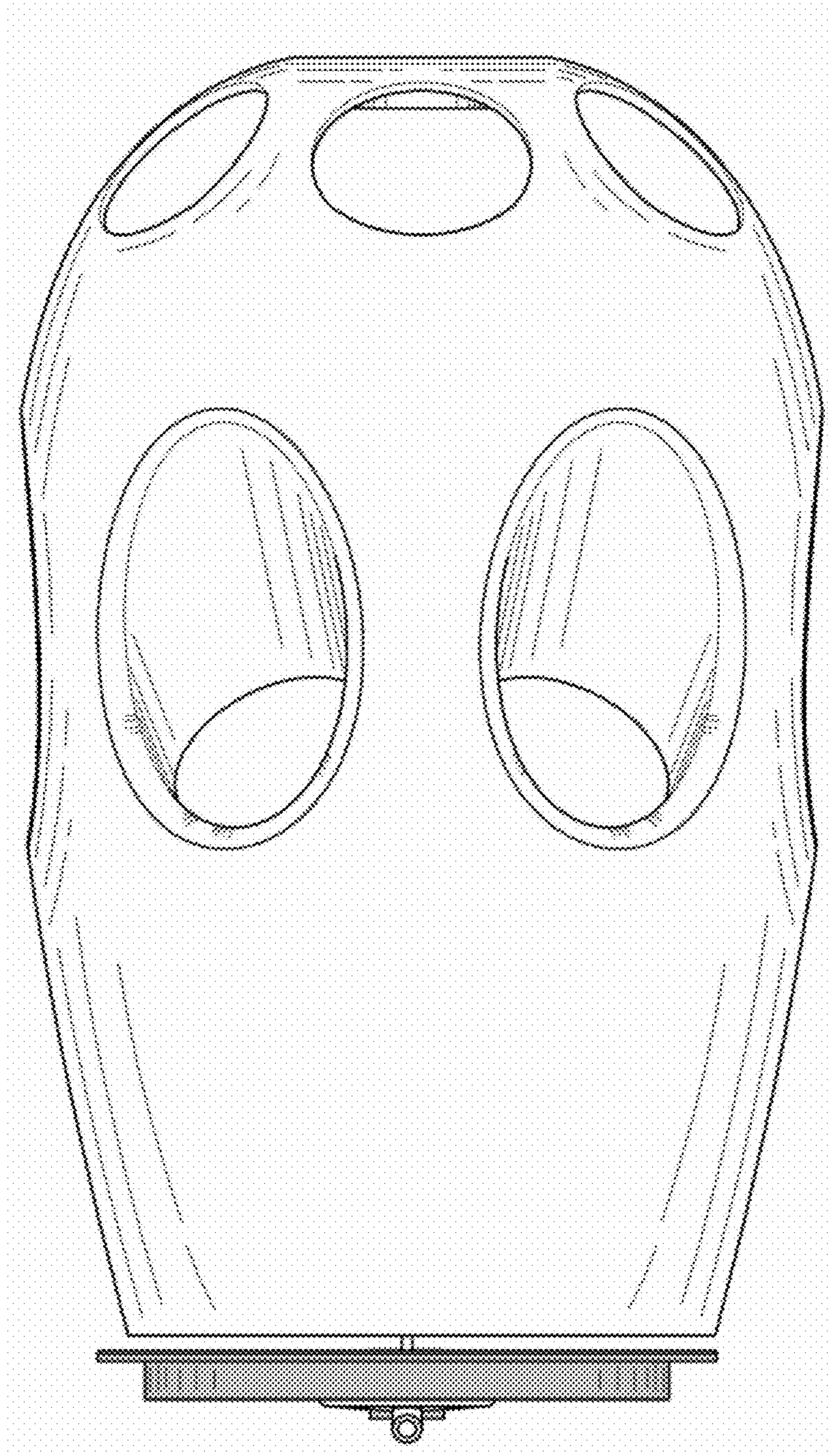
1.1



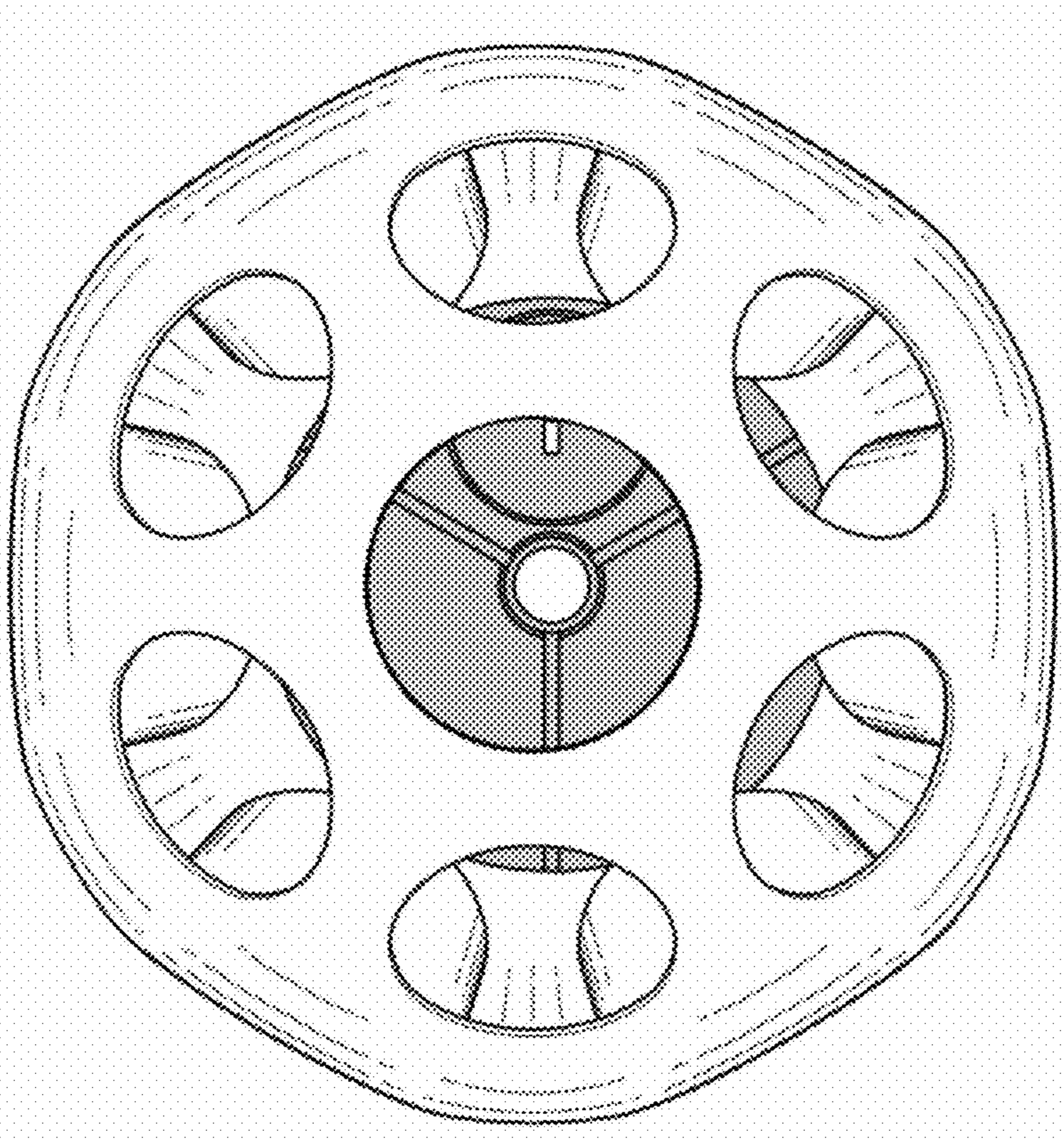
1.2



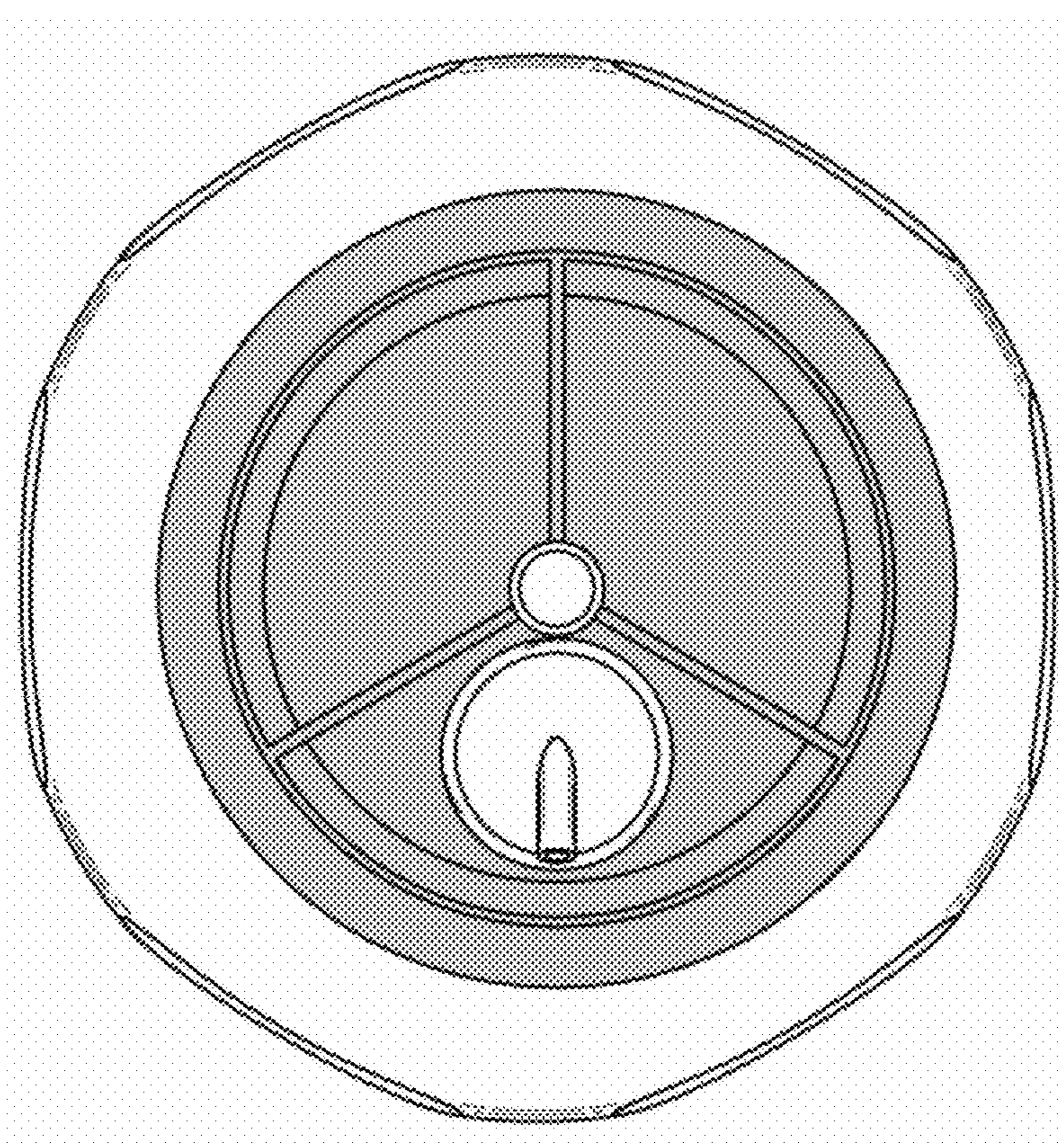
1.3



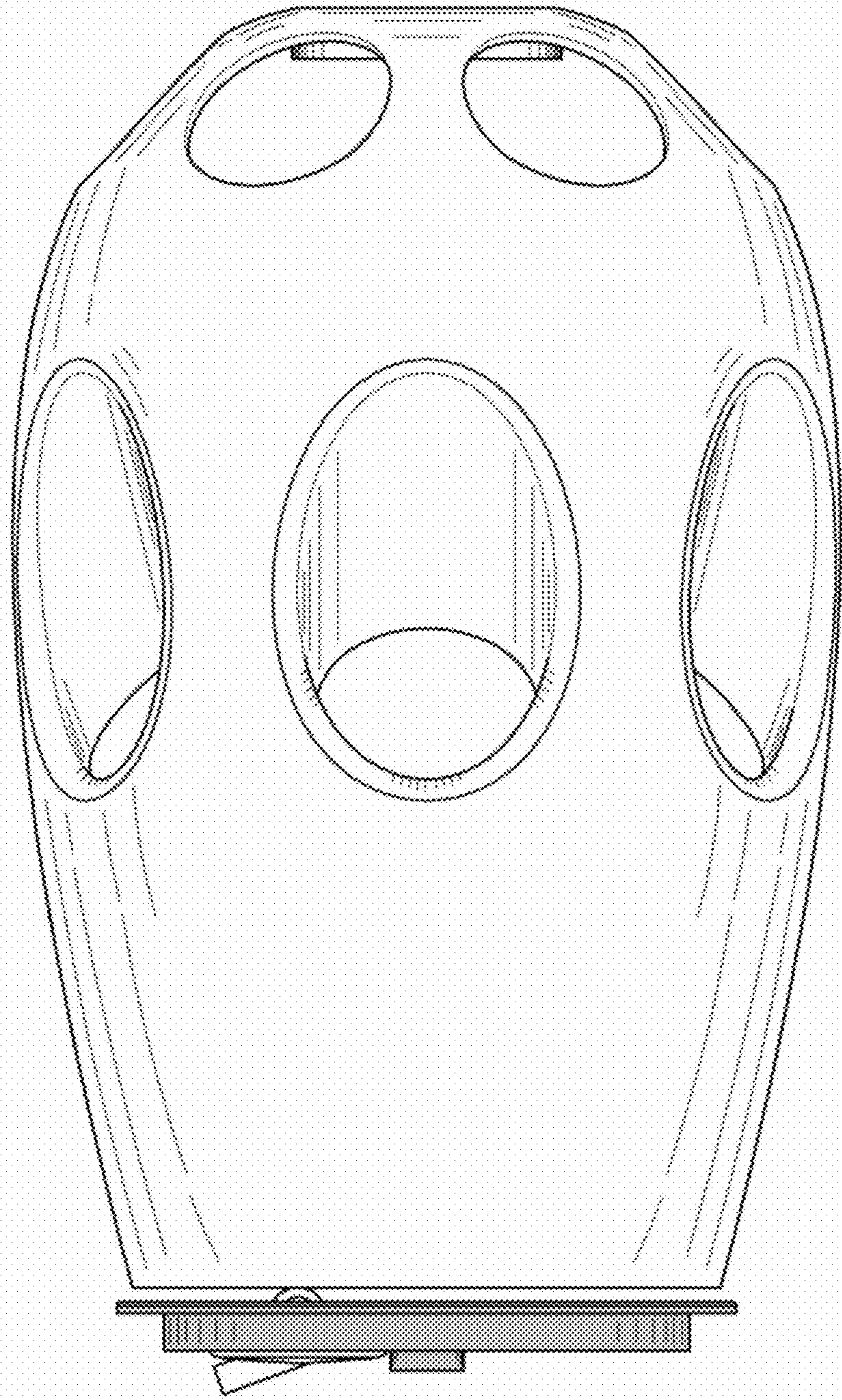
1.4



1.5



1.6





1.7

