



US00D918766S

(12) **United States Design Patent**
Hardy

(10) **Patent No.:** **US D918,766 S**

(45) **Date of Patent:** **** May 11, 2021**

(54) **ARTICLE OF JEWELRY**

(71) Applicant: **CARTIER INTERNATIONAL AG,**
Steinhausen (CH)

(72) Inventor: **Theodora Hardy,** Conflans Sainte
Honorine (FR)

(73) Assignee: **CARTIER INTERNATIONAL AG,**
Steinhausen (CH)

(**) Term: **15 Years**

(21) Appl. No.: **29/694,622**

(22) Filed: **Jun. 12, 2019**

(30) **Foreign Application Priority Data**

Dec. 12, 2018 (WO) WIPO78117

(51) **LOC (13) Cl.** **11-01**

(52) **U.S. Cl.**
USPC **D11/43**

(58) **Field of Classification Search**
USPC D11/1–18, 26, 30, 39, 40–49, 56, 57, 58,
D11/60, 61, 64, 72, 75, 76, 78–86,
D11/95–100, 102–103, 115, 116;
D3/207–212, 318, 232; D2/946
CPC .. A44C 1/00; A44C 3/00; A44C 3/001; A44C
3/004; A44C 3/005; A44C 5/00; A44C
5/02; A44C 7/00; A44C 7/002; A44C
7/003; A44C 7/004; A44C 7/005; A44C
7/006; A44C 7/007; A44C 7/008; A44C
9/00; A44C 9/0007; A44C 9/0015; A44C
9/0023; A44C 9/003; A44C 15/00; A44C
15/0015; A44C 15/002; A44C 15/0025;
A44C 15/005; A44C 15/0055; A44C
21/00; A44C 23/00; A44C 25/00; A44C
25/001; A44C 25/002; A44C 25/005;
A44C 25/007; A44C 25/008
See application file for complete search history.

(56) **References Cited**

U.S. PATENT DOCUMENTS

D143,132 S *	12/1945	Cole	D11/43
D144,906 S *	6/1946	Chernow	D11/93
D147,962 S *	11/1947	Deutsch	D11/75
D150,580 S *	8/1948	Katz	D11/43
D150,733 S *	8/1948	Katz	D11/43
D150,780 S *	8/1948	Katz	D11/43
D150,961 S *	9/1948	Katz	D11/9
D151,134 S *	9/1948	Katz	D11/75
D153,409 S *	4/1949	Weinreich	D11/2
D159,075 S *	6/1950	Katz	D11/9

(Continued)

OTHER PUBLICATIONS

CRH8000054—Panthère de Cartier, as archived on Jul. 8, 2017, [online], [site visited Oct. 13, 2020]. Retrieved from url:https://web.archive.org/web/20170708123400/https://www.en.cartier.com/collections/jewelry/categories/earrings/panthere-de-cartier/h8000054-panthere-de-cartier-earrings.html (Year: 2017).*

Primary Examiner — Wendy L Arminio

Assistant Examiner — Tracey J Bell

(74) *Attorney, Agent, or Firm* — Oliff PLC

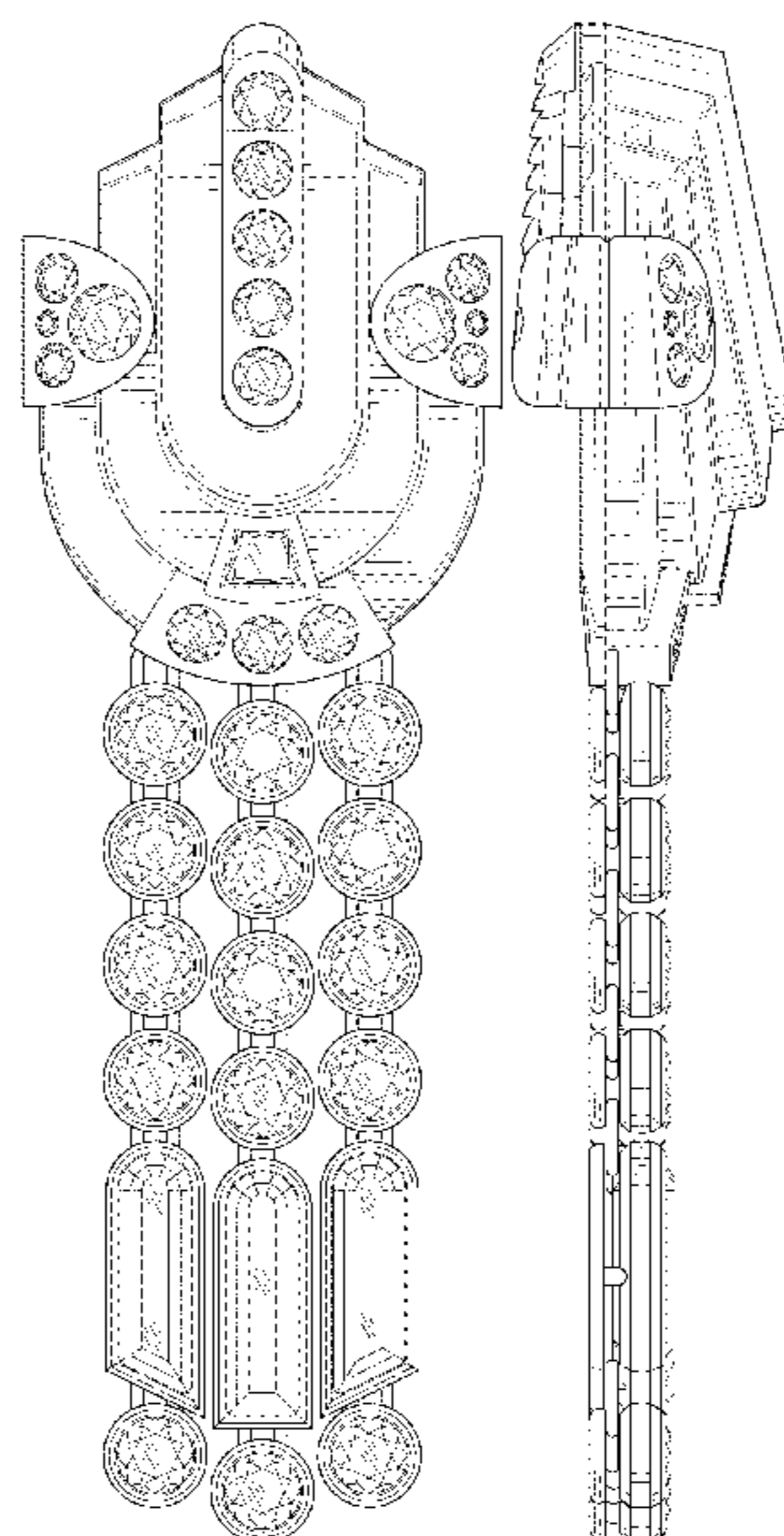
(57) **CLAIM**

The ornamental design for an article of jewelry, as shown and described.

DESCRIPTION

FIG. 1 is a front elevational view of the article of jewelry; FIG. 2 is a left-side elevational view thereof, the right-side elevational view (not provided) being a mirror image thereof; FIG. 3 is a rear elevational view thereof; FIG. 4 is a bottom plan view thereof; FIG. 5 is a top plan view thereof; and, FIG. 6 is a front, right-side, top perspective view thereof. The broken lines depict portions of the article of jewelry that form no part of the claimed design.

1 Claim, 5 Drawing Sheets



(56)

References Cited

U.S. PATENT DOCUMENTS

D171,504 S	*	2/1954	Katz	D11/43
D279,879 S	*	7/1985	Moon	D11/43
D308,652 S	*	6/1990	Bulgari	D11/43

* cited by examiner

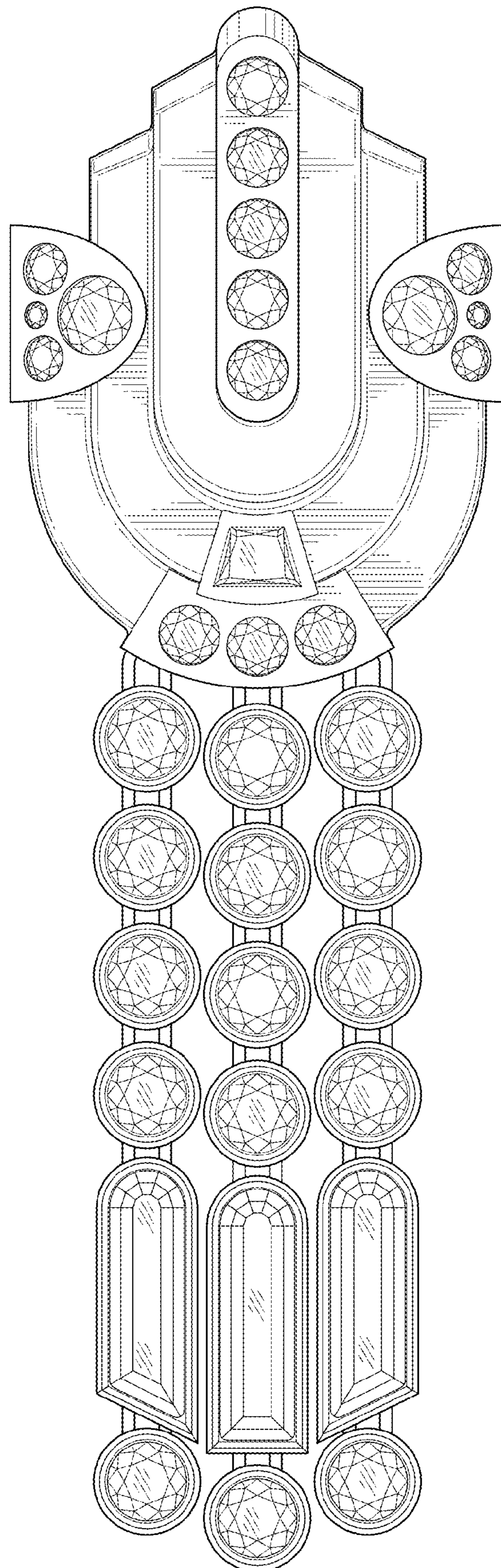


FIG. 1

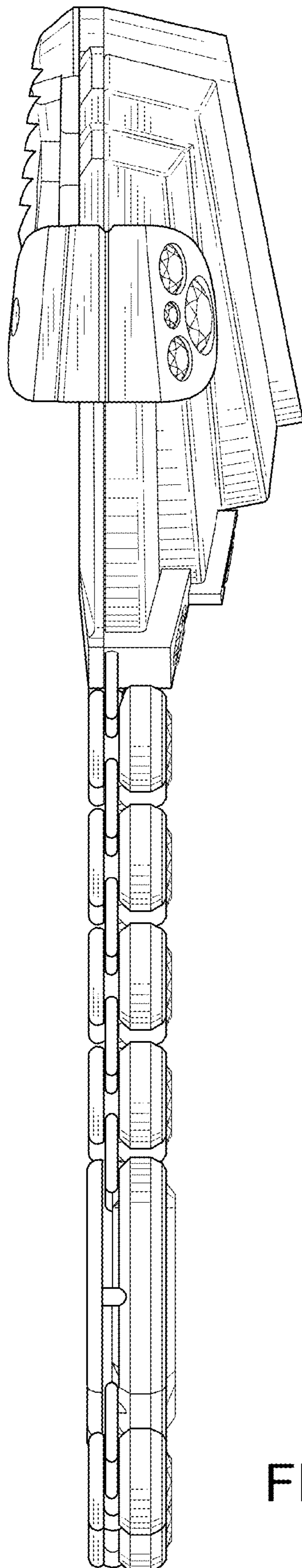


FIG. 2

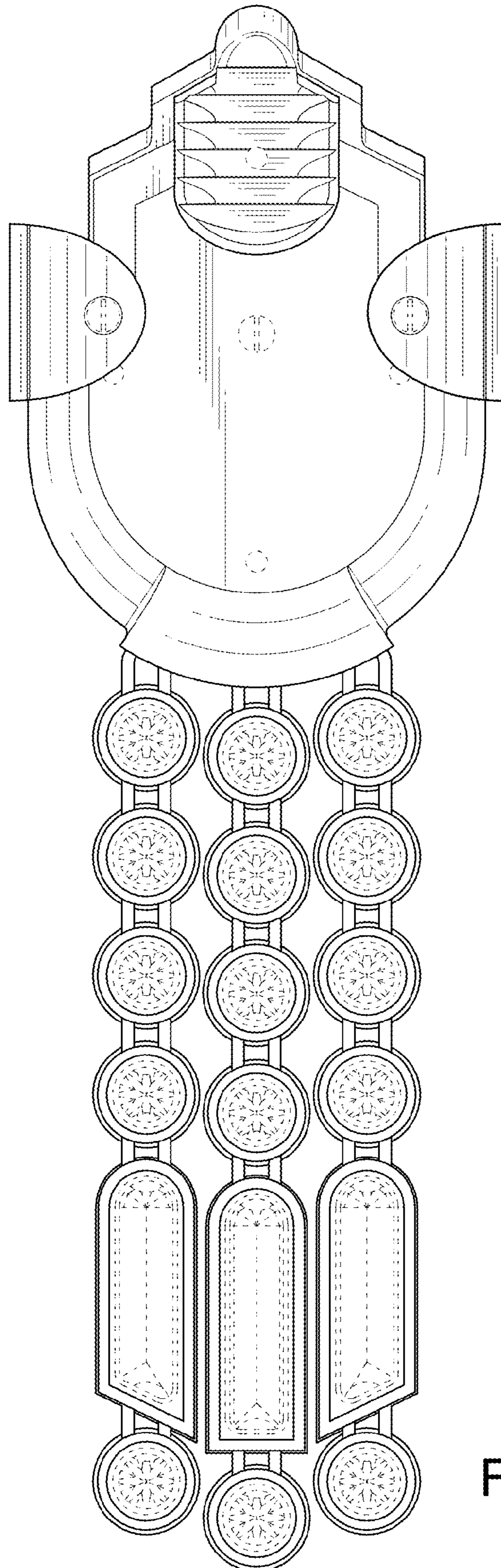


FIG. 3

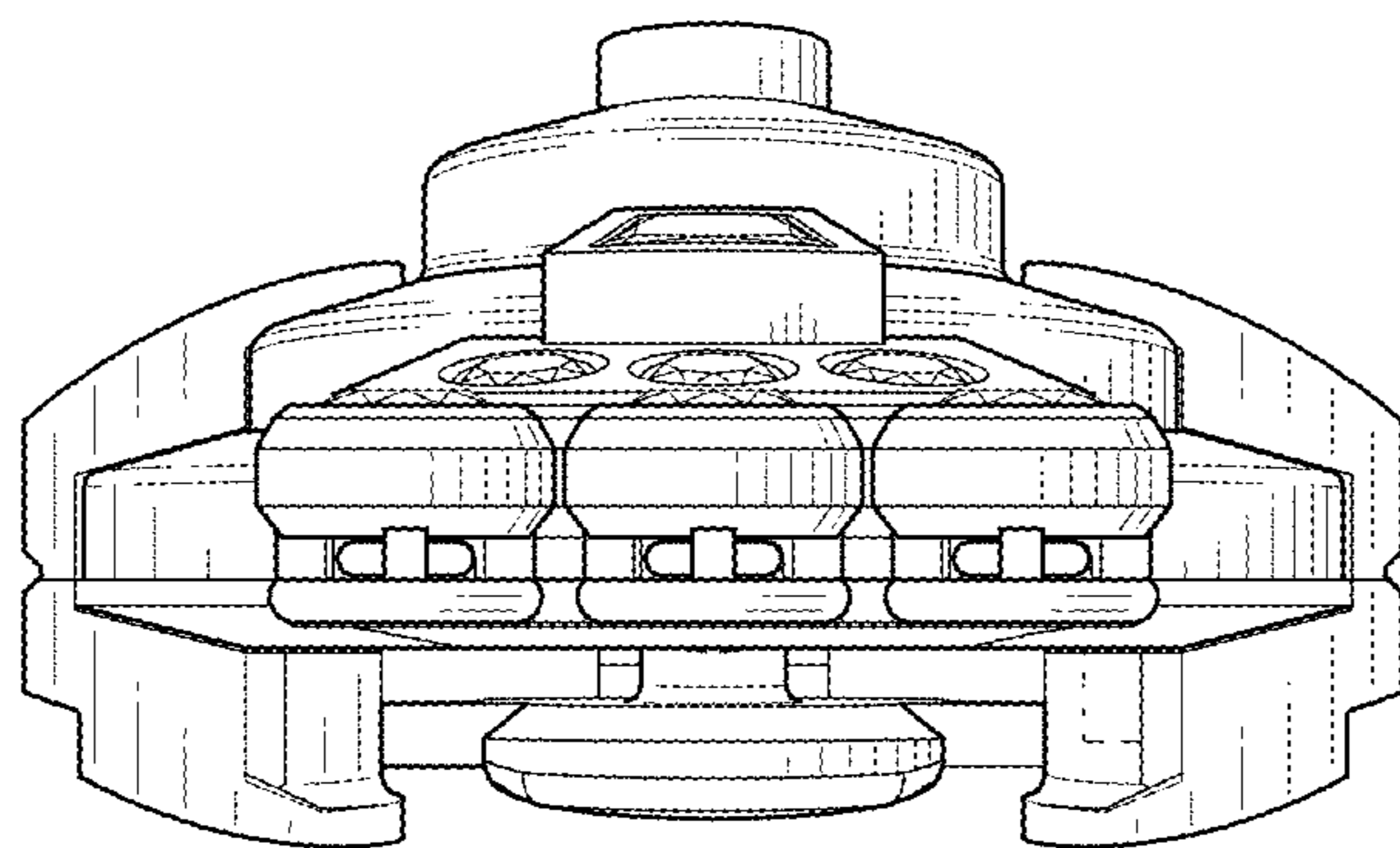


FIG. 4

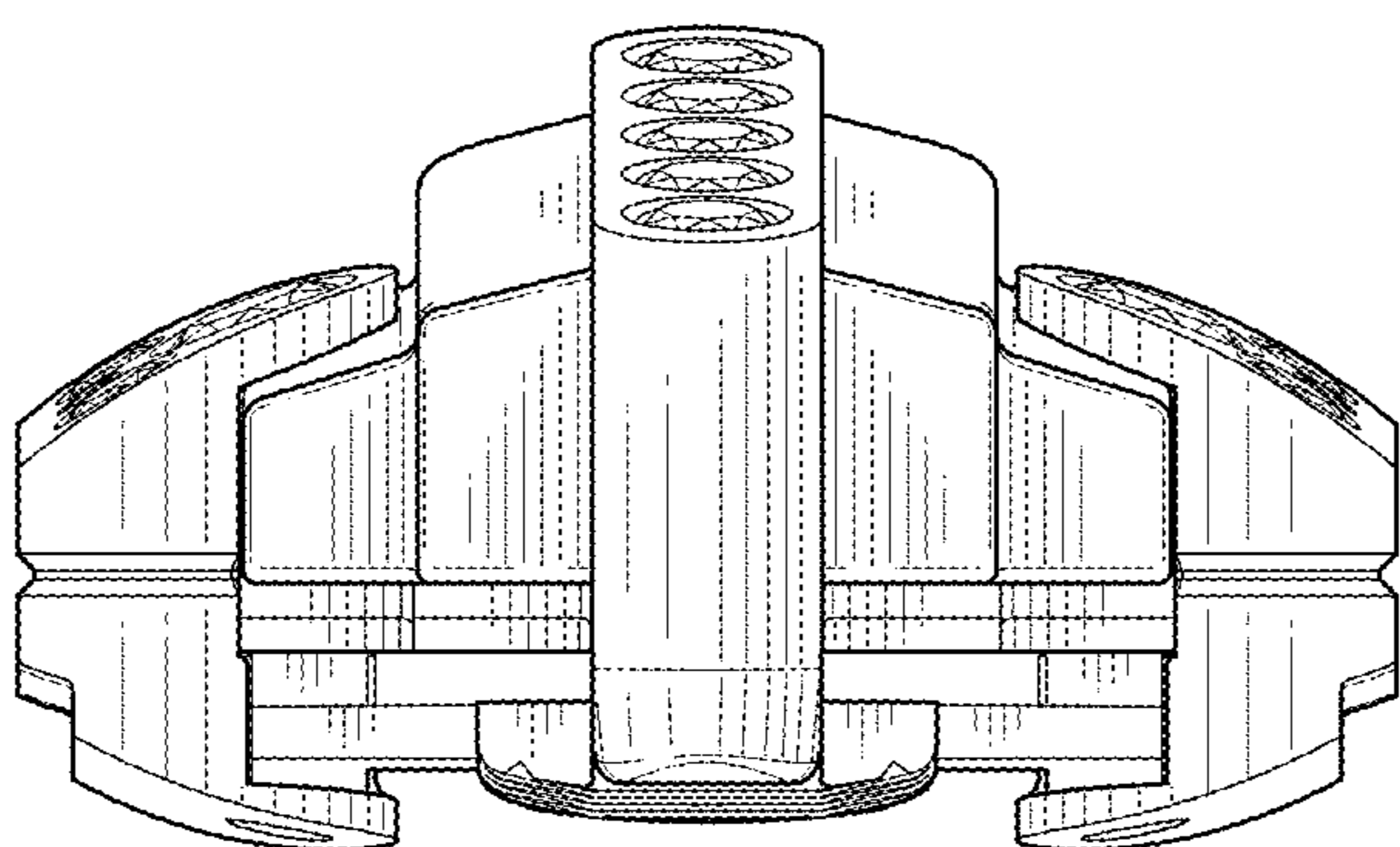


FIG. 5

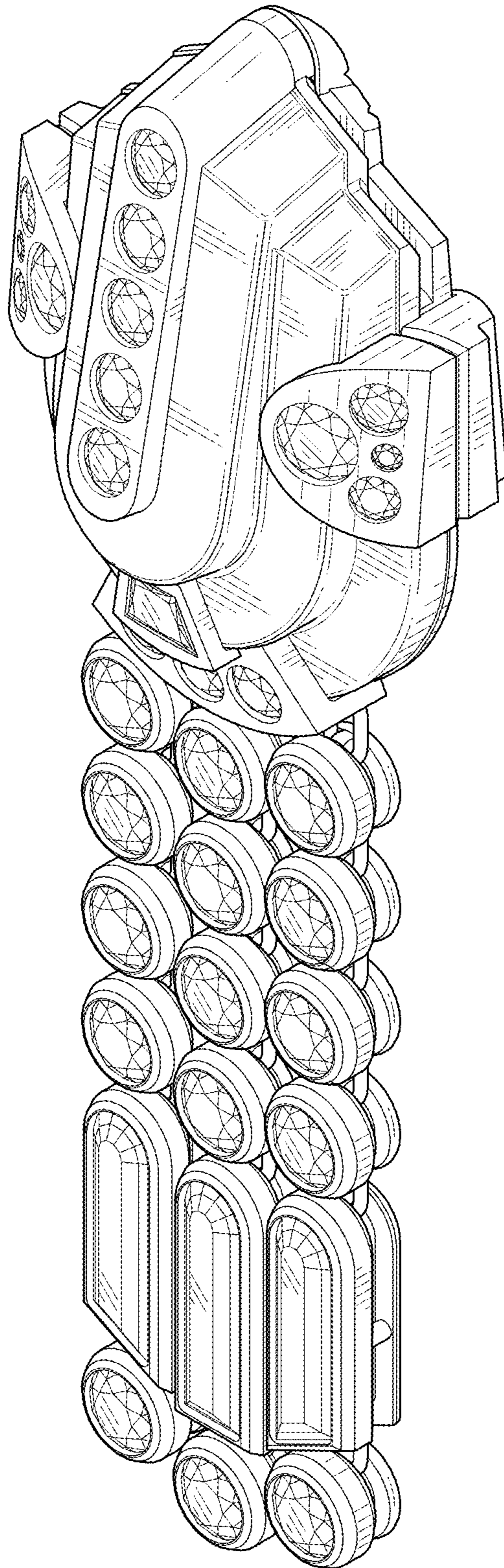


FIG. 6