



US00D918759S

(12) **United States Design Patent**
Liu

(10) **Patent No.:** **US D918,759 S**
(45) **Date of Patent:** **** May 11, 2021**

(54) **WRISTBAND FOR AN ELECTRONIC DEVICE**

(71) Applicant: **Michael Liu**, FoShan (CN)

(72) Inventor: **Michael Liu**, FoShan (CN)

(73) Assignee: **World Richman Manufacturing Corporation**, Elgin, IL (US)

(**) Term: **15 Years**

(21) Appl. No.: **29/649,895**

(22) Filed: **Jun. 3, 2018**

(51) **LOC (13) Cl.** **11-01**

(52) **U.S. Cl.**
USPC **D11/3**

(58) **Field of Classification Search**
USPC D10/31, 32, 38, 39, 46, 70; D11/1–25,
D11/86, 87; D14/344

(Continued)

(56) **References Cited**

U.S. PATENT DOCUMENTS

D152,235 S * 1/1949 Augenstein D11/22
D333,626 S * 3/1993 Chang D10/32
(Continued)

OTHER PUBLICATIONS

China_New_Arrival_2-Piece_Magnetic_Mesh_Watch_Straps (available online) Retrieved from the internet May 10, 2019 from URL: <https://erhongproducts.en.made-in-china.com/product/hCgJiOsbszcN/China-New-Arrival-2-Piece-Magnetic-Mesh-Watch-Straps-Wholesale.html>.*

(Continued)

Primary Examiner — Kevin K Rudzinski

Assistant Examiner — Richard Kearney

(74) *Attorney, Agent, or Firm* — Christopher J. Scott

(57) **CLAIM**

The ornamental design for the wristband for an electronic device, as shown and described.

DESCRIPTION

FIG. 1 is a plan view of a first side of a long segment of a wristband for an electronic device.

FIG. 2 is an edge view of the long segment of the wristband for an electronic device.

FIG. 3 is a plan view of a second side of the long segment of the wristband for an electronic device.

FIG. 4 is a first end view of the long segment of the wristband for an electronic device.

FIG. 5 is a second end view of the long segment of the wristband for an electronic device.

FIG. 6 is a first perspective view of the long segment of the wristband for an electronic device.

FIG. 7 is a second perspective view of the long segment of the wristband for an electronic device.

FIG. 8 is a plan view of a first side of a short segment of the wristband for an electronic device.

FIG. 9 is an edge view of the short segment of the wristband for an electronic device.

FIG. 10 is a plan view of a second side of the short segment of the wristband for an electronic device.

FIG. 11 is a first end view of the short segment of the wristband for an electronic device.

FIG. 12 is a second end view of the short segment of the wristband for an electronic device.

FIG. 13 is a plan view of a first side of the long segment coupled to the short segment of the wristband for an electronic device.

FIG. 14 is an edge view of the long segment coupled to the short segment of the wristband for an electronic device.

FIG. 15 is a plan view of a second side of the long segment coupled to the short segment of the wristband for an electronic device.

FIG. 16 is a first end view of the long segment coupled to the short segment of the wristband for an electronic device.

FIG. 17 is a second end view of the long segment coupled to the short segment of the wristband for an electronic device.

(Continued)

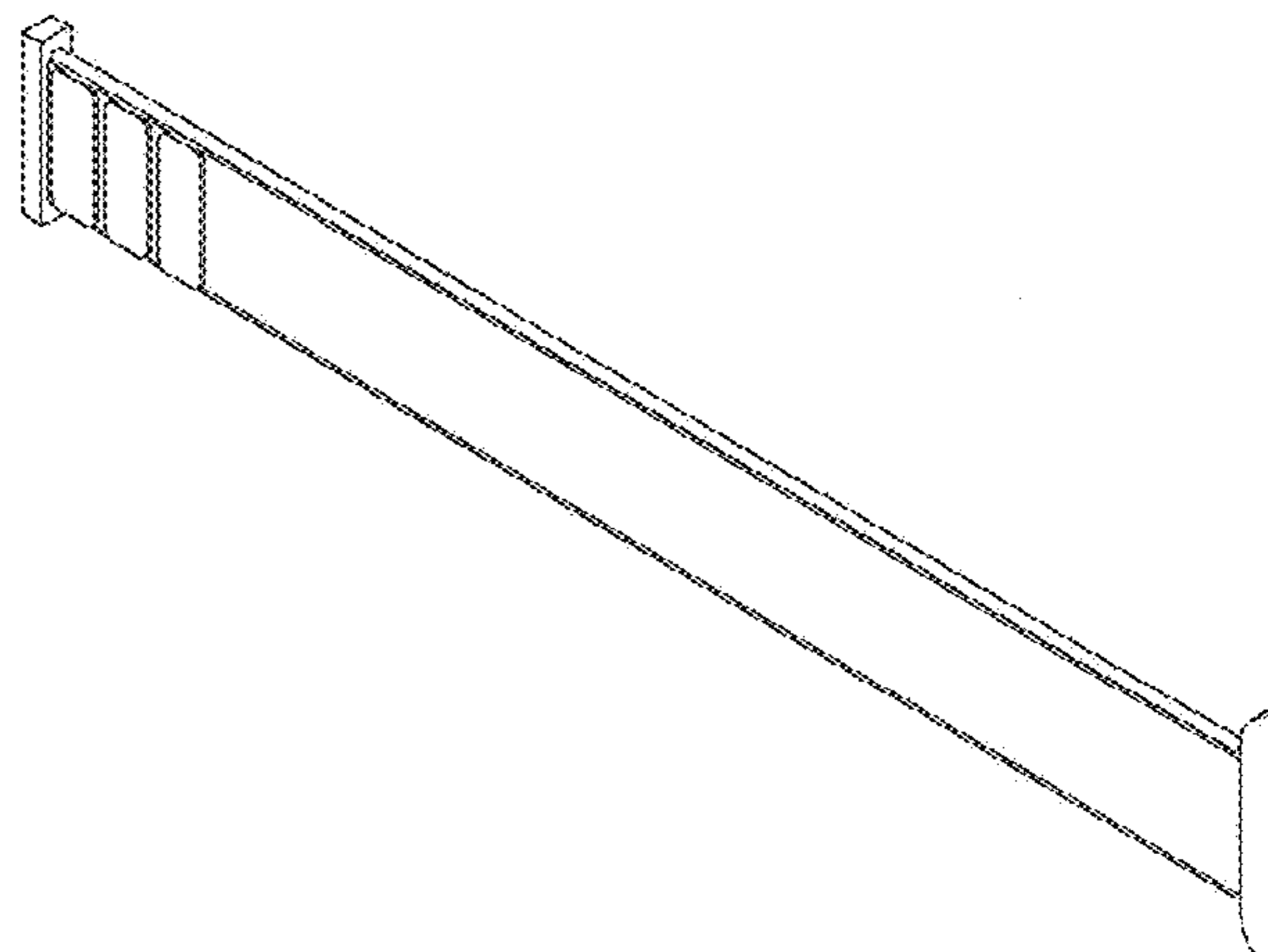
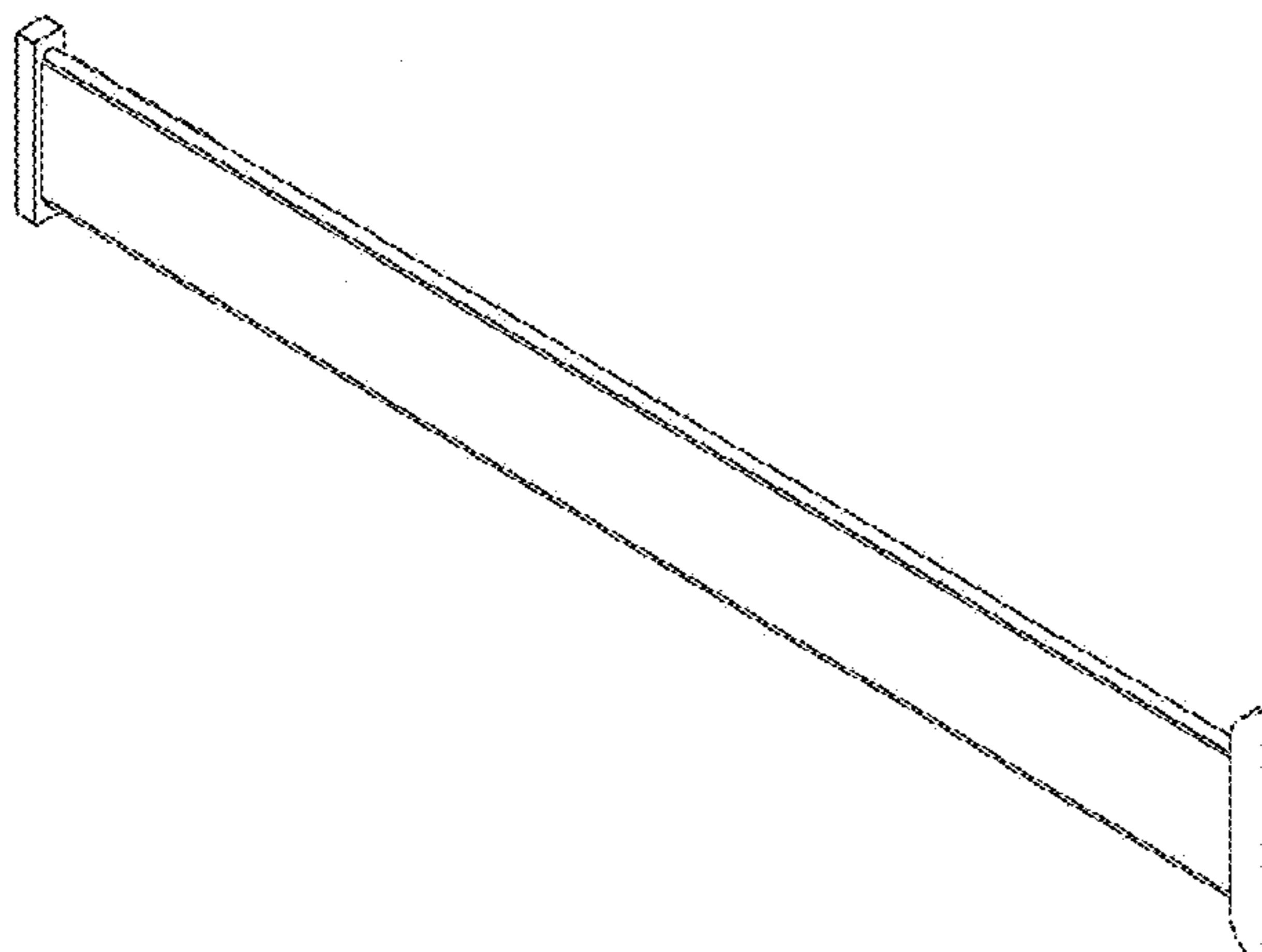


FIG. 18 is a first perspective view of the long segment coupled to the short segment of the wristband for an electronic device; and,

FIG. 19 is a second perspective view of the long segment coupled to the short segment of the wristband for an electronic device.

The broken lines shown in the drawings illustrate end portions of the wristband for an electronic device and form no part of the claimed design.

1 Claim, 5 Drawing Sheets

(58) **Field of Classification Search**

CPC A44C 5/12; A44C 5/14; A44C 5/18; A44C 5/0053; A44C 5/0069; A44C 5/0076; A44C 5/00; A44C 5/0007; A44C 5/0015; A44C 5/0023; A44C 5/003; A44C 5/0061; A44C 5/147; A44C 5/185; A44C 5/2047; A44C 5/2052; G04B 37/00; G04B 37/1486; A44B 11/006; A44B 11/24; A61B 5/681

See application file for complete search history.

(56)

References Cited

U.S. PATENT DOCUMENTS

D335,263	S	*	5/1993	Willis	273/DIG. 30
D349,468	S	*	8/1994	Souren	D11/3
D714,178	S	*	9/2014	Sabbioni	D11/3
D731,346	S	*	6/2015	Akana	D11/3
D735,588	S	*	8/2015	Shimunov	D10/32
D828,208	S	*	9/2018	Blanc	D11/6
D837,082	S	*	1/2019	Akana	D11/3
D848,894	S	*	5/2019	Yu	D11/3
D853,881	S	*	7/2019	Akana	D11/3
D857,543	S	*	8/2019	Sirichai	D11/3
D904,918	S	*	12/2020	Du	D11/3

OTHER PUBLICATIONS

UAG Apple Watch Series (available online) Retrieved from the internet Apr. 26, 2020 from URL: <https://www.mytrendyphone.eu/shop/uag-apple-watch-series-4-3-2-1-active-strap-242747p.html>.*

Two piece milanese loop strap for apple watch band (available online) Retrieved from the internet Apr. 26, 2020 from URL: <https://www.aliexpress.com/i/33028320188.html>.*

* cited by examiner

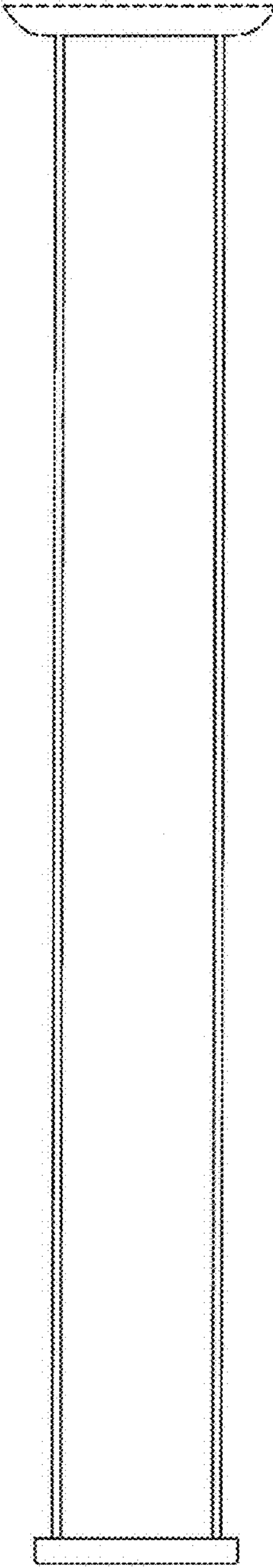


FIG.1

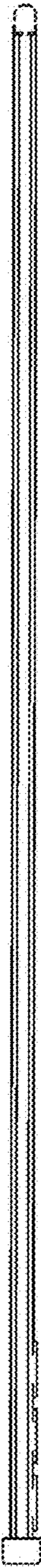


FIG.2

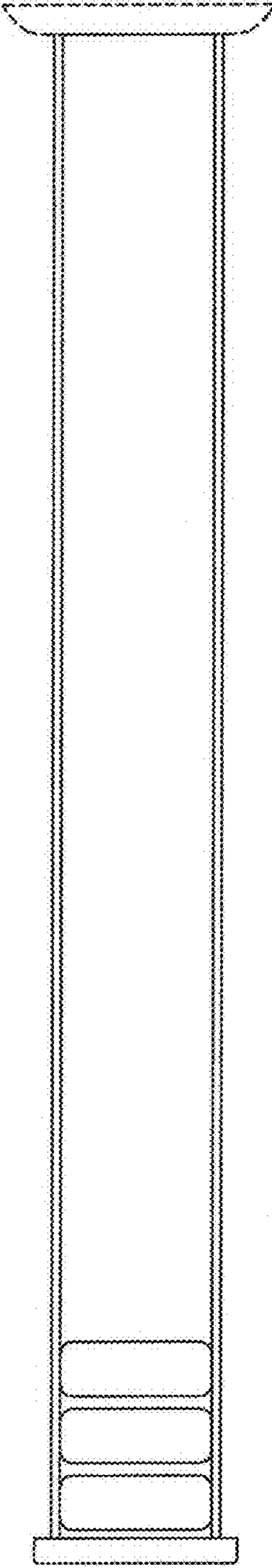


FIG.3

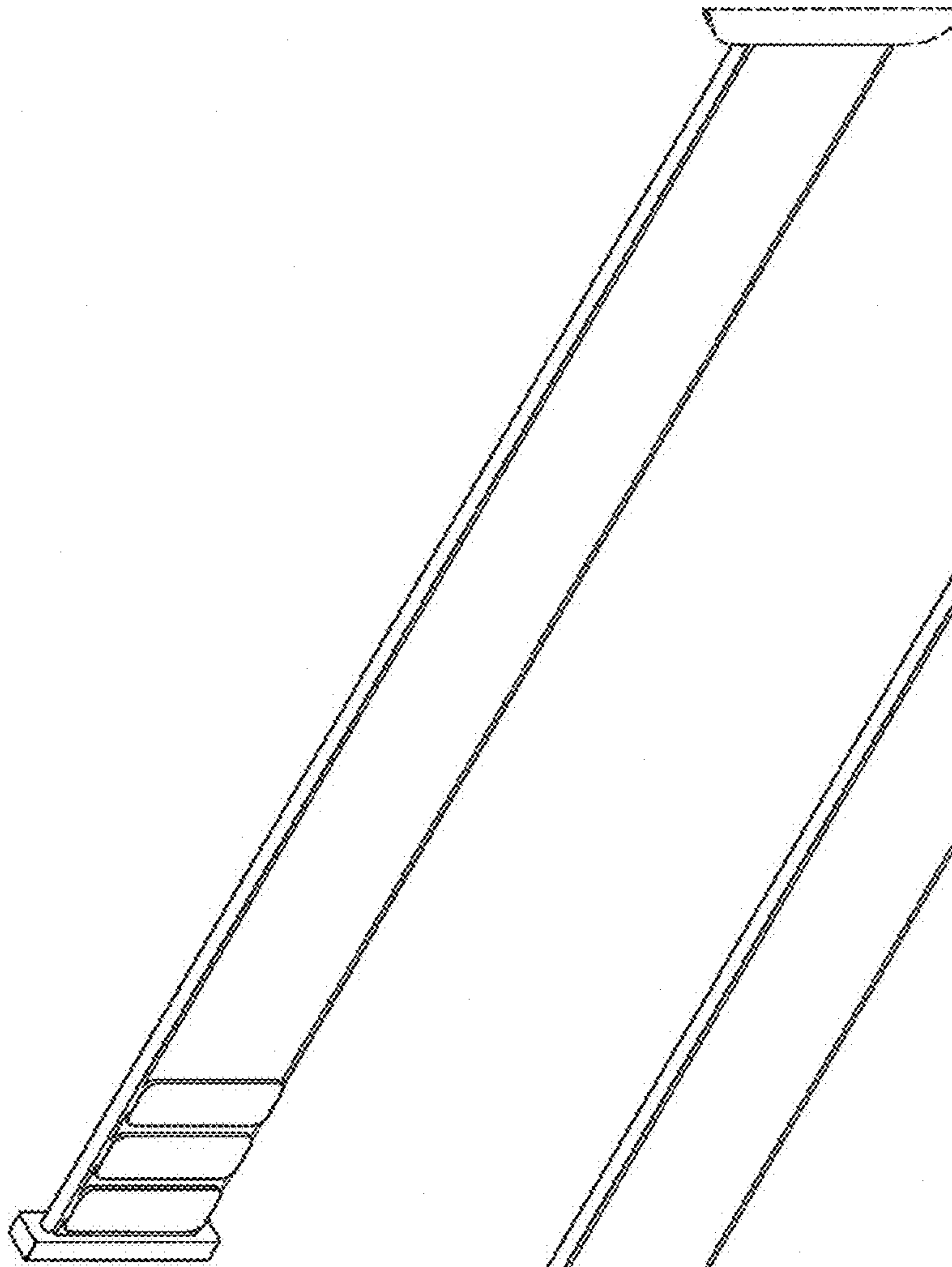


FIG.7

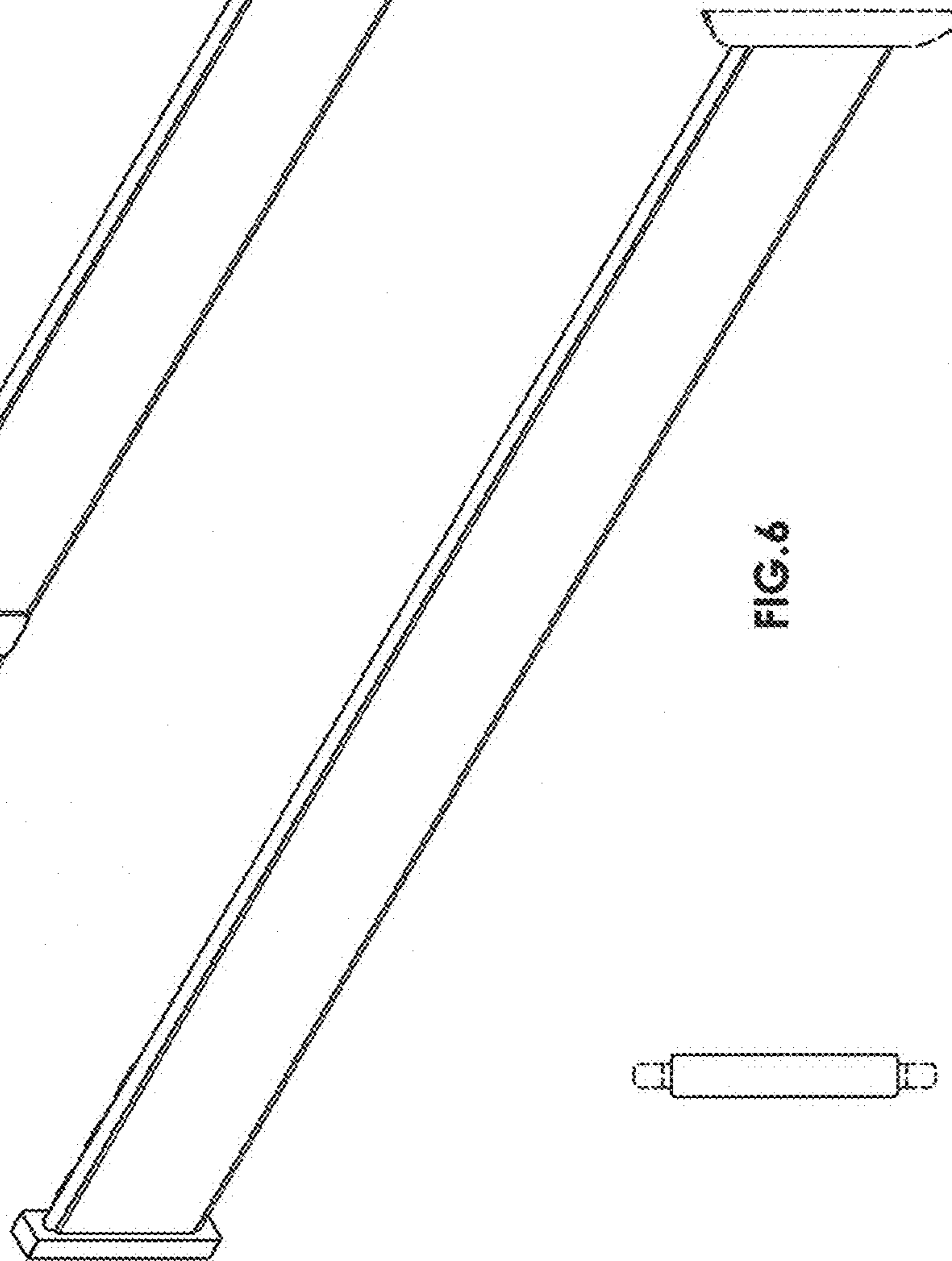


FIG.6

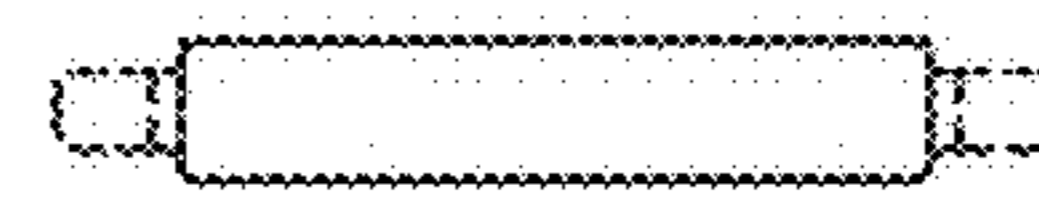


FIG.5

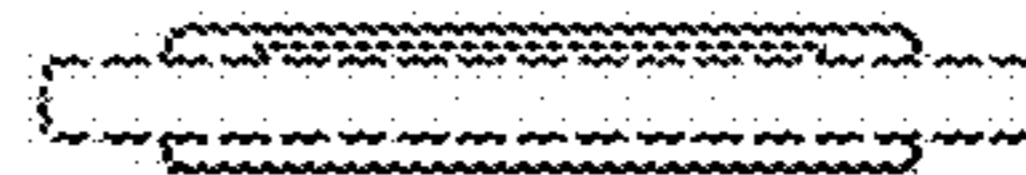


FIG.4

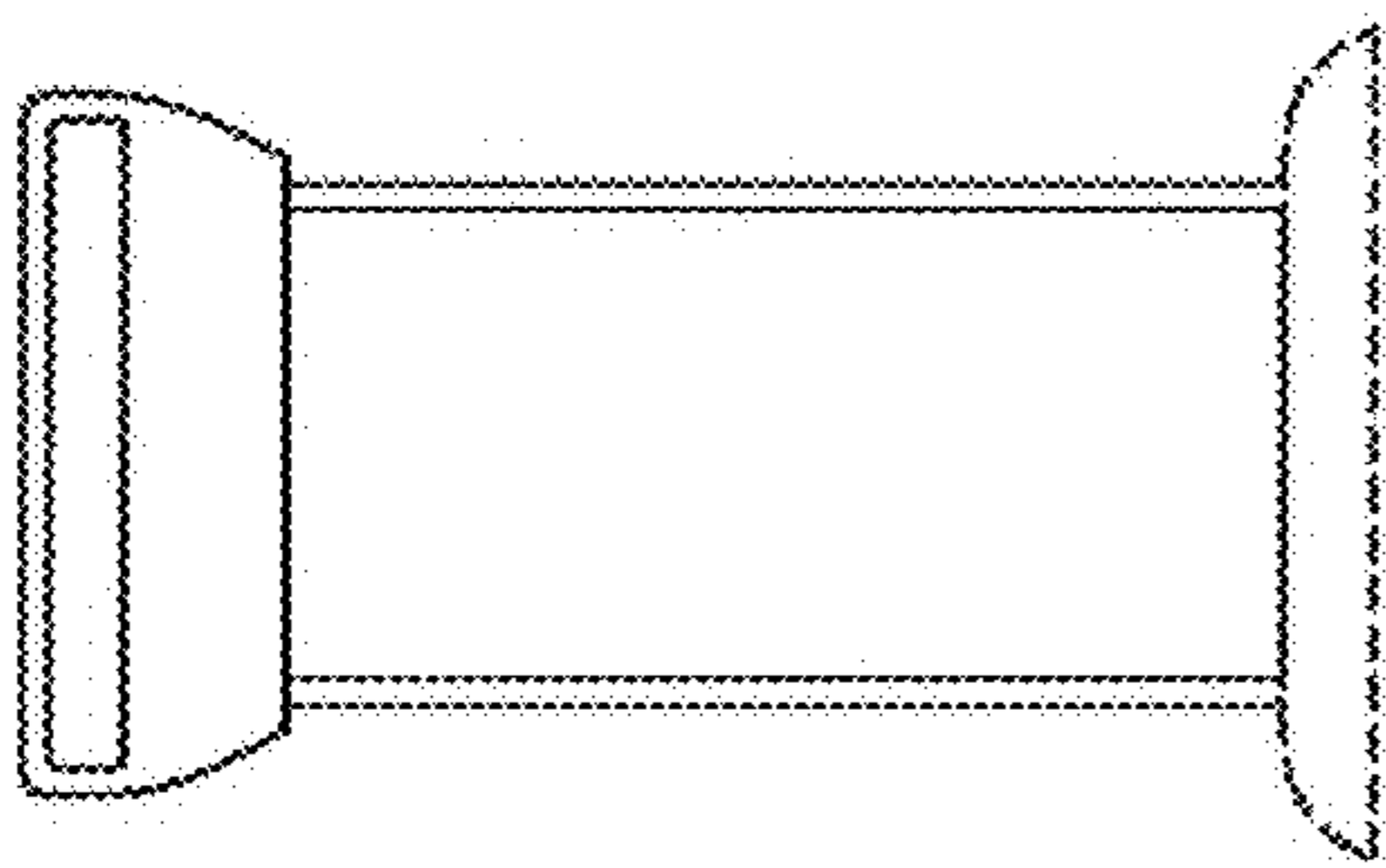


FIG. 8

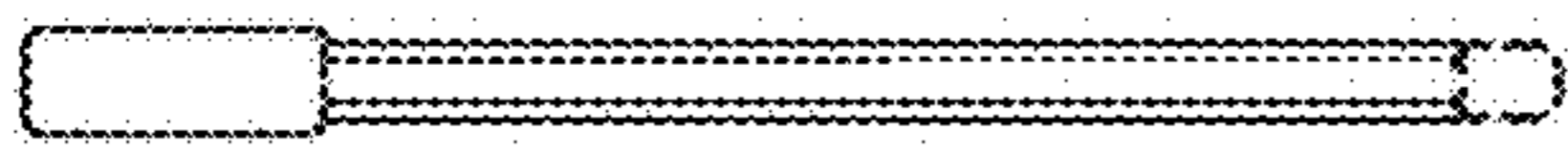


FIG. 9

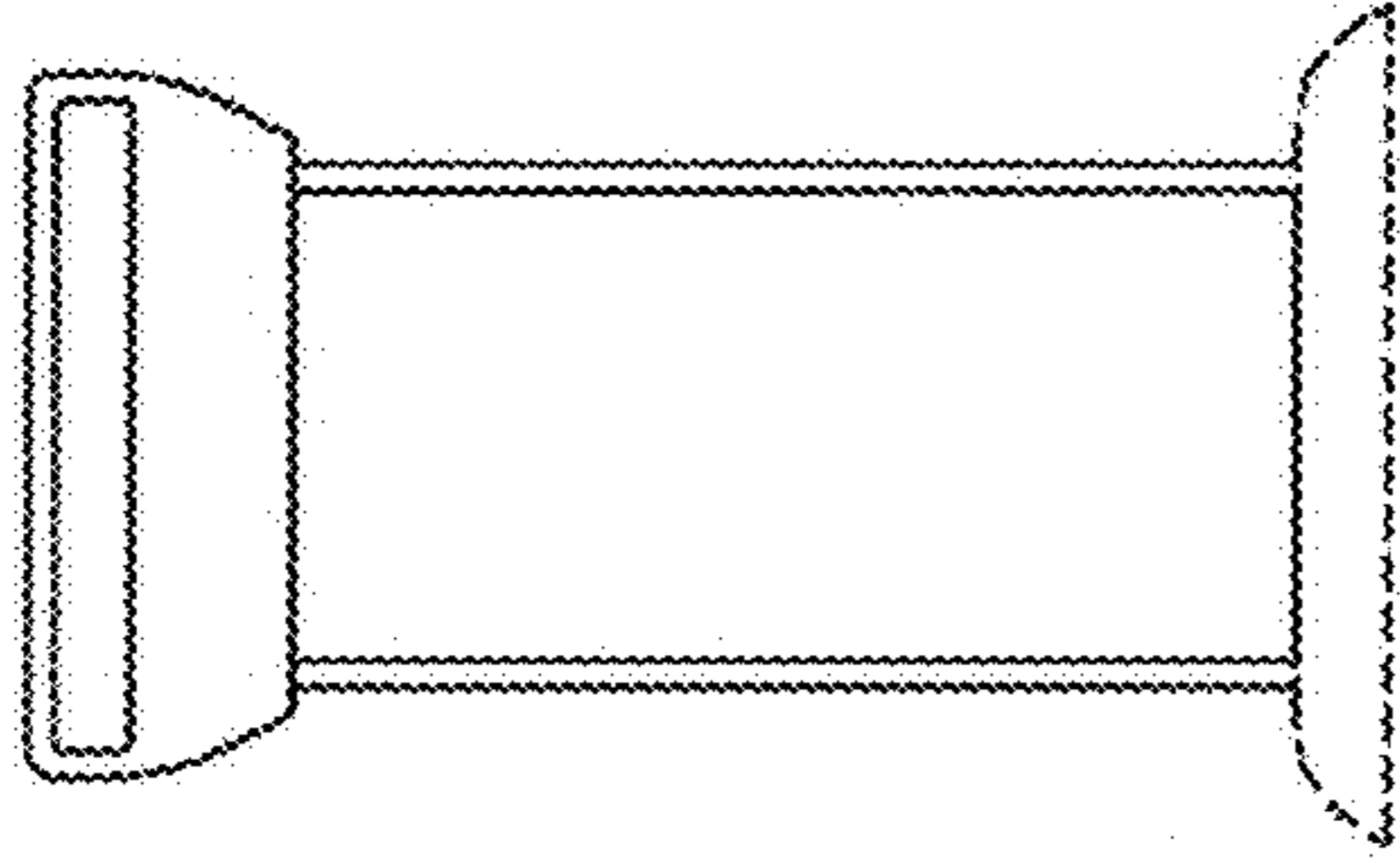


FIG. 10



FIG. 11

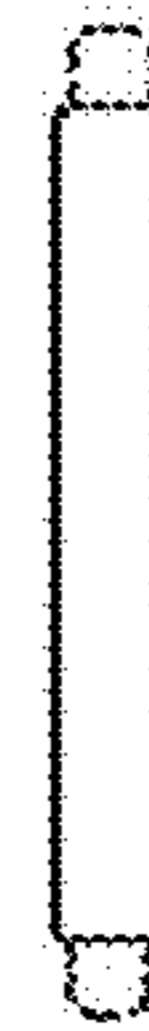


FIG. 12

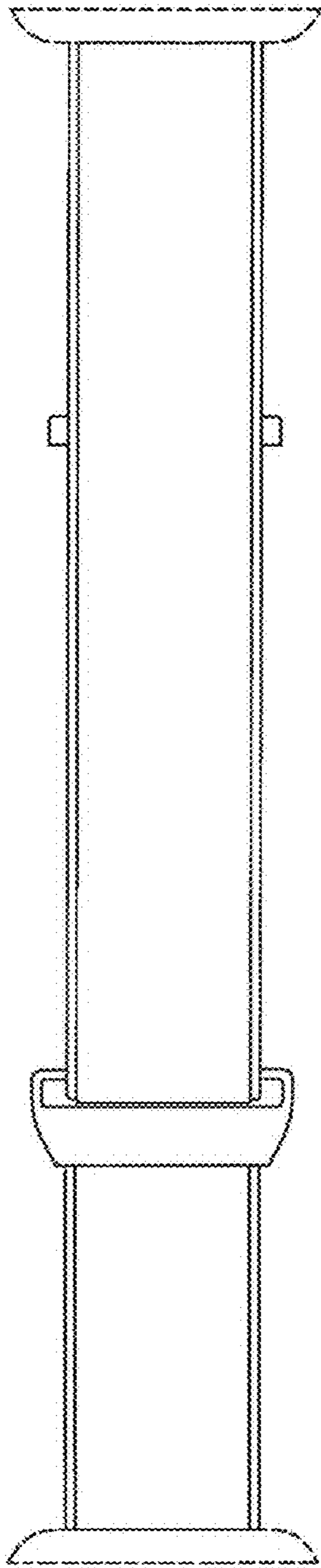


FIG. 13

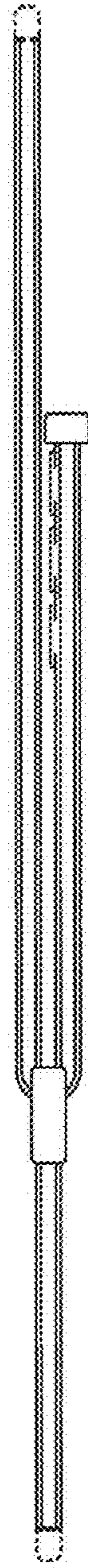


FIG. 14

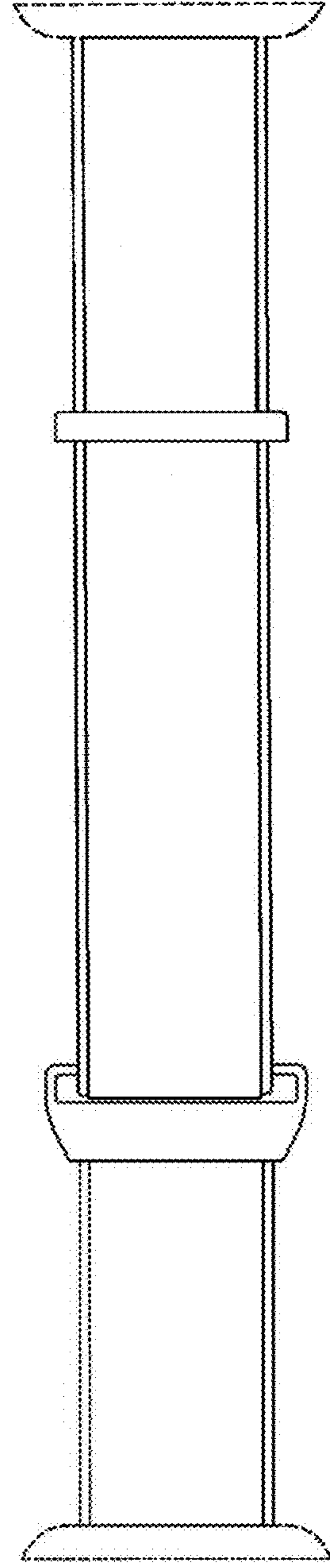


FIG. 15

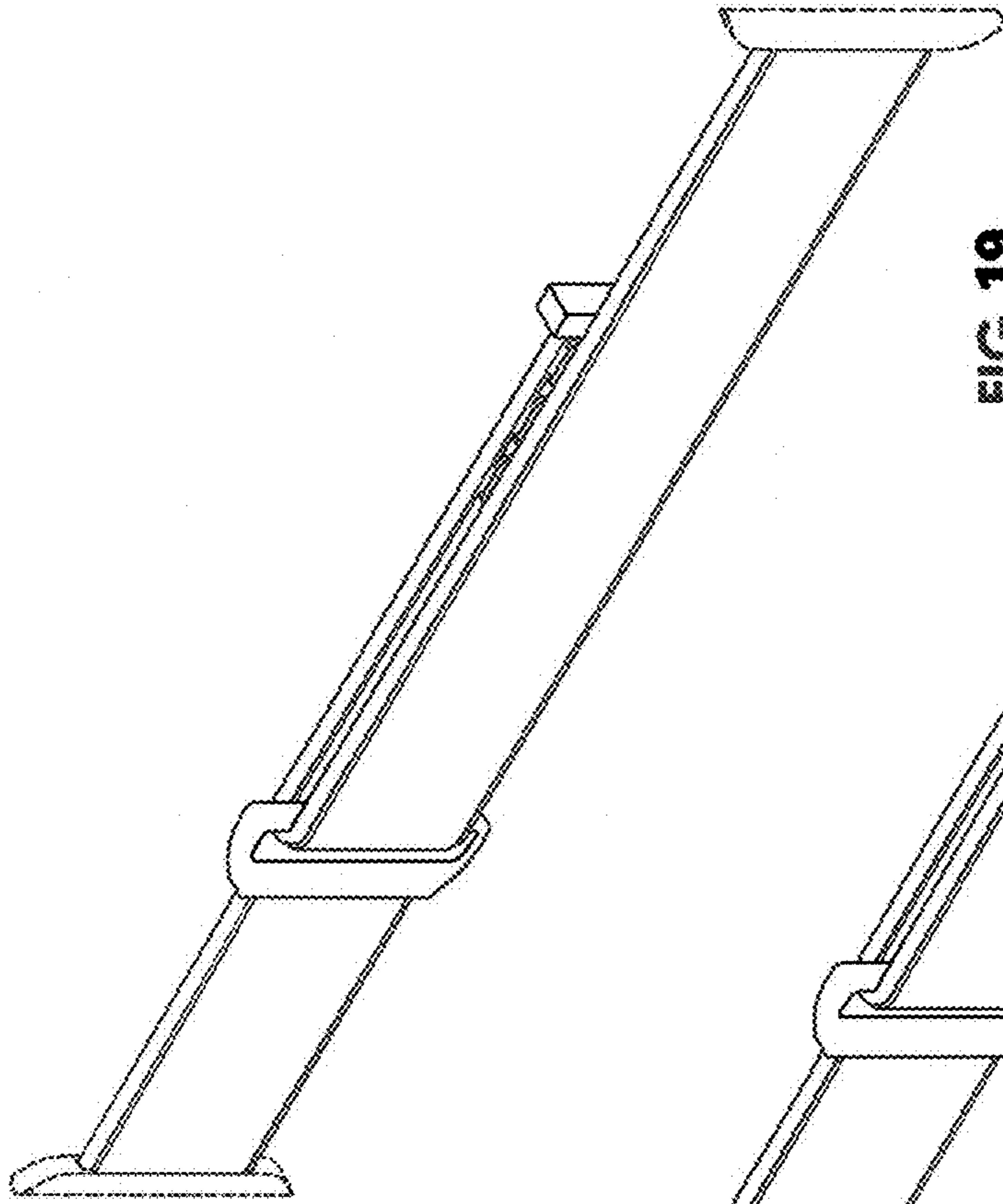


FIG. 19

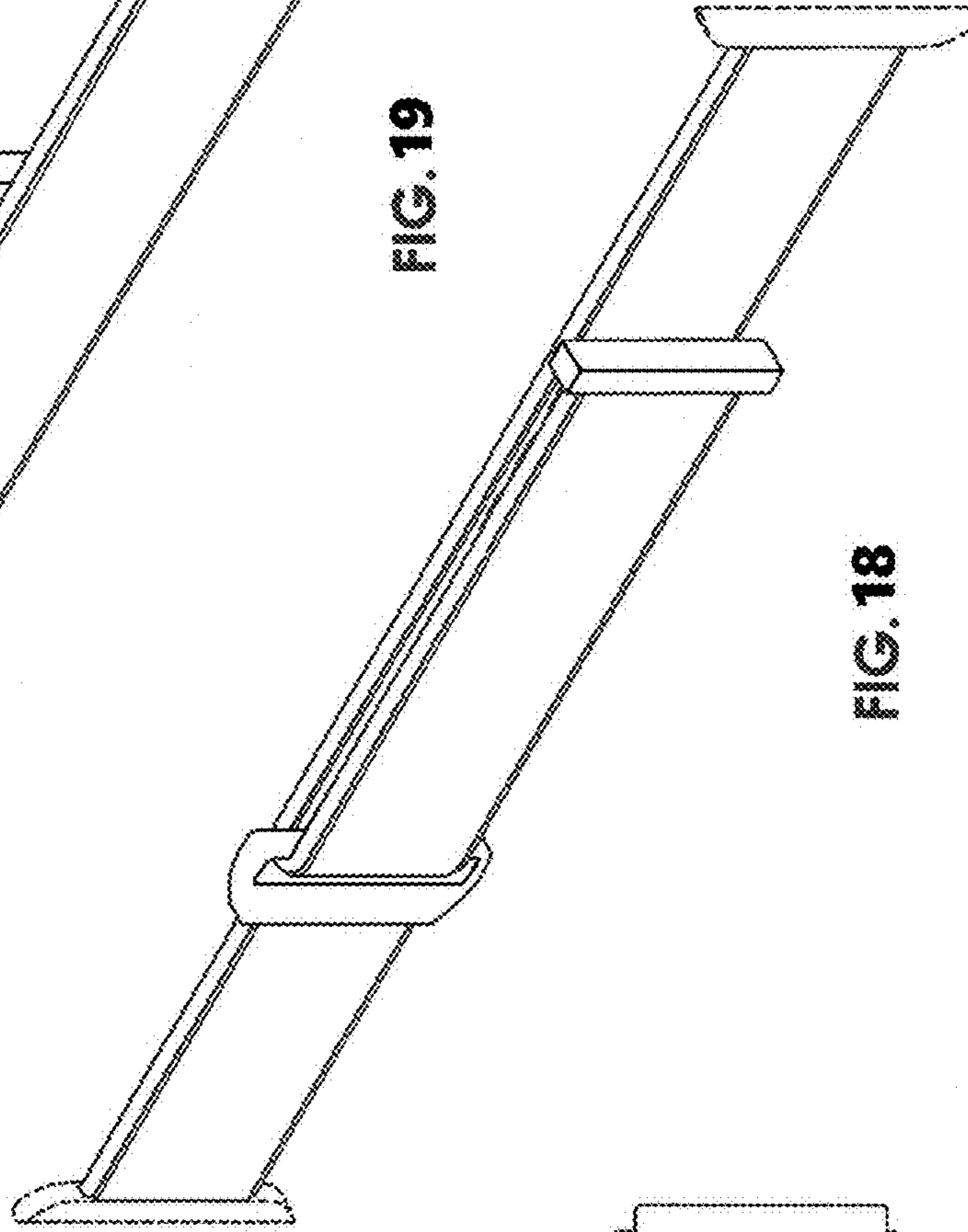


FIG. 18

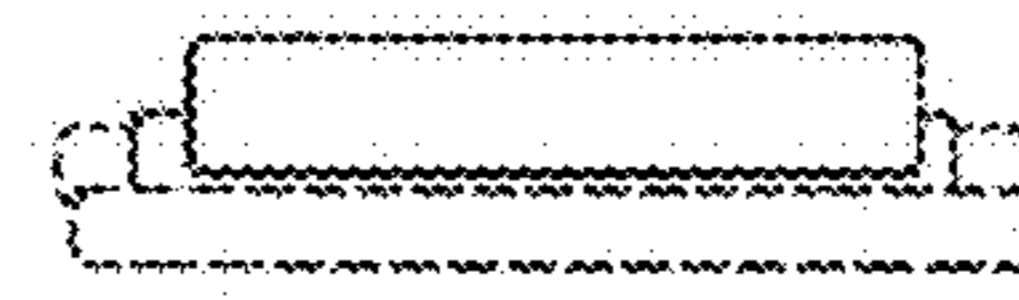


FIG. 17

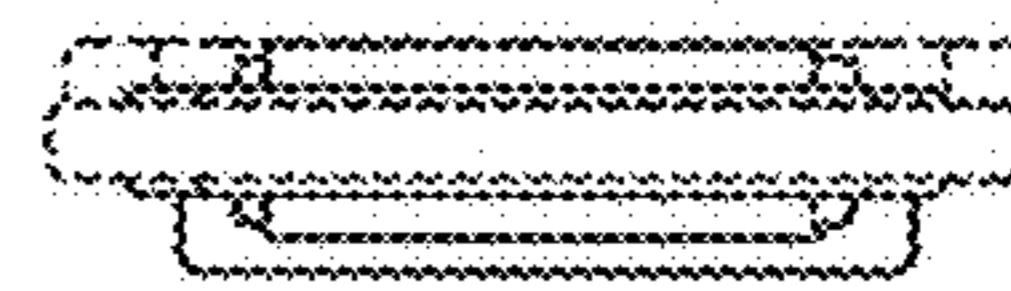


FIG. 16