



US00D918758S

(12) **United States Design Patent** (10) **Patent No.:** **US D918,758 S**
Grenon (45) **Date of Patent:** **** May 11, 2021**

(54) **WATCH FACE**
(71) Applicant: **Victor Raymond Grenon**, Cranston, RI (US)
(72) Inventor: **Victor Raymond Grenon**, Cranston, RI (US)

D628,497 S * 12/2010 Laucella D10/33
D650,711 S * 12/2011 Laucella D10/39
D676,338 S * 2/2013 Jacquerye D10/39
D702,135 S * 4/2014 Loth D10/32
D791,632 S * 7/2017 Lintz D10/126
D792,242 S * 7/2017 Laucella D10/30
D795,118 S * 8/2017 Monachon D10/126
D796,982 S * 9/2017 Muller D10/126

(**) Term: **15 Years**

(Continued)

(21) Appl. No.: **29/652,421**

OTHER PUBLICATIONS

(22) Filed: **Aug. 12, 2020**

Breguet Classique Perpetual Calendar | posted at Sothebys.com; watch circa 2010 [online]. © 2020 Sotheby's [retrieved Nov. 5, 2020] from Internet: <<https://www.sothebys.com/en/buy/auction/2020/watches-weekly-london-6/breguet-classique-perpetual-calendar-ref-5327>> (Year: 2010).*

(51) **LOC (13) Cl.** **10-07**

(52) **U.S. Cl.**
USPC **D10/126**

(Continued)

(58) **Field of Classification Search**
USPC D10/30-39, 102, 121-131; D19/59-60, D19/64; D21/531; D14/344, 490, 492
CPC G04B 19/00; G04B 19/08; G04B 19/082; G04B 19/085; G04B 19/087; G04B 19/10; G04B 19/103; G04B 19/12; G04B 19/16; G04B 19/166; G04B 19/18; G04B 19/22; G04B 19/24; G04B 29/00; G04B 29/02; G04B 29/04; G04B 45/00; G04B 45/02; G04B 45/0038; G04G 19/06; G04G 19/065; G04G 19/243; G04G 19/283

Primary Examiner — Katherine Glennon
(74) *Attorney, Agent, or Firm* — Dunlap Bennett & Ludwig, PLLC

See application file for complete search history.

(57) **CLAIM**

(56) **References Cited**

The ornamental design for a watch face, as shown and described.

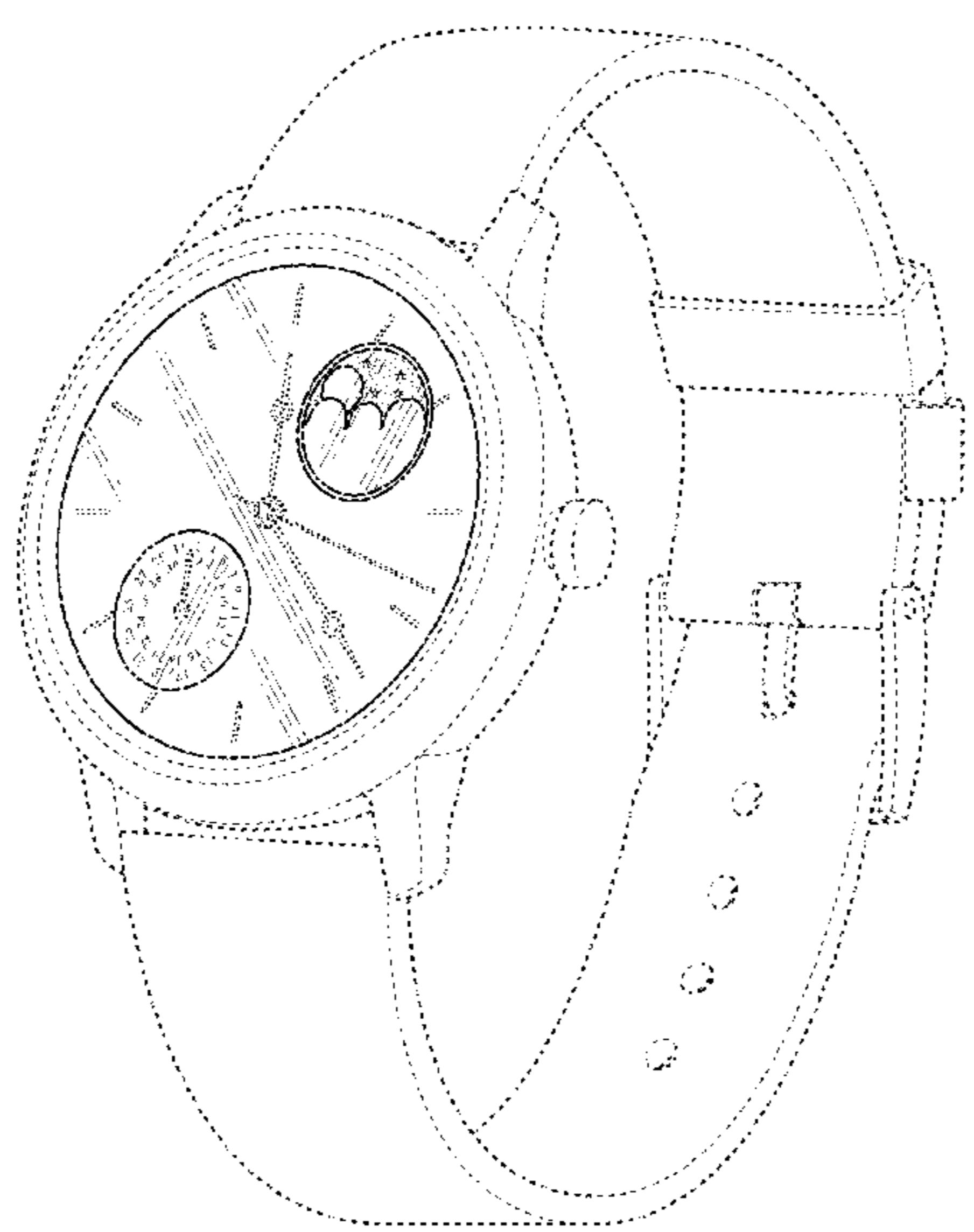
U.S. PATENT DOCUMENTS

DESCRIPTION

D220,050 S * 3/1971 Yannich D10/124
3,721,083 A * 3/1973 Jauch G04B 19/268
368/18
D303,637 S * 9/1989 Berger D10/39
D318,809 S * 8/1991 Bourquin D10/39
D324,001 S * 2/1992 Kerr D10/125
6,928,032 B2 * 8/2005 Plange G04B 19/268
368/18
D552,490 S * 10/2007 Laucella D10/31
D593,880 S * 6/2009 Laucella D10/39

FIG. 1 is a perspective view of a watch face showing my new design;
FIG. 2 is a front elevation view thereof;
FIG. 3 is a rear elevation view thereof;
FIG. 4 is a left side elevation view thereof;
FIG. 5 is right side elevation view thereof;
FIG. 6 is a top plan view thereof;
FIG. 7 is a bottom plan view thereof; and,
FIG. 8 is an enlarged view thereof, shown without environmental structure for clarity of illustration.
The broken lines shown in the drawings depict environmental structure that forms no part of the claimed invention.

1 Claim, 4 Drawing Sheets



(56)

References Cited

U.S. PATENT DOCUMENTS

D851,530 S * 6/2019 Berneron D10/126
D860,031 S * 9/2019 Muller D10/126
D860,032 S * 9/2019 Schetter D10/126
D861,506 S * 10/2019 Lintz D10/39
D881,722 S * 4/2020 Herrmann D10/39
2009/0268566 A1 * 10/2009 Hiroe G01D 13/02
368/239
2013/0336096 A1 * 12/2013 Grossenbacher G04B 19/253
368/15
2016/0349705 A1 * 12/2016 Goeller G04B 19/268
2019/0086870 A1 * 3/2019 Mitamura G04B 19/268

OTHER PUBLICATIONS

Frederique Constant Slimline Moonphase Manufacture for 2017 | posted at monochrome-watches.com Sep. 2017 [online]. © 2006-2020 MONOCHROME [retrieved Nov. 4, 2020] from Internet: <<https://monochrome-watches.com/frederique-constant-updates-slimline-moonphase-manufacture-new-display-case/>> (Year: 2017).*

Chronoswiss Sirius Chronograph Moon Phase | posted at [watchtime.com](https://www.watchtime.com) Apr. 2019 [online]. © 2020 Ebner Publishing International, Inc. [retrieved Nov. 4, 2020] from Internet: <<https://www.watchtime.com/featured/chronoswiss-sirius-chronograph-moon-phase-blue-price-los-angeles/>> (Year: 2019).*

Gents 43MM Moon Phase Indicator Swiss Made Watch | fortheLoveofGold.com.au; Nov. 2019 (TinEye) © 2014 Harrison's Diamond Jewellers [retrieved Nov. 5, 2020] from Internet: <<https://fortheLoveofGold.com.au/product/gents-43mm-moon-phase-indicator-power-reserve-mechanical-swiss-made-leather-strap-watch/>> (Year: 2019).*

* cited by examiner

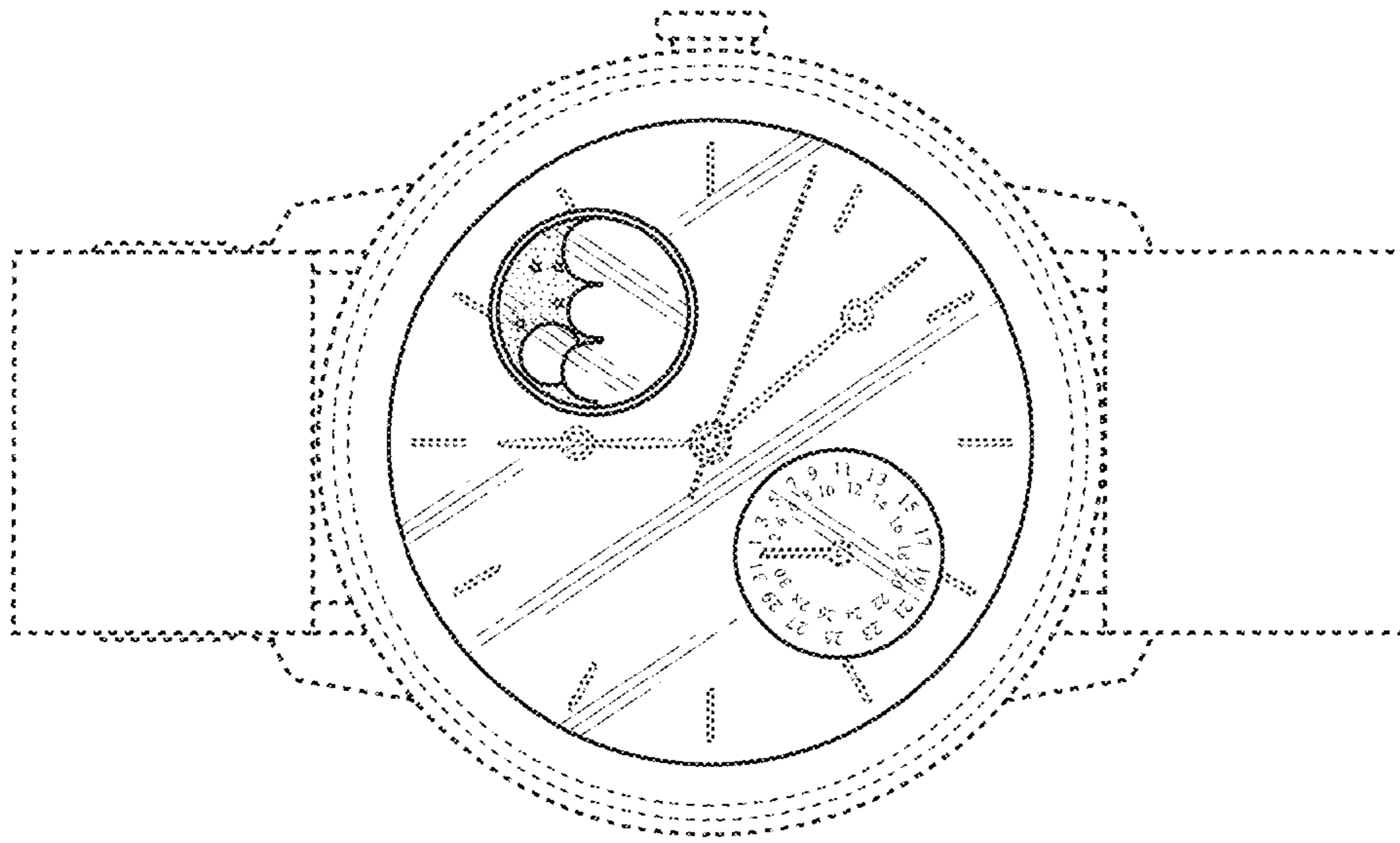


FIG. 2

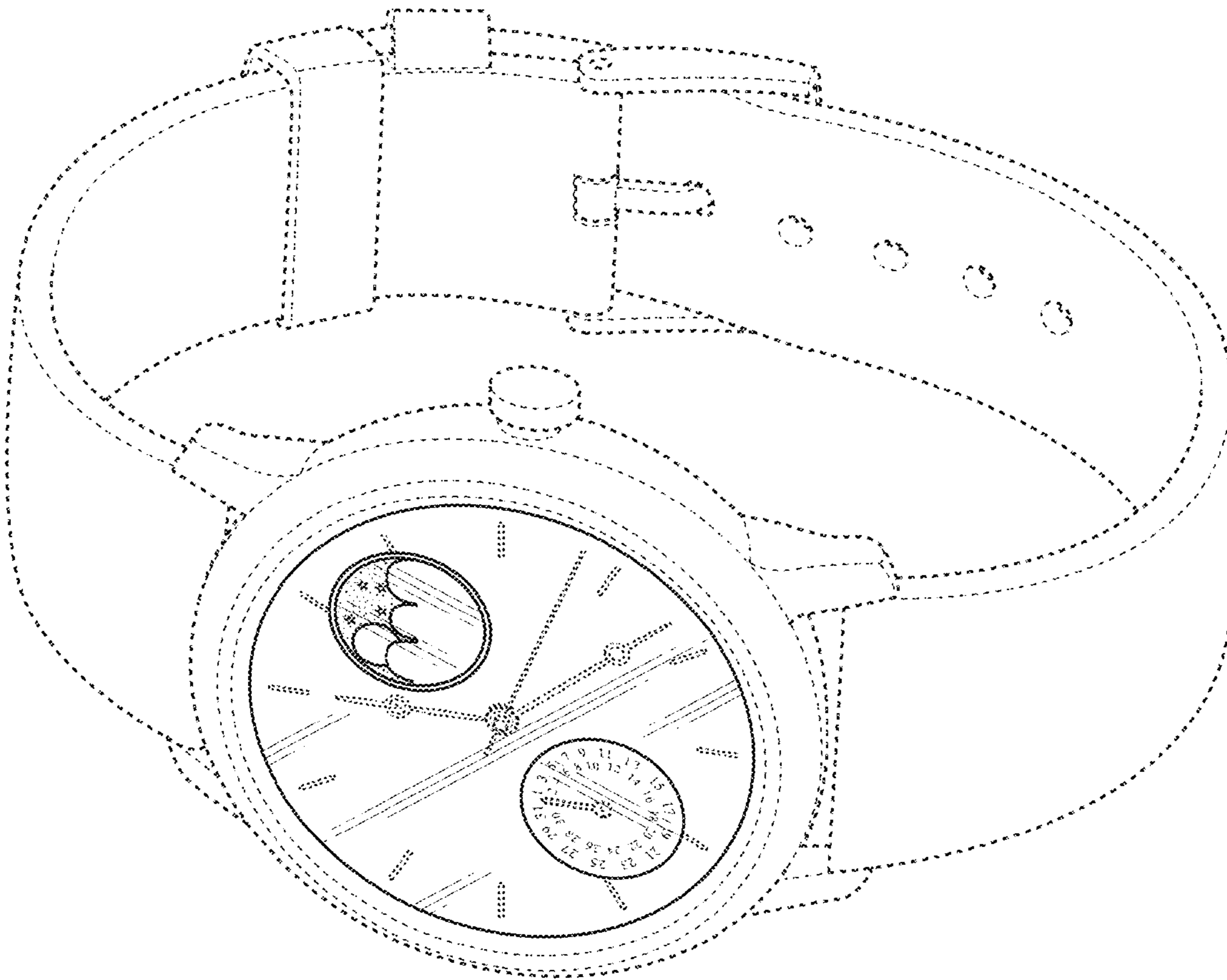


FIG. 1

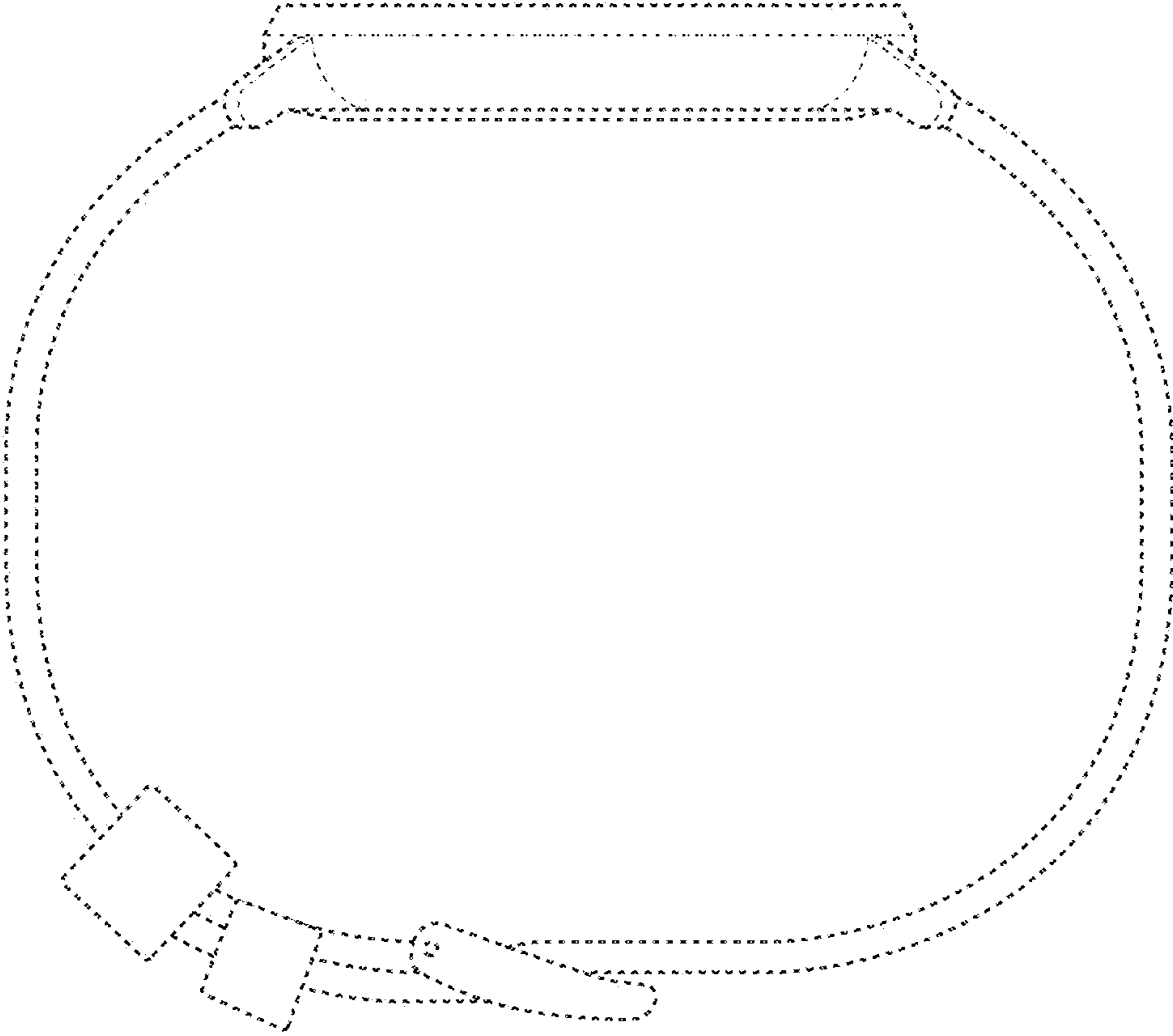


FIG. 4

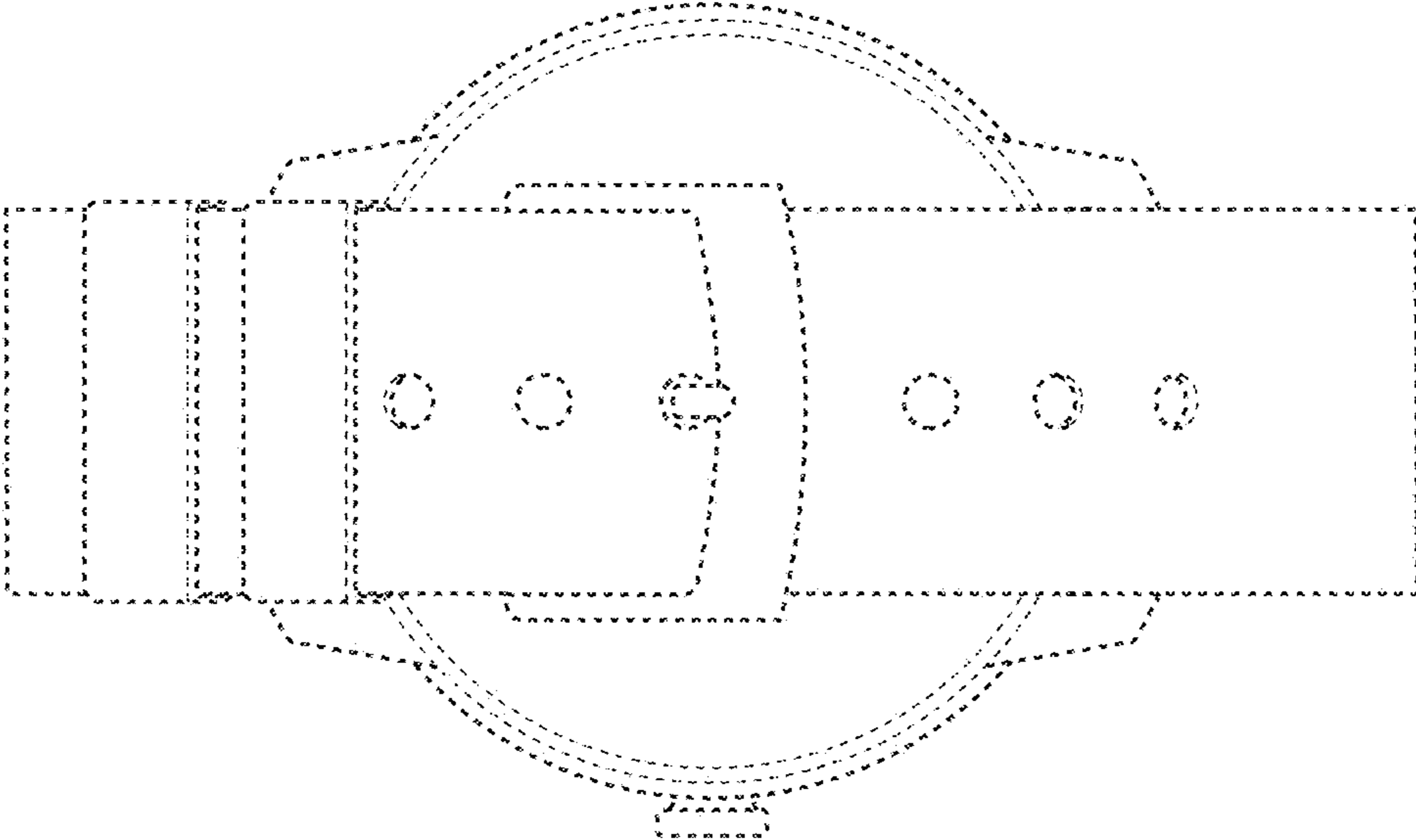


FIG. 3

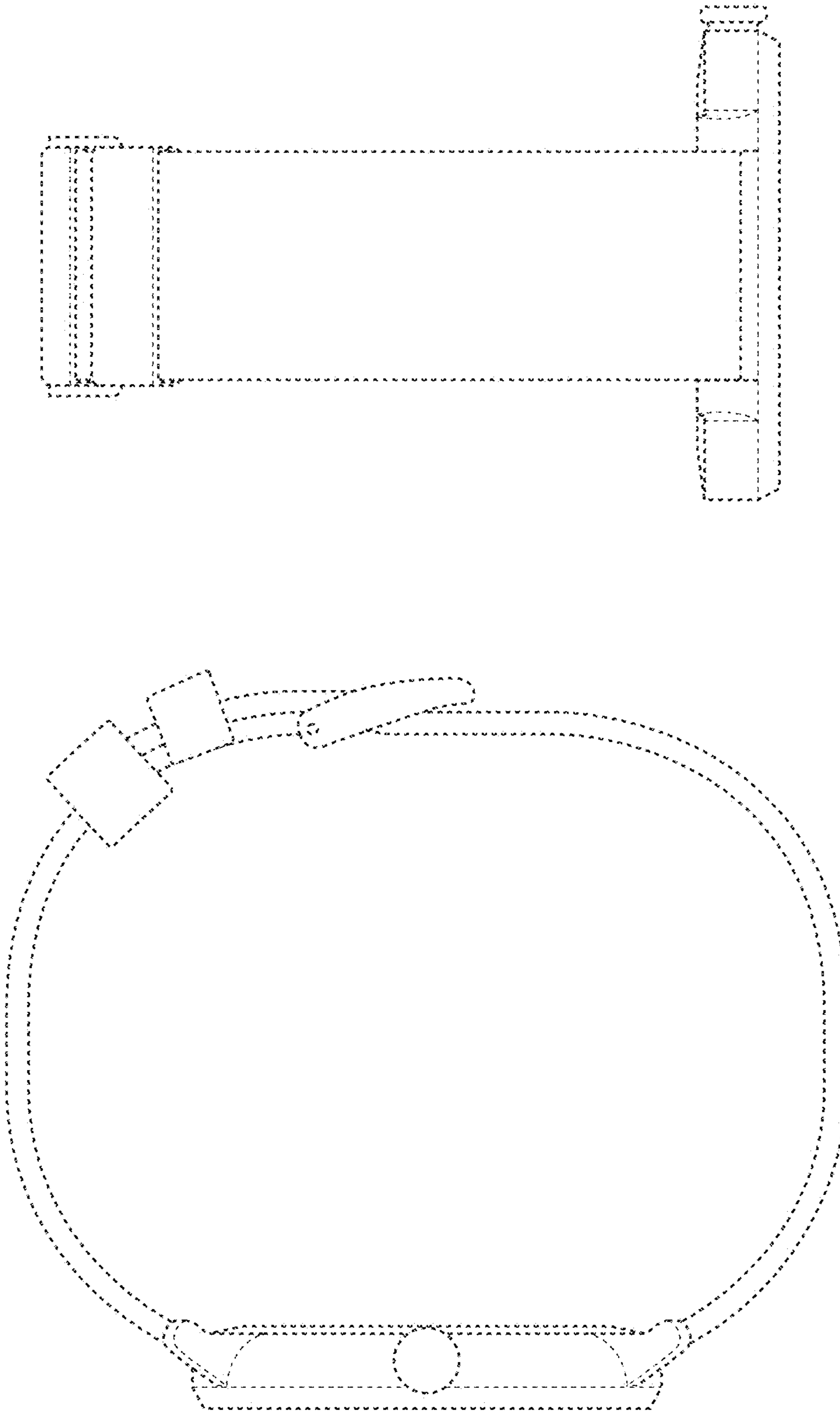


FIG. 6

FIG. 5

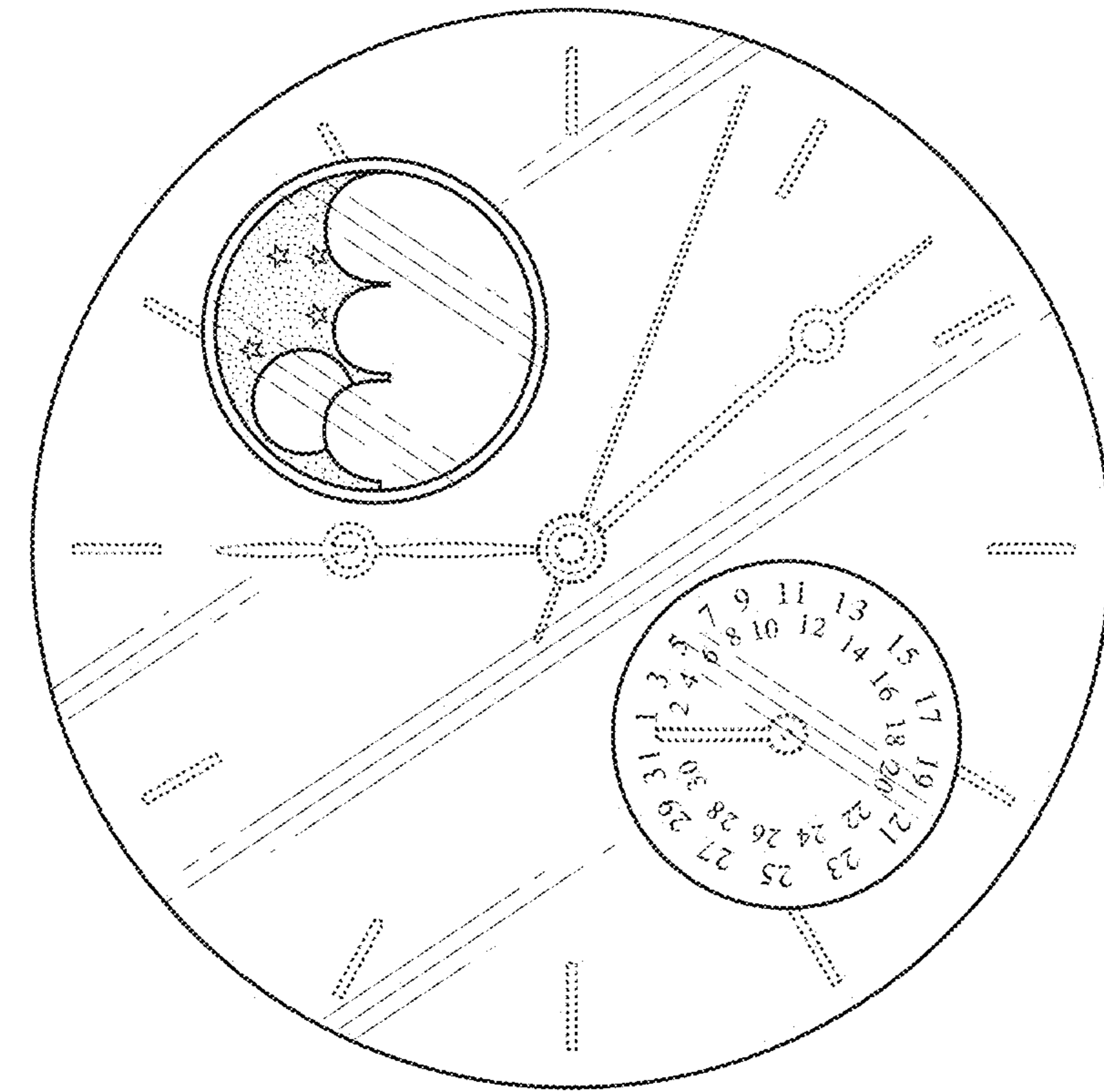


FIG. 8

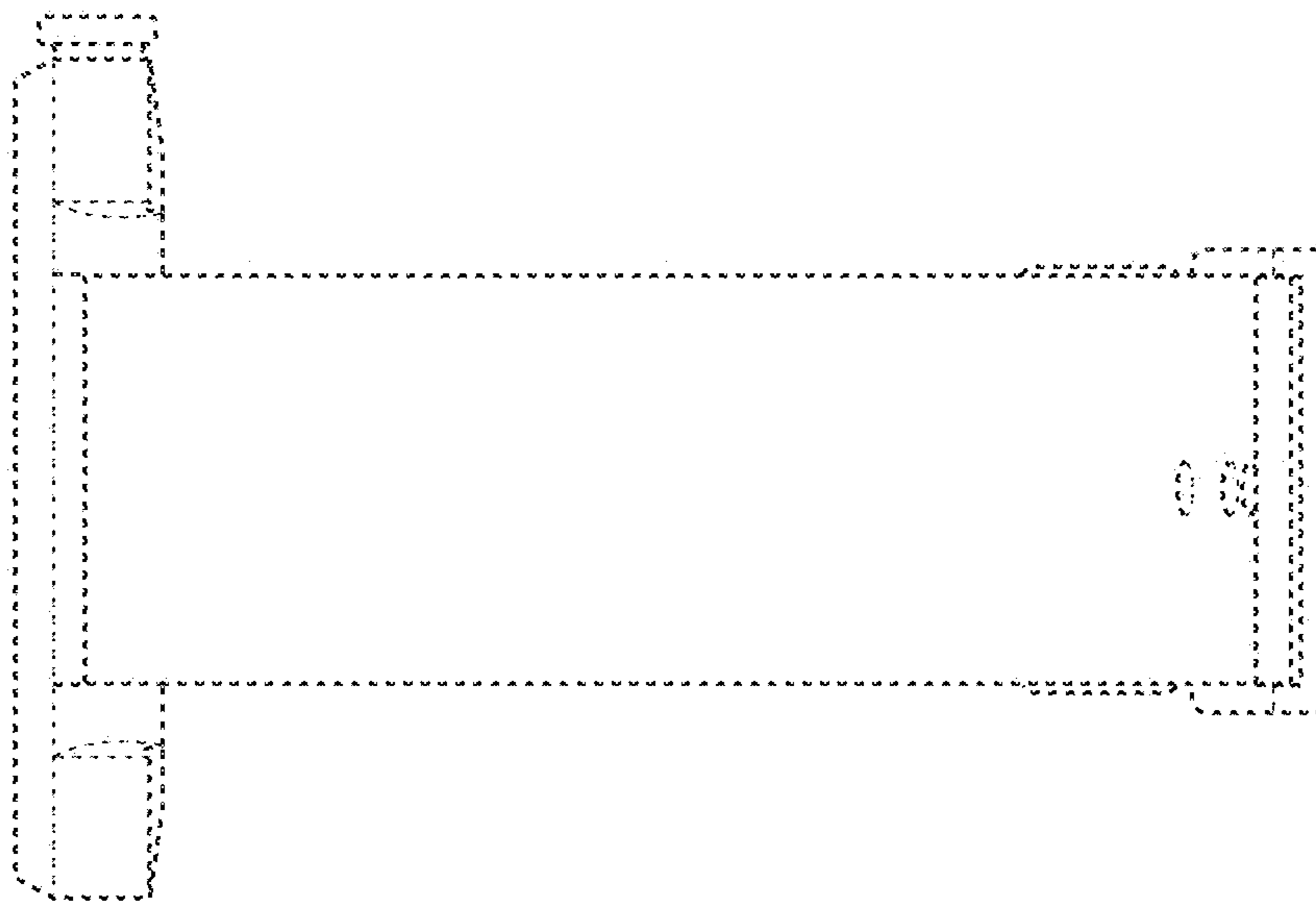


FIG. 7