



US00D918754S

(12) **United States Design Patent** (10) **Patent No.:** **US D918,754 S**  
**Kuwano** (45) **Date of Patent:** **\*\* May 11, 2021**

(54) **GLOBE FOR A SIGNAL WARNING AND DISPLAYING LAMP**

- (71) Applicant: **Patlite Corporation**, Osaka (JP)
- (72) Inventor: **Koichi Kuwano**, Osaka (JP)
- (73) Assignee: **Patlite Corporation**, Osaka-shi (JP)
- (\*\*) Term: **15 Years**
- (21) Appl. No.: **29/682,946**
- (22) Filed: **Mar. 8, 2019**
- (30) **Foreign Application Priority Data**

- Sep. 13, 2018 (JP) ..... 2018-020047
- (51) **LOC (13) Cl.** ..... **10-05**
- (52) **U.S. Cl.**  
USPC ..... **D10/114.1**
- (58) **Field of Classification Search**  
USPC ..... D10/114.1, 114.2, 114.8, 109.2, 109.1,  
D10/111; D14/140.6  
CPC ..... B64D 47/06; A63H 3/006; H05B 41/46;  
F21V 5/04; B60Q 1/2611  
See application file for complete search history.

(56) **References Cited**

**U.S. PATENT DOCUMENTS**

- D402,577 S \* 12/1998 Payne ..... D10/114.8
- 6,991,351 B1 \* 1/2006 Petrick ..... B60Q 1/2611  
362/373
- D598,315 S \* 8/2009 Miyatake ..... D10/109.2

(Continued)

**FOREIGN PATENT DOCUMENTS**

- JP 752088 S 1/1989
- JP 753802 S 2/1989
- JP 753802-1 S 12/1989

(Continued)

**OTHER PUBLICATIONS**

Catalogue of Revolving green light series for exclusively tractors, p. 3 (Japan Patent Office Design Division Publication Material No. HC09026569) of Patlite Corporation, Published in Japan, Japan Patent Office Acceptance date: Oct. 28, 1997.

(Continued)

*Primary Examiner* — George D. Kirschbaum  
(74) *Attorney, Agent, or Firm* — Norton Rose Fulbright US LLP

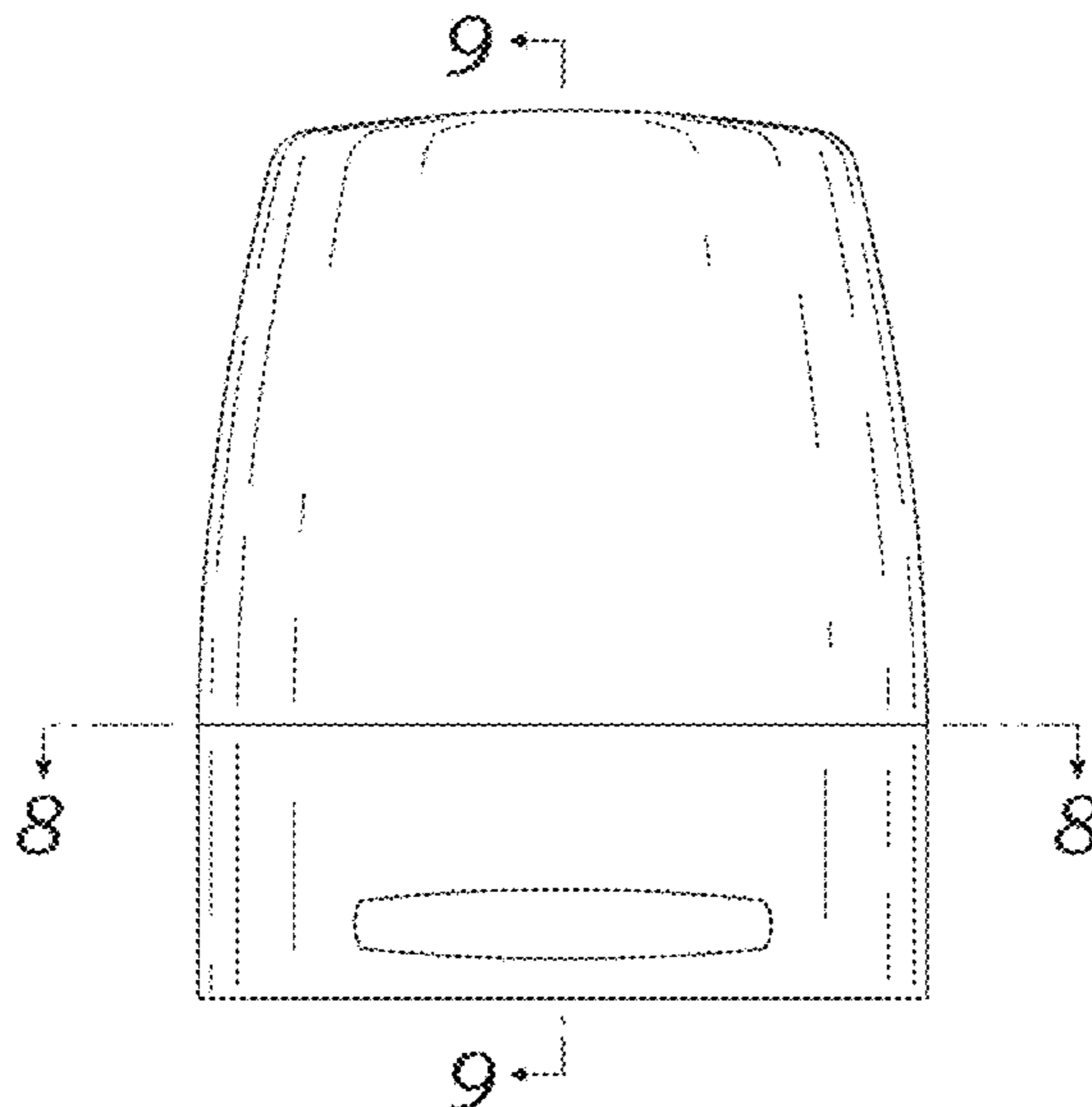
(57) **CLAIM**

The ornamental design for a globe for a signal warning and displaying lamp, as shown and described.

**DESCRIPTION**

FIG. 1 is a front elevational view of a globe for a signal warning and displaying lamp of my new design;  
 FIG. 2 is a rear elevational view thereof;  
 FIG. 3 is a right side elevational view thereof and the left side elevational view being a mirror image of the right side elevational view;  
 FIG. 4 is a top plan view thereof;  
 FIG. 5 is a bottom plan view thereof;  
 FIG. 6 is a perspective view taken from the front, top and left side thereof;  
 FIG. 7 is a perspective view taken from the rear, bottom and right side thereof;  
 FIG. 8 is cross-sectional view thereof taken along the lines 8-8 in FIG. 1;  
 FIG. 9 is cross-sectional view thereof taken along the lines 9-9 in FIG. 1; and,  
 FIG. 10 is a reference illustration of the globe with the translucent portion indicated by inclined lines.  
 The surface is lined for contour only, and no claim is made to a particular texture. No claim is made to portions not shown in the drawings.

**1 Claim, 5 Drawing Sheets**





(56)

**References Cited**

## U.S. PATENT DOCUMENTS

D718,891 S 12/2014 Sawano et al.

## FOREIGN PATENT DOCUMENTS

JP	897367 S	4/1994
JP	1266481 S	3/2006
JP	1266640 S	3/2006
JP	1272414 S	6/2006
JP	1317494 S	12/2007
JP	1317801 S	12/2007
JP	1461346 S	2/2013
JP	1489245 S	2/2014
JP	1558102 S	9/2016
JP	1558103 S	9/2016
JP	1558193 S	9/2016
JP	15577605 S	9/2016
KR	30-0728918 S	2/2014

## OTHER PUBLICATIONS

Catalogue of Revolving green light series for exclusively tractors, p. 3 (Japan Patent Office Design Division Publication Material No. HC09026570) of Patlite Corporation, Published in Japan, Japan Patent Office Acceptance date: Oct. 28, 1997.

Catalogue of Revolving green light series for exclusively tractors, p. 3, SKP (Japan Patent Office Design Division Publication Material No. HC09026571) of Patlite Corporation, Published in Japan, Japan Patent Office Acceptance date: Oct. 28, 1997.

Catalogue of Revolving light for ships, p. 2 (Japan Patent Office Design Division Publication Material No. HC09026853) of Patlite Corporation, Published in Japan, Patent Office Acceptance date: Oct. 25, 1997.

List of standard stock products, Year 2016 Version, p. 1 (Japan Patent Office Design Division Publication Material No. HC28017208) of Patlite Corporation, Published in Japan, Japan Patent Office Acceptance date: Nov. 18, 2016, Publication date: Feb. 1, 2017.

General Catalog 2018-2019, p. 126 (Japan Patent Office Design Division Publication Material No. HC30004732) of Patlite Corporation, Published in Japan, Japan Patent Office Acceptance date: May 18, 2018, Publication Date: Jul. 11, 2018.

General Catalog 2018-2019, p. 127 (Japan Patent Office Design Division Publication Material No. HC30004734) of Patlite Corporation, Published in Japan, Patent Office Acceptance date: May 18, 2018, Publication date: Jul. 11, 2018.

General Catalog 2018-2019, p. 121 (Japan Patent Office Design Division Publication Material No. HC30004728) of Patlite Corporation, Published in Japan, Japan Patent Office Acceptance date: May 18, 2018, Publication date: Jul. 11, 2018.

General Catalog 2018-2019, p. 124 (Japan Patent Office Design Division Publication Material No. H030004730) of Patlite Corporation, Published in Japan, Japan Patent Office Acceptance date: May 18, 2018, Publication date: Jul. 11, 2018.

General Catalog 2018-2019, p. 128 (Japan Patent Office Design Division Publication Material No. HC30004735) of Patlite Corporation, Published in Japan, Japan Patent Office Acceptance date: May 18, 2018, Publication date: Jul. 11, 2018.

General Catalog 2018-2019, p. 145 (Japan Patent Office Design Division Publication Material No. HC30004740) of Patlite Corporation, Published in Japan, Japan Patent Office Acceptance date: May 18, 2018, Publication date: Jul. 11, 2018.

General Catalog 2018-2019, p. 148 (Japan Patent Office Design Division Publication Material No. HC30004744) of Patlite Corporation, Published in Japan, Patent Office Acceptance Date: May 18, 2018, Publication date: Jul. 11, 2018.

Catalogue of LDE Flash Indicating Lamp, p. 2 (Japan Patent Office Design Division Publication Material No. HC25011886) of Patlite Corporation, Published in Japan, Japan Patent Office Acceptance date: Jun. 21, 2013, Publication date: Oct. 2, 2013.

Catalogue 2017-2018, Security & Signal Equipment Engineer, p. 40 (Japan Patent Office Design Division Publication Material No. HD30001097), Warning Lamp, Senken International, Published in China, Japan Patent Office Acceptance date: Apr. 27, 2018, Publication date: Jun. 27, 2018.

Catalogue Patlite New Product Series (The Nikkan Kogyo Shimbun, 1995, 12, 15P9), (Jun. 30, 1996), p. 2 (Japan Patent Office Design Division Publication Material No. HN08015606) of Patlite Corporation, Revolving Indicating Lamp, Published in Japan, Japan Patent Office Acceptance date: Aug. 21, 1996, Publication date: Jun. 30, 1996.

Catalogue Patlite New Product Series (The Nikkan Kogyo Shimbun, 1995, 12, 15P9), (Jun. 30, 1996), p. 3, R5 (Japan Patent Office Design Division Publication Material No. HN08015609) of Patlite Corporation, Revolving Indicating Lamp, Published in Japan, Japan Patent Office Acceptance Date: Aug. 21, 1996.

Catalogue LED Revolving Lamp/LED Flashing/Flashing Indicating Lamp (Dempa Shinbun, H11.12.15 P7), p. 3 (Japan Patent Office Design Division Publication Material No. HN12008778), Patlite Corporation, Revolving Indicating Lamp, Published in Japan, Japan Patent Office Acceptance date: Jul. 27, 2000.

Catalogue of Displaying, Signaling and Revolving Lamp, Published on Web Page of Patlight Corporation (Japan Patent Office Design Division Publication Material No. HJ20000269), Published in Japan, Japan Patent Office Acceptance date: Apr. 25, 2008, Publication date: Apr. 22, 2008.

Catalogue of Sparex LED 3 Bolt Beacon in Farmers Weekly of Reed Business Information Ltd. (Japan Patent Office Design Division Publication Material No. HB27002266), vol. 164, p. 8, Published in Great Britain, Japan Patent Office Acceptance date: Jun. 10, 2015.

Catalogue of revolving lamp Chibi Soke Shuttle of Asahi Electrical Machinery Incorporated Company in Asahisonic Light, (Japan Patent Office Design Division Publication Material No. HC02027070), p. 23, Published in Japan, Japan Patent Office Acceptance date: Jul. 27, 1989.

Catalogue of rotating light Type ASC of Asahi Electrical Machinery Incorporated Company in Asahisonic Light, (Japan Patent Office Design Division Publication Material No. HC02027074), p. 25, Published in Japan, Japan Patent Office Acceptance date: Jul. 27, 1989.

Catalogue of revolving lamp for ships Type SKH of Patlite Corporation (Japan Patent Office Design Division Publication Material No. HC09026856), p. 3, Published in Japan, Japan Patent Office Acceptance date: Oct. 25, 1997.

Catalogue of revolving lamp of Parman 68 of Noguchi Kabushiki Kaisha (Japan Patent Office Design Division Publication Material No. HC14058696), p. 14, Published in Japan, Japan Patent Office Acceptance date: Dec. 13, 2002.

Catalogue of revolving lamp Type VL 17M of Nikkei Manufacturing Co., Ltd. (Japan Patent Office Design Division Publication Material No. HC23006735), p. 10, Published in Japan, Japan Patent Office Acceptance date: Jun. 3, 2011, Publication date: Aug. 31, 2011.

Catalogue of indicating lamp Type NE-M1-CL7 of Patlite Corporation (Japan Patent Office Design Division Publication Material No. HC30004724), p. 116, Published in Japan, Japan Patent Office Acceptance date: May 18, 2018, Publication date: Jul. 11, 2018.

Catalogue of indicating lamp Type PES-A of Patlite Corporation (Japan Patent Office Design Division Publication Material No. HC30004725), p. 117, Published in Japan, Japan Patent Office Acceptance date: May 18, 2018, Publication date: Jul. 11, 2018.

Catalogue of indicating lamp KHE of Patlite Corporation (Japan Patent Office Design Division Publication Material No. HC30004727), p. 120, Published in Japan, Japan Patent Office Acceptance date: May 18, 2018, Publication date: Jul. 11, 2018.

Catalogue of revolving lamp PHE of Patlite Corporation (Japan Patent Office Design Division Publication Material No. HC30004737), p. 134, Published in Japan, Japan Patent Office Acceptance date: May 18, 2018, Publication date: Jul. 11, 2018.

Catalogue of revolving lamp SKHE of Patlite Corporation (Japan Patent Office Design Division Publication Material No. HC30004738), p. 136, Published in Japan, Japan Patent Office Acceptance date: May 18, 2018, Publication date: Jul. 11, 2018.

(56)

**References Cited**

OTHER PUBLICATIONS

Catalogue of revolving warning lamp on Web page of Patlite Corporation (Japan Patent Office Design Division Publication Material No. HJ21005172), Published in Japan, Japan Patent Office Acceptance date: Jun. 5, 2009, Publication date: Jun. 1, 2009.

Catalogue of LED Rotating Beacon, Perm Mount, Class 2 of W. W. Grainger Inc. (Japan Patent Office Design Division Publication Material No. HJ25026152), Published in the U.S.A., Japan Patent Office Acceptance date: Aug. 2, 2013, Publication date: Jul. 9, 2013.

Catalogue of revolving indicating lamp of Patlite Corporation in New Products Series (The Nikkan Kogyo Shimbun 1995,12 15P9) (Japan Patent Office Design Division Publication Material No. HN08015605) Published in Japan, Japan Patent Office Acceptance date: Aug. 21, 1996.

Catalogue of revolving lamp DHB-02 Patlite Phone Call! of Patlite Corporation (The Nikkan Kogyo Shimbun 10, 7, 20P5) (Japan Patent Office Design Division Publication Material No. HN10020505), p. 1, Published in Japan, Japan Patent Office Acceptance date: Dec. 22, 1998.

Catalogue of revolving lamp of Patlite Corporation (Japan Patent Office Design Division Publication Material No. HJ20000268), Published in Japan, Japan Patent Office Acceptance date: Apr. 25, 2008, Publication date: Apr. 22, 2008.

Catalogue of revolving LED lamp of Kabushiki Kaisha Misumi (Japan Patent Office Design Division Publication Material No. HJ23014663), Published in Japan, Japan Patent Office Acceptance date: Jul. 22, 2011, Publication date: Jul. 15, 2011.

\* cited by examiner



Fig. 1

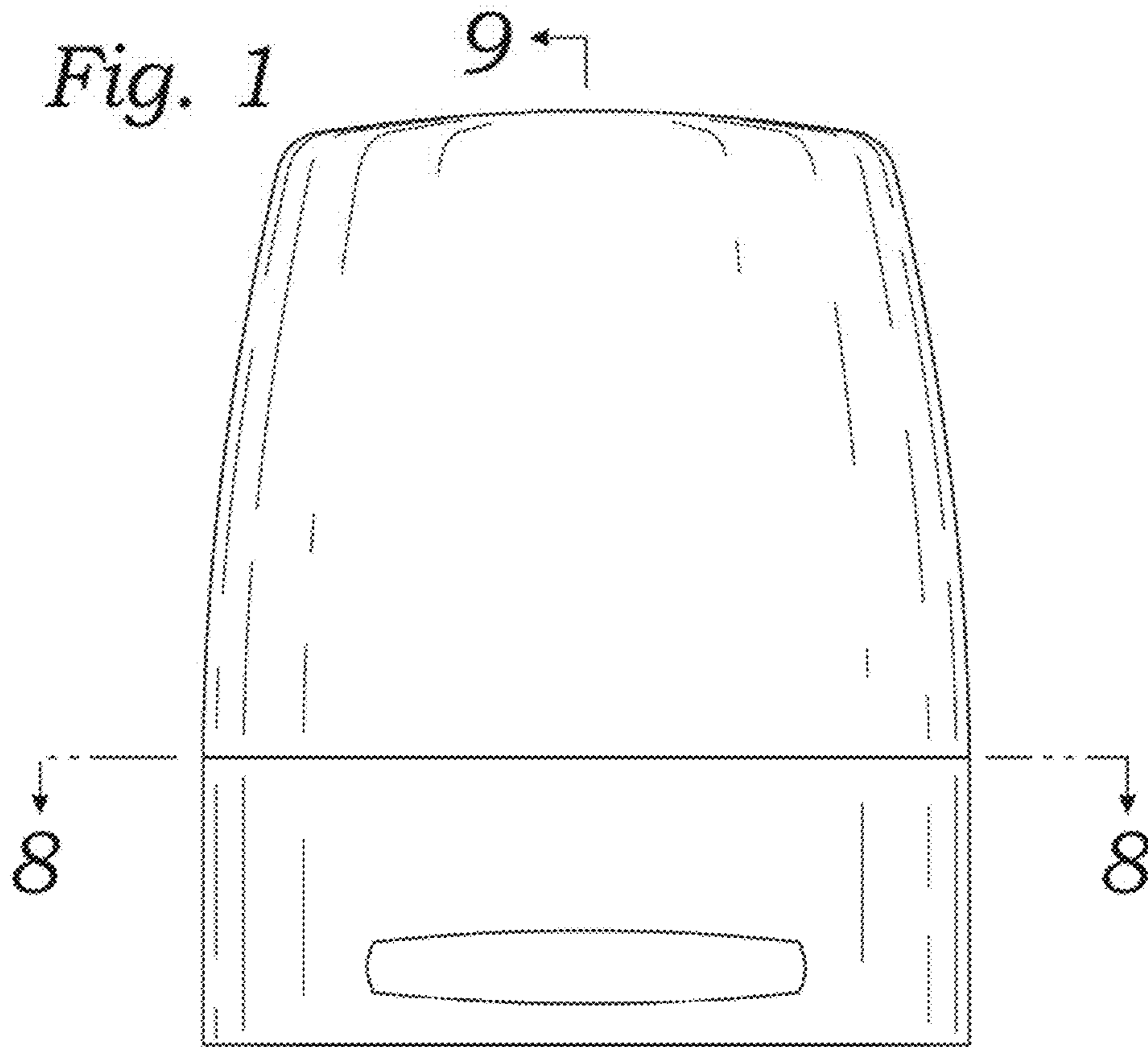
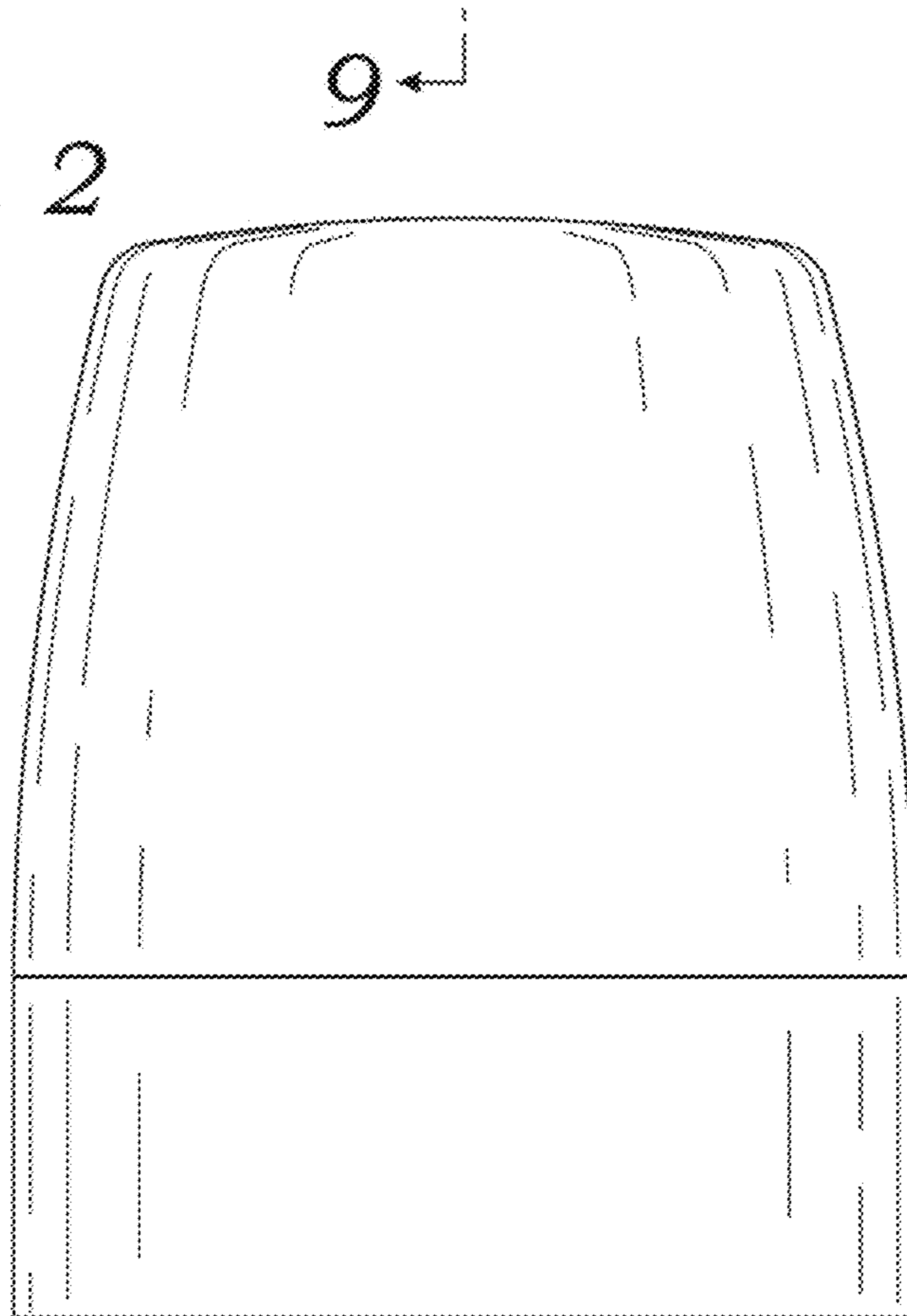
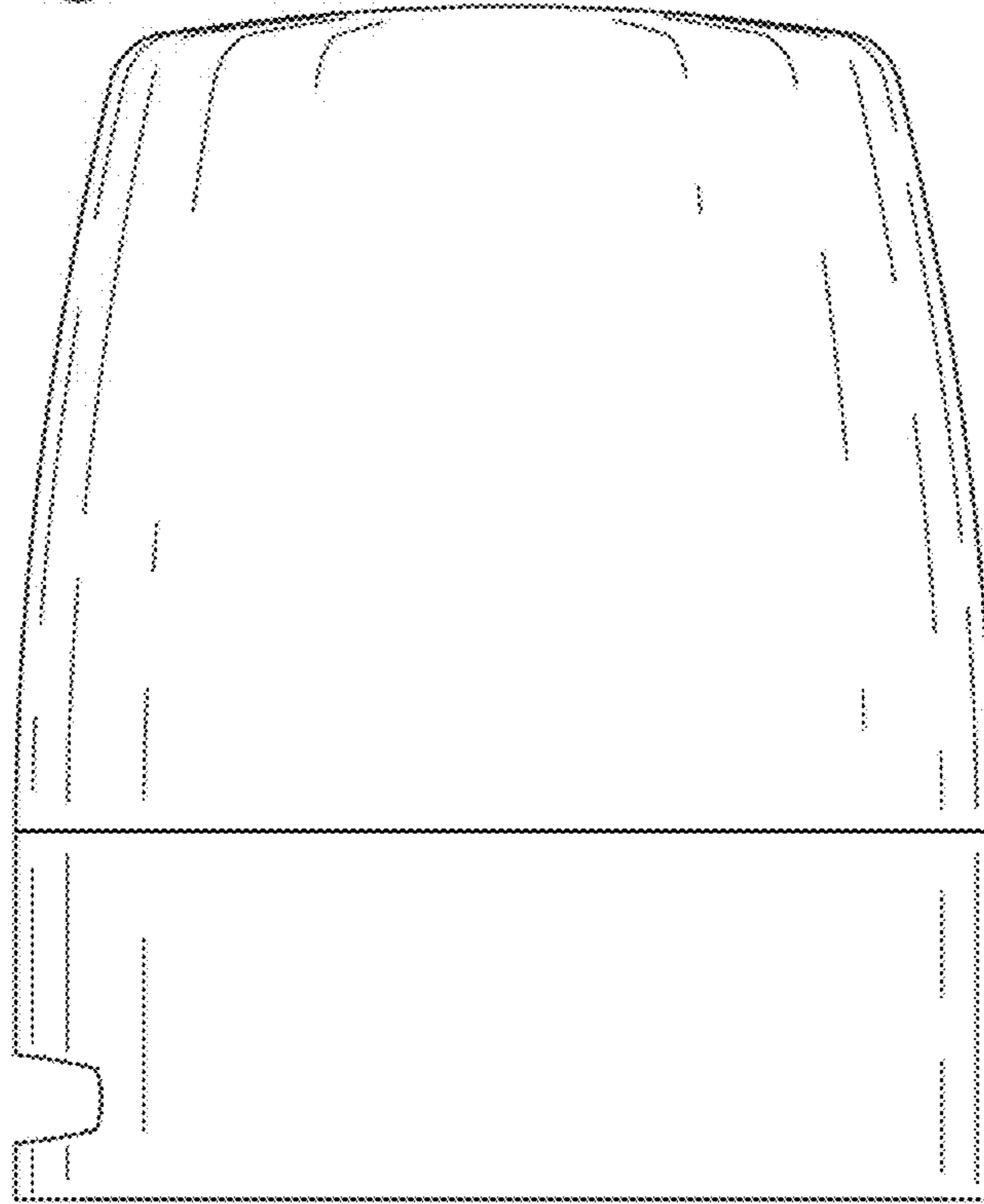


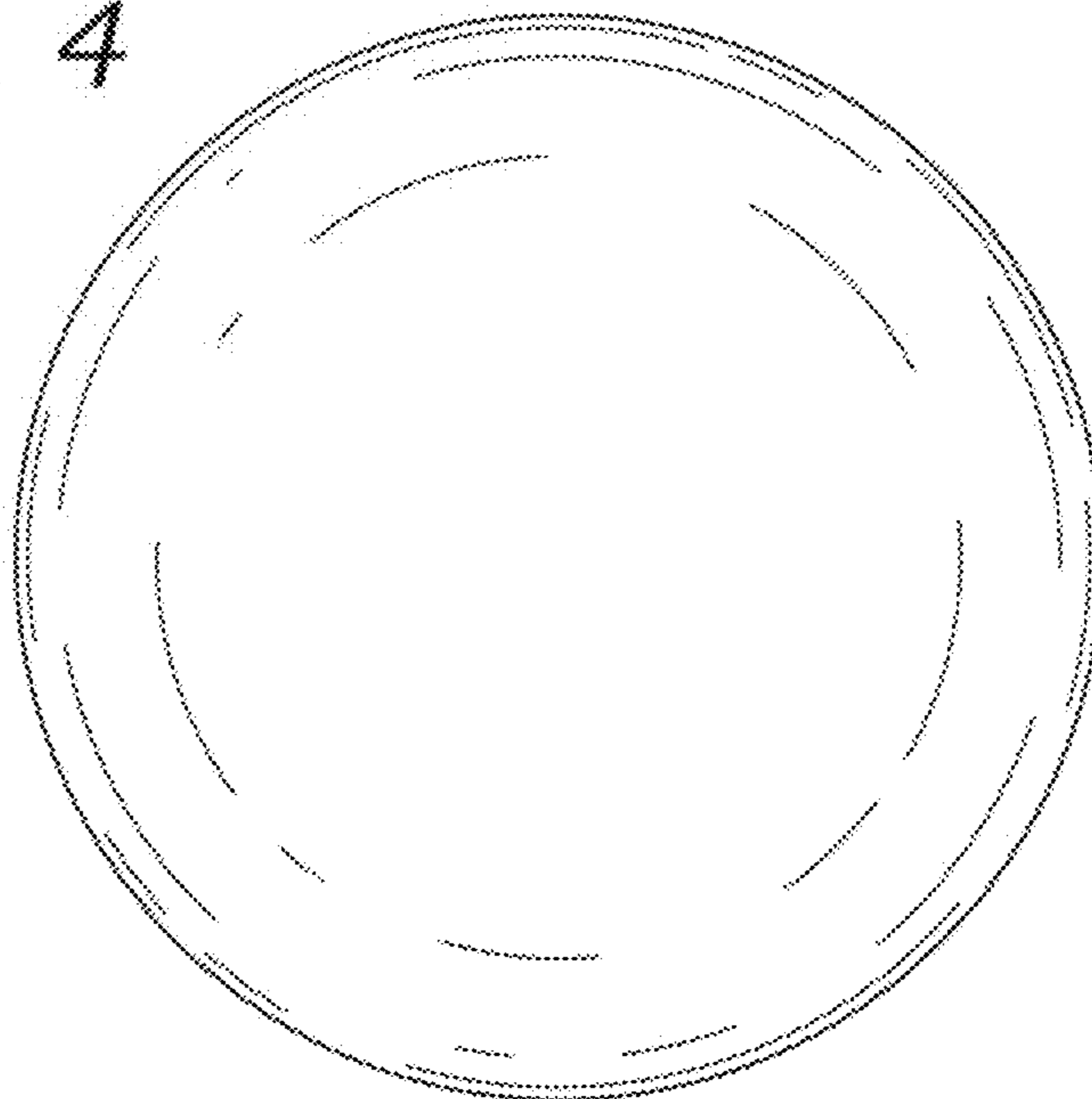
Fig. 2



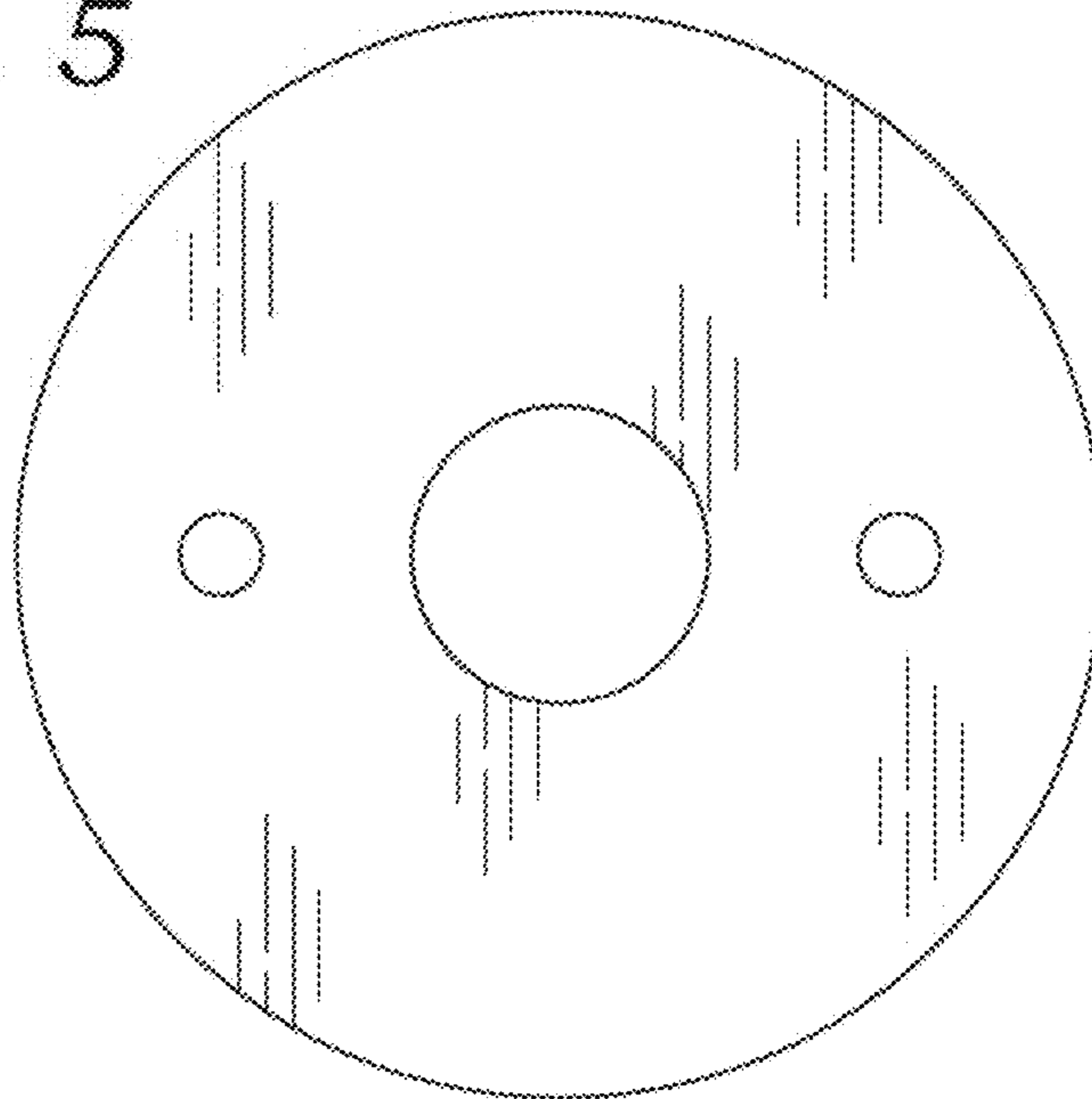
*Fig. 3*



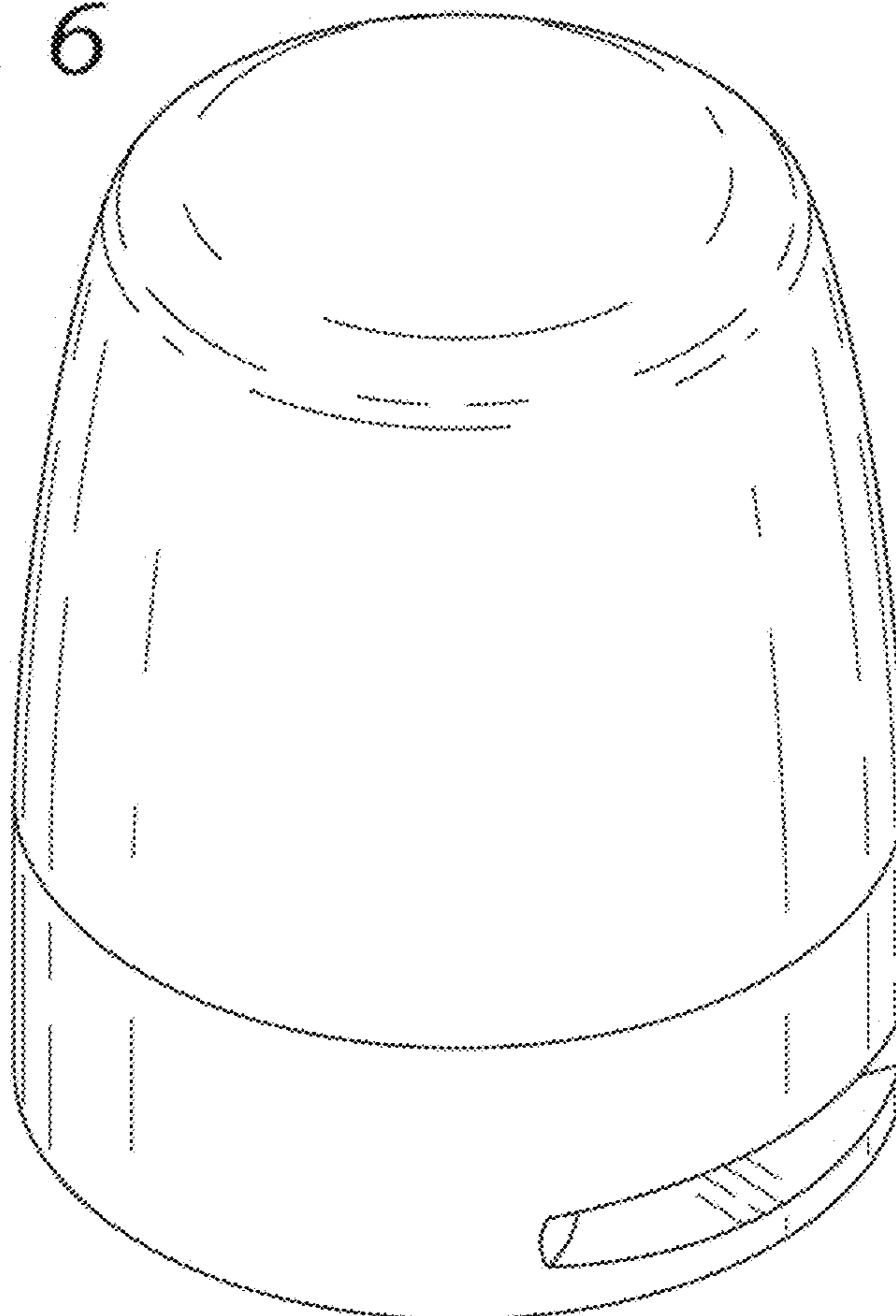
*Fig. 4*



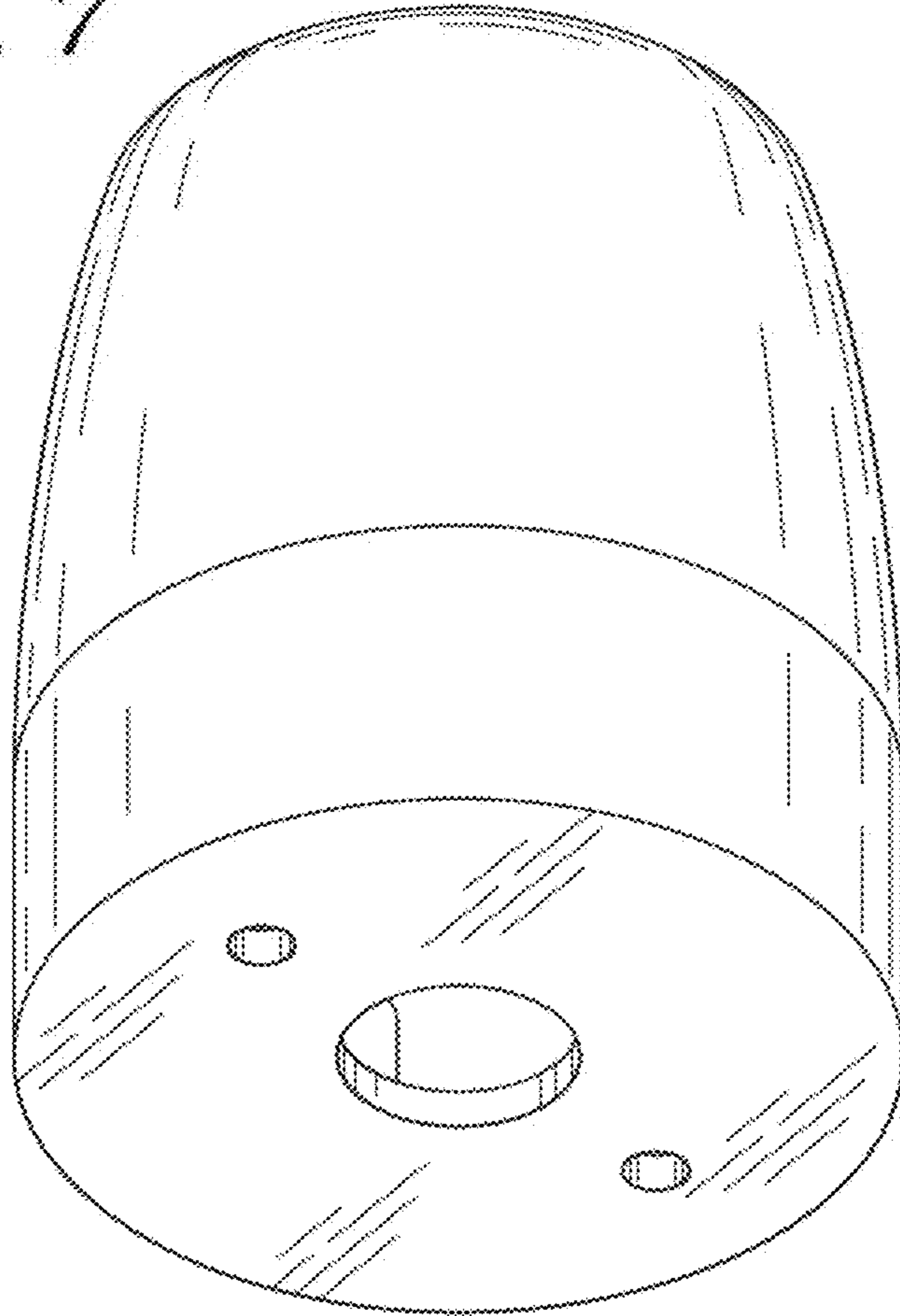
*Fig. 5*



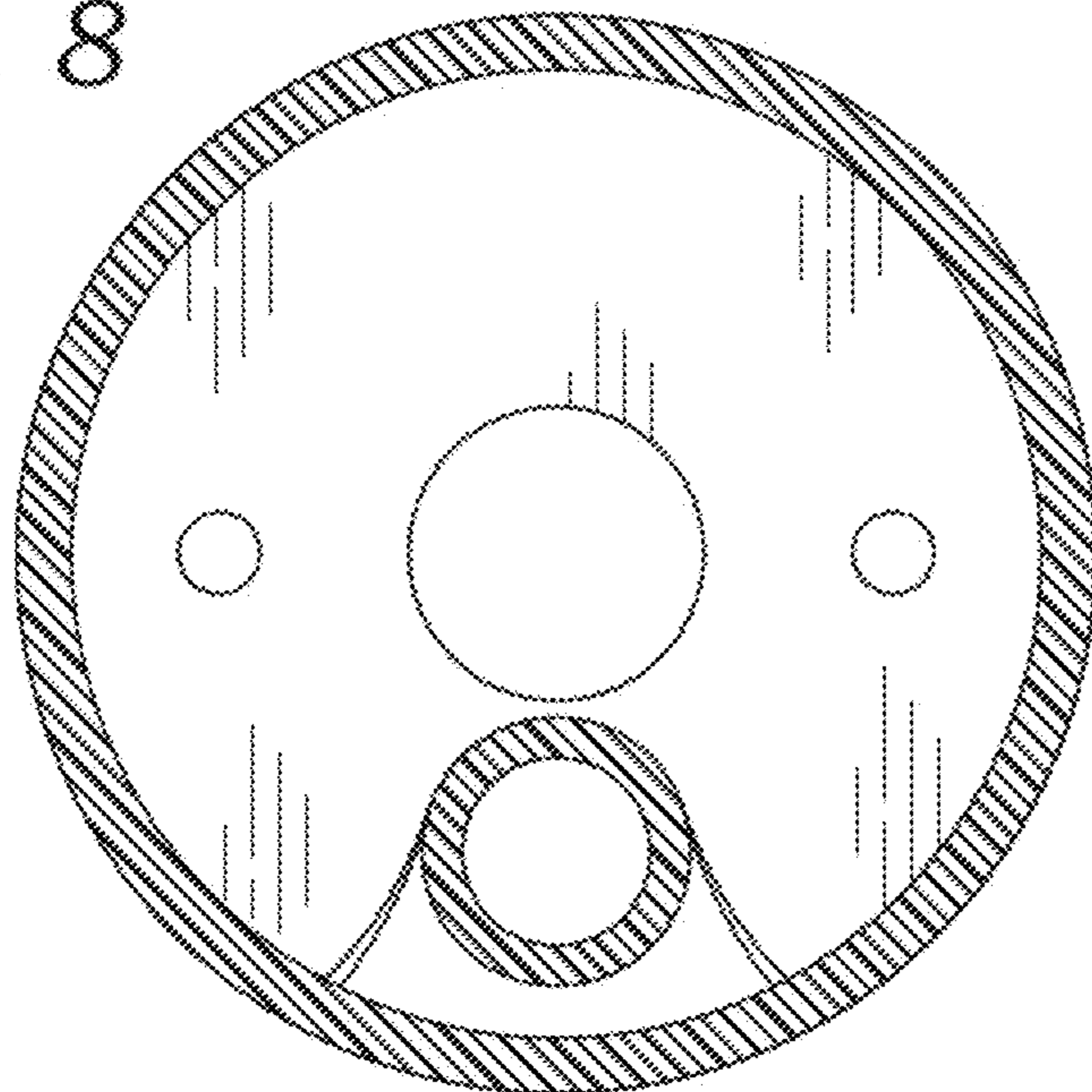
*Fig. 6*



*Fig. 7*

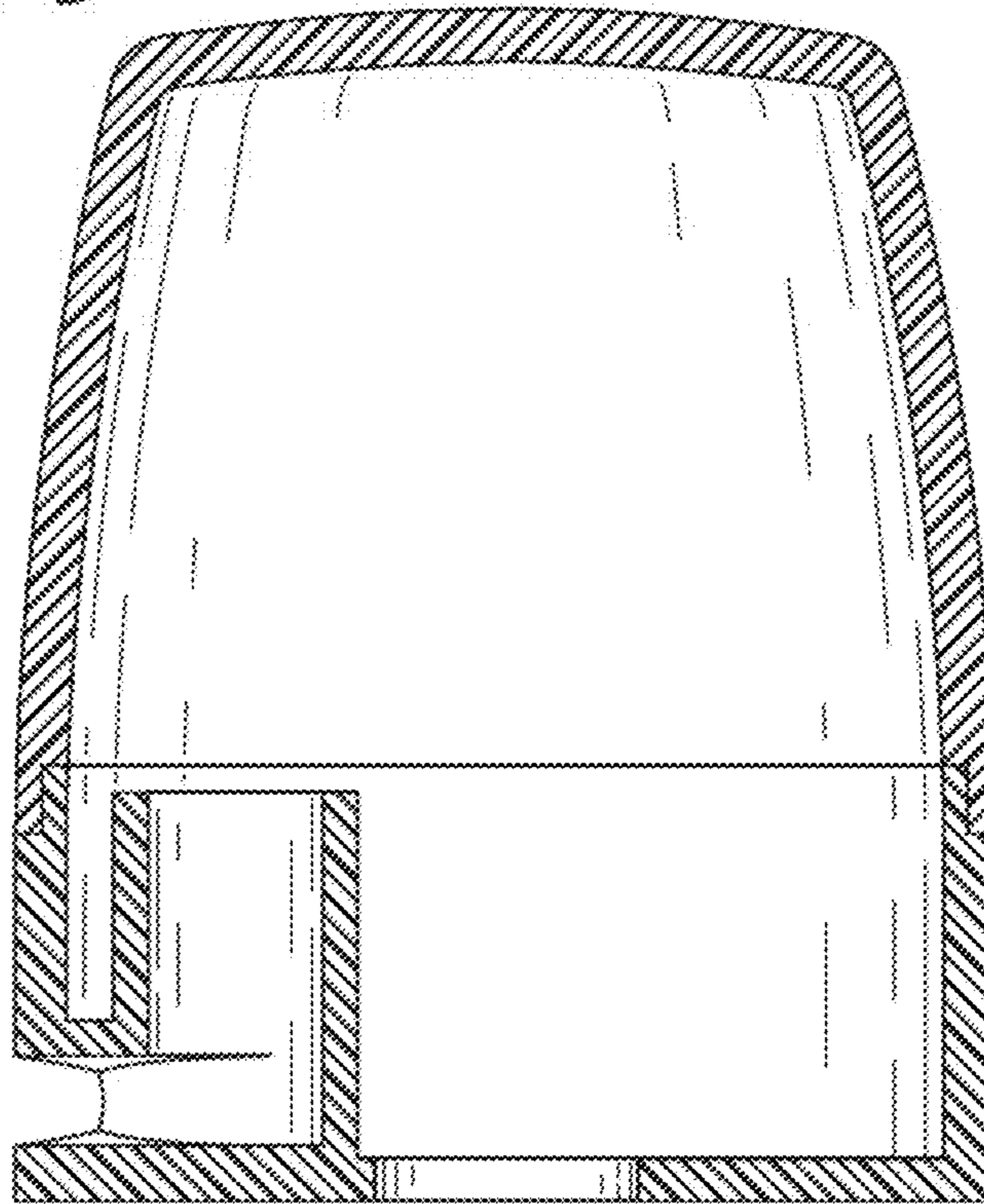


*Fig. 8*





*Fig. 9*



*Fig. 10*

