



US00D918751S

(12) **United States Design Patent** (10) **Patent No.:** **US D918,751 S**  
**Haag** (45) **Date of Patent:** **\*\* \*May 11, 2021**

(54) **REMOTE FOR A DISPLAY AND OPERATING DEVICE**

(71) Applicant: **Robert Bosch GmbH**, Stuttgart (DE)

(72) Inventor: **Frieder Haag**, Wannweil (DE)

(73) Assignee: **Robert Bosch GmbH**, Stuttgart (DE)

(\*) Notice: This patent is subject to a terminal disclaimer.

(\*\*) Term: **15 Years**

(21) Appl. No.: **29/638,513**

(22) Filed: **Feb. 27, 2018**

(30) **Foreign Application Priority Data**

Aug. 28, 2017 (EM) ..... 004169126

(51) **LOC (13) Cl.** ..... **10-04**

(52) **U.S. Cl.**  
USPC ..... **D10/98; D13/168**

(58) **Field of Classification Search**  
USPC ..... D10/70, 98, 103; D13/168  
CPC ..... B62K 21/12; B62K 21/125; B62K 21/16;  
B62K 23/02; B62K 23/04; B62K 23/06;  
B62K 11/14; B62M 25/02; B62M 25/08;  
B62J 99/00; G01C 22/002  
See application file for complete search history.

(56) **References Cited**

**U.S. PATENT DOCUMENTS**

- 5,900,705 A \* 5/1999 Kimura ..... B62H 5/08  
180/221
  - 6,523,772 B2 \* 2/2003 Ueno ..... B62M 25/02  
191/12 R
  - D711,756 S \* 8/2014 Dasbach ..... D10/98
- (Continued)

Primary Examiner — Selina Sikder

(74) *Attorney, Agent, or Firm* — Maginot, Moore & Beck LLP

(57) **CLAIM**

The ornamental design for a remote for a display and operating device, as shown and described.

**DESCRIPTION**

FIG. 1 is a perspective view of a remote for a display and operating device showing my new design in a first configuration;

FIG. 2 is a front elevational view of the remote for a display and operating device of FIG. 1;

FIG. 3 is a rear elevational view of the remote for a display and operating device of FIG. 1;

FIG. 4 is a left side elevational view of the remote for a display and operating device of FIG. 1;

FIG. 5 is a right side elevational view of the remote for a display and operating device of FIG. 1;

FIG. 6 is a top plan view of the remote for a display and operating device of FIG. 1; and

FIG. 7 is a bottom plan view of the remote for a display and operating device of FIG. 1.

FIG. 8 is a perspective view of the remote for a display and operating device showing my new design in a second configuration;

FIG. 9 is a front elevational view of the remote for a display and operating device of FIG. 8;

FIG. 10 is a rear elevational view of the remote for a display and operating device of FIG. 8;

FIG. 11 is a left side elevational view of the remote for a display and operating device of FIG. 8;

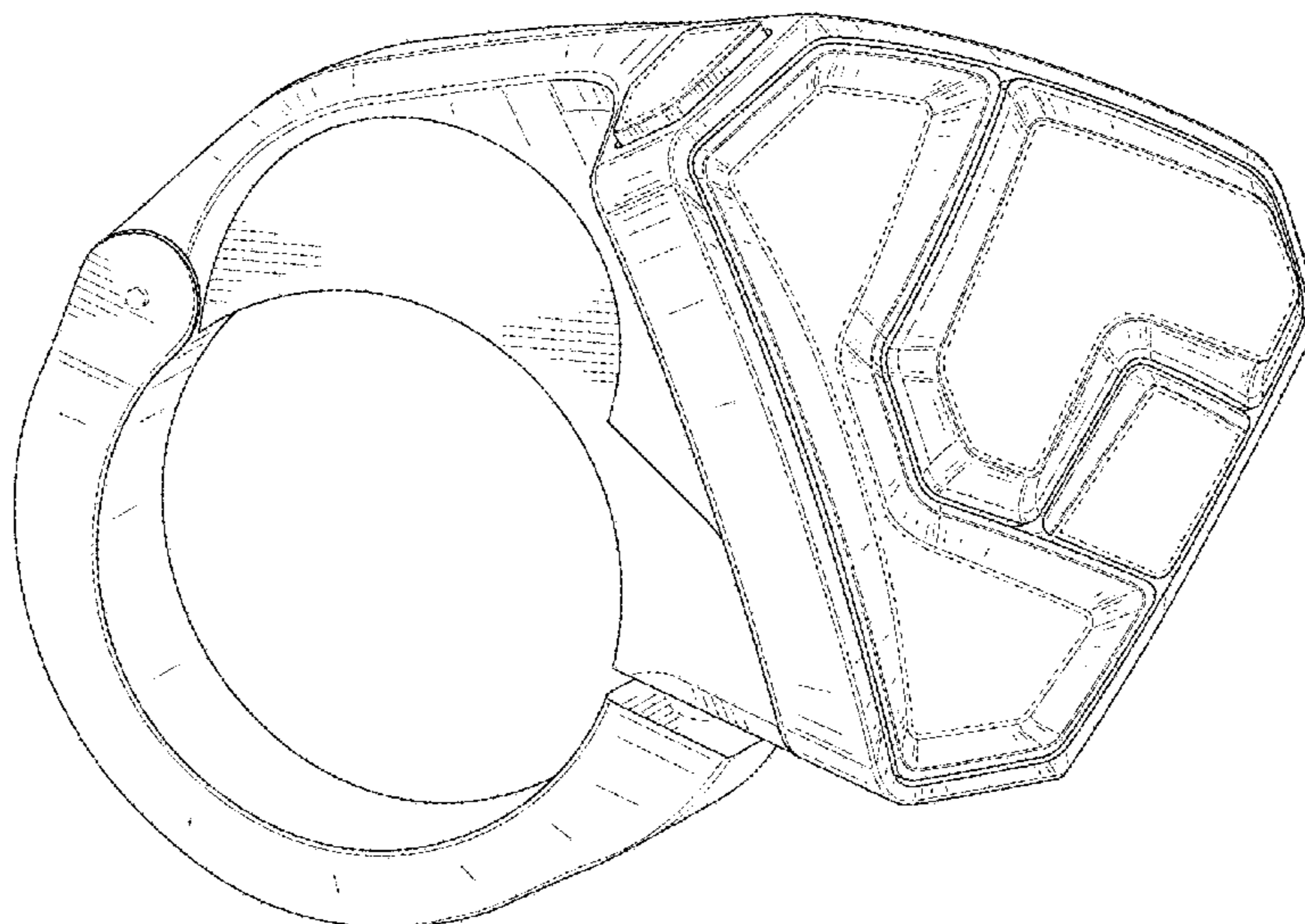
FIG. 12 is a right side elevational view of the remote for a display and operating device of FIG. 8;

FIG. 13 is a top plan view of the remote for a display and operating device of FIG. 8; and,

FIG. 14 is a bottom plan view of the remote for a display and operating device of FIG. 8.

The broken lines shown in the drawings illustrate portions of the remote for a display and operating device that form no part of the claimed design.

**1 Claim, 14 Drawing Sheets**



(56)

**References Cited**

U.S. PATENT DOCUMENTS

D725,610 S \* 3/2015 Dasbach ..... D13/168  
D842,737 S \* 3/2019 Haag ..... D10/98  
D843,867 S \* 3/2019 Haag ..... D10/98  
10,780,940 B2 \* 9/2020 Kakinoki ..... B62M 25/08  
2003/0234163 A1 \* 12/2003 Ichida ..... H01H 21/50  
200/4  
2014/0139977 A1 \* 5/2014 Kosaka ..... B62K 23/06  
361/679.01  
2016/0195933 A1 \* 7/2016 Yang ..... G06F 3/015  
345/156  
2018/0203488 A1 \* 7/2018 Hawkins, III ..... G06F 1/1632

\* cited by examiner

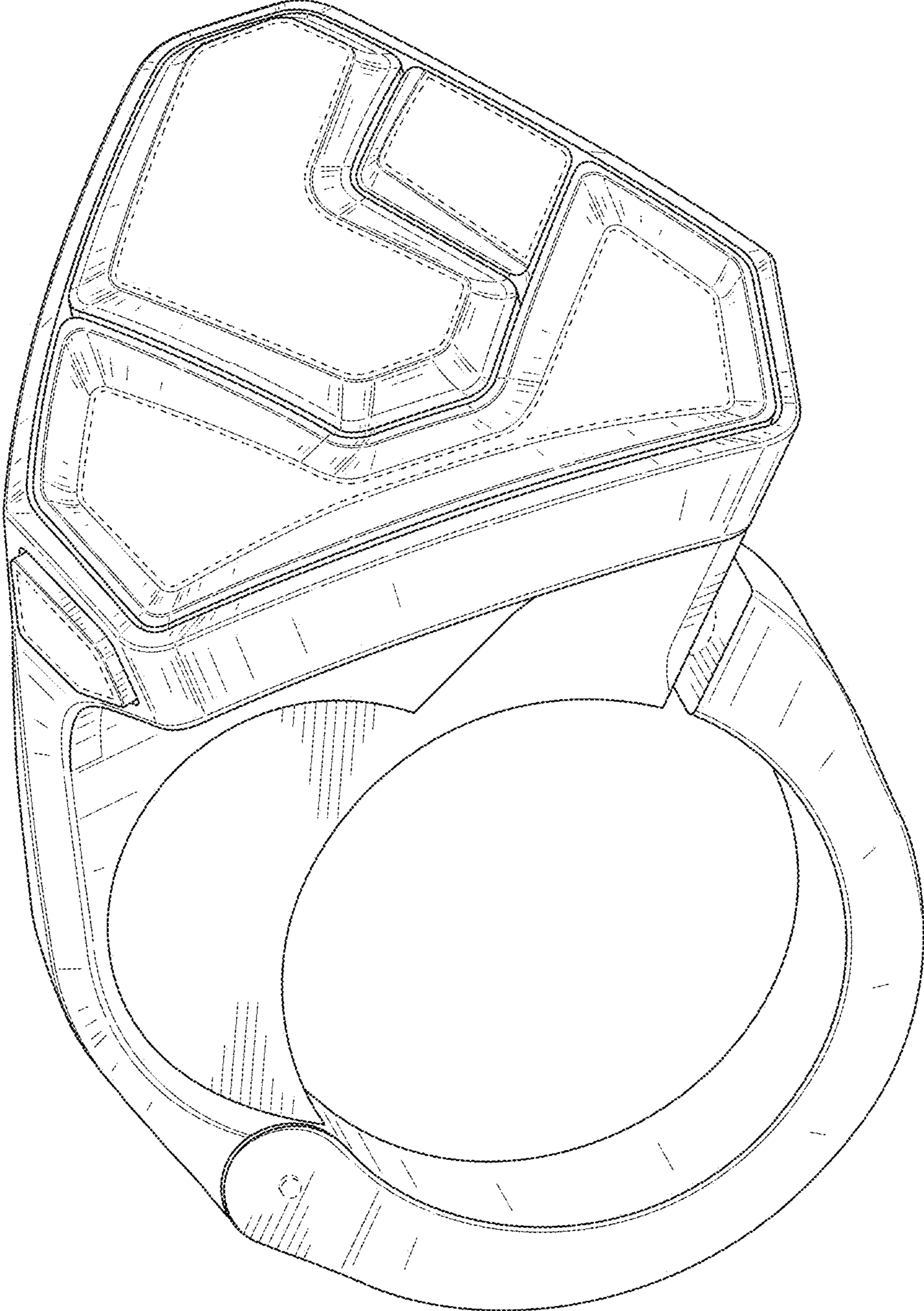


FIG. 1



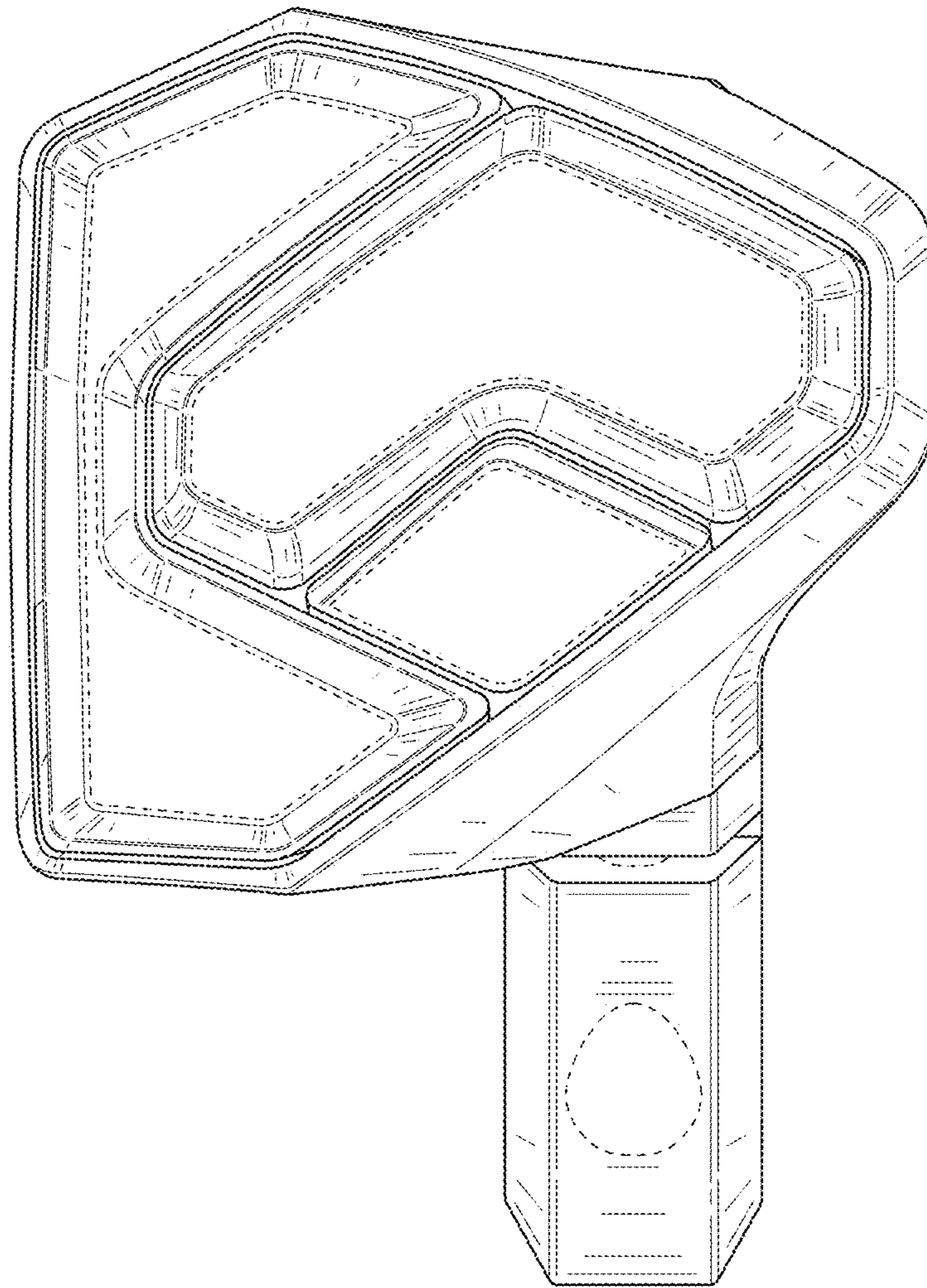


FIG. 2

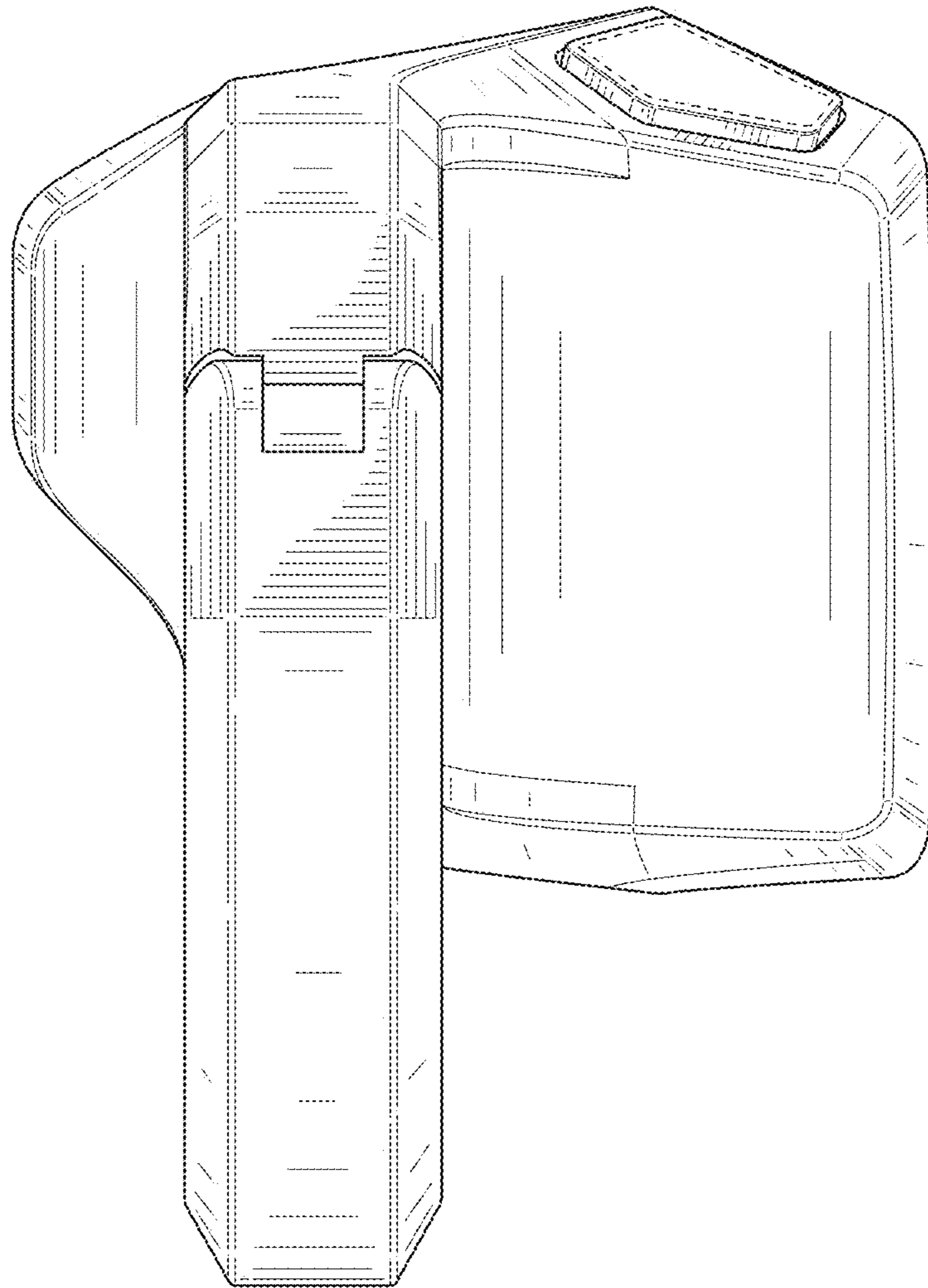


FIG. 3

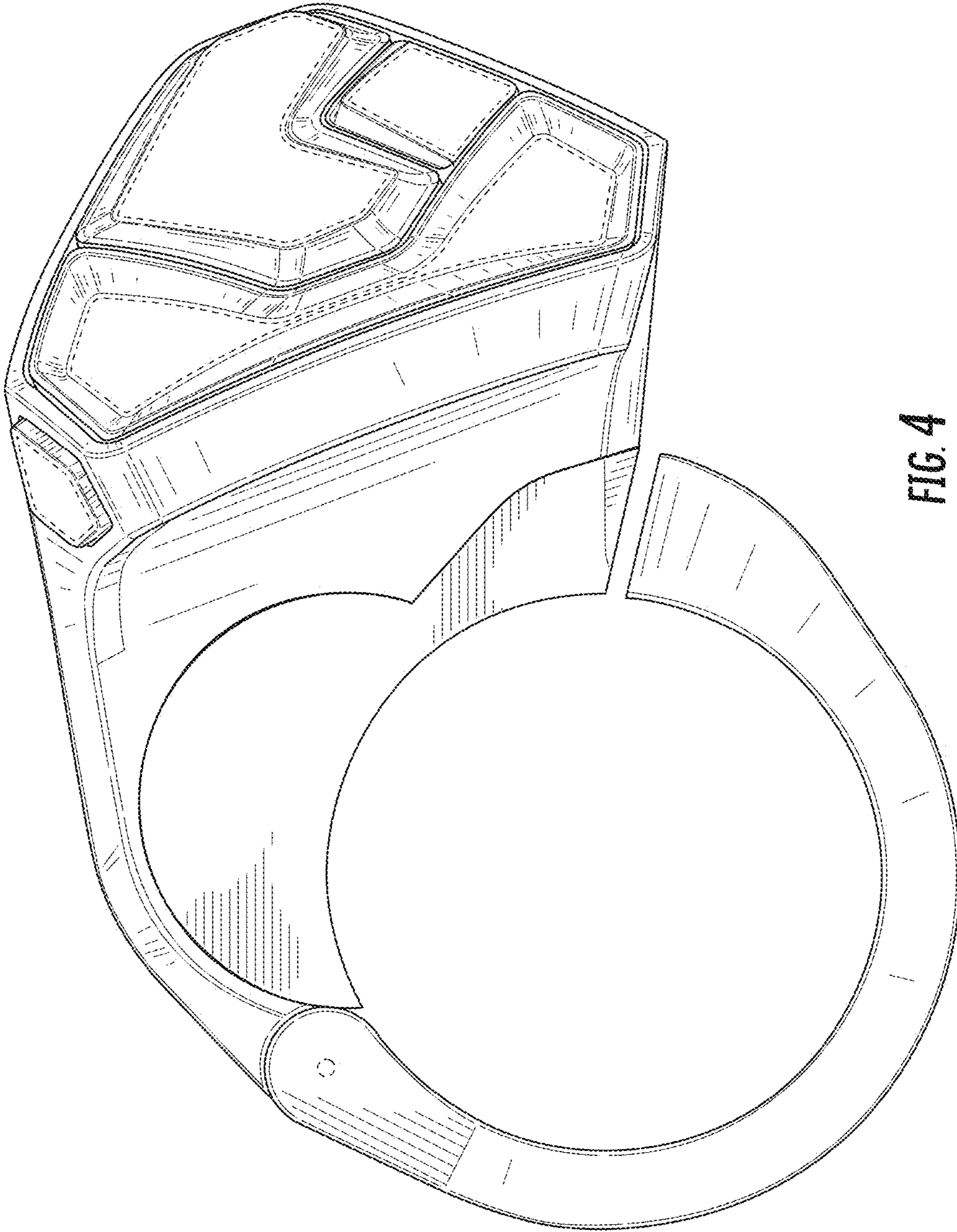


FIG. 4

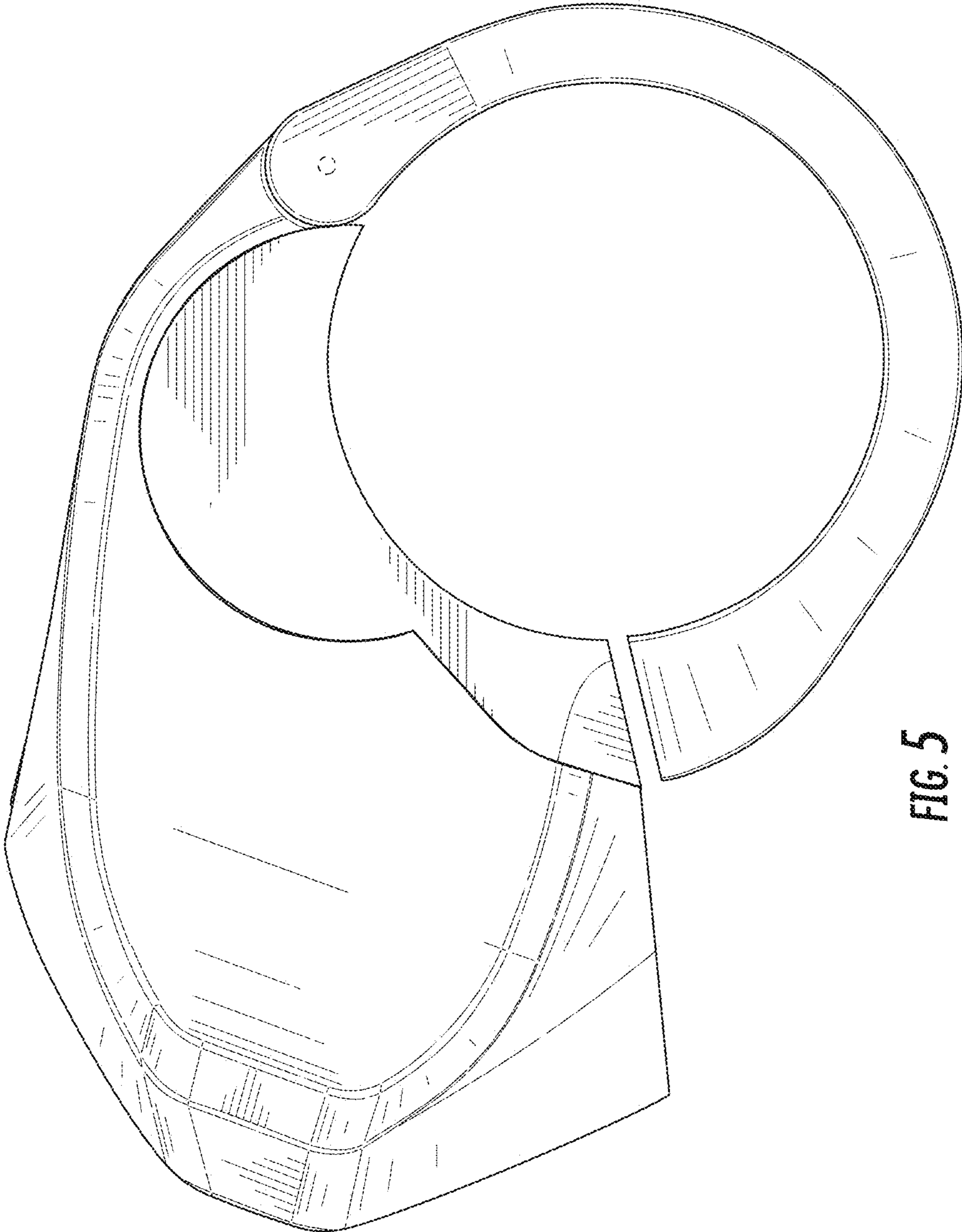


FIG. 5



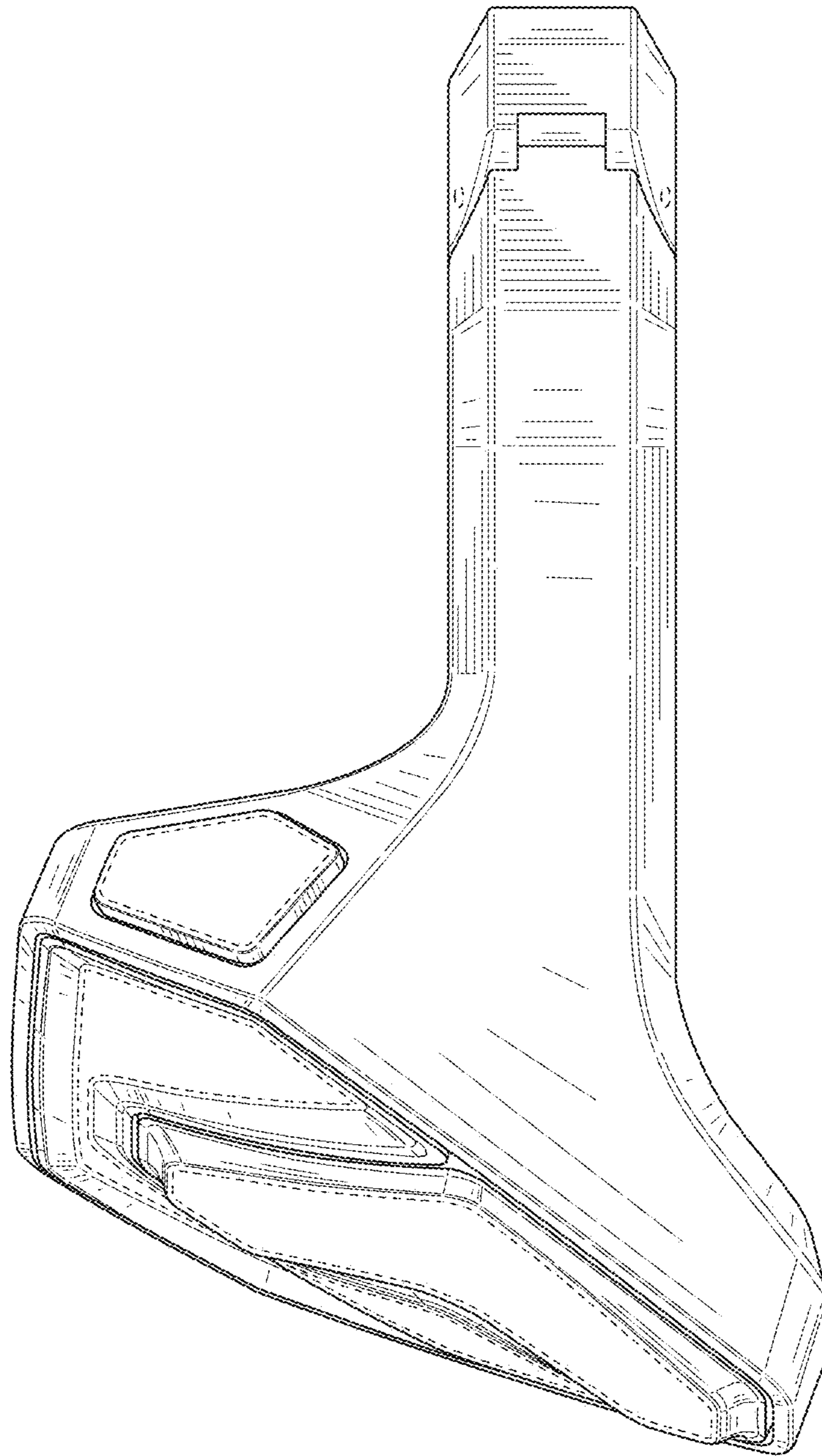
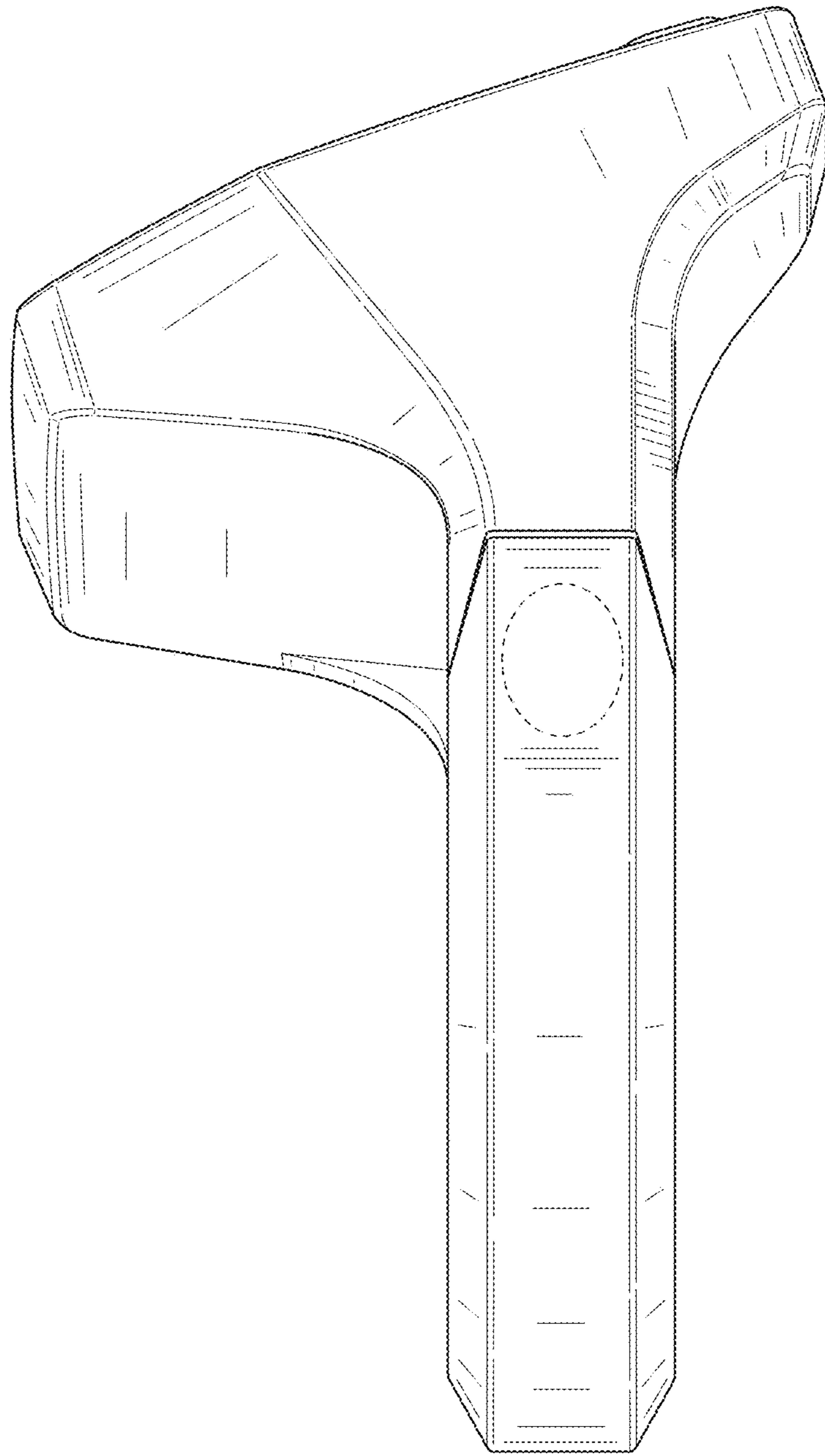


FIG. 6





**FIG. 7**

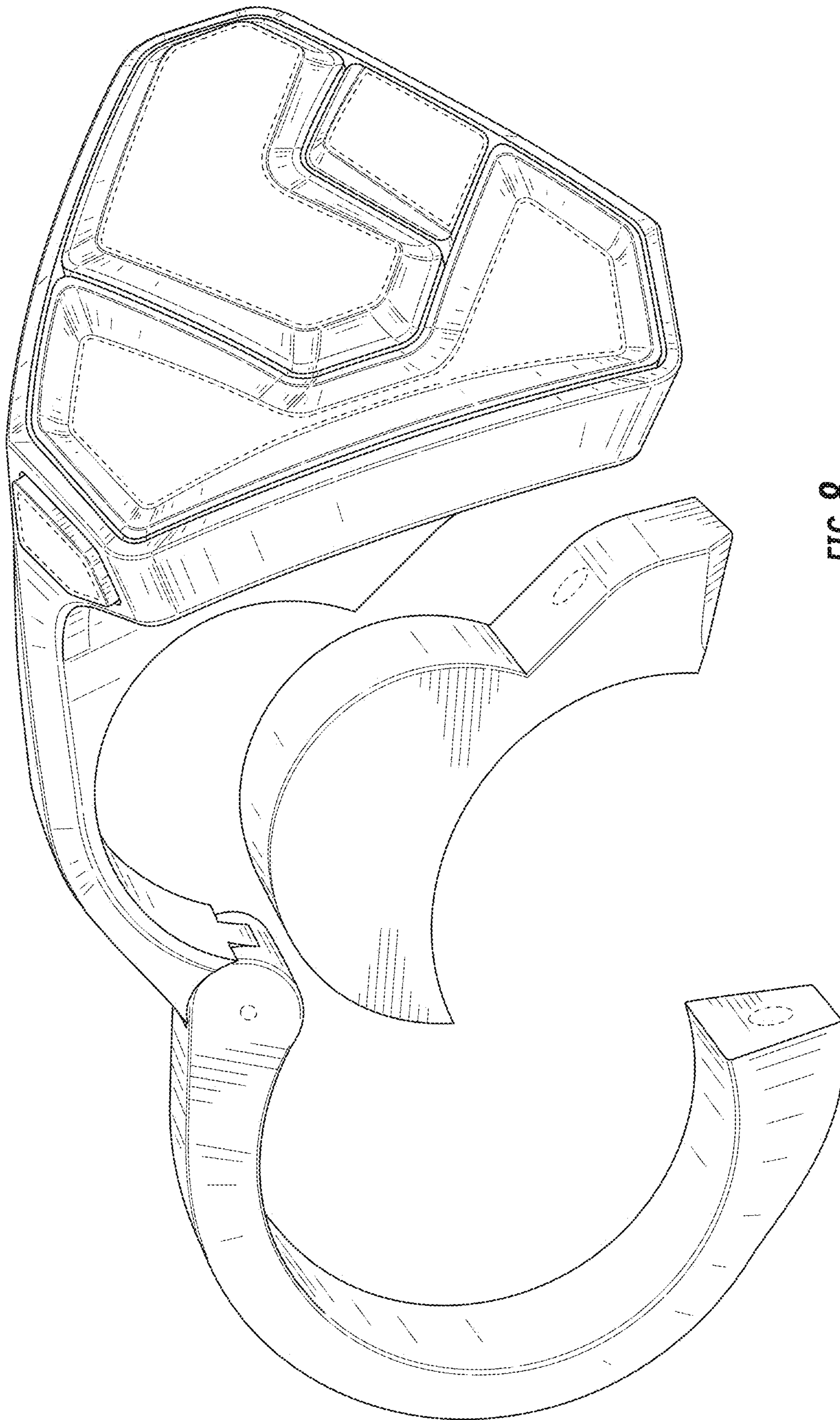


FIG. 8

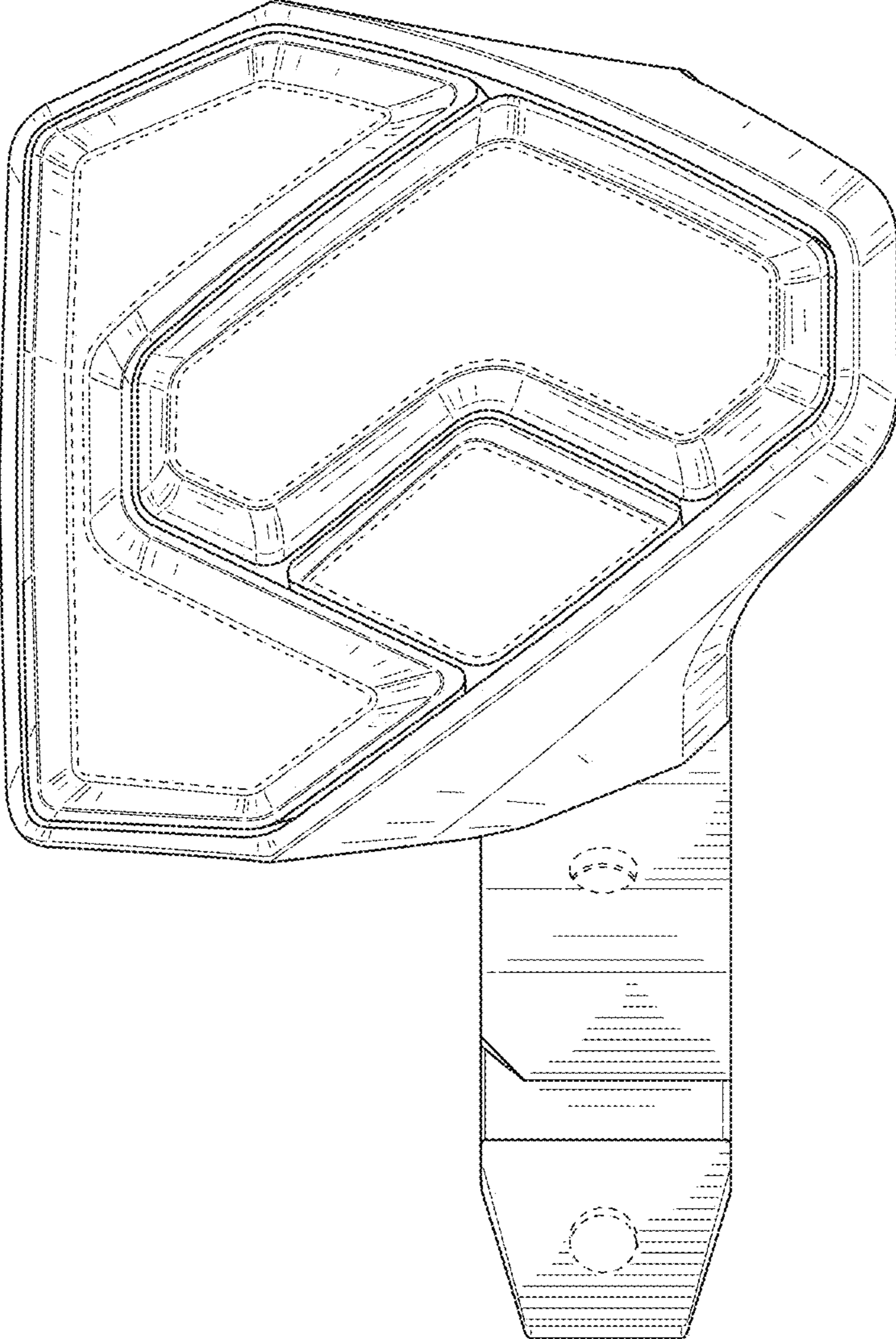
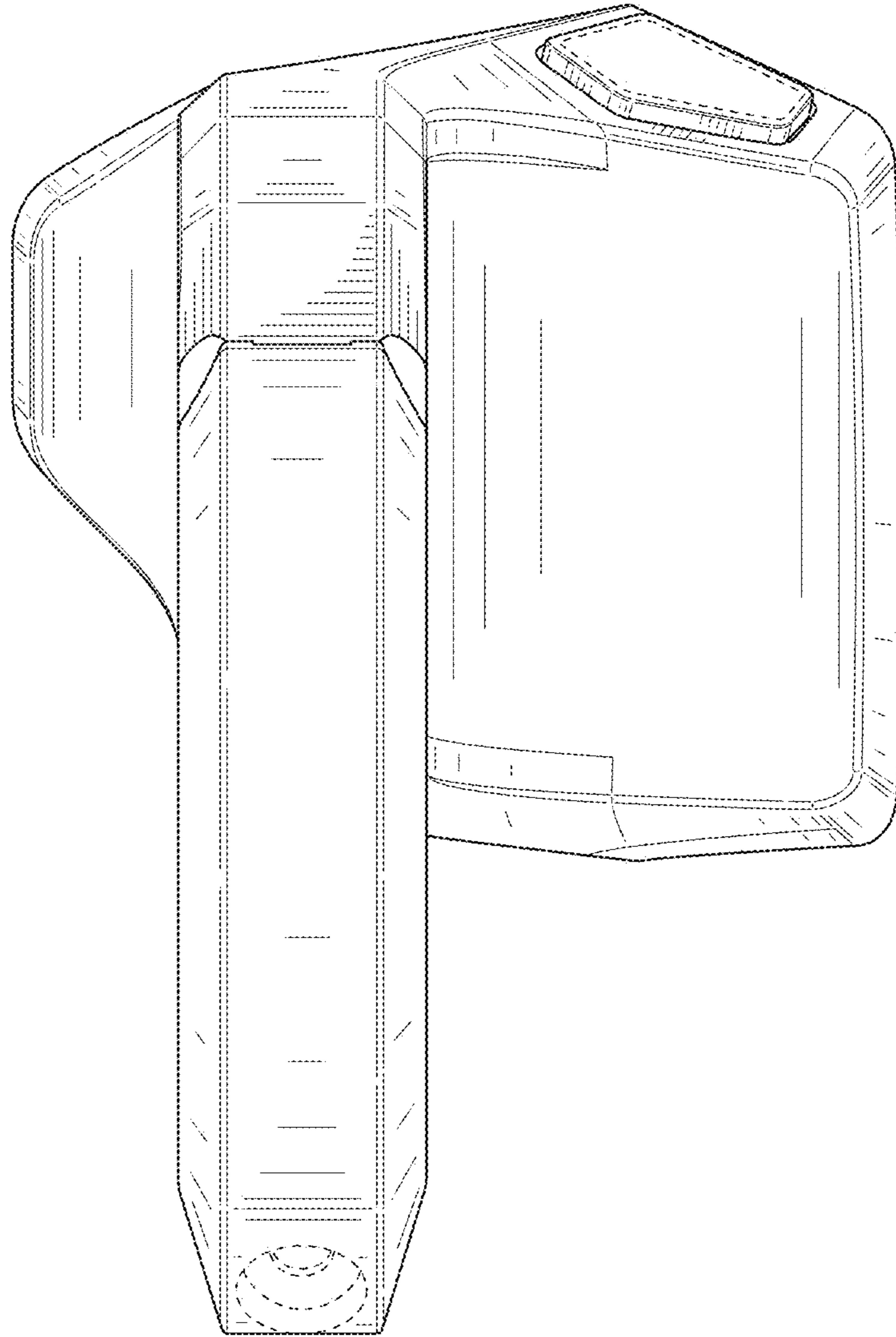


FIG. 9



**FIG. 10**



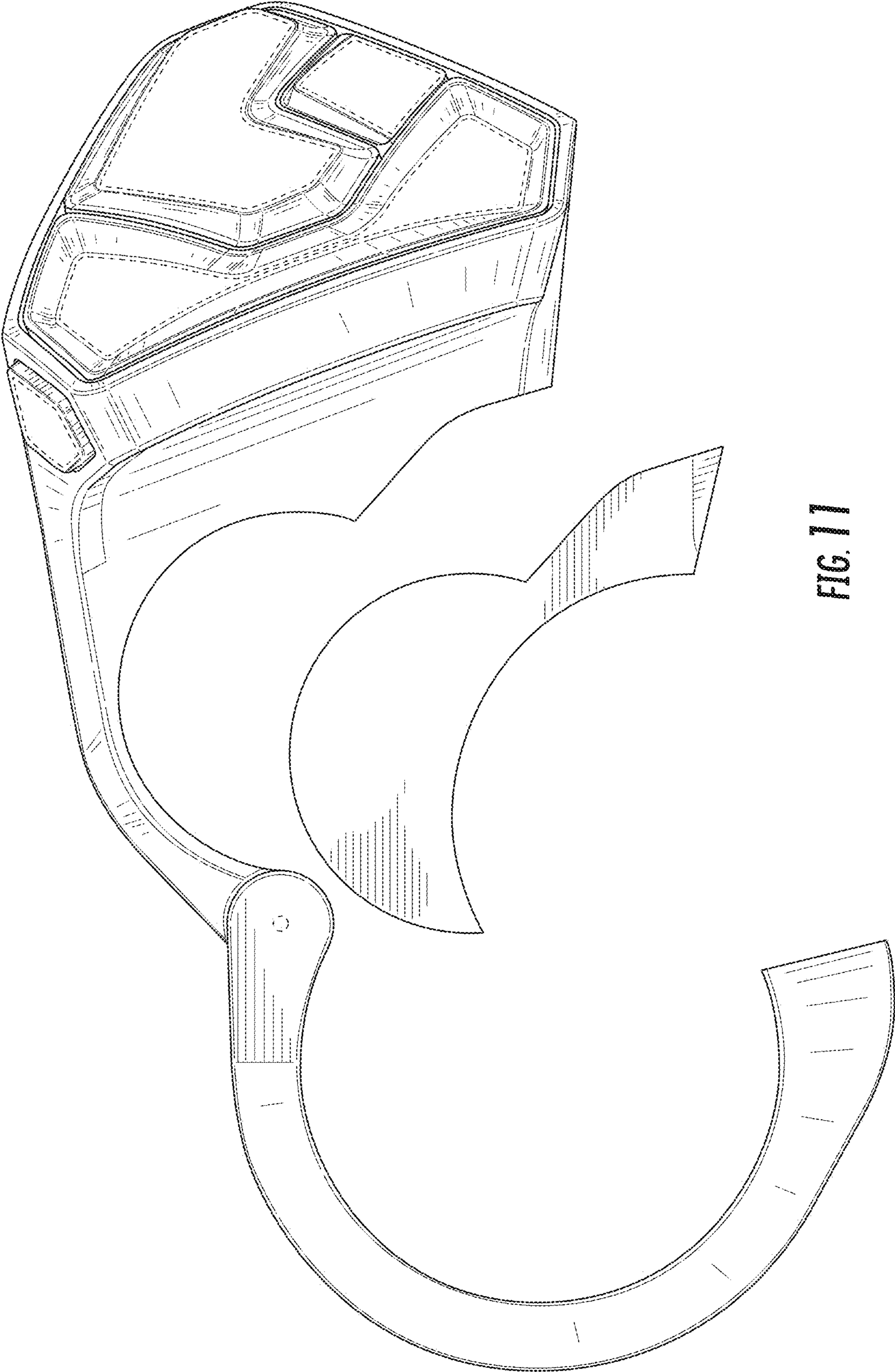


FIG. 11

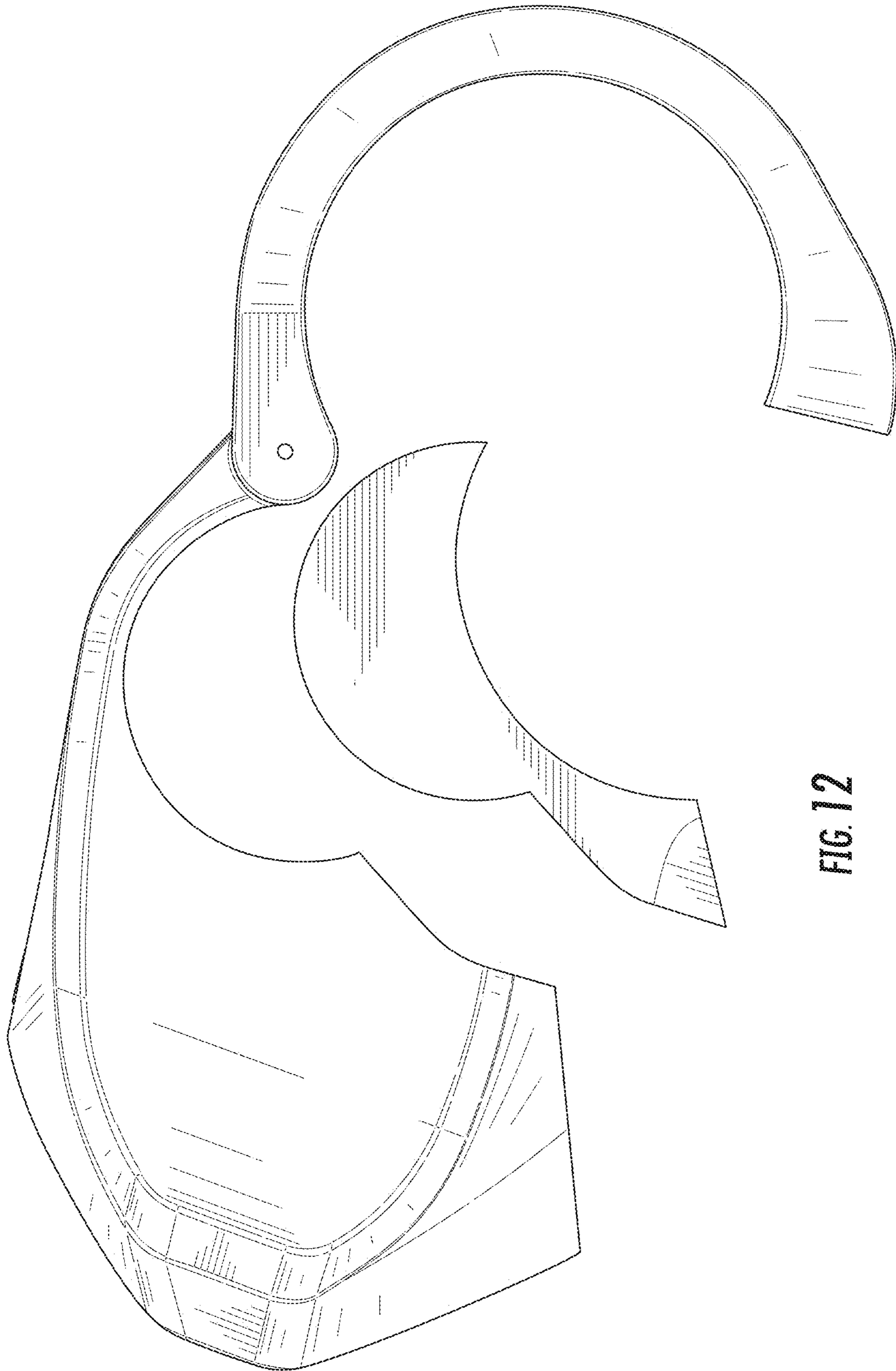


FIG. 12

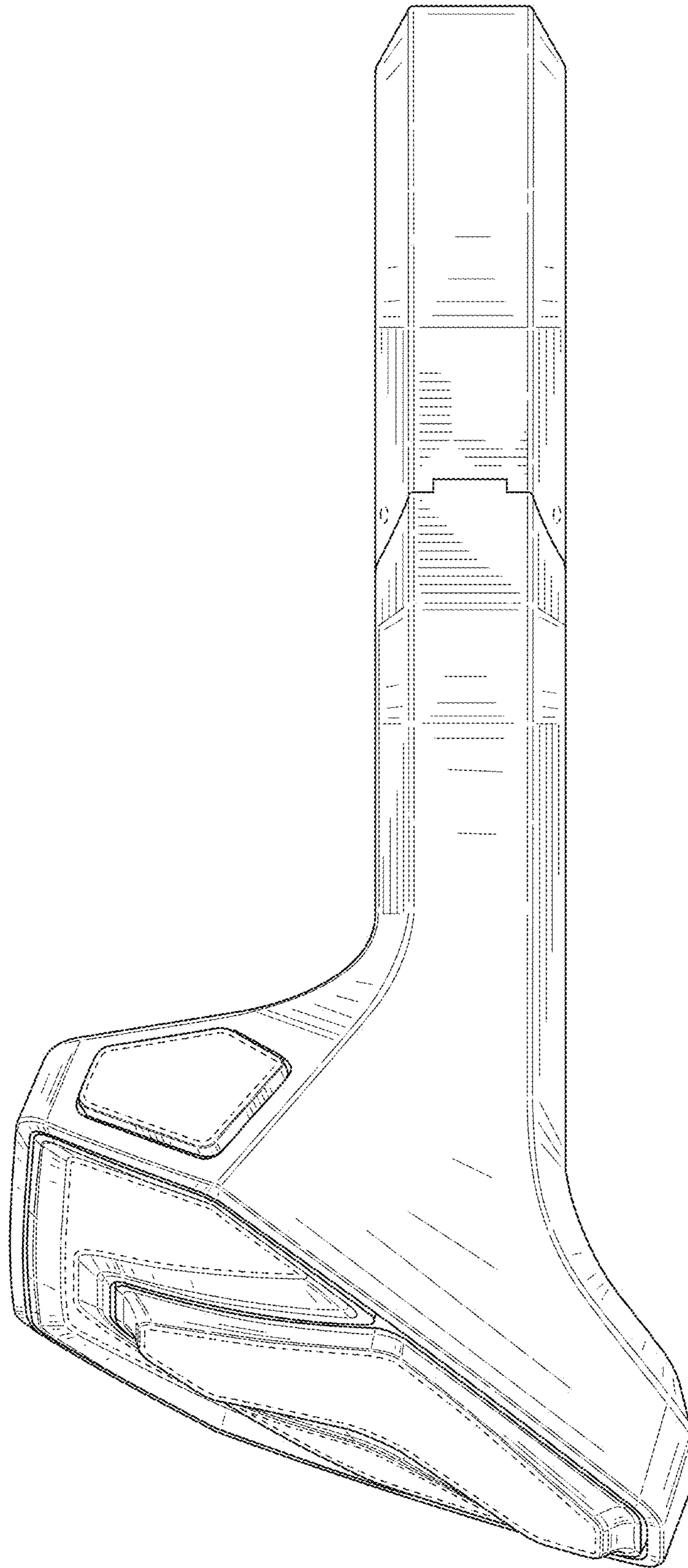


FIG. 13

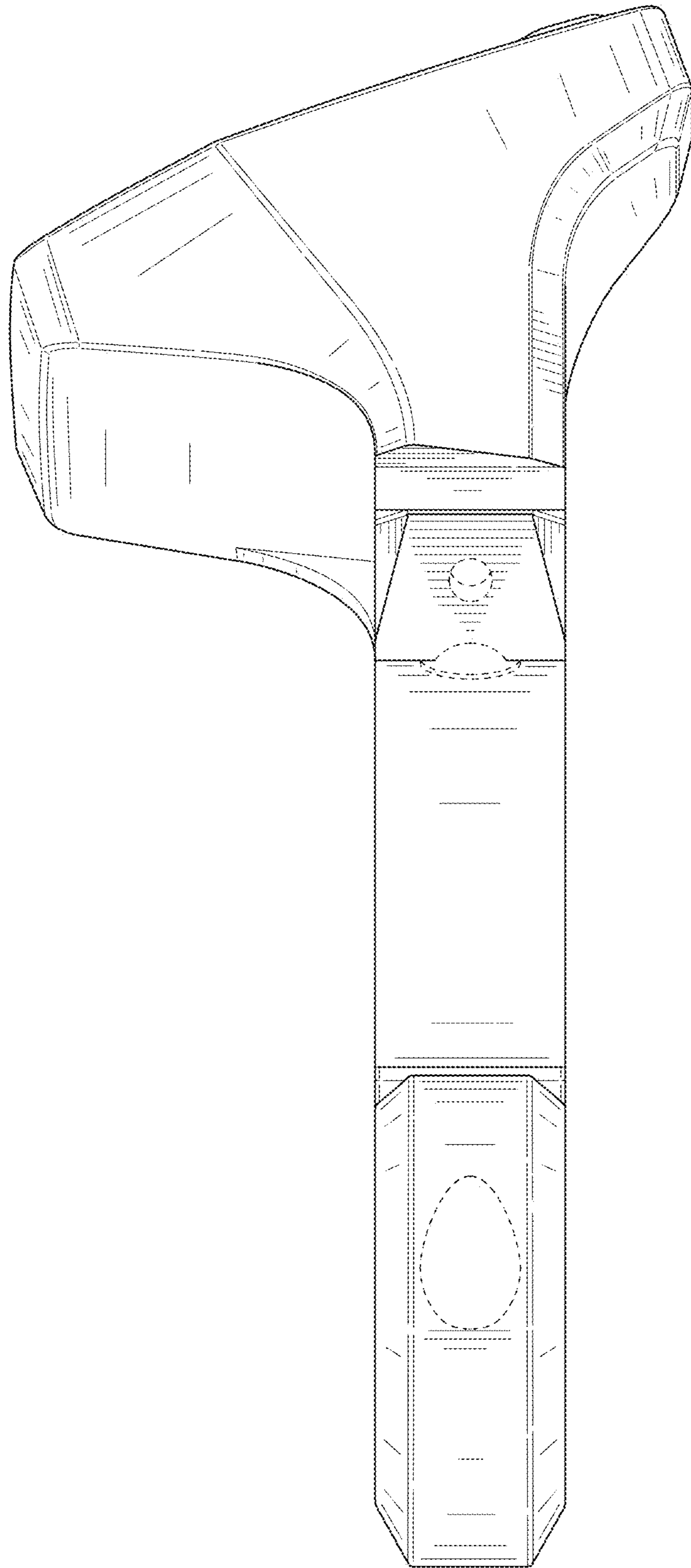


FIG. 14