



US00D918750S

(12) **United States Design Patent** (10) **Patent No.:** **US D918,750 S**
Wilkin (45) **Date of Patent:** **** May 11, 2021**

(54) **SCALE WITH AN EXTENDABLE LENGTH MEASURING INSTRUMENT**

D513,476 S * 1/2006 Koberling D10/93
D592,535 S * 5/2009 Li D10/93
D639,192 S * 6/2011 Li D10/93
D645,368 S * 9/2011 Shiloh D10/93

(71) Applicant: **seca GmbH & Co. KG**, Hamburg (DE)

* cited by examiner

(72) Inventor: **James Wilkin**, Santa Ana, CA (US)

Primary Examiner — George D. Kirschbaum

(**) Term: **15 Years**

(21) Appl. No.: **35/508,687**

(22) Filed: **Apr. 18, 2019**

(57) **CLAIM**

(80) **Hague Agreement Data**

Int. Filing Date: **Apr. 18, 2019**

Int. Reg. No.: **DM/205958**

Int. Reg. Date: **Apr. 18, 2019**

Int. Reg. Pub. Date: **Feb. 28, 2020**

The ornamental design for a scale with an extendable length measuring instrument, as shown and described.

(51) **LOC (13) Cl.** **10-04**

(52) **U.S. Cl.**
USPC **D10/93**

DESCRIPTION

(58) **Field of Classification Search**

USPC D10/93

See application file for complete search history.

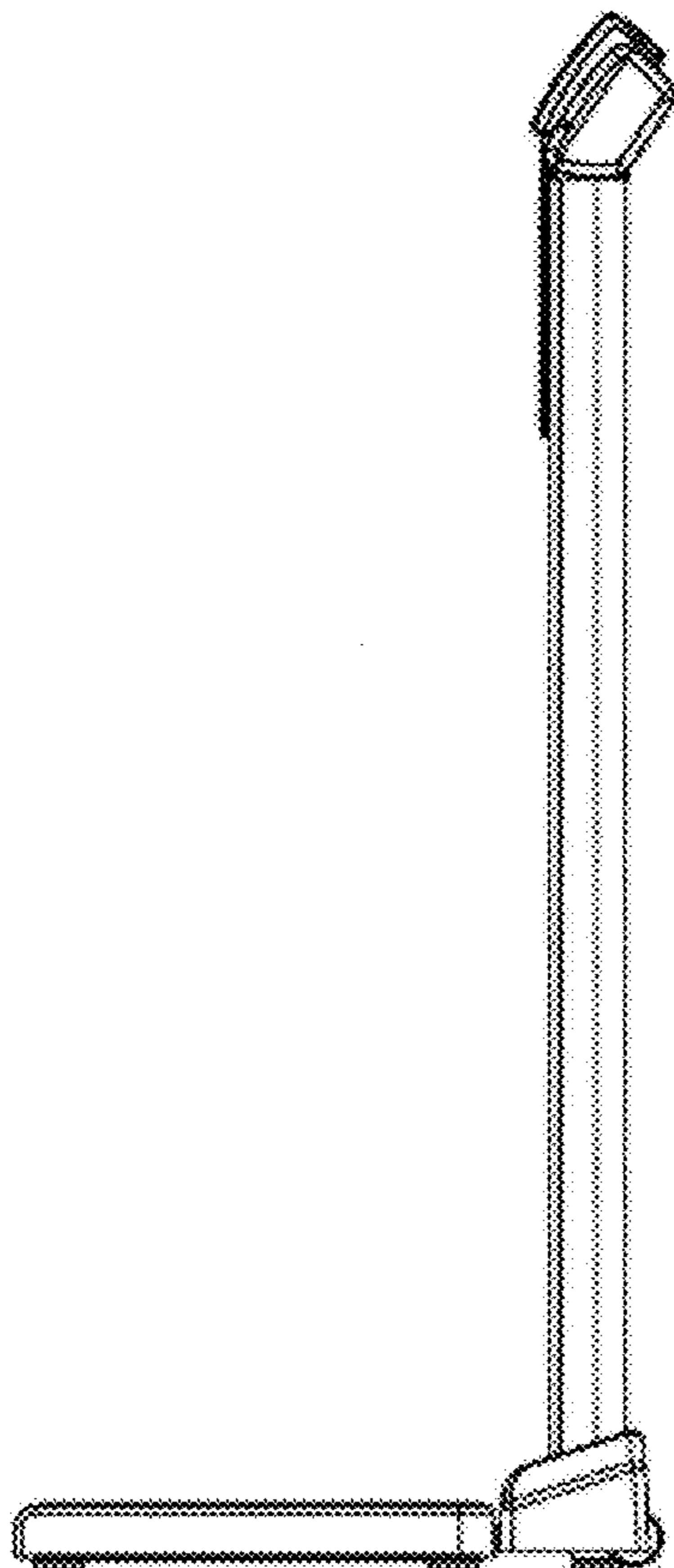
- 1. Scale with an extendable length measuring instrument
- 1.1 : Right
- 1.2 : Front
- 1.3 : Left
- 1.4 : Back
- 1.5 : Perspective
- 1.6 : Bottom
- 1.7 : Top
- 1.8 : Perspective view with extended measuring stick
- 1.9 : Perspective view with extended measuring stick
- 1.10 : Perspective detail view

(56) **References Cited**

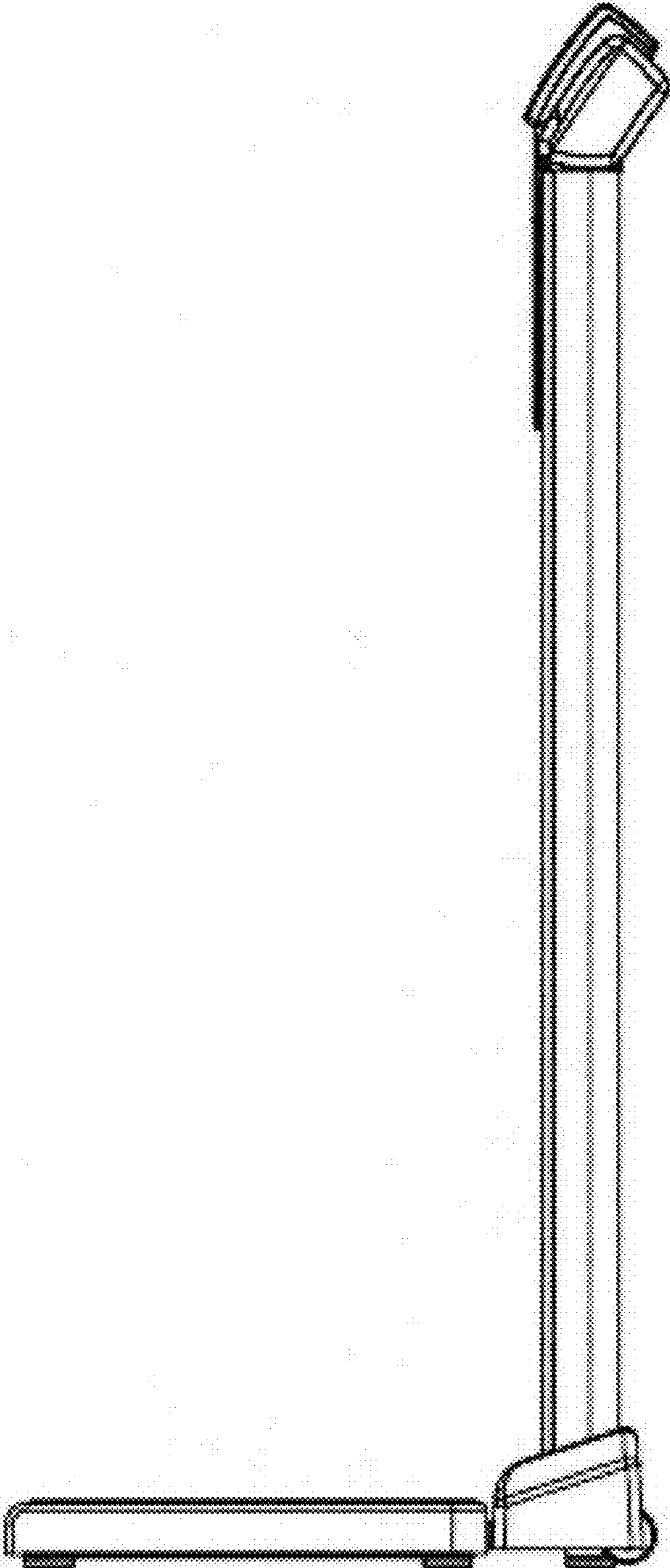
U.S. PATENT DOCUMENTS

D456,291 S * 4/2002 Montagnino D10/93
D506,155 S * 6/2005 Montagnino D10/93

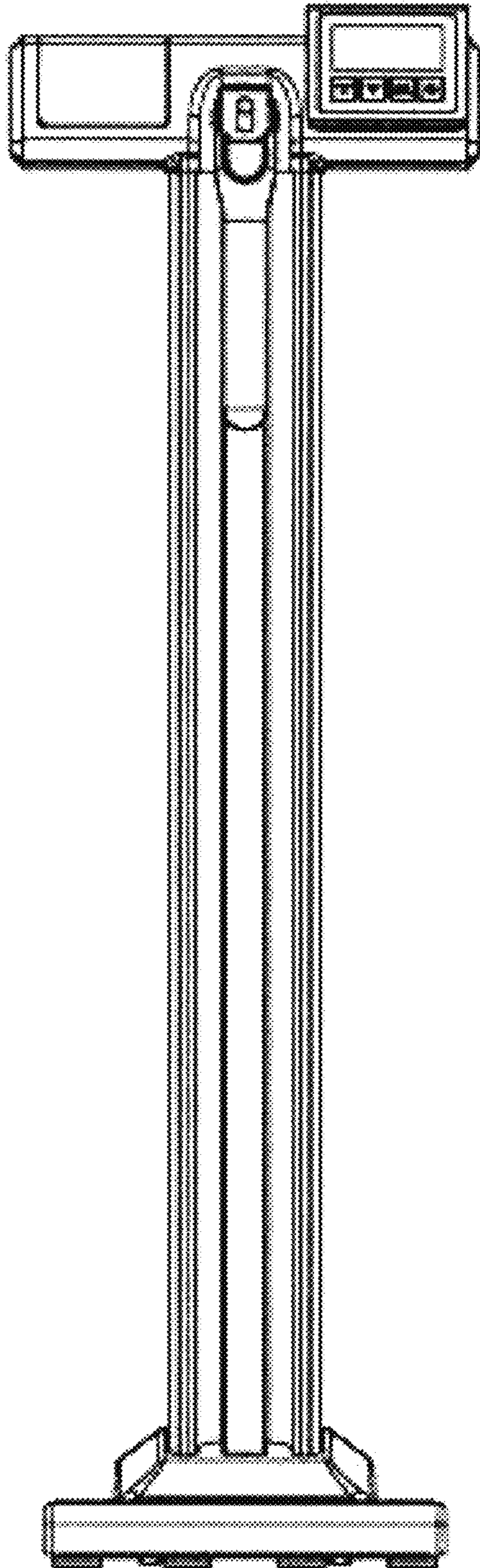
1 Claim, 10 Drawing Sheets



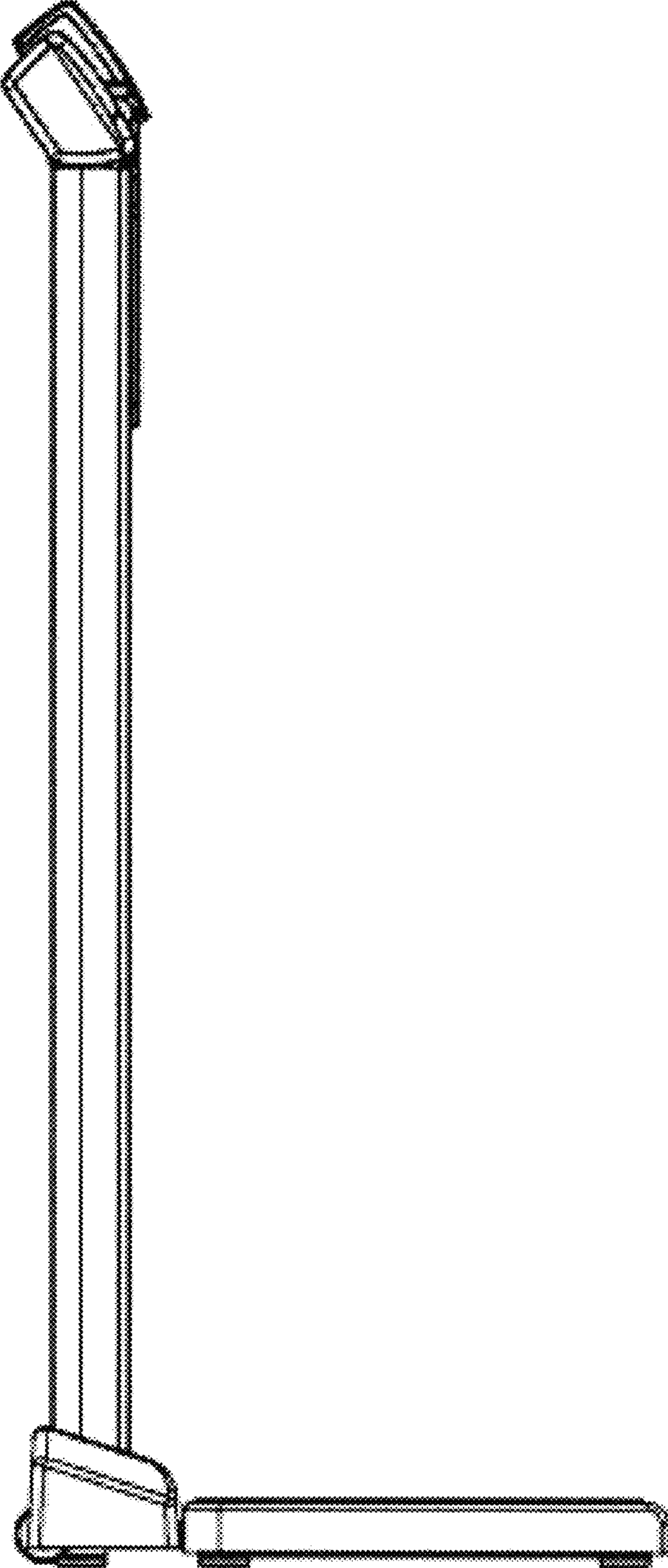
1.1



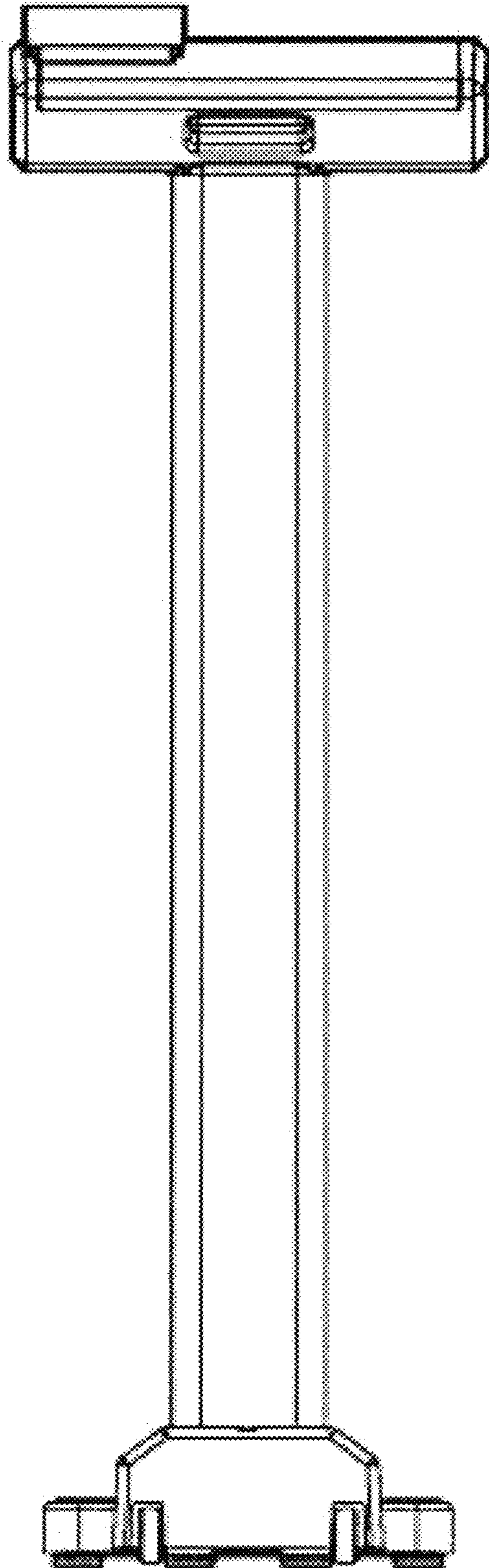
1.2



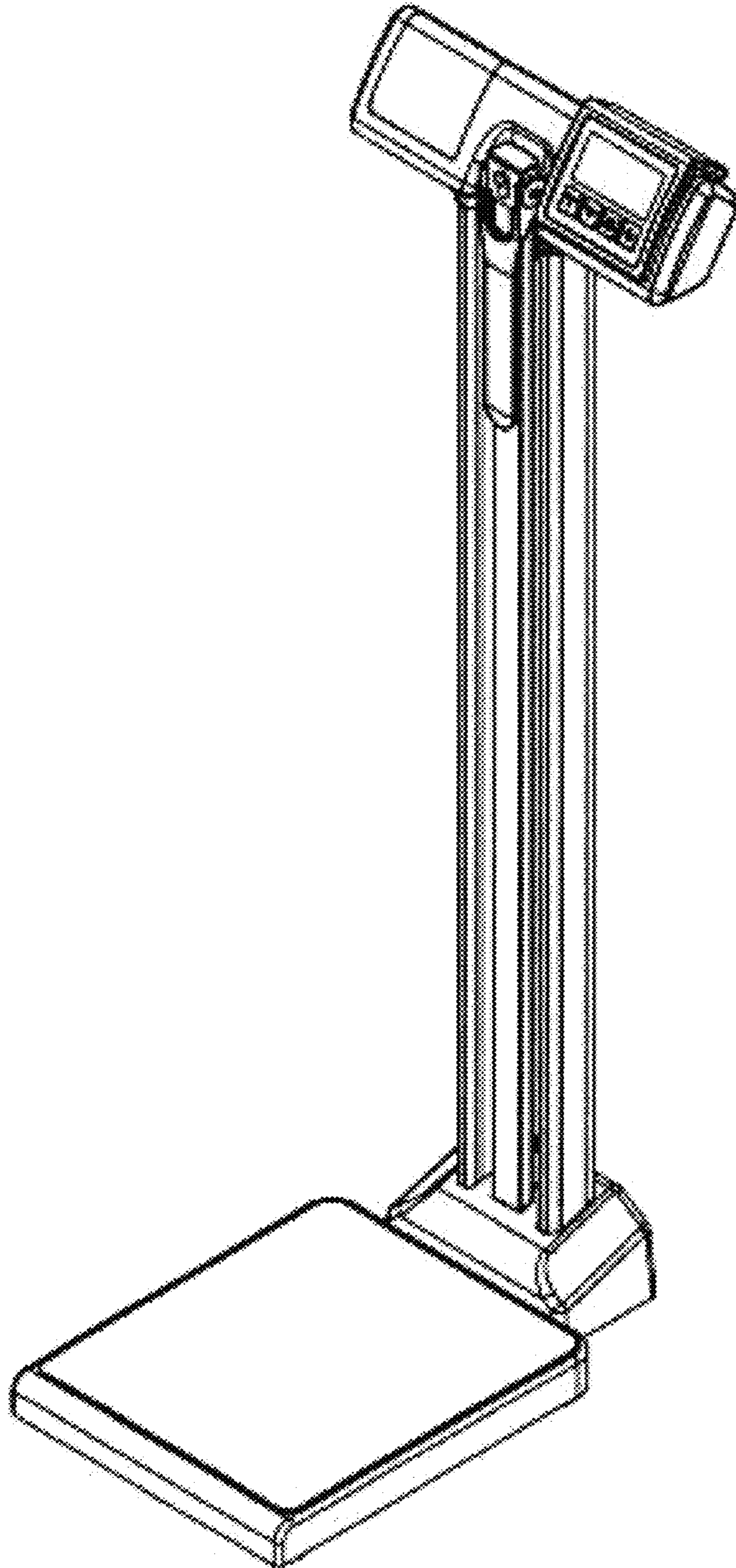
1.3



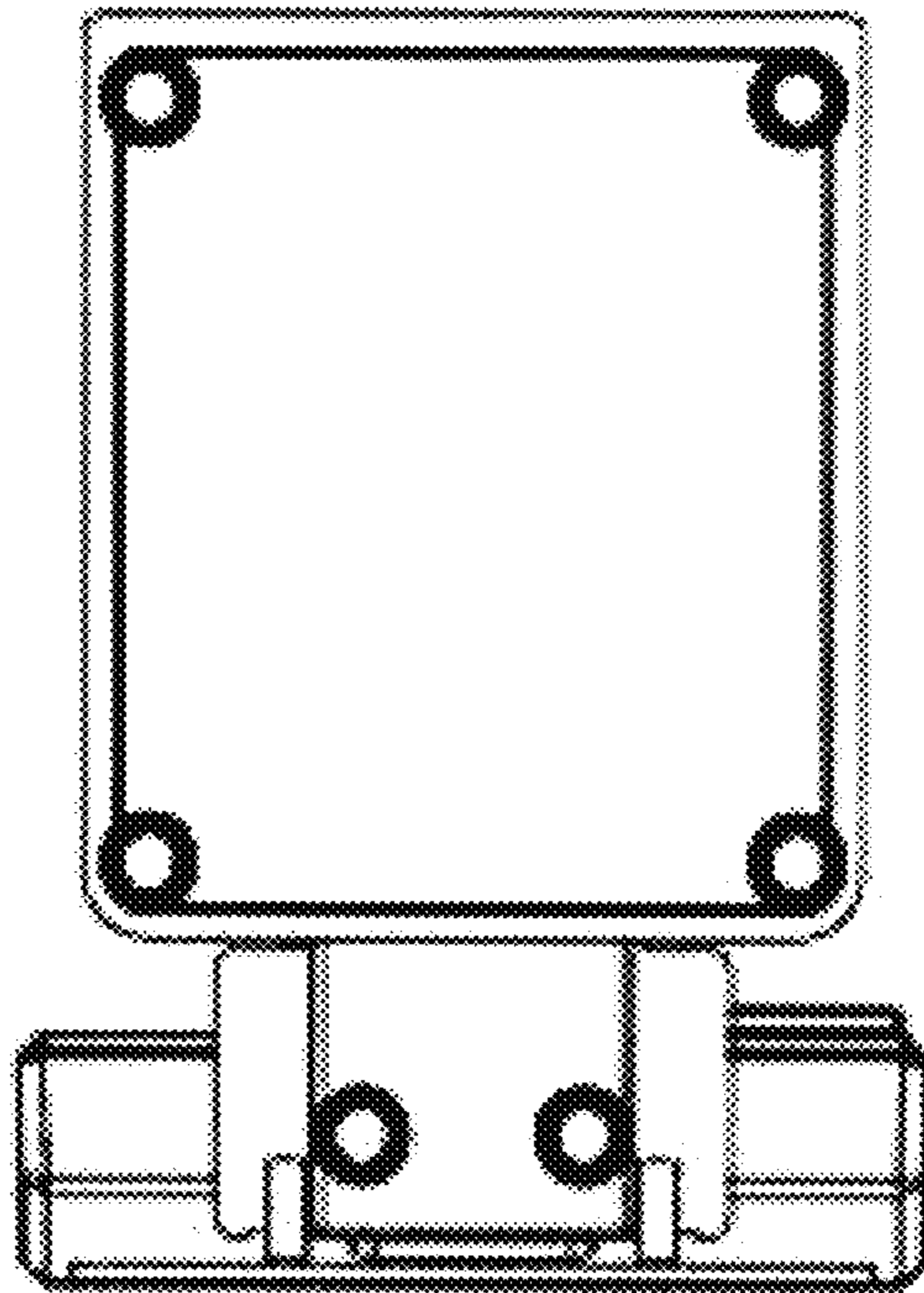
1.4



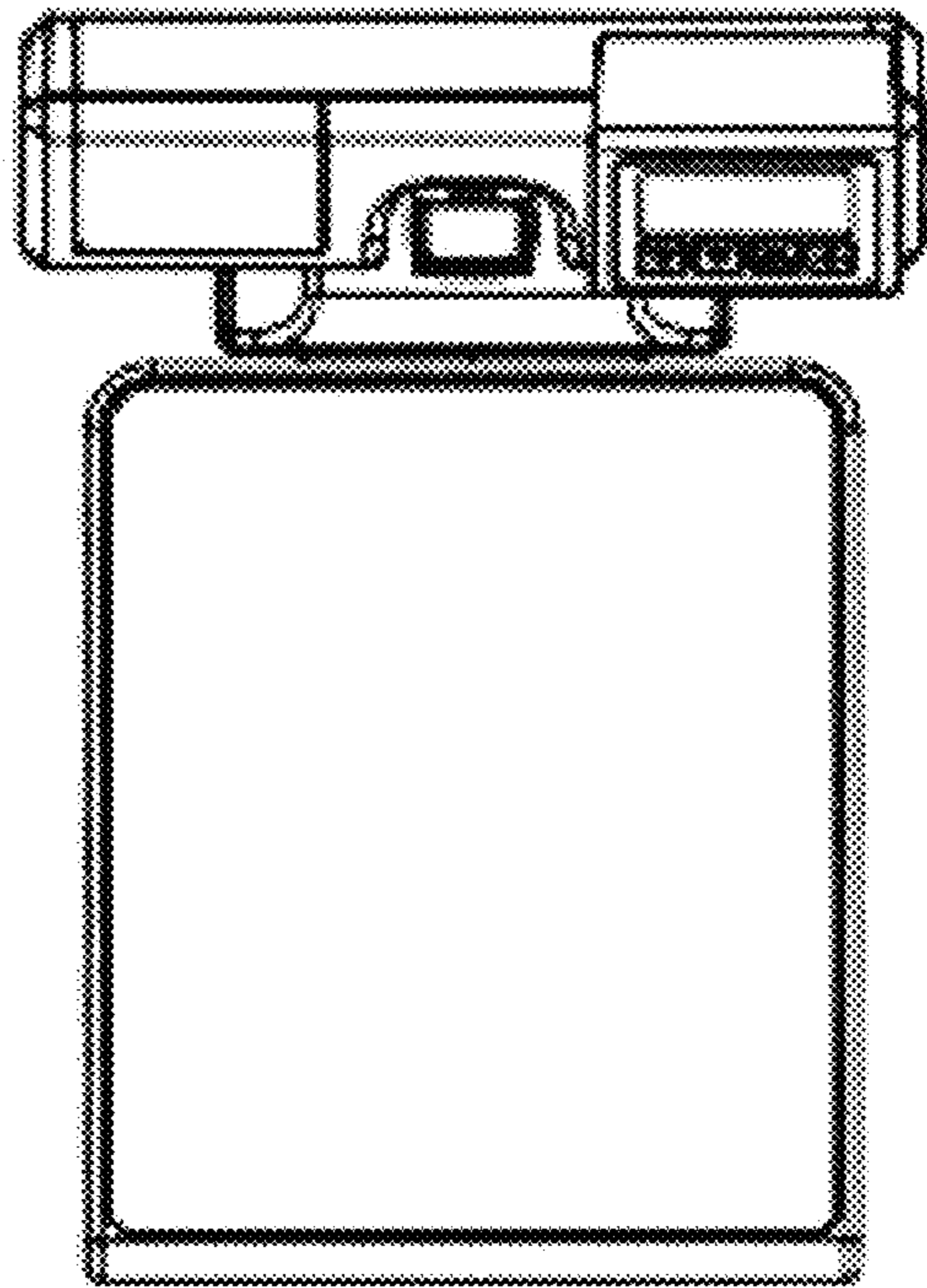
1.5



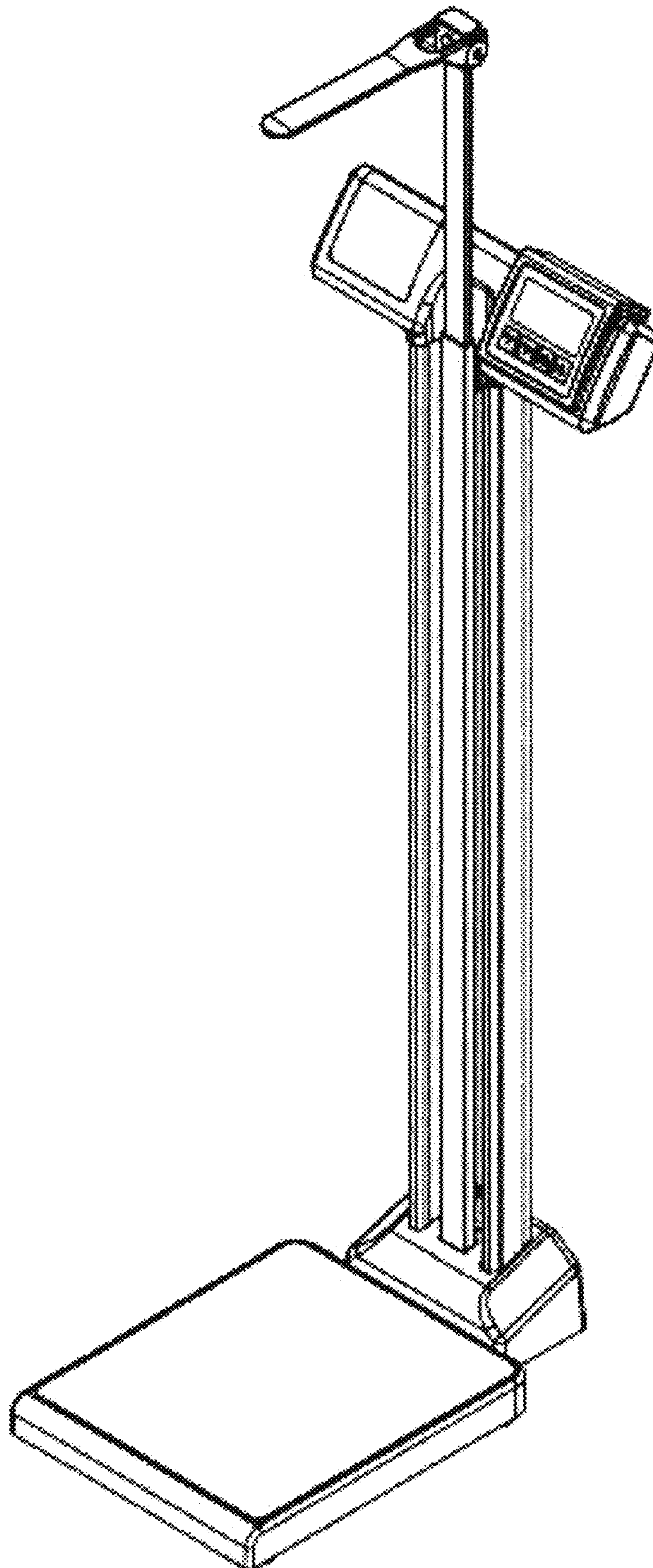
1.6



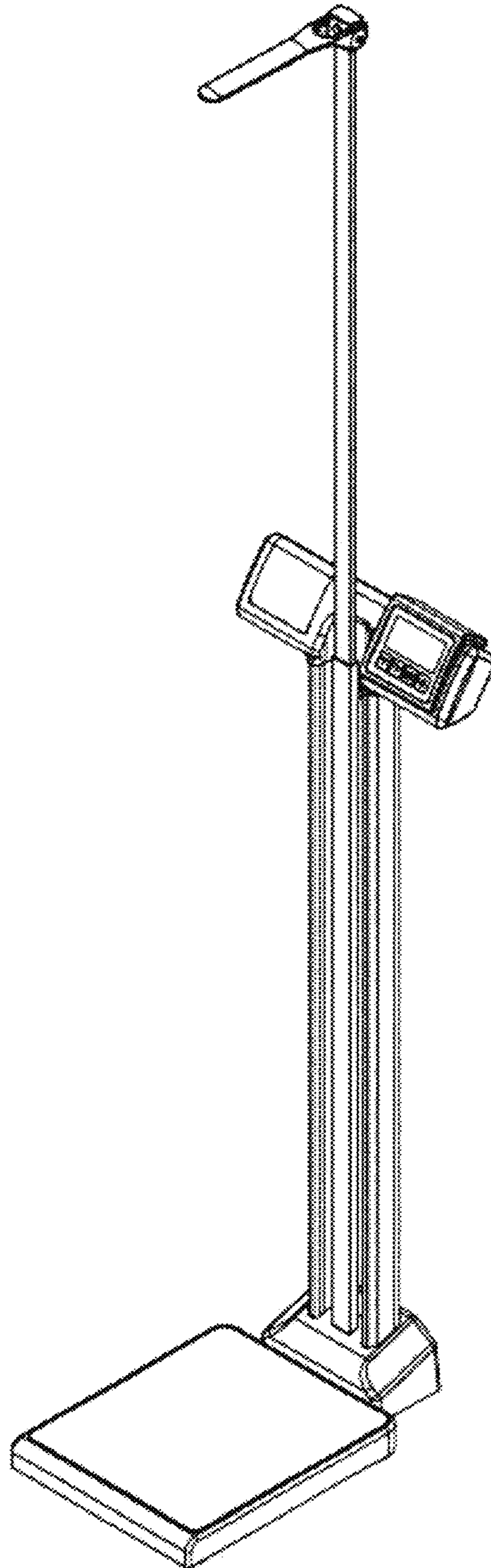
1.7



1.8



1.9



1.10

