



US00D918748S

(12) **United States Design Patent** (10) **Patent No.:** **US D918,748 S**
Zhao et al. (45) **Date of Patent:** **** May 11, 2021**

(54) **AUTOMOBILE FAULT DIAGNOSIS INSTRUMENT**

(71) Applicant: **AUTOPHIX TECH CO., LTD,**
Guangdong (CN)

(72) Inventors: **Yutao Zhao,** Guangdong (CN); **Qing Huang,** Guangdong (CN); **Jian Hao,** Guangdong (CN)

(73) Assignee: **AUTOPHIX TECH CO., LTD,**
Shenzhen (CN)

(**) Term: **15 Years**

(21) Appl. No.: **29/753,161**

(22) Filed: **Sep. 30, 2020**

(30) **Foreign Application Priority Data**

Jun. 1, 2020 (CN) 202030266612.1

(51) **LOC (13) Cl.** **10-05**

(52) **U.S. Cl.**
USPC **D10/78**

(58) **Field of Classification Search**
USPC D10/46, 61, 70-80, 52, 53, 65, 69;
340/635, 636, 636.2, 359.11, 636.1,
340/686.19, 945; 324/426, 427, 428, 429,
324/430, 431, 432, 433, 434, 435, 436,
324/437; 701/33.3, 31.4; 702/81;
705/26.9

CPC Y02E 10/72; Y02E 60/10; C02F 1/008;
C02F 2201/326; C02F 2209/001; C02F
2209/006; C02F 2209/008; C02F
2209/11; C02F 2209/02; C02F 2209/06;
C02F 2209/10; C02F 2303/14; B60P
3/36; B60P

(Continued)

(56) **References Cited**

U.S. PATENT DOCUMENTS

D629,318 S * 12/2010 Disch D10/78
9,213,332 B2 * 12/2015 Fish G05B 23/0278

(Continued)

FOREIGN PATENT DOCUMENTS

CN 304292025 * 5/2017
CN 304945125 * 7/2018

(Continued)

OTHER PUBLICATIONS

Ancel Store, FD700 All System OBD2 Scanner, Date first available Aug. 13, 2020, [online]retrieved Feb. 9, 2021, available from internet, https://www.amazon.com/ANCEL-Vehicles-Automotive-Diagnostic-Calibration/dp/B08DQV1G7S/ref=sr_1_1_sspa?dchild=1&keywords=ANCEL+FD700 (Year: 2020).*

(Continued)

Primary Examiner — Keli L Hill

Assistant Examiner — Sara S Sahneh

(57) **CLAIM**

The ornamental design for an automobile fault diagnosis instrument, as shown and described.

DESCRIPTION

FIG. 1 is a bottom, front and right side perspective view of an automobile fault diagnosis instrument showing our new design;

FIG. 2 is a top, rear and left side perspective view thereof;

FIG. 3 is a front elevational view thereof;

FIG. 4 is a rear elevational view thereof;

FIG. 5 is a left side view thereof;

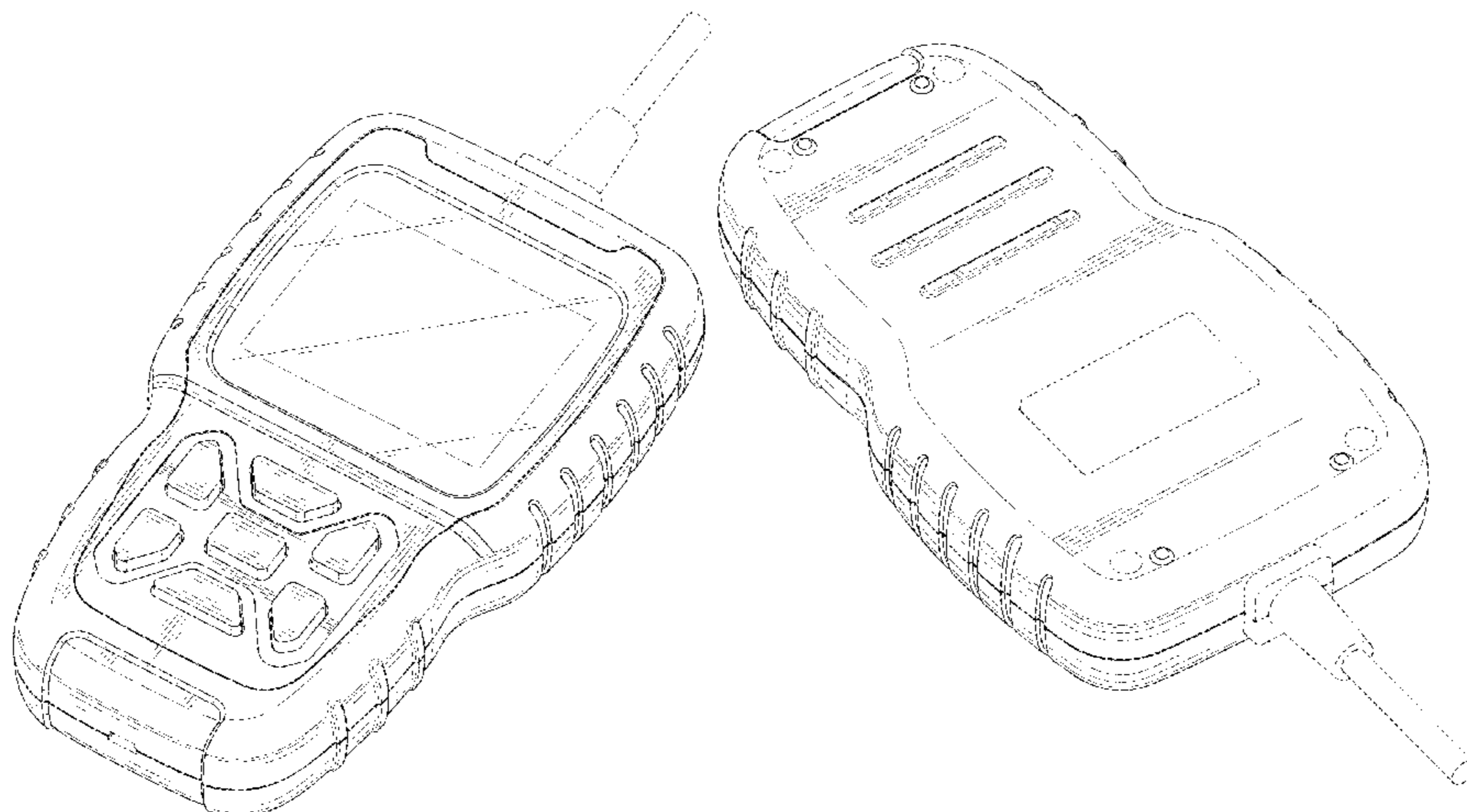
FIG. 6 is a right side view thereof;

FIG. 7 is a top plan view thereof; and,

FIG. 8 is a bottom plan view thereof.

The broken lines in the drawings illustrate portions of the automobile fault diagnosis instrument which form no part of the claimed design.

1 Claim, 8 Drawing Sheets



(58) **Field of Classification Search**

CPC 3/32; B60Q 1/00; G07C 5/0808; G07C
 5/0858; G07C 5/0883; G07C 2205/02;
 G07C 5/008; B60K 25/02; B60K
 2025/022; G01R 31/385; G01R 31/36;
 G01R 31/3689; G01R 1/04; G01R 1/20;
 G01R 1/22; G06F 7/00; G06F 19/00;
 G01J 5/0096; H01M 10/488

See application file for complete search history.

(56) **References Cited**

U.S. PATENT DOCUMENTS

D799,349 S	*	10/2017	Mathier	D10/70
D827,464 S	*	9/2018	Hao	D10/78
D838,195 S	*	1/2019	Wu	D10/78
D838,197 S	*	1/2019	Wu	D10/78
D839,112 S	*	1/2019	Xie	D10/78
D839,113 S	*	1/2019	Xie	D10/78
D839,114 S	*	1/2019	Xie	D10/78
D852,073 S	*	6/2019	Zhao	D10/78
D871,943 S	*	1/2020	Xie	D10/78
D903,515 S	*	12/2020	Zhao	D10/78
2011/0288954 A1	*	11/2011	Bertosa	G07C 5/008 705/26.9

FOREIGN PATENT DOCUMENTS

CN	305834708	*	1/2020
CN	306117404	*	6/2020
EM	006355103-0001	*	3/2019

OTHER PUBLICATIONS

Foxwell Store, NT301 OBD2 Scanner Professional Mechanic OBDII, Date first available Apr. 18, 2016, [online]retrieved Feb. 9, 2021, available from internet, https://www.amazon.com/FOXWELL-NT301-Professional-Enhanced-Diagnostic/dp/B00UJV3E12/ref=sr_1_5?dchild=1&keywo (Year: 2016).*

Autophix Store, OBD2 Scanner Enhanced OM126P, Date first available Dec. 4, 2018, [online]retrieved Feb. 9, 2021, available from internet, https://www.amazon.com/AUTOPHIX-Scanner-Enhanced-OM126P-Diagnostic/dp/B07M8B7TXD/ref=sr_1_1?dchild=1&keywords=AUTOPHIX+OM12P&qid=1612912531&sr=8-1 (Year: 2018).*

Autophix Store, OM129 OBD2 Scanner ,Date first available May 10, 2019, [online]retrieved Feb. 2, 2021, available from internet, https://www.amazon.com/AUTOPHIX-Scanner-Diagnostic-Graphing-Battery/dp/B07RTKTY82/ref=sr_1_4_sspa?dchild=1&keywords=AUTOPHIX+OM12P&qid=1612912725&sr=8-4-spons&psc=1&spLa=ZW5jcn (Year: 2019).*

* cited by examiner

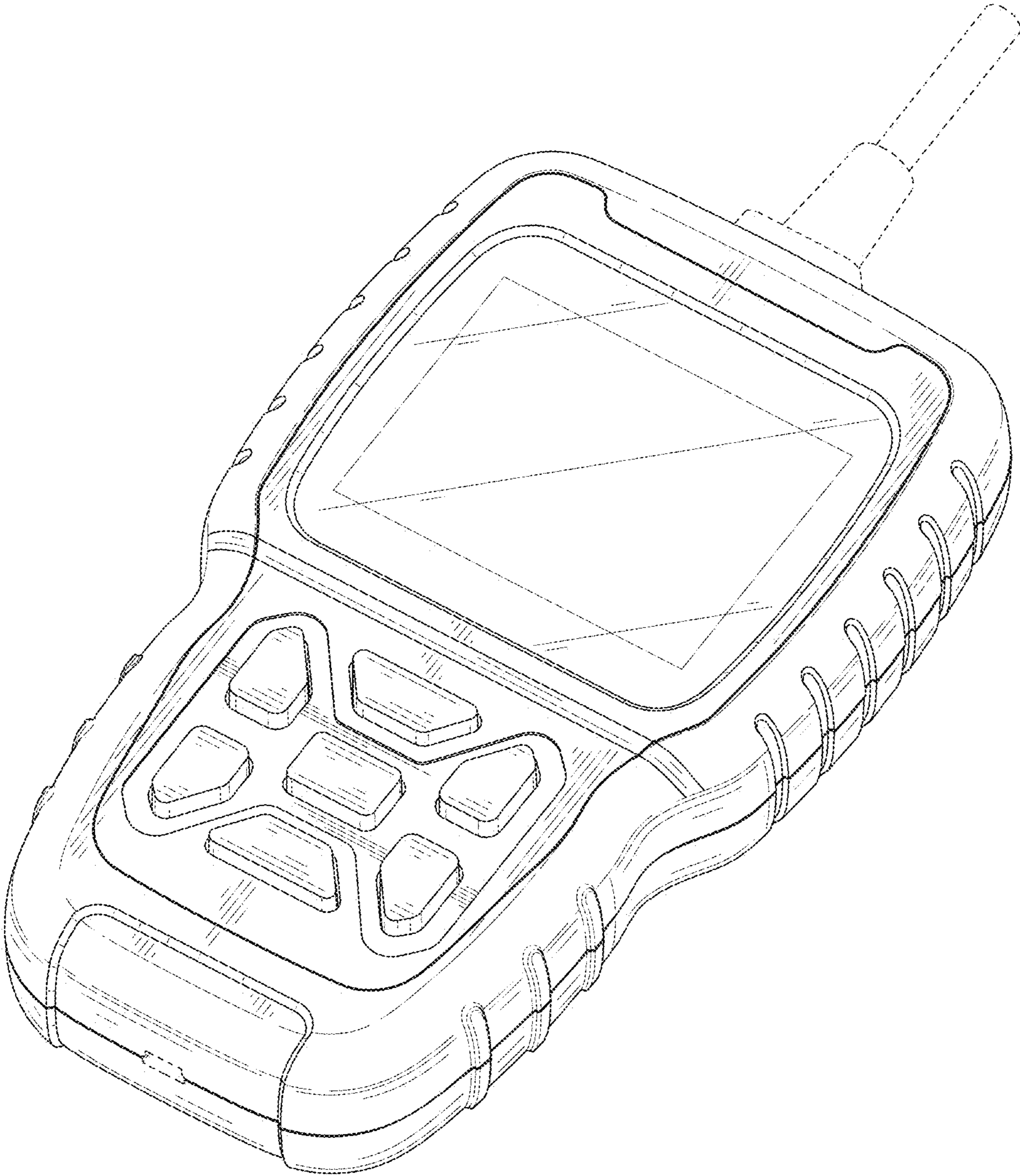


FIG. 1

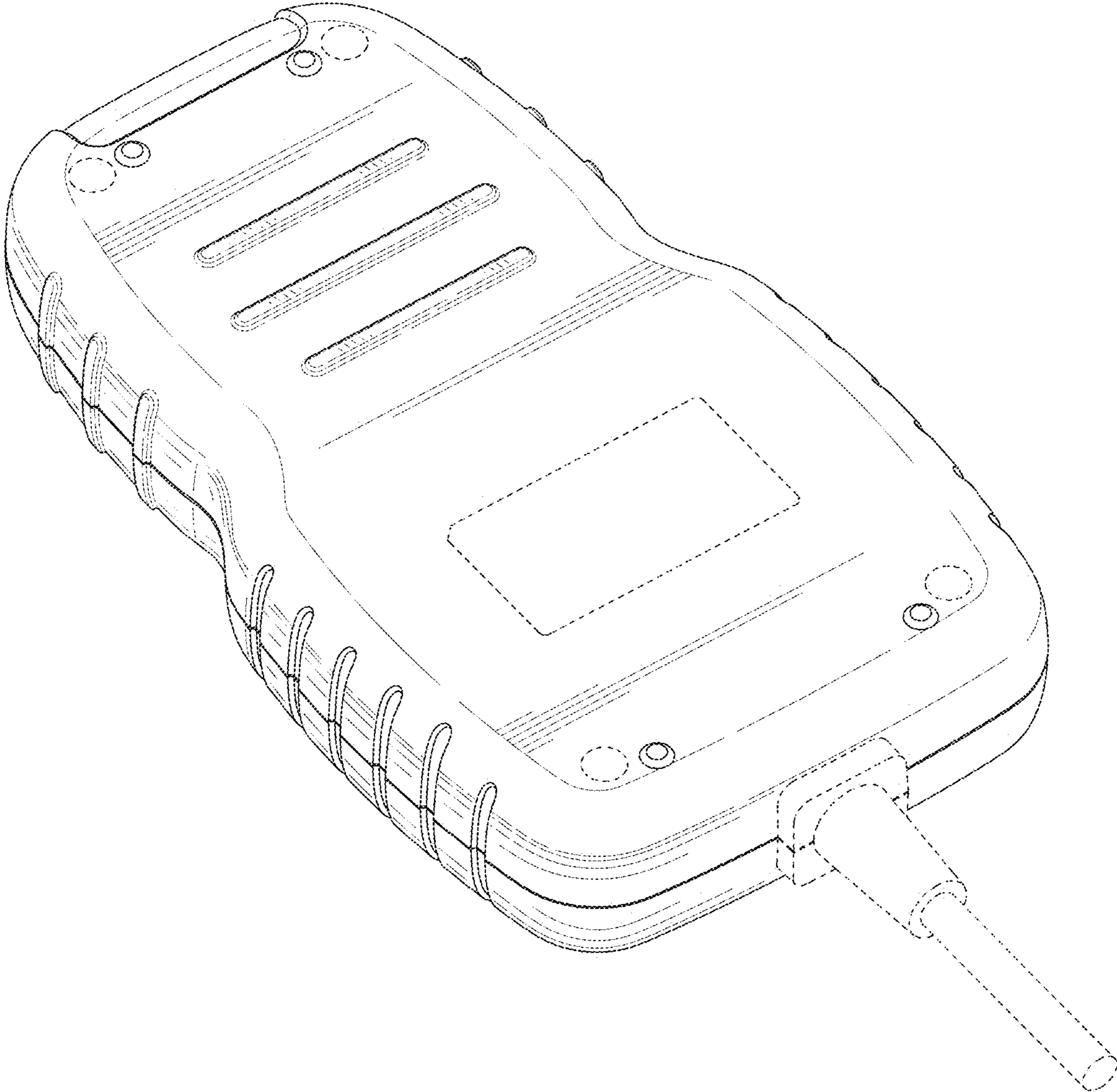


FIG. 2

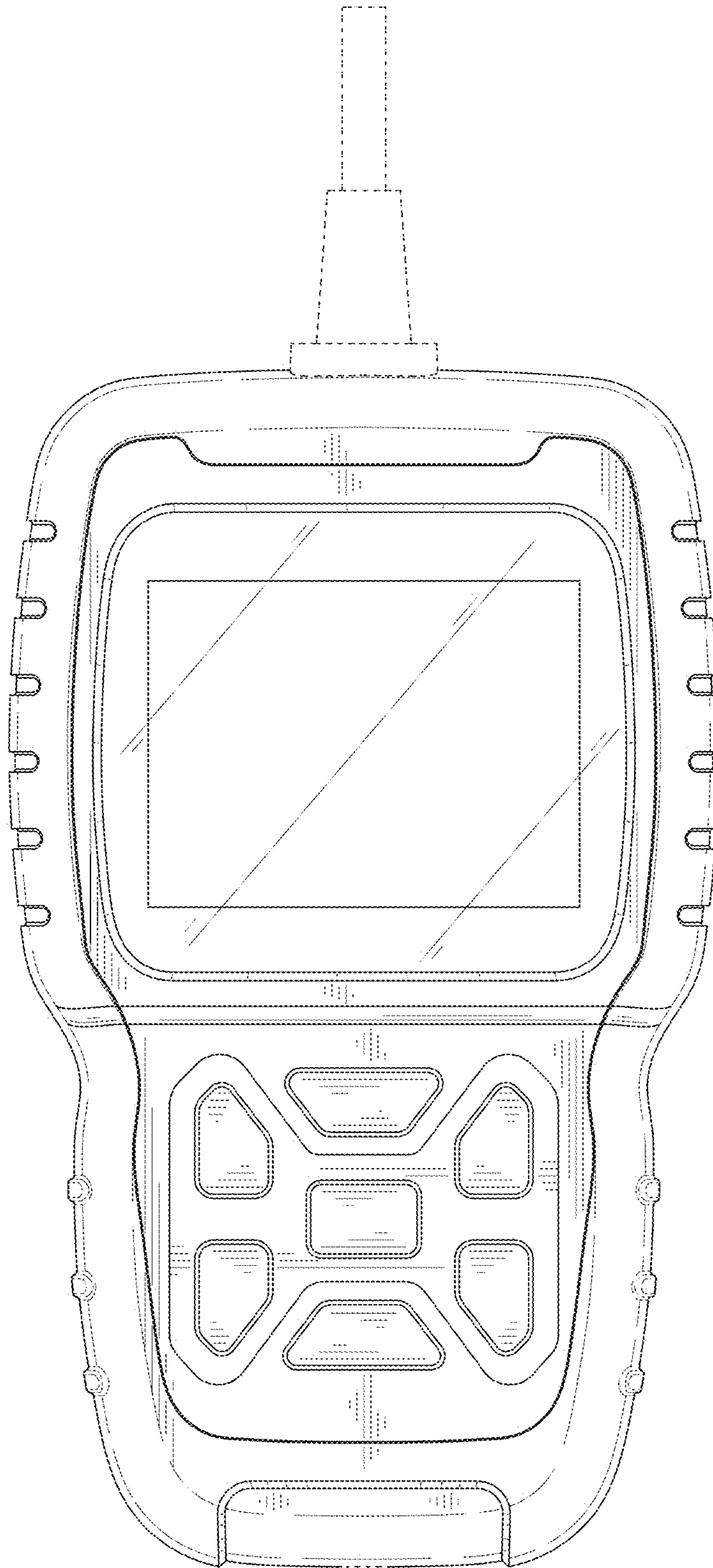


FIG. 3

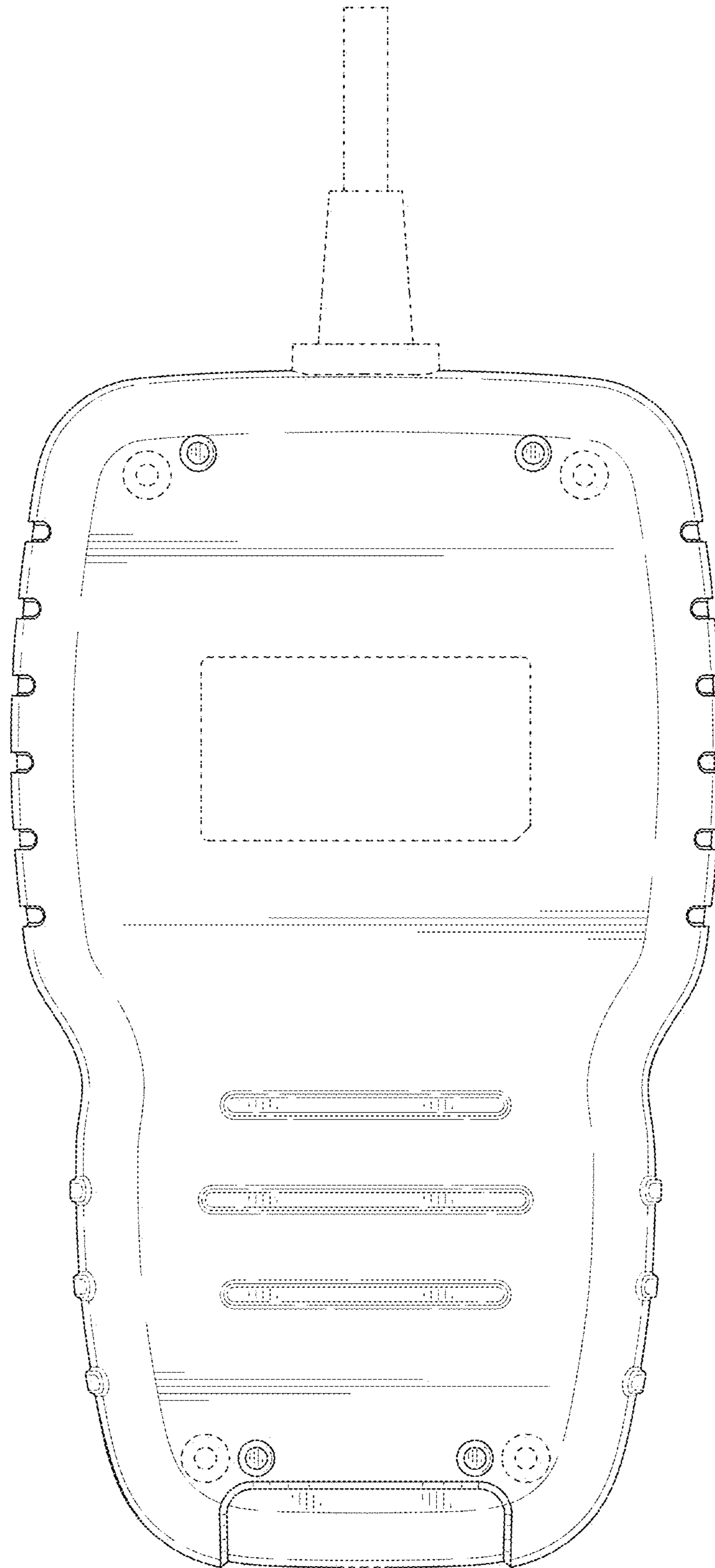


FIG. 4

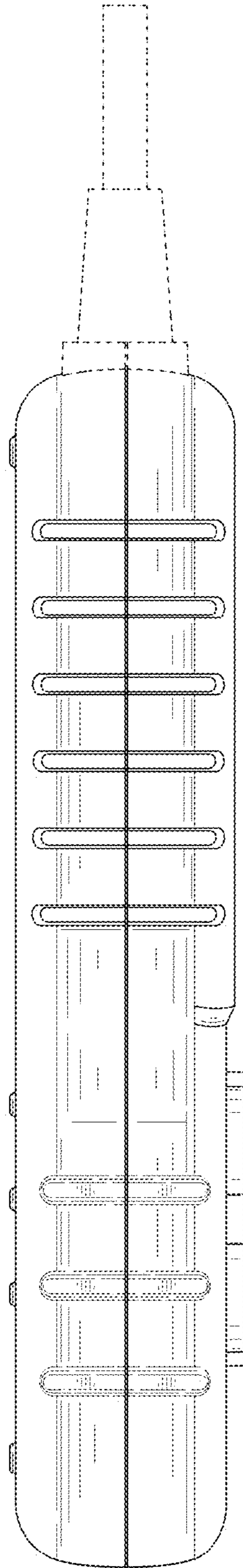


FIG. 5

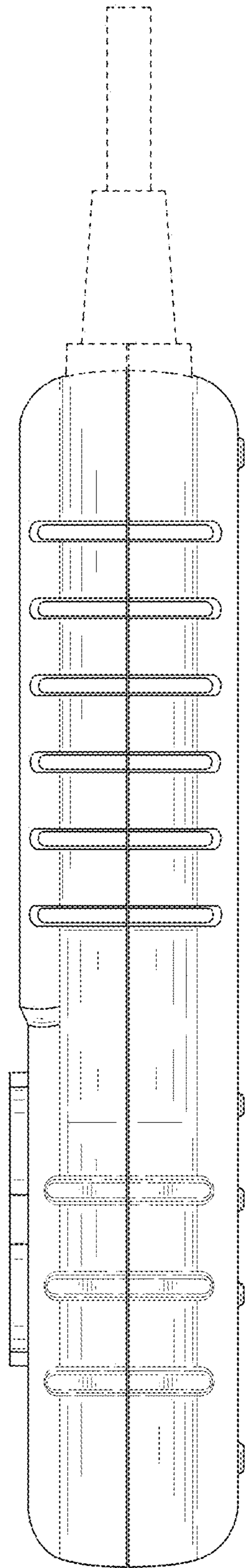


FIG. 6

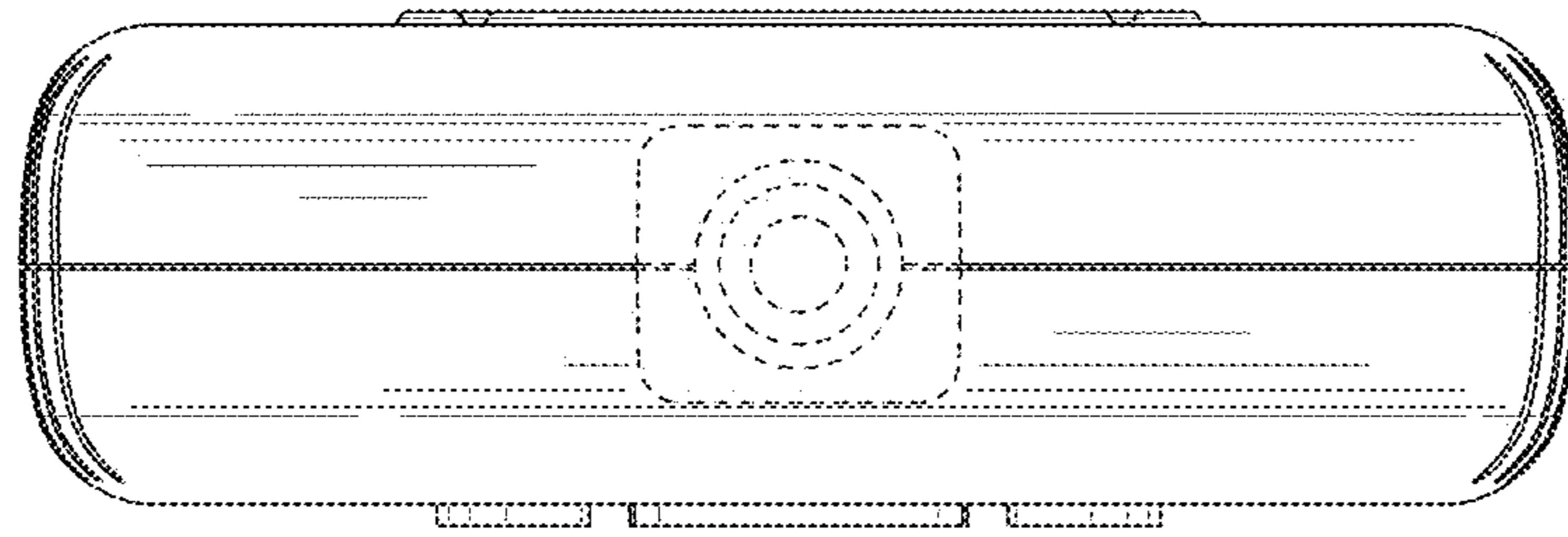


FIG. 7

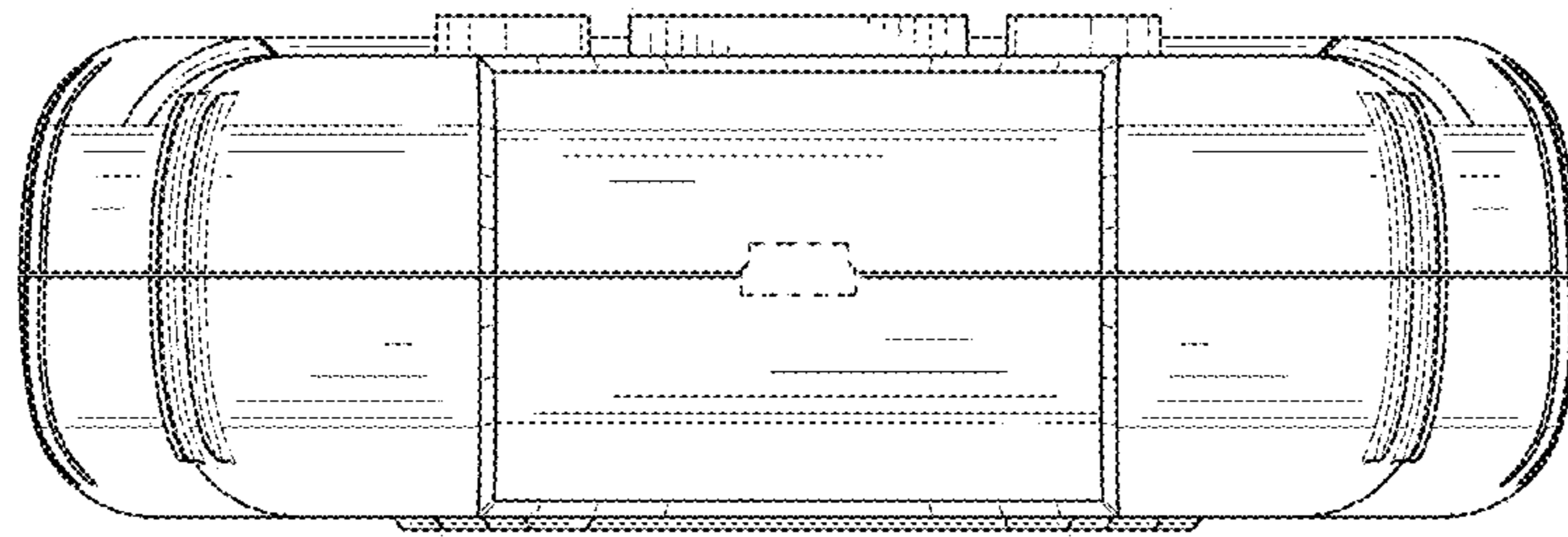


FIG. 8