



US00D918747S

(12) **United States Design Patent**
Thun et al.

(10) **Patent No.:** **US D918,747 S**
(45) **Date of Patent:** **** May 11, 2021**

(54) **TEMPERATURE SENSOR**

FOREIGN PATENT DOCUMENTS

(71) Applicant: **Zwilling J.A. Henckels AG**, Solingen (DE)

CN 305268958 * 7/2019

* cited by examiner

(72) Inventors: **Matteo Thun**, Mailand (IT); **Antonio Rodriguez**, Mailand (IT)

Primary Examiner — Leanne Was-Englehart

(73) Assignee: **Zwilling J.A. Henckels AG**, Solingen (DE)

(74) *Attorney, Agent, or Firm* — Gregory L. Mayback; Dickinson Wright PLLC

(**) Term: **15 Years**

(21) Appl. No.: **29/705,210**

(57) **CLAIM**

(22) Filed: **Sep. 10, 2019**

The ornamental design for a temperature sensor, as shown and described.

(30) **Foreign Application Priority Data**

Feb. 4, 2019 (EM) 006156014-0002

(51) **LOC (13) Cl.** **10-05**

(52) **U.S. Cl.**
USPC **D10/57**

(58) **Field of Classification Search**
USPC D10/57, 59; D15/79-91
CPC A47J 36/2405; G01K 1/02; G01K 1/022;
G01K 1/024; G01K 1/08; G01K 1/083;
G01K 1/086
See application file for complete search history.

DESCRIPTION

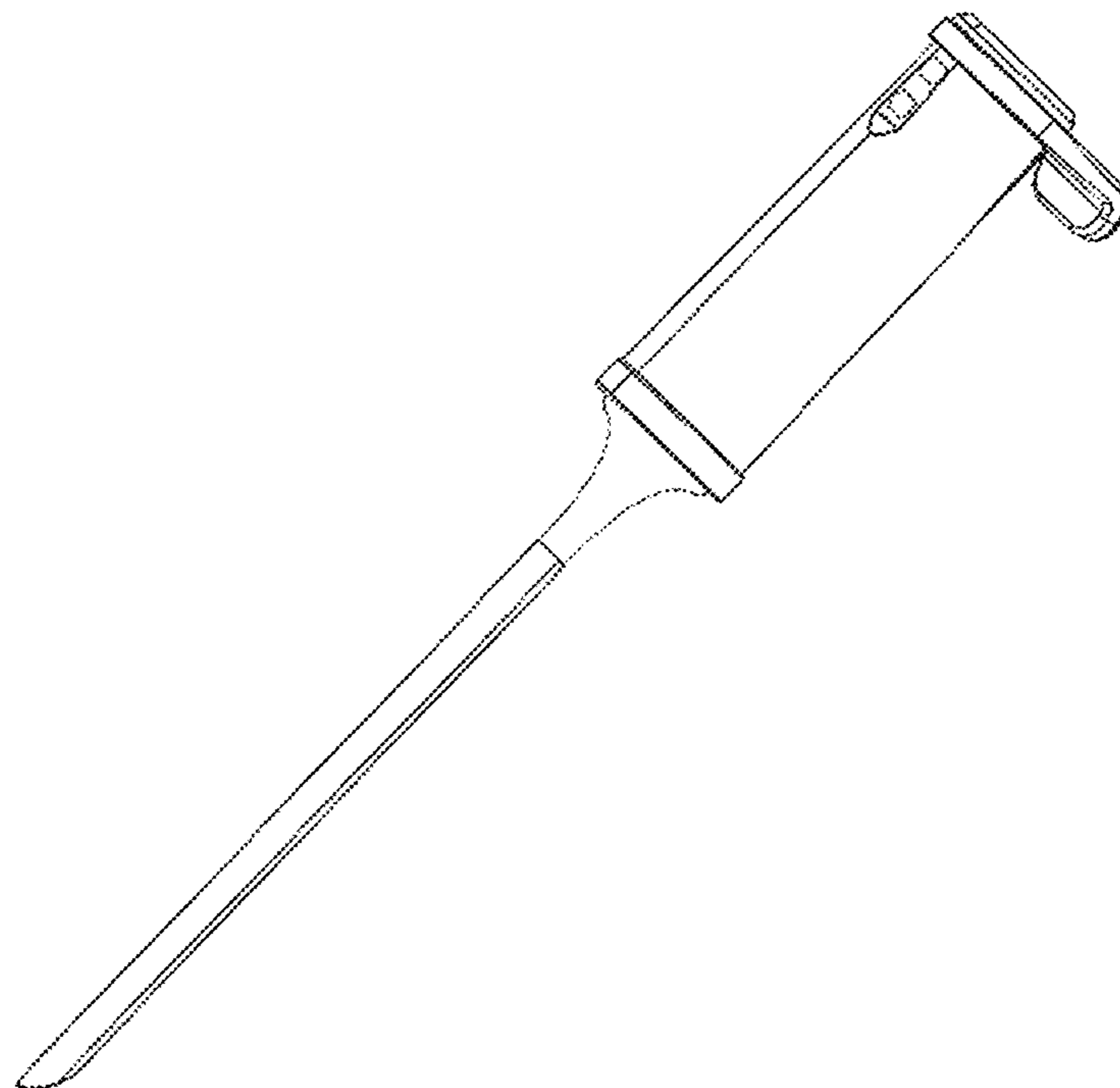
FIG. 1 is a side perspective view of a temperature sensor showing our new design;
FIG. 2 is a front elevation view thereof;
FIG. 3 is a back elevation view thereof;
FIG. 4 is a right side elevation view thereof;
FIG. 5 is a left side elevation view thereof;
FIG. 6 is top plan view thereof; and,
FIG. 7 is a bottom plan view thereof.
The broken lines depict portions of the temperature sensor that form no part of the claimed design.

(56) **References Cited**

U.S. PATENT DOCUMENTS

D795,096 S * 8/2017 Alla D10/57
D795,102 S * 8/2017 Alla D10/57
D795,103 S * 8/2017 Alla D10/57
D856,170 S * 8/2019 Aidehag D10/57

1 Claim, 3 Drawing Sheets



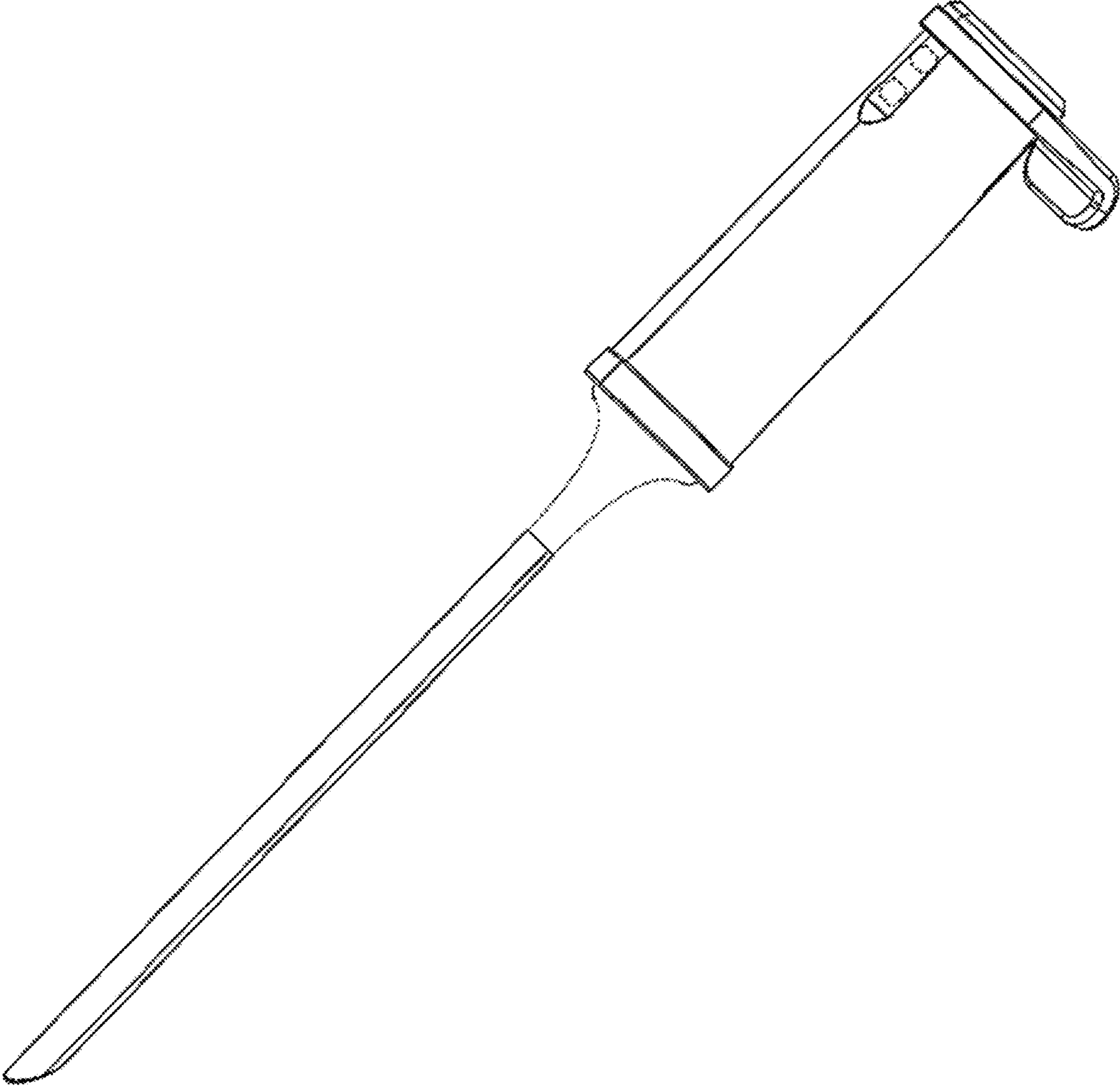


FIG. 1

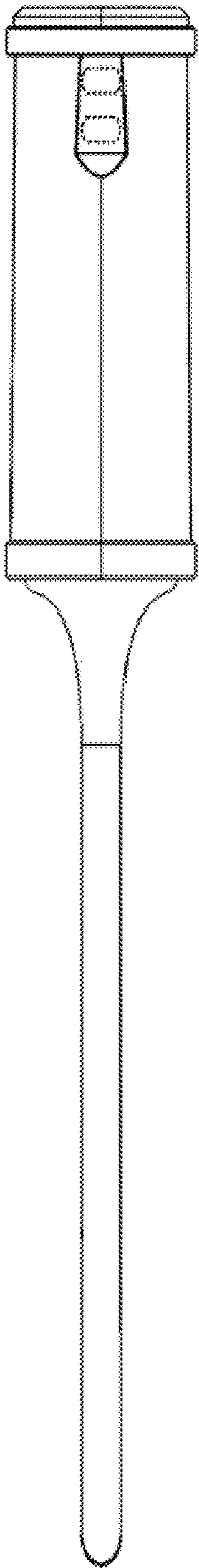


FIG. 2

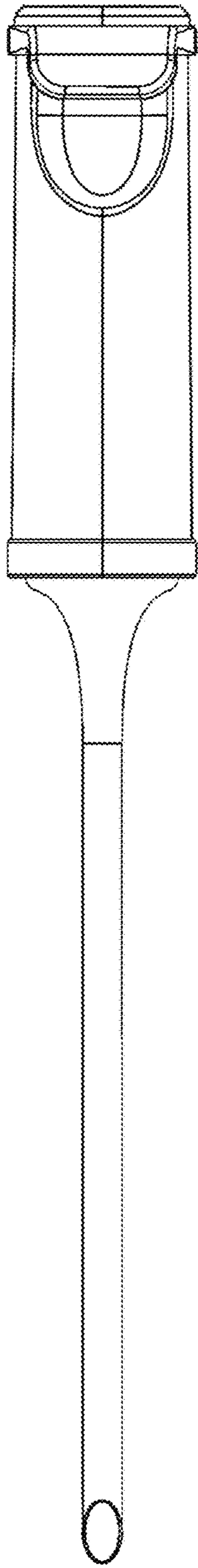


FIG. 3

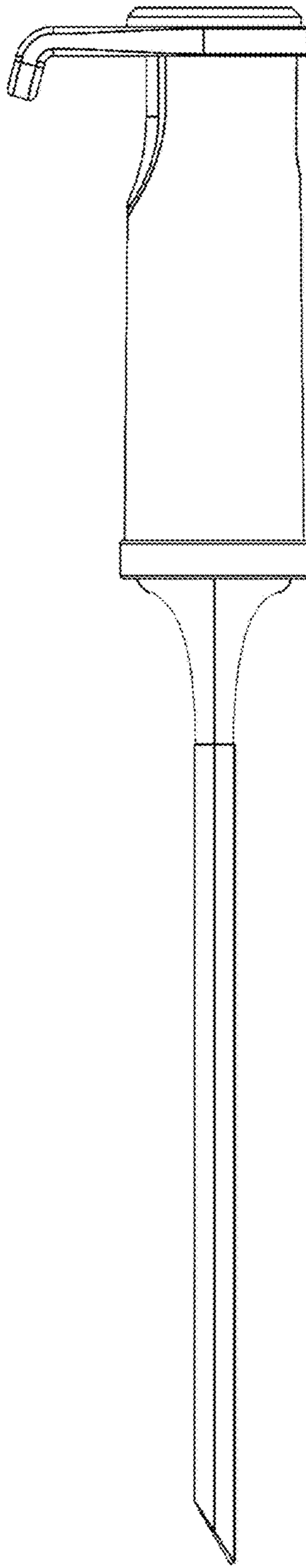


FIG. 4

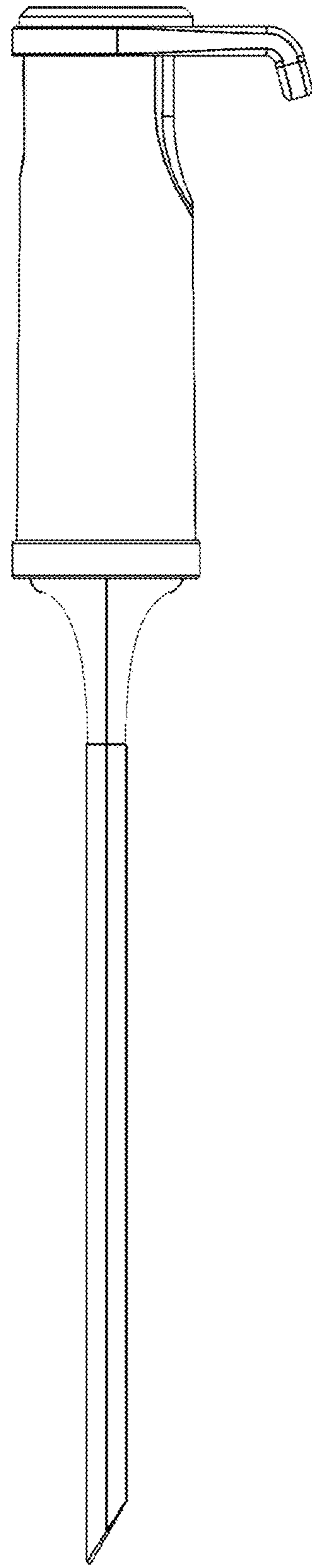


FIG. 5

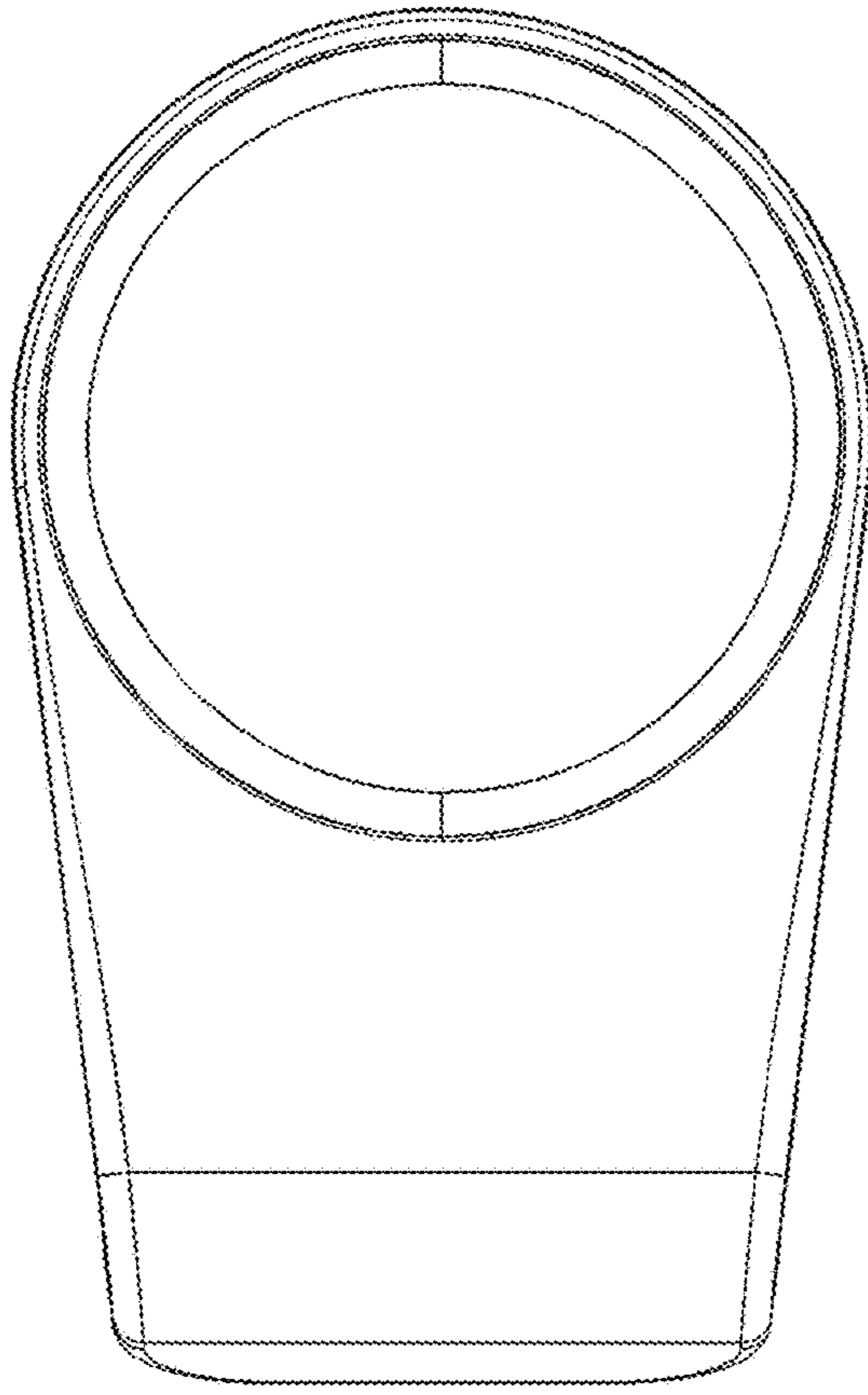


FIG. 6

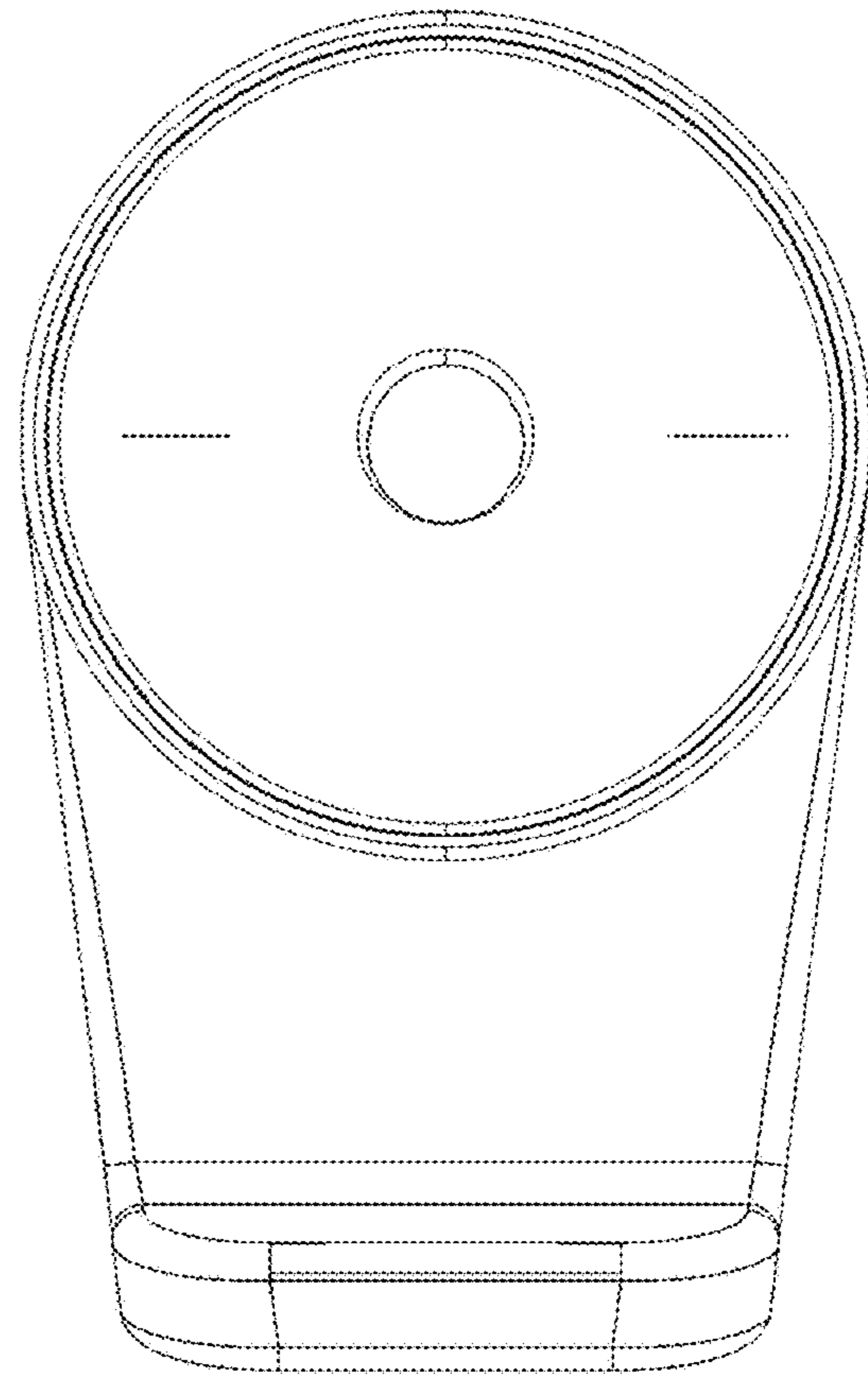


FIG. 7