



US00D918742S

(12) **United States Design Patent** (10) **Patent No.:** **US D918,742 S**  
**Feng** (45) **Date of Patent:** **\*\* May 11, 2021**

(54) **CLOCK WITH FAIRY TALE SUMMER NIGHT FIREFLY LIGHT**

(71) Applicant: **Shenzhen Great Power Innovation and Technology Enterprise Co., Ltd.**, Shenzhen (CN)

(72) Inventor: **Winston Feng**, Shenzhen (CN)

(73) Assignee: **Shenzhen Great Power Innovation and Technology Enterprise Co., Ltd.**

(\*\*) Term: **15 Years**

(21) Appl. No.: **29/714,352**

(22) Filed: **Nov. 22, 2019**

(51) **LOC (13) Cl.** ..... **10-01**

(52) **U.S. Cl.**  
USPC ..... **D10/6; D26/41; D26/54**

(58) **Field of Classification Search**  
USPC .... D10/1-2, 5-7, 10, 14-15, 19, 22, 28-29, D10/40-41, 52, 54, 57; D14/170-171, D14/172, 204, 207, 209.1, 216, 224.1, D14/265; D26/26, 37, 38, 40, 47, 51, 52, D26/54, 57, 94  
CPC ..... G04C 19/00; G04C 19/02; G04C 21/04; G04C 21/06; G04C 23/00; G04C 23/02; G04C 23/08; G04C 17/00; G04C 17/0058; G04G 17/005; G04G 17/00; G04G 17/05; G04G 17/08; G04G 17/086; G04G 13/00; G04G 13/02; G04G 13/021; G04G 13/025; G04G 21/08; G04B 47/00; G04B 47/04; G04B 47/048

See application file for complete search history.

(56) **References Cited**

**U.S. PATENT DOCUMENTS**

D60,273 S \* 1/1922 Smith ..... D10/6  
D274,191 S \* 6/1984 Aoijs ..... D10/15

D580,074 S \* 11/2008 Taylor ..... D11/117  
D582,887 S \* 12/2008 Poandl ..... D14/172  
D622,260 S \* 8/2010 Poandl ..... D14/171  
D769,758 S \* 10/2016 Feng ..... D10/118  
D780,151 S \* 2/2017 Jeon ..... D14/171  
D808,927 S \* 1/2018 Schaal ..... D14/216  
D821,359 S \* 6/2018 Tong ..... D14/216  
D835,600 S \* 12/2018 Weiss ..... D14/204  
D842,104 S \* 3/2019 Ke ..... D9/436  
D844,875 S \* 4/2019 Jeon ..... D26/51  
D858,497 S \* 9/2019 Laurans ..... D14/240  
D868,739 S \* 12/2019 Ryu ..... D14/216  
10,652,642 B1 \* 5/2020 Rakusin ..... G02B 19/0009

(Continued)

**OTHER PUBLICATIONS**

Philyra Fairytale Summer Night Firefly Light Bluetooth Speaker | fccid.io.com; date submitted Jul. 30, 2020 [online]. © FCCID.io 2020 [retrieved Dec. 17, 2020] from Internet: <https://fccid.io/ZY9-A20030/Users-Manual/User-manual-4832946> (Year: 2020).\*

(Continued)

*Primary Examiner* — Sandra Snapp  
*Assistant Examiner* — Katherine Glennon

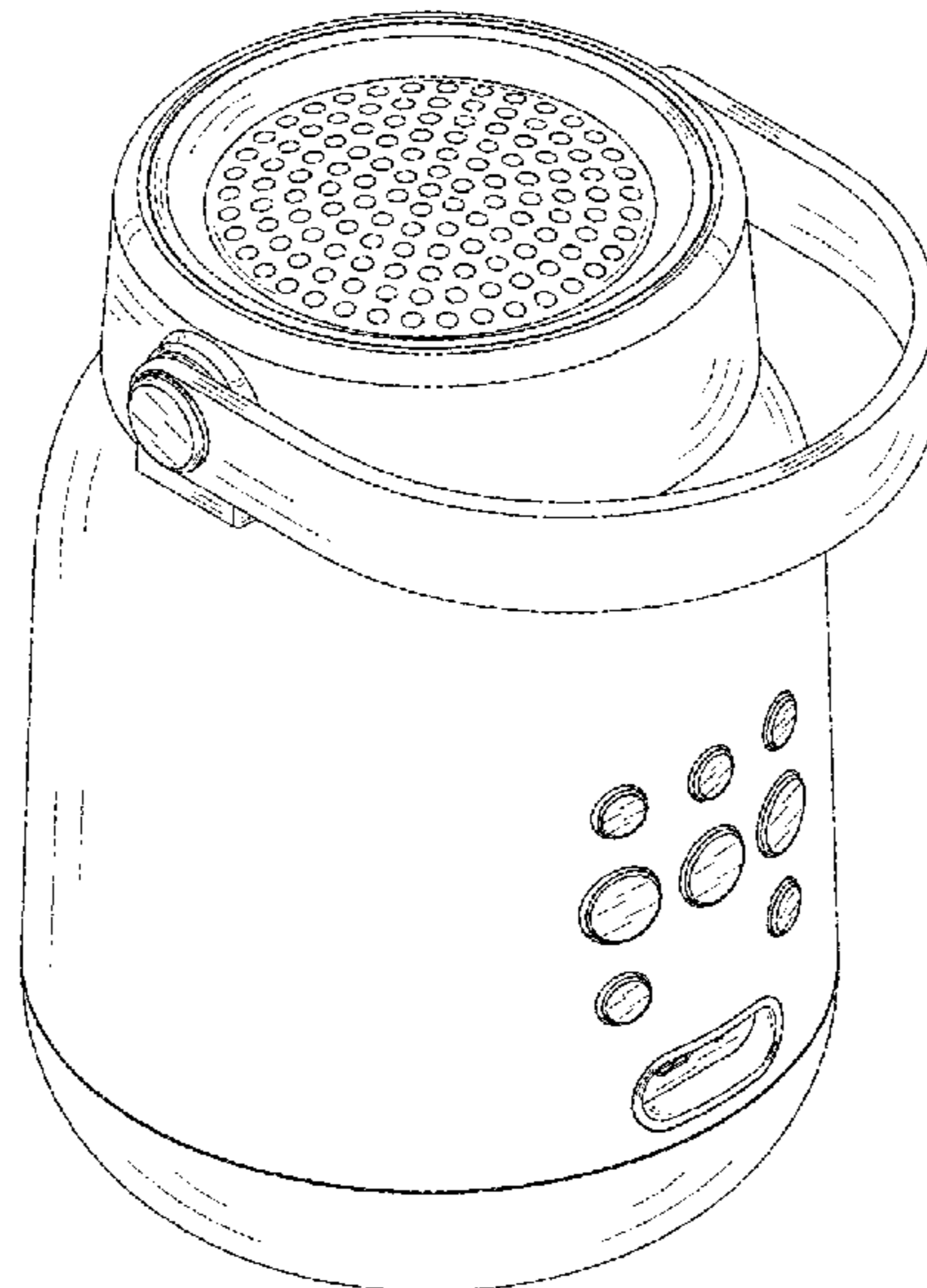
(57) **CLAIM**

The ornamental design for a clock with fairy tale summer night firefly light, as shown and described.

**DESCRIPTION**

FIG. 1 is a front view of a clock with fairy tale summer night firefly light, showing my new design;  
FIG. 2 is a back view thereof;  
FIG. 3 is a left side view thereof;  
FIG. 4 is a right side view thereof;  
FIG. 5 is a top view thereof;  
FIG. 6 is a bottom view thereof;  
FIG. 7 is a perspective view thereof; and,  
FIG. 8 is another perspective view thereof.

**1 Claim, 8 Drawing Sheets**



(56)

**References Cited**

U.S. PATENT DOCUMENTS

D885,837 S \* 6/2020 Bo ..... D7/510  
D887,390 S \* 6/2020 Weiss ..... D14/204  
D893,457 S \* 8/2020 Wei ..... D14/216  
D900,788 S \* 11/2020 Wang ..... D14/216  
D902,883 S \* 11/2020 Simonelli ..... D14/204  
D905,049 S \* 12/2020 Lu ..... D14/314

OTHER PUBLICATIONS

Mooni Koble Speaker Color Changing LED Lantern | amazon.com; date first avail Aug. 2020 [online]. © 1996-2020, Amazon.com, Inc [retrieved Dec. 17, 2020] from Internet: <<https://www.amazon.com/Mooni-Designed-Speaker-Changing-Bluetooth/dp/B07WTXVDDK>> (Year: 2020).\*

Portable LED Speaker Lantern | posted at food52.com, no posting date [online]. © 2020 Food52 [retrieved Dec. 17, 2020] from Internet: <<https://food52.com/shop/products/7667-ava-portable-led-speaker-lantern>> (Year: 2020).\*

Speakers BO Ruark Left, Sonoro | amara.com no posting date [online]. © [retrieved Dec. 17, 2020] from Internet: <<https://www.amara.com/us/shop/stereos-speakers/perPage/192>> (Year: 2020).\*

\* cited by examiner

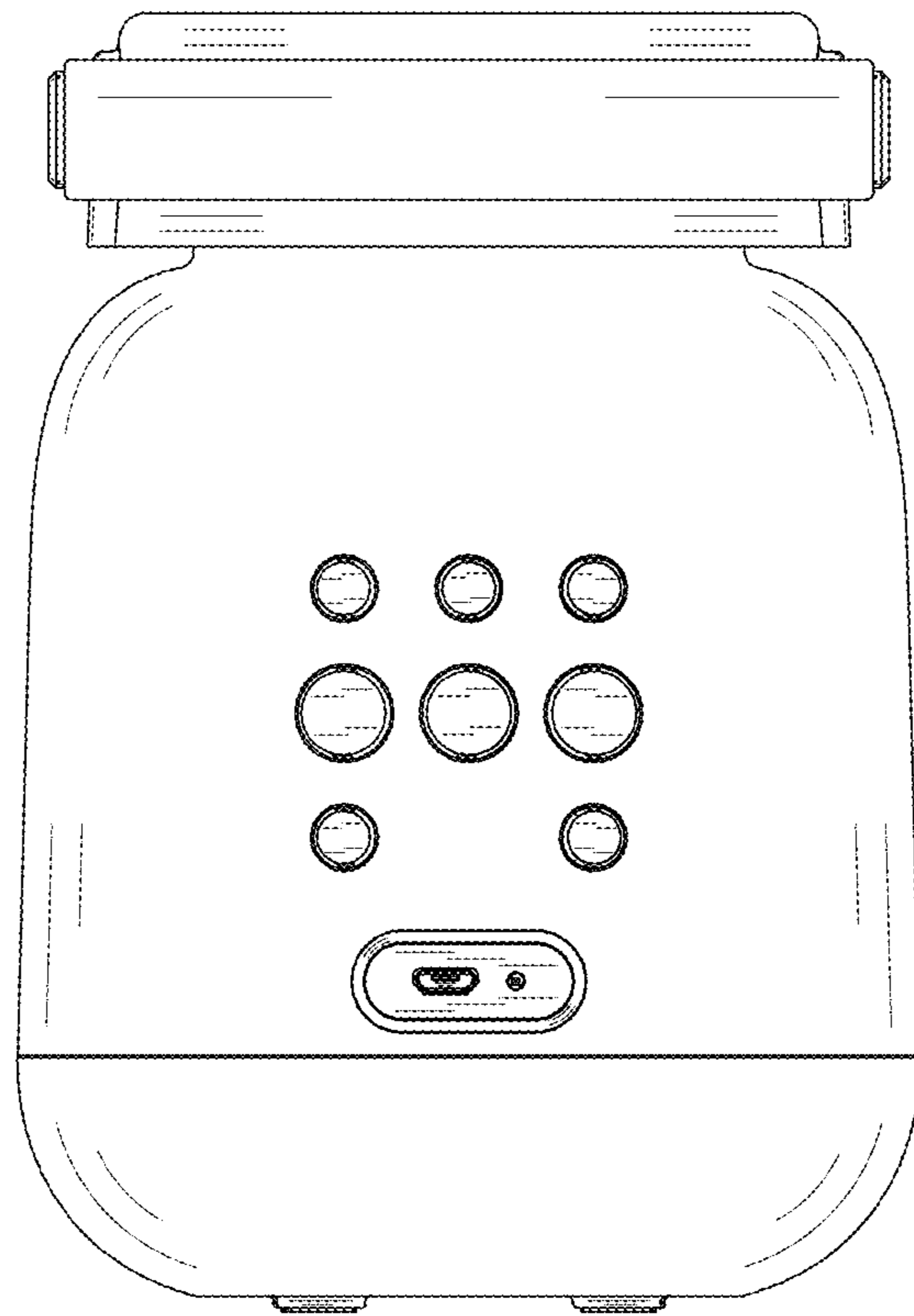


FIG. 1

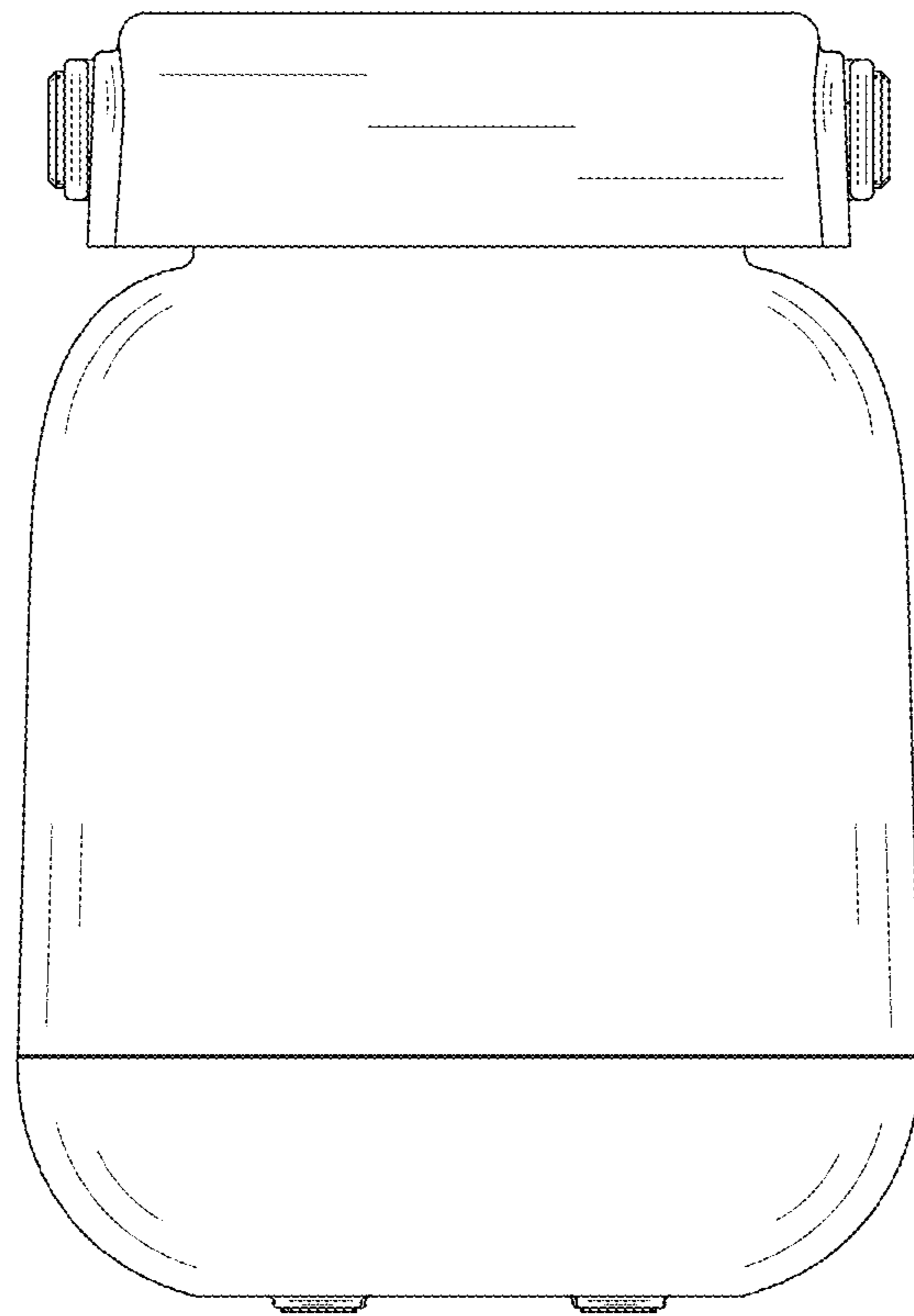


FIG. 2

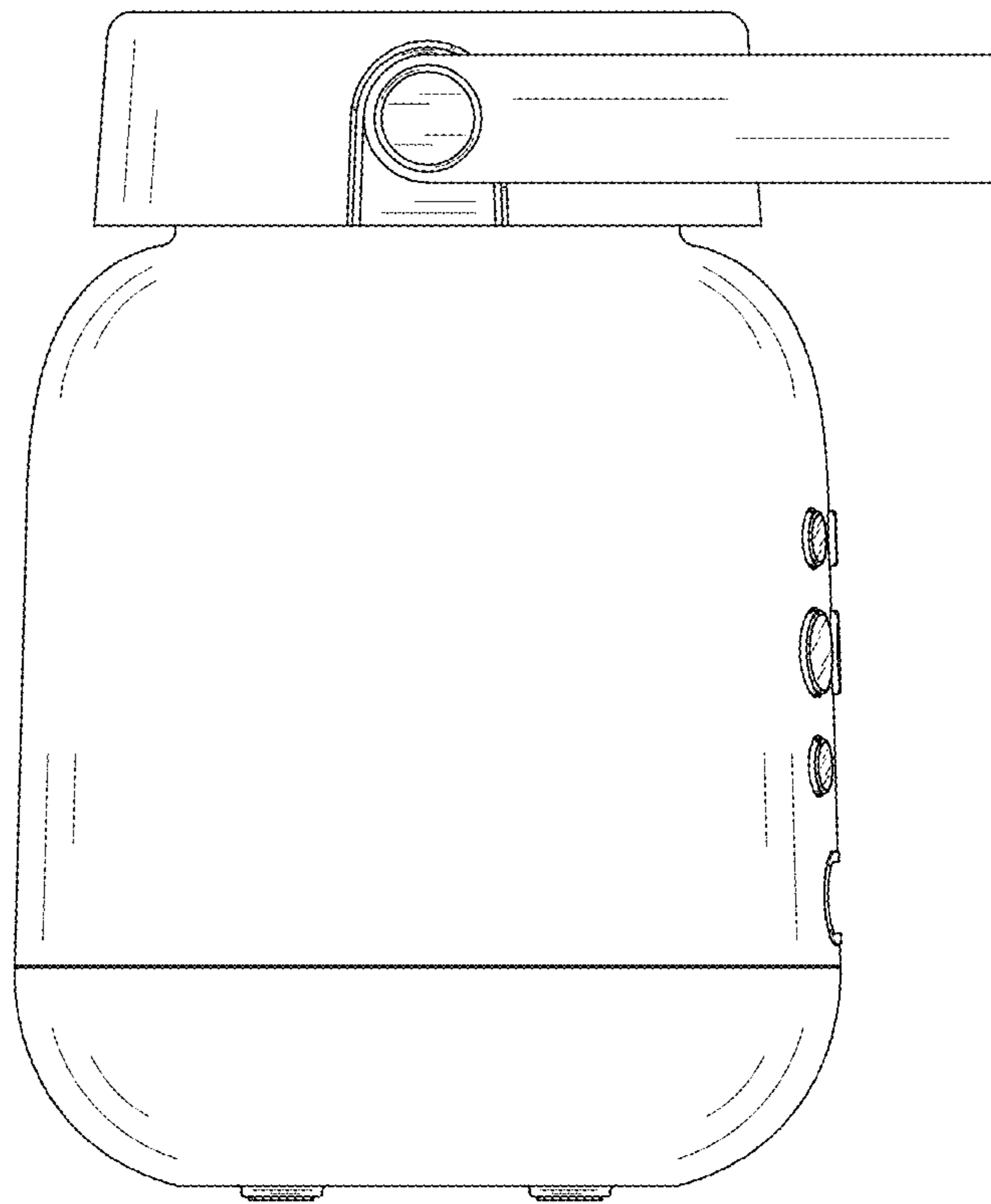


FIG. 3

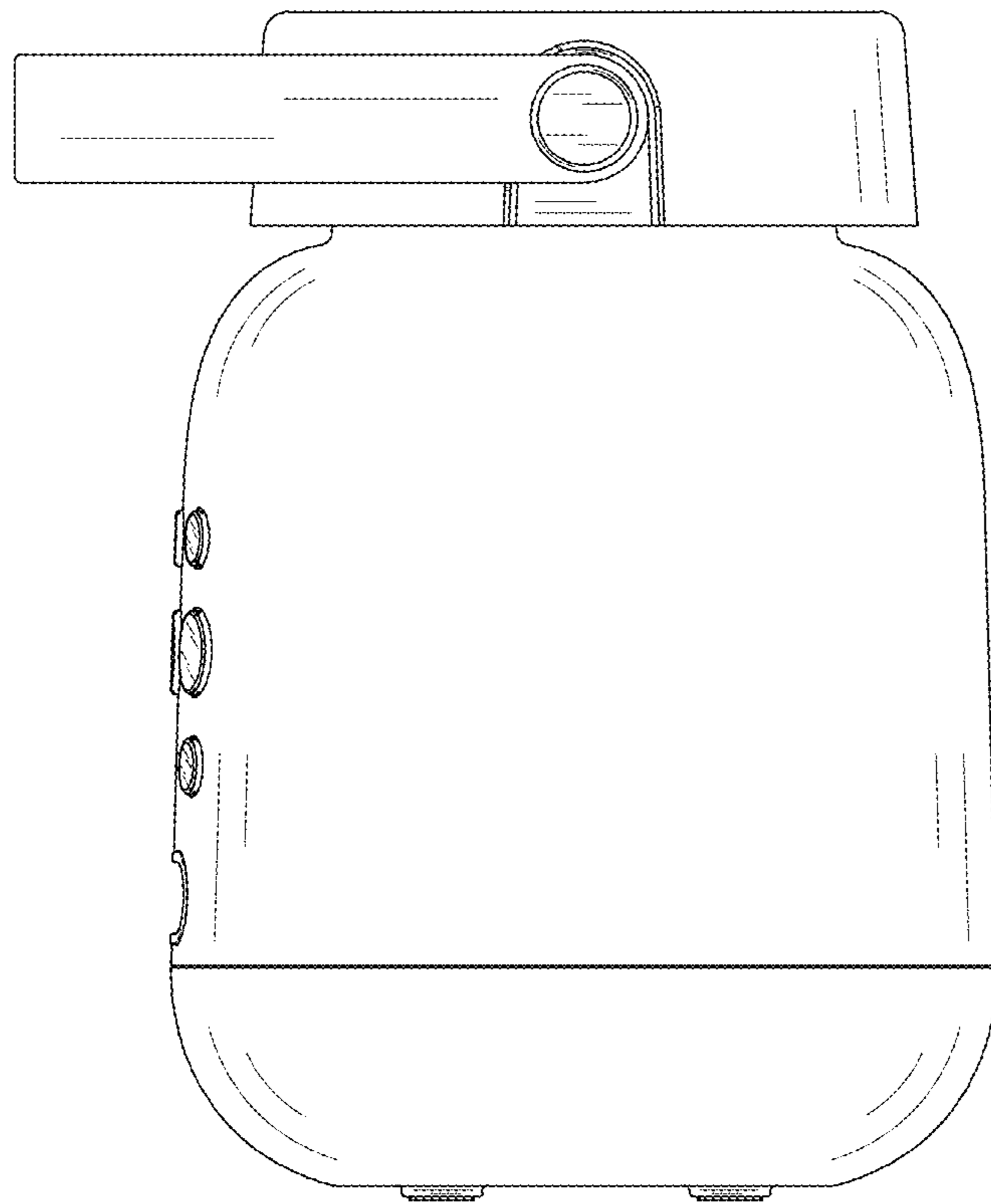


FIG. 4

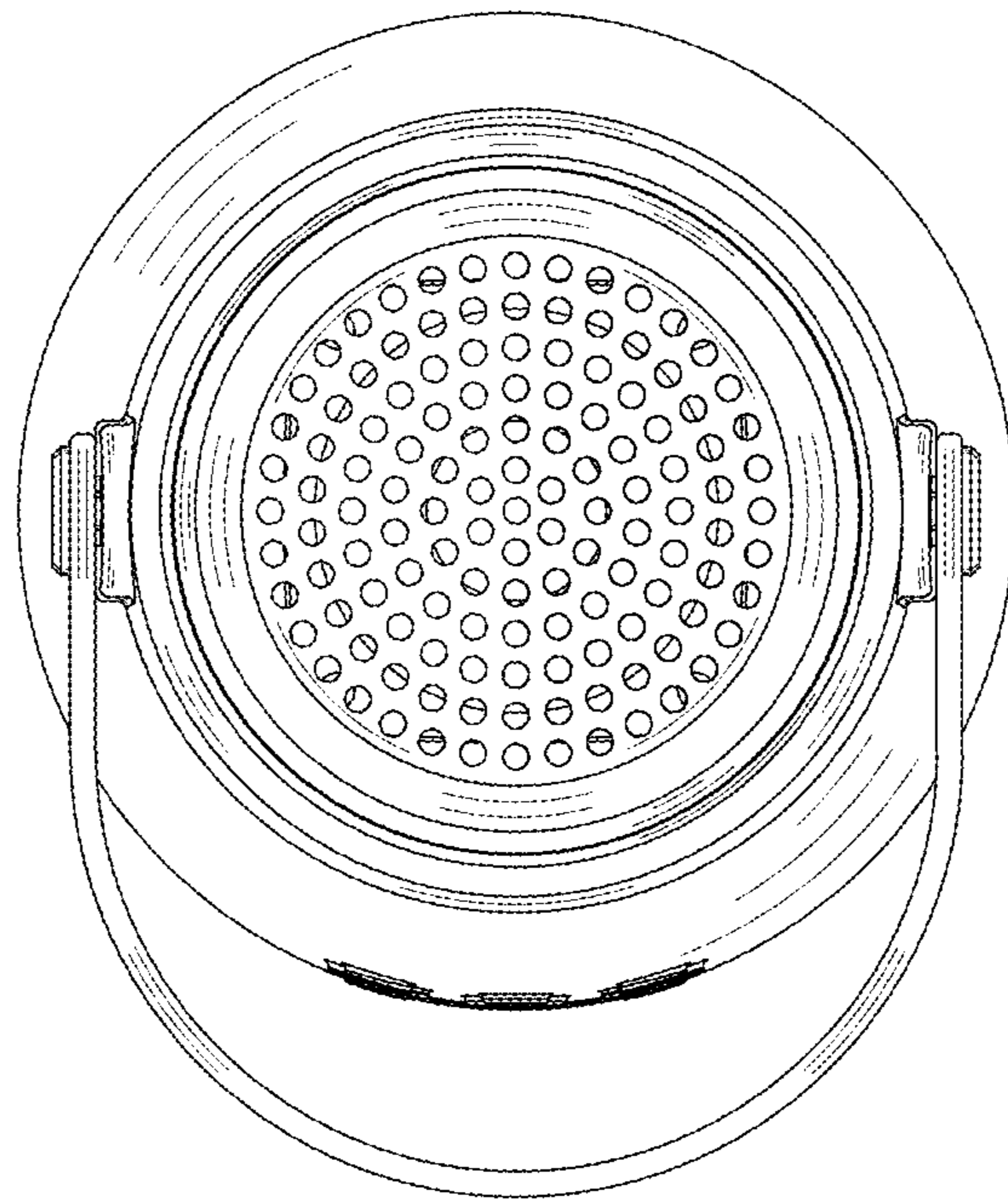


FIG. 5

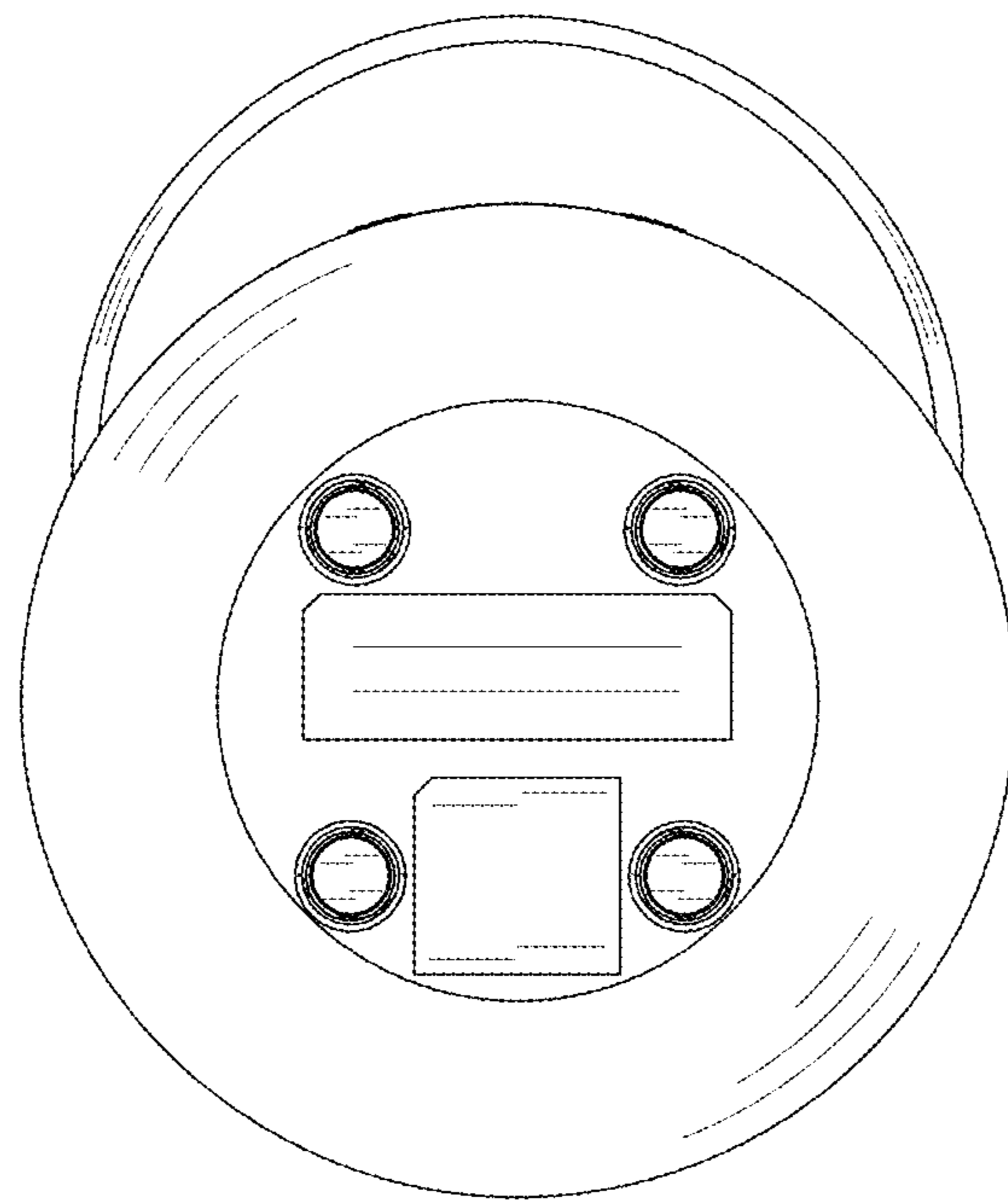


FIG. 6



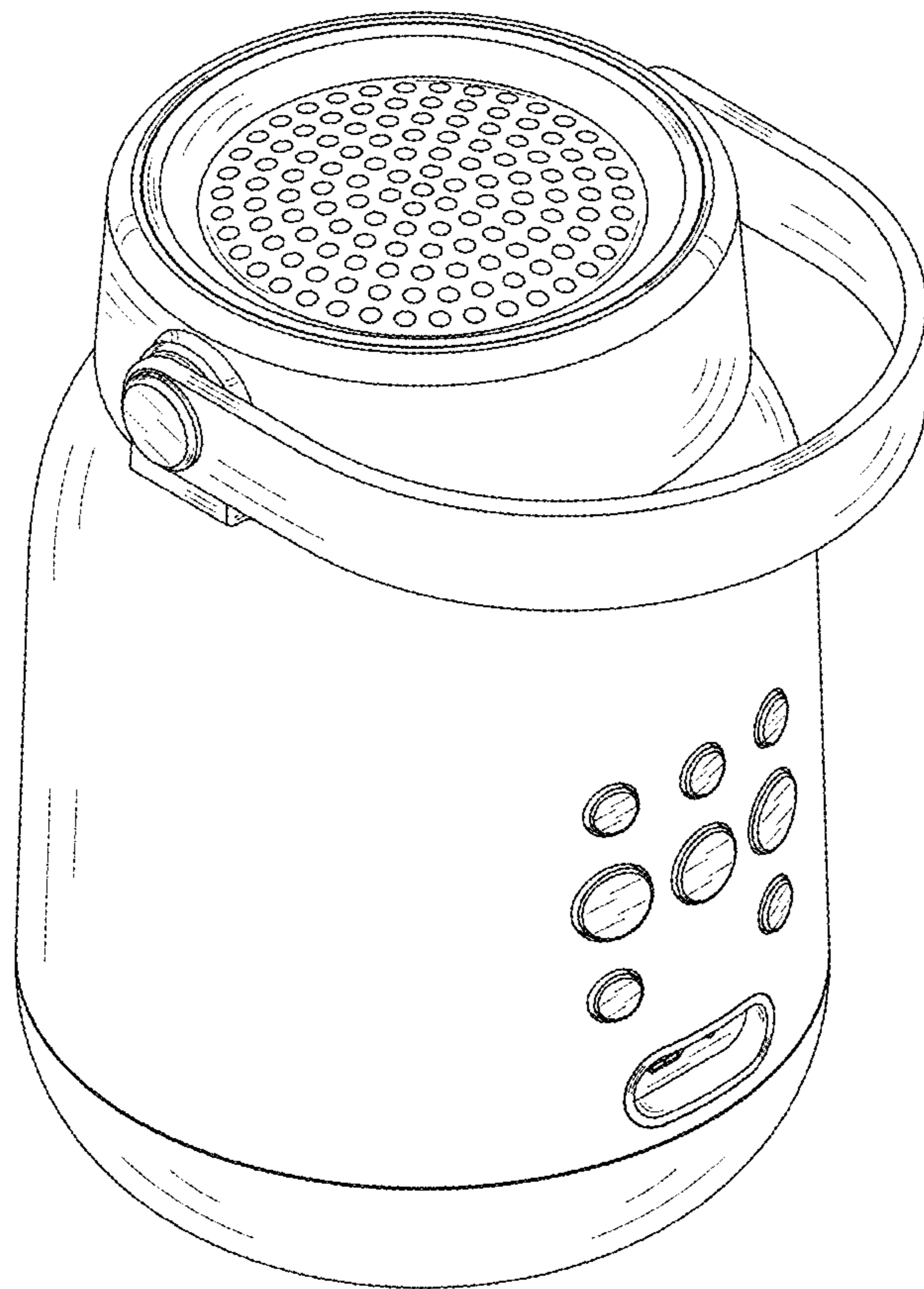


FIG. 7

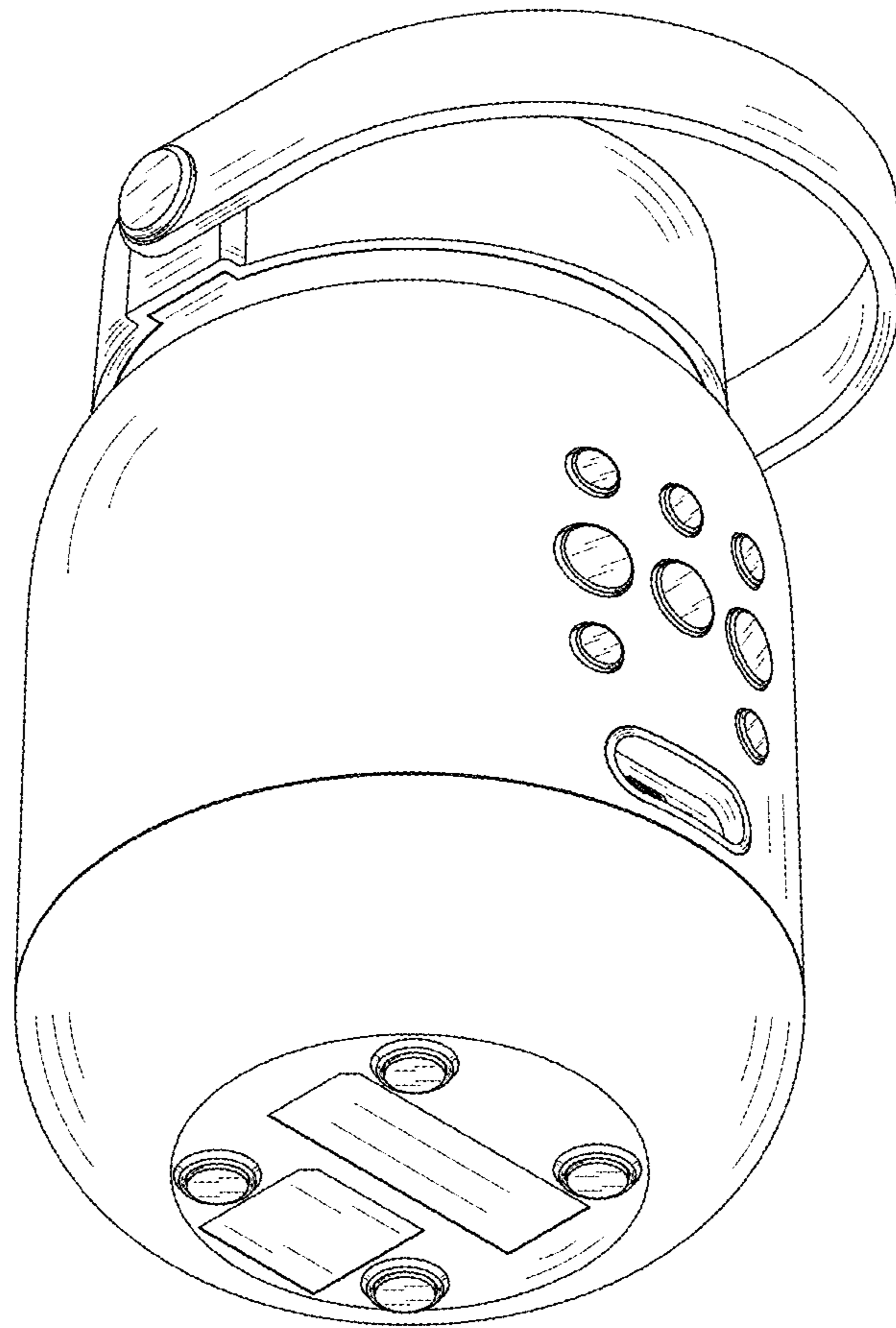


FIG. 8