



US00D918741S

(12) **United States Design Patent**
Laflamme

(10) **Patent No.:** **US D918,741 S**

(45) **Date of Patent:** **** May 11, 2021**

(54) **EGG CARTON**

(71) Applicant: **Consider Provisions, LLC**, Monroe, NH (US)

(72) Inventor: **Jesse Laflamme**, Hanover, NH (US)

(73) Assignee: **Consider Provisions, LLC**, Monroe, NH (US)

(**) Term: **15 Years**

(21) Appl. No.: **29/732,048**

(22) Filed: **Apr. 21, 2020**

(51) **LOC (13) Cl.** **09-03**

(52) **U.S. Cl.**
USPC **D9/762**; D9/421; D9/431

(58) **Field of Classification Search**
USPC D9/721, 737, 750, 756-762, 501, 414, D9/416; D7/601, 602, 611, 701, 703, D7/629, 550.1, 553.1, 553.2, 553.3, D7/554.3, 396.1; D3/201, 271.1, 273, D3/294, 295, 304, 313-315; 206/557, 206/521.15, 521.1-521.9, 586, 784, 822
CPC B65D 85/327; B65D 85/32; B65D 2571/00141; B65D 2571/00154; B65D 2571/00716; B65D 5/029; B65D 5/2047; B65D 5/48018; B65D 5/503; B65D 5/6664; B65D 71/20; B65D 71/46; B65D 5/3628; B65D 85/1048; B65D 85/325; B65D 85/324; Y10S 493/913
See application file for complete search history.

(56) **References Cited**

U.S. PATENT DOCUMENTS

1,327,946 A 1/1920 Coyle et al.
1,768,023 A * 6/1930 Benoit B65D 85/327
206/521.5
1,768,024 A 6/1930 Benoit
1,793,026 A 2/1931 Sugeran

1,880,074 A 9/1932 Coyle
1,913,441 A 6/1933 Guyer
1,923,774 A * 8/1933 Coyle B65D 85/32
229/198.1
1,937,603 A * 12/1933 Swager B65D 85/327
217/33
2,013,606 A 9/1935 Hale
2,047,495 A 7/1936 Schurmann
2,058,638 A * 10/1936 Shapiro B65D 85/327
206/521.9
2,078,430 A 4/1937 Walsh
2,134,763 A 11/1938 Lawless
(Continued)

FOREIGN PATENT DOCUMENTS

GB 501916 3/1939
GB 614218 12/1948
GB 972552 10/1964

Primary Examiner — W. A. Teddy Falloway

(74) *Attorney, Agent, or Firm* — Wolf, Greenfield & Sacks, P.C.

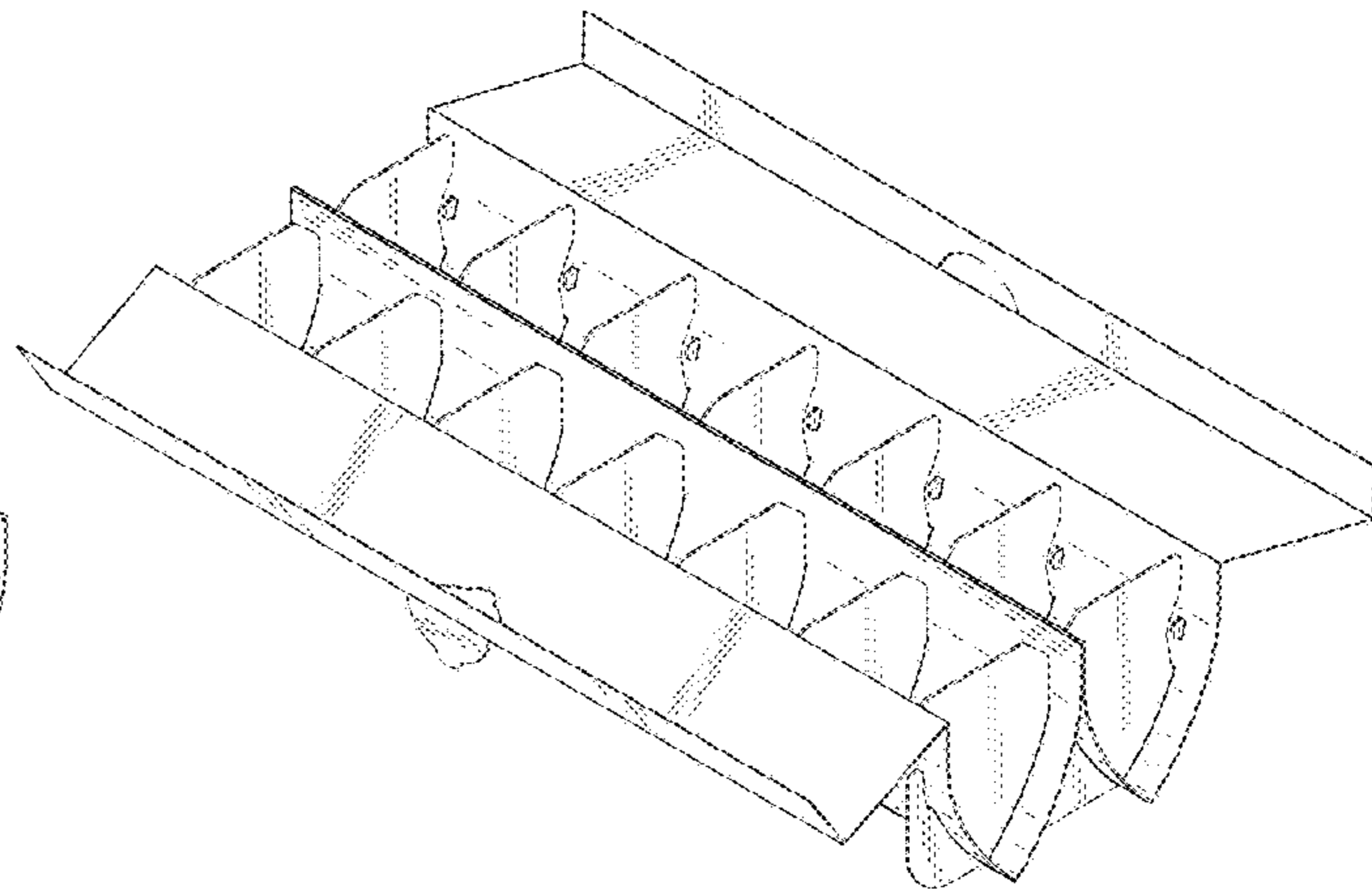
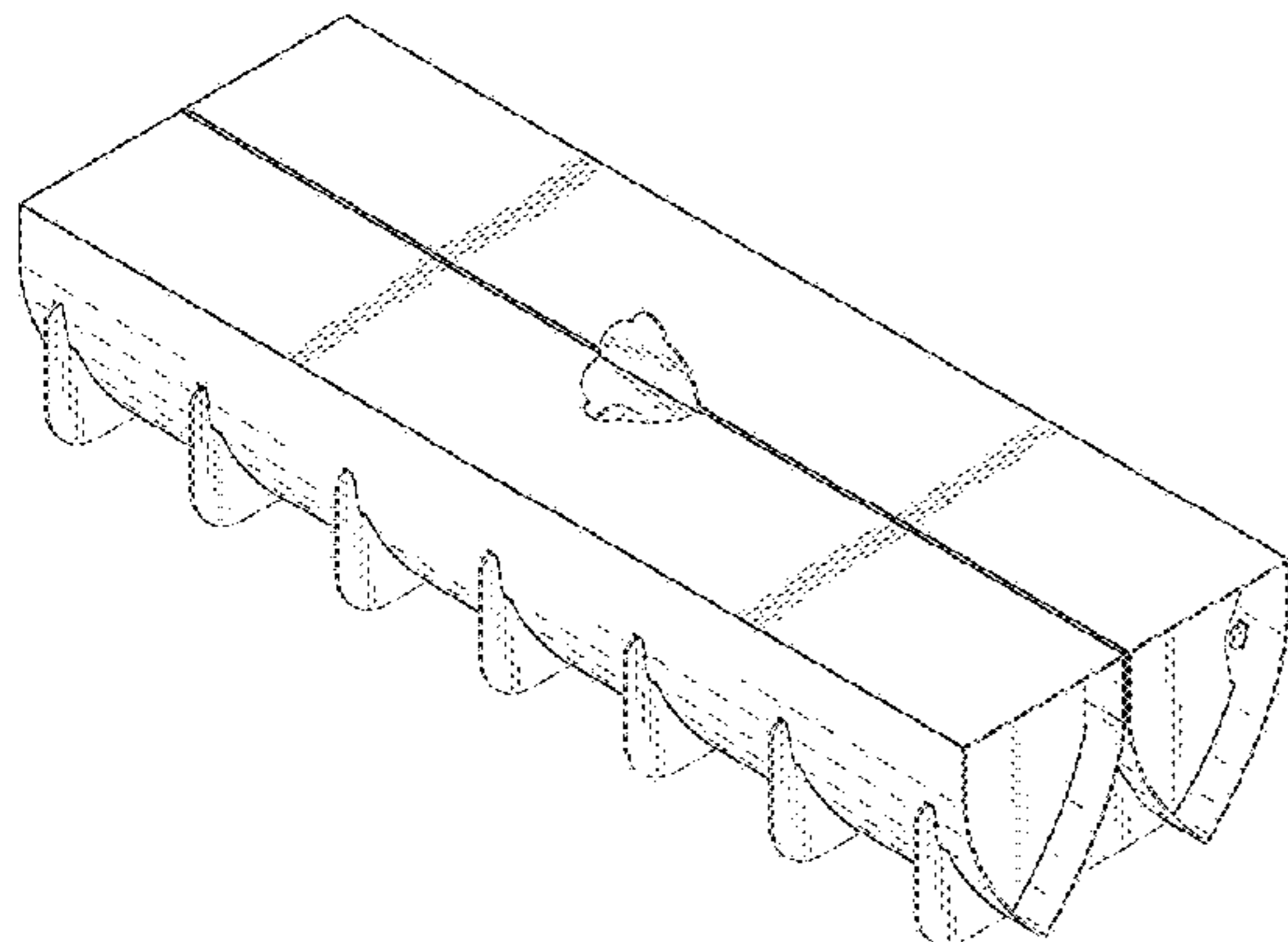
(57) **CLAIM**

The ornamental design for an egg carton, as shown and described.

DESCRIPTION

FIG. 1 is a top, front, and right side perspective view of an egg carton according to our new design;
FIG. 2 is a bottom, rear, and right side perspective view thereof;
FIG. 3 is a top, front, and right side perspective view thereof with upper lids in an open position;
FIG. 4 is a right side elevation view thereof;
FIG. 5 is a front elevation view thereof;
FIG. 6 is a top plan view thereof;
FIG. 7 is a rear elevation view thereof;
FIG. 8 is a left side elevation view thereof; and,
FIG. 9 is a bottom plan view thereof.

1 Claim, 5 Drawing Sheets



(56)

References Cited

U.S. PATENT DOCUMENTS

2,195,916 A *	4/1940	Brown	B31B 50/00	493/91	3,219,254 A *	11/1965	Hall	B65D 85/327	206/521.15
2,299,966 A *	10/1942	Dearbaugh	B65D 85/325	206/521.4	3,226,004 A *	12/1965	Cilluffo	B65D 85/327	206/521.5
2,326,244 A *	8/1943	Moore, Jr.	B65D 85/327	206/521.5	3,244,349 A *	4/1966	Randles, Jr.	B65D 85/325	206/521.6
D141,793 S *	7/1945	Benoit	D9/757		3,244,350 A *	4/1966	Randles, Jr.	B65D 85/325	206/521.6
D141,794 S *	7/1945	Benoit	D9/757		3,246,827 A *	4/1966	Walter	B65D 85/325	206/521.4
2,382,202 A	8/1945	Buttery				3,251,531 A *	5/1966	Hook	B65D 85/325	206/521.15
2,503,343 A *	4/1950	Levine	B65D 85/327	206/521.8	3,260,441 A *	7/1966	Koltz	B65D 85/325	206/521.15
2,537,374 A *	1/1951	Schwartzberg	B65D 85/325	206/521.4	3,311,284 A *	3/1967	Blais	B65D 85/325	206/521.6
2,551,854 A *	5/1951	Schwartzberg	B65D 85/325	206/521.4	3,314,588 A *	4/1967	Rodish	B65D 85/325	206/521.4
2,677,491 A *	5/1954	Burger	B65D 85/327	206/521.5	3,329,330 A *	7/1967	Helmick	B65D 85/325	206/521.4
2,873,059 A *	2/1959	Reifers	B65D 85/325	206/521.4	3,351,262 A *	11/1967	Hook	B65D 85/325	206/521.15
2,933,227 A	4/1960	Vahle				3,372,856 A *	3/1968	Erhart	B65D 85/324	229/123.2
2,995,289 A *	8/1961	Swanson	B65D 85/325	206/521.4	3,388,851 A *	6/1968	Coleman	B65D 85/325	206/521.15
3,006,528 A *	10/1961	Reifers	B65D 85/325	206/521.15	3,394,865 A *	7/1968	Leblanc	B65D 85/327	206/521.15
3,009,569 A *	11/1961	Blais	B65D 85/327	206/503	D248,452 S *	7/1978	Casutt	D9/757	
3,016,179 A *	1/1962	Swanson	B65D 85/325	206/521.15	D273,462 S *	4/1984	Mode	D9/431	
3,018,936 A *	1/1962	Rodriguez	B65D 85/327	206/521.1	5,344,023 A	9/1994	Cox et al.			
3,034,696 A *	5/1962	Swanson	B65D 85/325	206/521.15	D351,787 S *	10/1994	Hansen	D9/418	
3,088,649 A *	5/1963	Levkoff	B65D 85/325	206/521.4	D451,381 S *	12/2001	Iliopoulos	D9/762	
3,088,650 A *	5/1963	Levkoff	B65D 85/325	229/104	D530,921 S *	10/2006	Snell	D3/304	
3,152,747 A *	10/1964	Cummings	B65D 85/325	206/521.6	D576,031 S *	9/2008	Bone	D9/418	
3,158,309 A *	11/1964	Levkoff	B65D 85/325	206/521.15	D605,036 S *	12/2009	Lloyd	D9/435	
3,173,597 A *	3/1965	Colgren	B65D 85/325	206/521.15	D643,301 S *	8/2011	Consylman	D9/600	
3,179,324 A *	4/1965	Holmes	B65D 85/325	206/521.8	D675,092 S *	1/2013	Sill	D9/431	
3,185,380 A *	5/1965	Reifers	B65D 85/325	206/521.15	D675,520 S *	2/2013	Sill	D9/431	
						D691,035 S *	10/2013	Sill	D9/418	
						D691,036 S *	10/2013	Sill	D9/418	
						D693,218 S *	11/2013	Sill	D9/418	
						D693,679 S *	11/2013	Sill	D9/433	
						D697,790 S *	1/2014	Iwegbu	D9/420	
						D769,114 S *	10/2016	Montemayor	D9/431	
						D809,383 S *	2/2018	Kato	D9/434	
						D815,521 S *	4/2018	Kato	D9/432	
						D824,250 S *	7/2018	Struggl	D9/430	
						D860,780 S *	9/2019	Requena	D9/420	

* cited by examiner

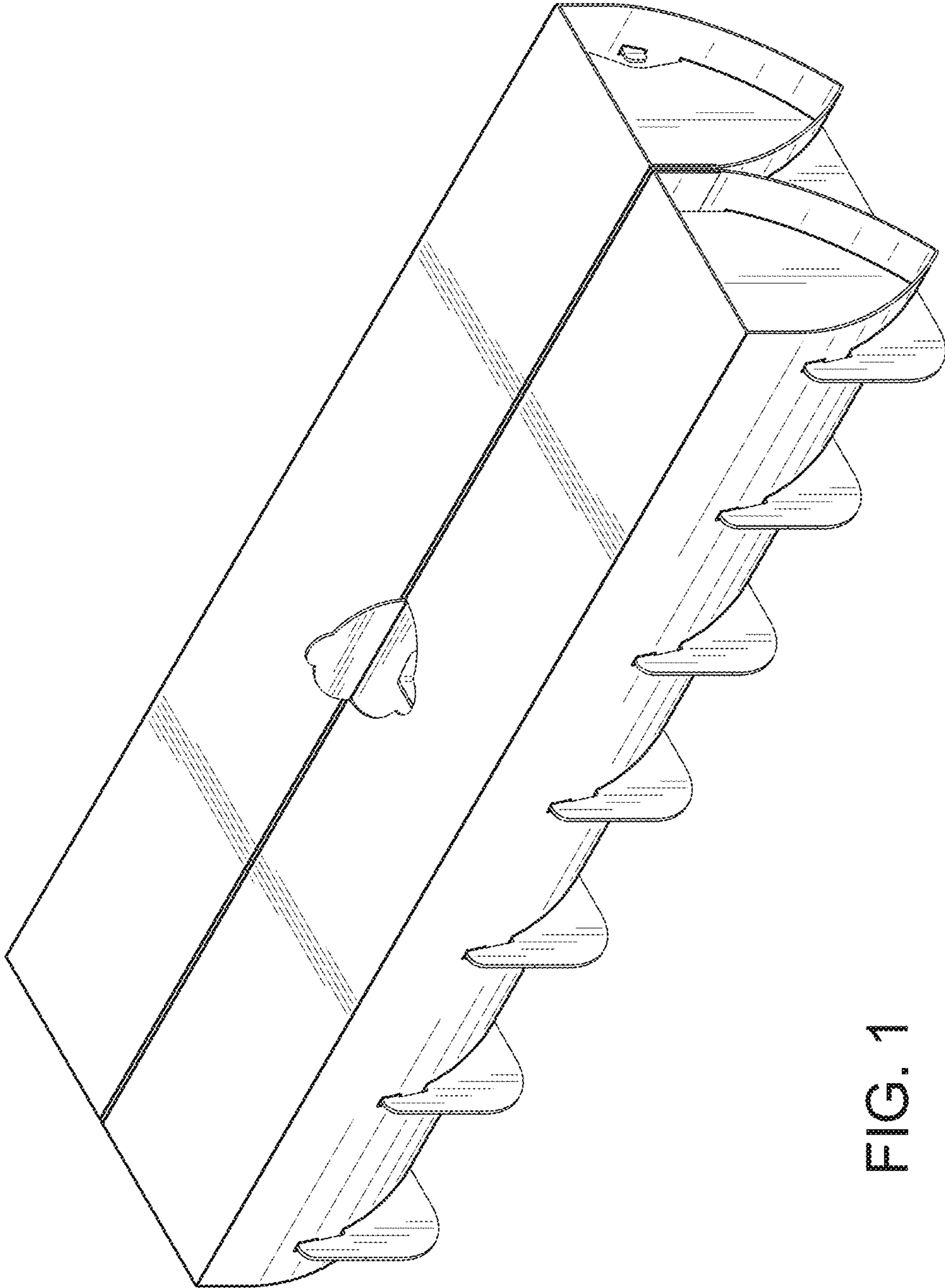


FIG. 1

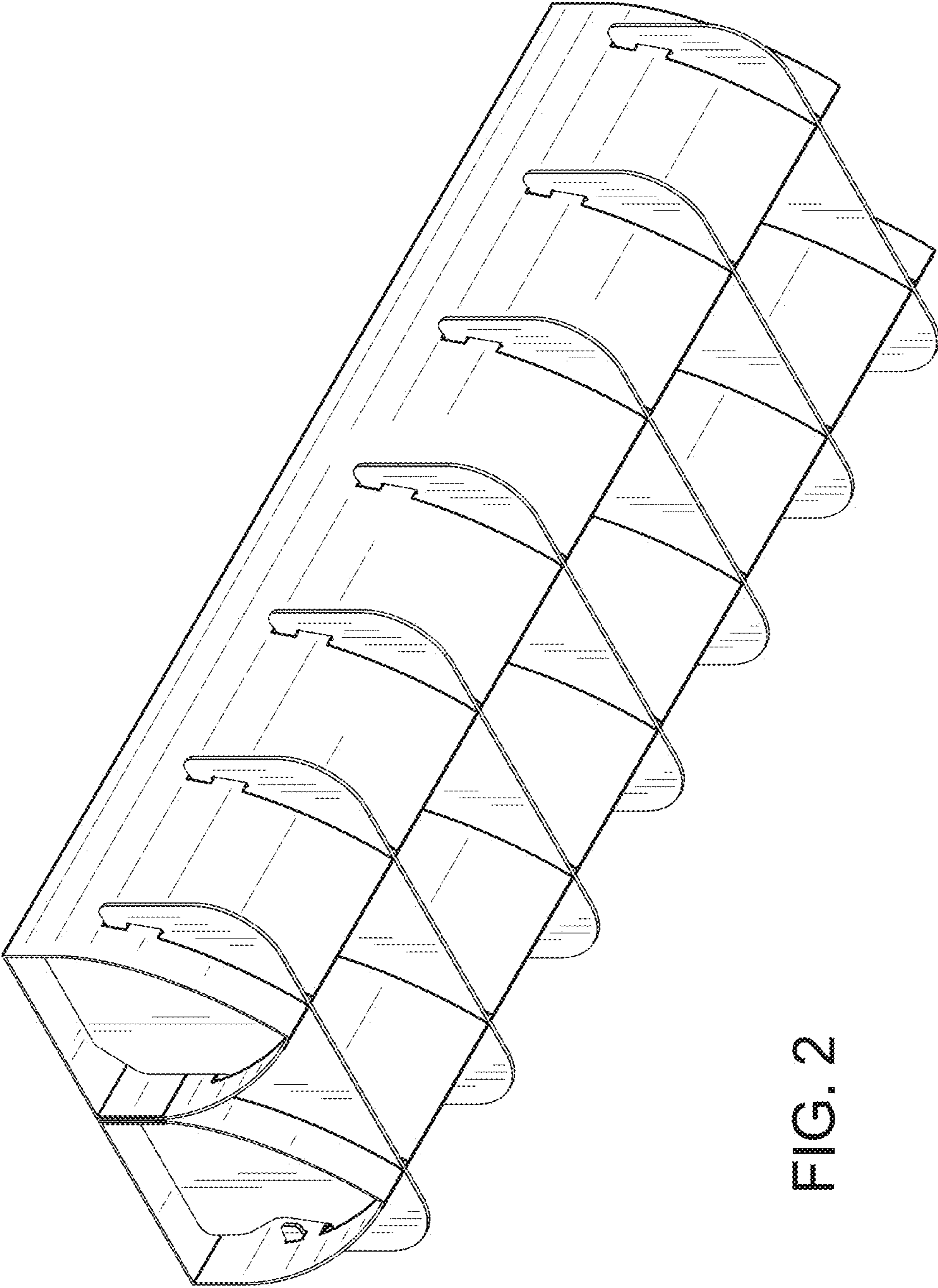


FIG. 2

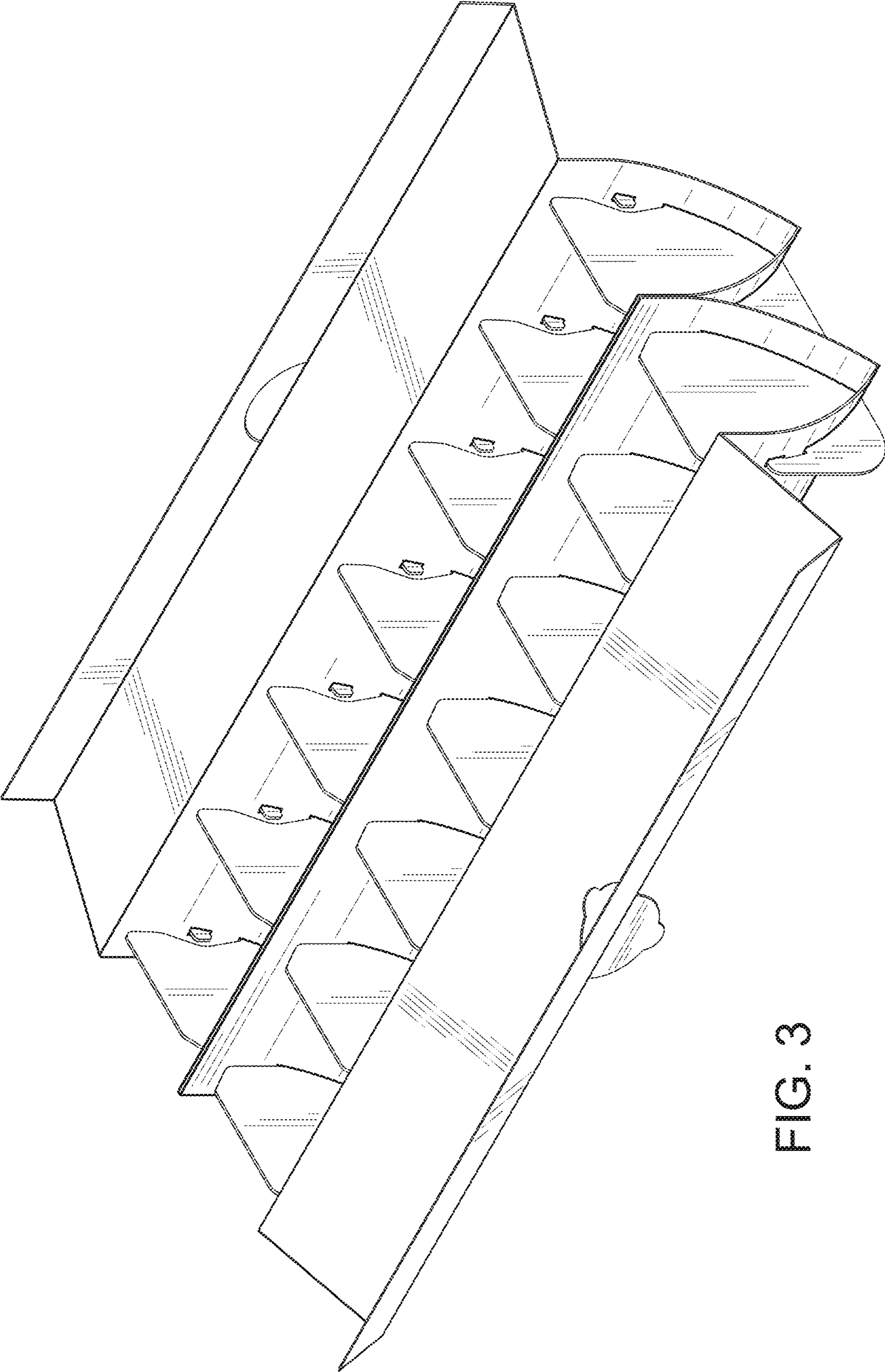


FIG. 3

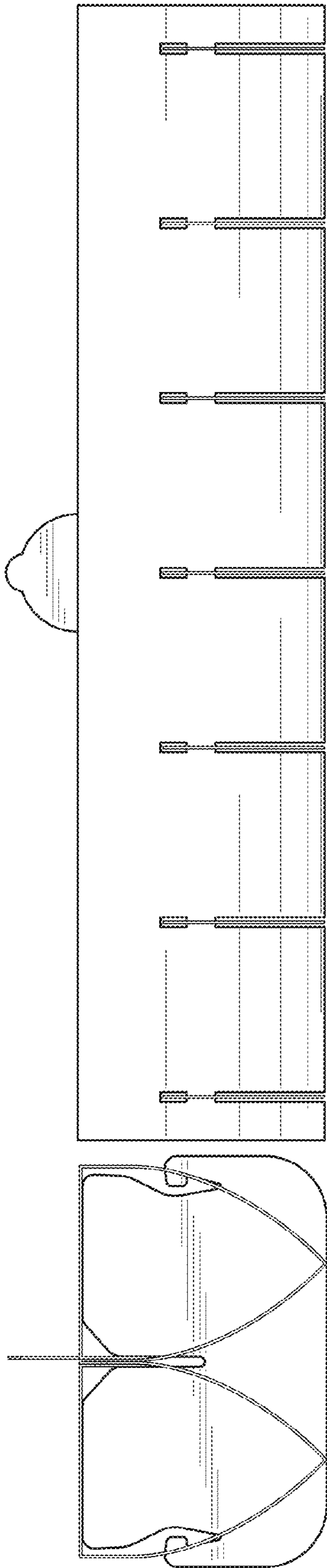


FIG. 4

FIG. 5

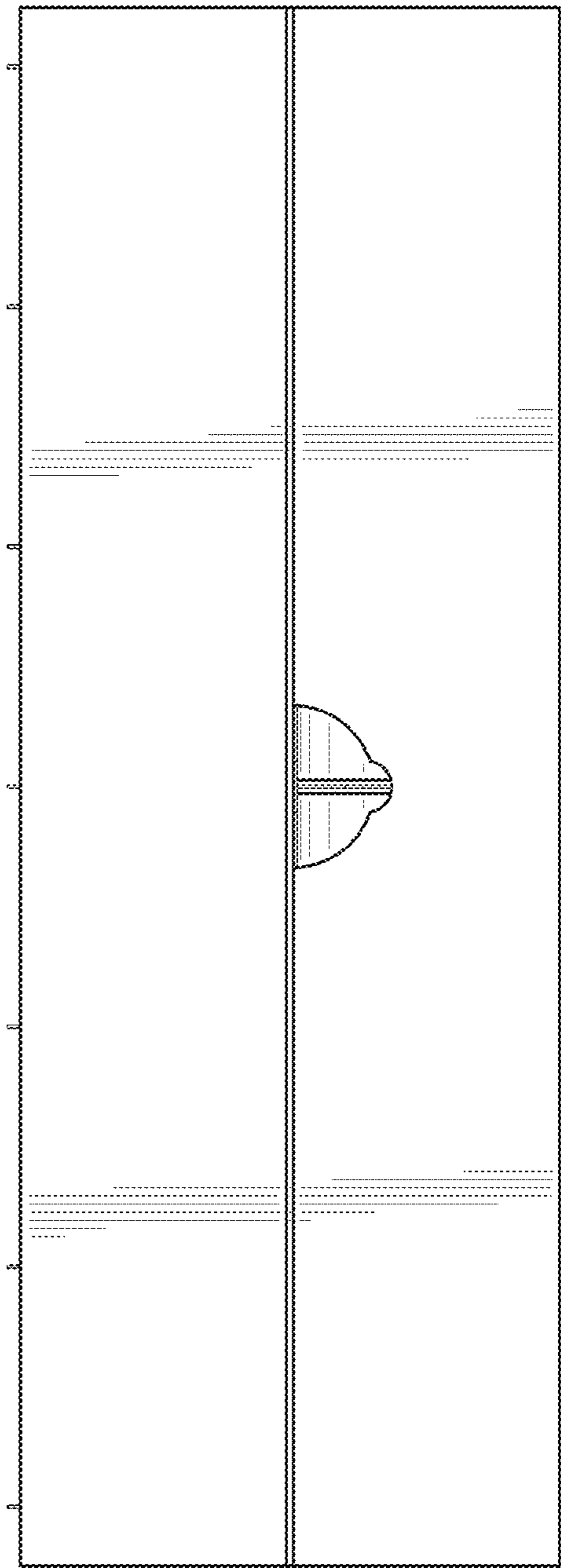


FIG. 6

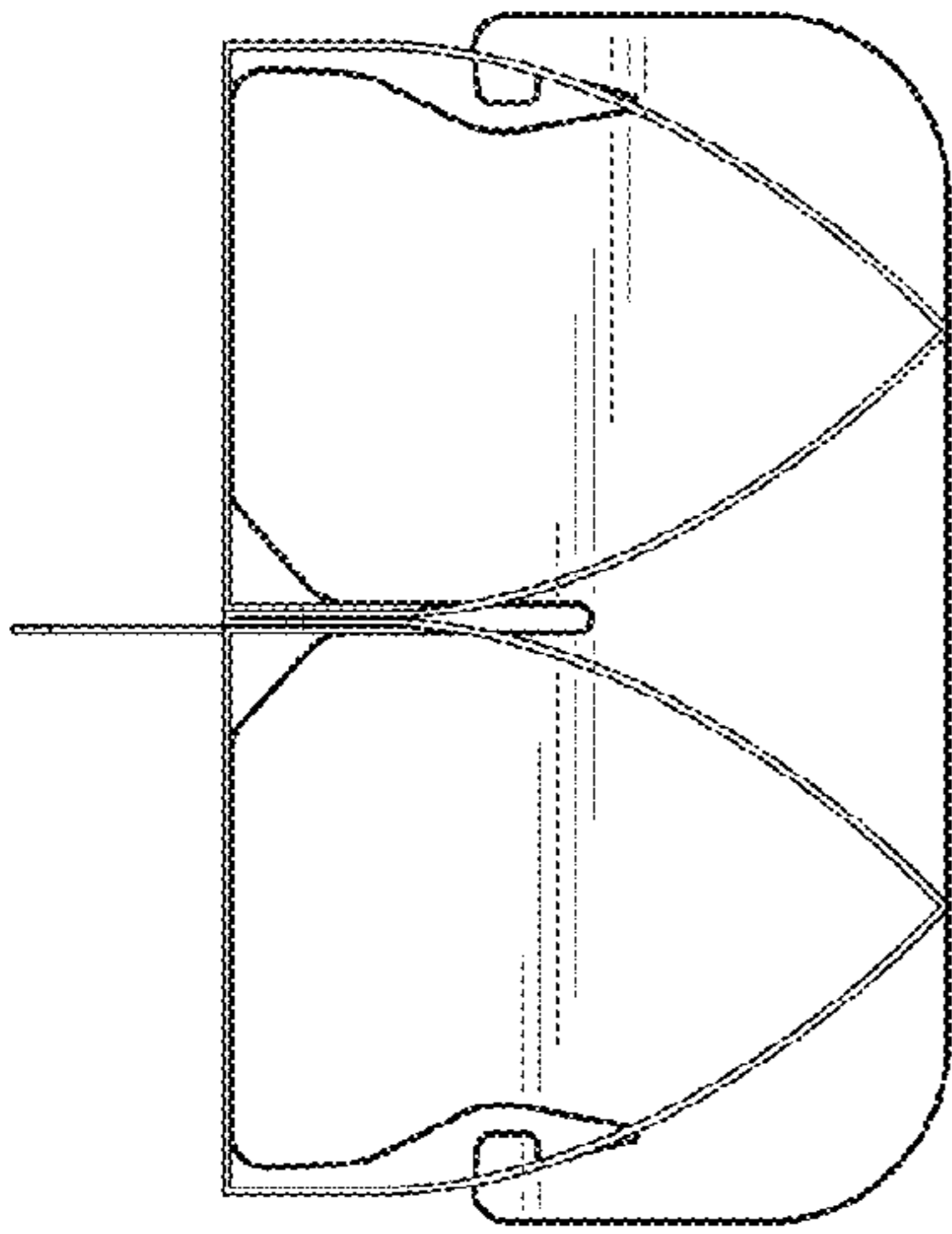


FIG. 8

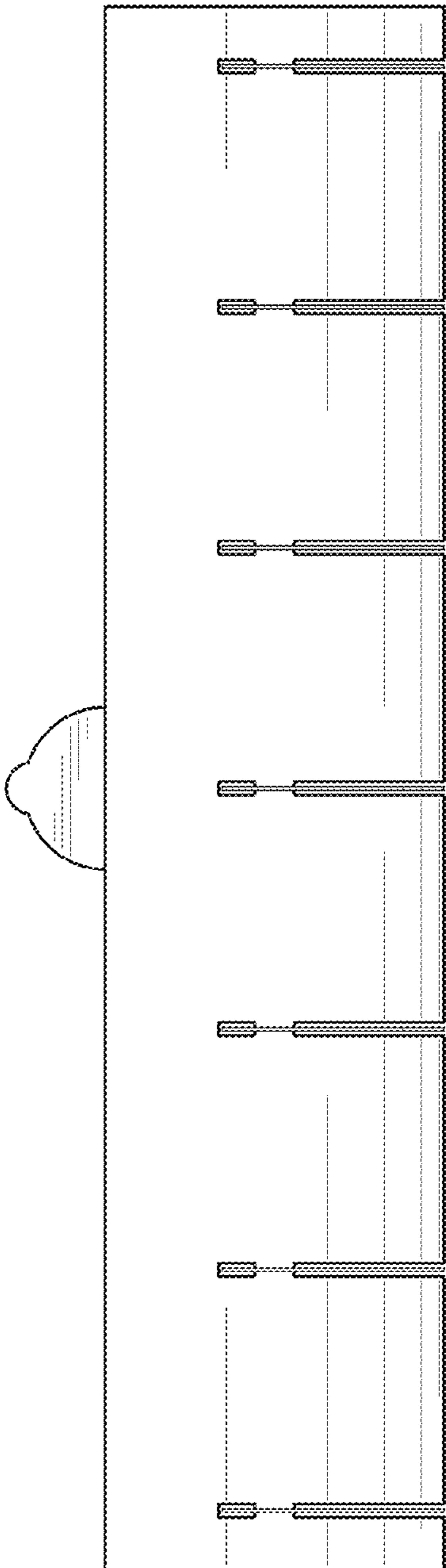


FIG. 7

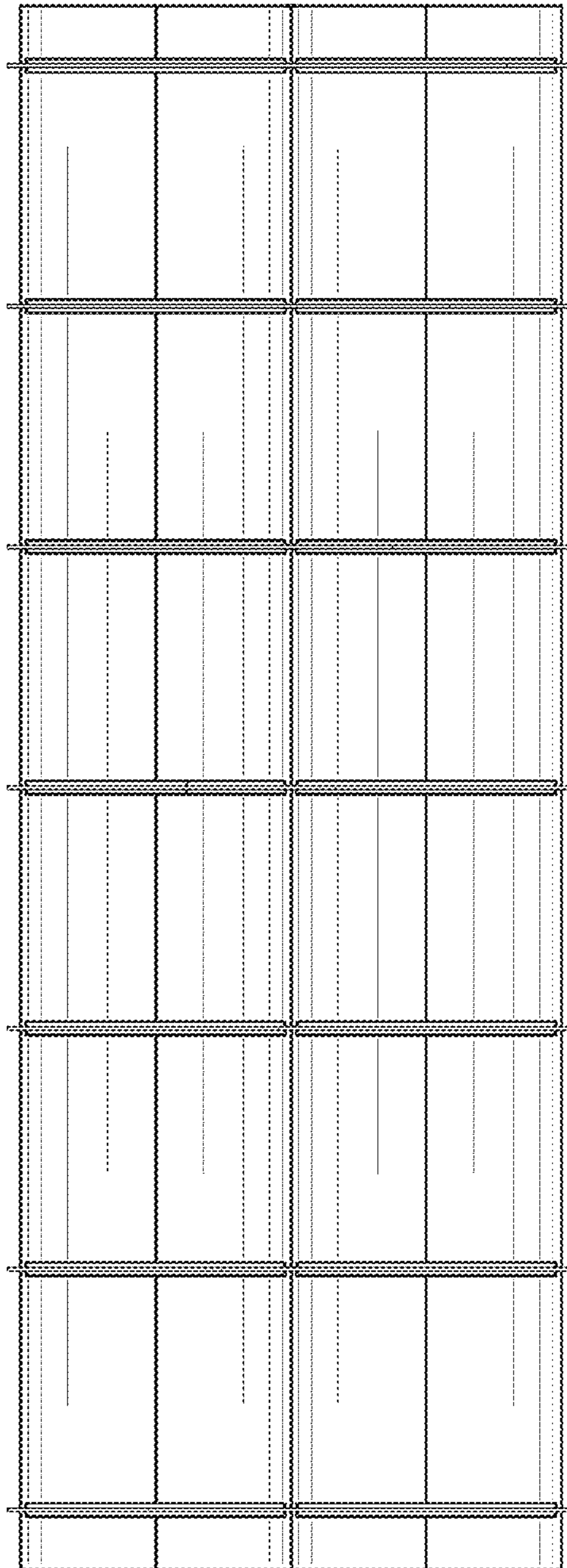


FIG. 9