



US00D918738S

(12) **United States Design Patent** (10) **Patent No.:** **US D918,738 S**
Laflamme et al. (45) **Date of Patent:** **** May 11, 2021**

(54) **EGG CARTON**

(71) Applicant: **Consider Provisions, LLC**, Monroe, NH (US)
(72) Inventors: **Jesse Laflamme**, Hanover, NH (US); **James T. McGee**, Winthrop, MA (US); **Steffen F. Koury**, Nahant, MA (US); **Yen Wei Lee**, Newton, MA (US); **Darryl F. Khalil**, Abington, MA (US); **Paul K. Metaxatos**, Swampscott, MA (US)

(73) Assignee: **Consider Provisions, LLC**, Monroe, NH (US)

(**) Term: **15 Years**

(21) Appl. No.: **29/712,912**

(22) Filed: **Nov. 12, 2019**

(51) **LOC (13) Cl.** **09-03**

(52) **U.S. Cl.**
USPC **D9/762**; D9/421; D9/431

(58) **Field of Classification Search**
USPC D9/721, 737, 750, 756-762, 501, 414, D9/416; D7/601, 602, 611, 701, 703, D7/629, 550.1, 553.1, 553.2, 553.3, D7/554.3, 396.1; D3/201, 271.1, 273, D3/294, 295, 304, 313-315; 206/557, 206/521.15, 521.1-521.9, 586, 784, 822
CPC B65D 85/327; B65D 85/32; B65D 2571/00141; B65D 2571/00154; B65D 2571/00716; B65D 5/029; B65D 5/2047; B65D 5/48018; B65D 5/503; B65D 5/6664; B65D 71/20; B65D 71/46; B65D 5/3628; B65D 85/1048; B65D 85/325; B65D 85/324; Y10S 493/913
See application file for complete search history.

(56) **References Cited**

U.S. PATENT DOCUMENTS

1,327,946 A	1/1920	Coyle	
1,653,633 A *	12/1927	Koeser	B65D 85/327 206/521.1
1,681,940 A *	8/1928	Lander	B65D 5/6664 229/114
1,768,024 A	6/1930	Benoit	
1,793,026 A	2/1931	Sugarman	
1,880,074 A	9/1932	Coyle	
1,913,441 A	6/1933	Guyer	
1,923,774 A *	8/1933	Coyle	B65D 85/32 229/198.1
D92,775 S *	7/1934	Sekine	D9/418

(Continued)

FOREIGN PATENT DOCUMENTS

GB	501916	3/1939
GB	614218	12/1948
GB	972552	10/1964

Primary Examiner — W. A. Teddy Falloway
(74) *Attorney, Agent, or Firm* — Wolf, Greenfield & Sacks, P.C.

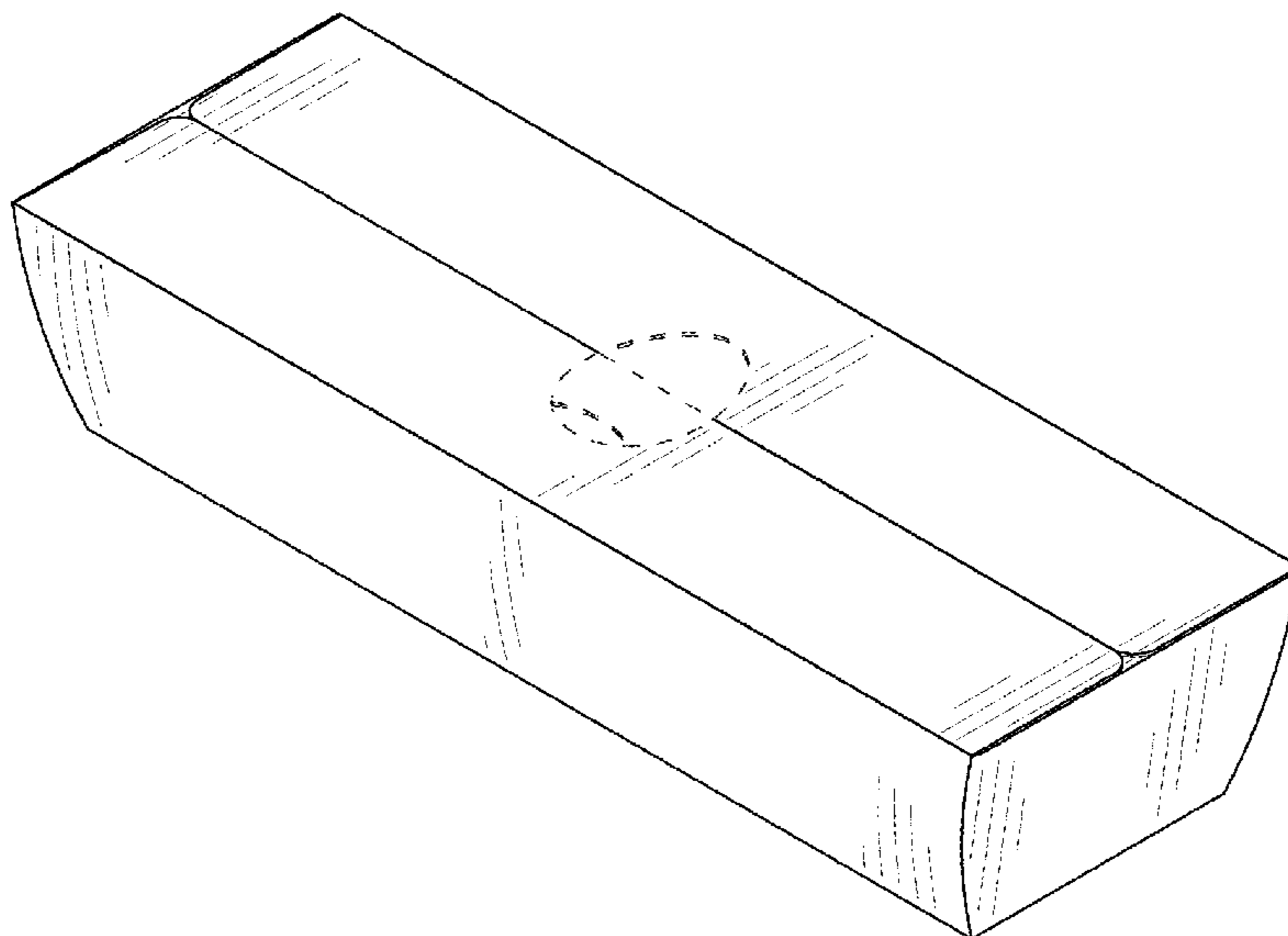
(57) **CLAIM**

The ornamental design for an egg carton, as shown and described.

DESCRIPTION

FIG. 1 is a top, front, and right side perspective view of an egg carton according to our new design;
FIG. 2 is a bottom, front, and right side perspective view thereof;
FIG. 3 is top plan view thereof;
FIG. 4 is a bottom plan view thereof;
FIG. 5 is a right side elevation view thereof;
FIG. 6 is a front elevation view thereof;
FIG. 7 is a rear elevation view thereof; and,
FIG. 8 is a left side elevation view thereof.
The broken lines represent portions of the egg carton that form no part of the claimed design.

1 Claim, 5 Drawing Sheets



(56)

References Cited

U.S. PATENT DOCUMENTS

2,009,874 A * 7/1935 Cauley B65D 85/327
206/521.2

2,013,606 A 9/1935 Hale

2,047,495 A 7/1936 Schurmann

2,078,430 A 4/1937 Walsh

2,134,763 A 11/1938 Lawless

2,382,202 A 8/1945 Buttery

2,572,610 A * 10/1951 Gilbert B65D 5/4295
229/126

2,933,227 A 4/1960 Vahle

3,394,865 A * 7/1968 LeBlanc B65D 85/327
206/521.15

D217,441 S * 5/1970 Kanaga D9/421

D239,817 S * 5/1976 Kellogg D9/757

4,105,155 A * 8/1978 Forbes, Jr. B65D 5/48018
229/112

4,194,682 A * 3/1980 Congleton B65D 5/503
206/521.1

D264,791 S * 6/1982 Conti D3/314

D273,462 S * 4/1984 Mode D9/431

5,344,023 A 9/1994 Cox et al.

D351,787 S * 10/1994 Hansen D9/418

D451,381 S * 12/2001 Iliopoulos D9/762

D488,352 S * 4/2004 Tisdale D7/586

D530,921 S * 10/2006 Snell D3/304

D540,667 S * 4/2007 Duranthon D9/430

D561,023 S * 2/2008 Jacxsens D9/431

D576,031 S * 9/2008 Bone D9/418

D605,036 S * 12/2009 Lloyd D9/435

D635,016 S * 3/2011 Kalberer D9/431

D643,301 S * 8/2011 Consylman D9/600

D675,092 S * 1/2013 Sill D9/431

D675,520 S * 2/2013 Sill D9/431

D691,035 S * 10/2013 Sill D9/418

D691,036 S * 10/2013 Sill D9/418

D693,218 S * 11/2013 Sill D9/418

D693,679 S * 11/2013 Sill D9/433

D697,790 S * 1/2014 Iwegbu D9/420

D769,114 S * 10/2016 Montemayor D9/431

9,763,844 B2 * 9/2017 Krinsky A61G 17/041

D809,383 S * 2/2018 Kato D9/434

D815,521 S * 4/2018 Kato D9/432

D824,250 S * 7/2018 Struggl D9/430

D852,622 S * 7/2019 Li D9/432

D854,942 S * 7/2019 Requena D9/761

D860,780 S * 9/2019 Requena D9/420

D876,951 S * 3/2020 Sill D9/431

2005/0126946 A1 * 6/2005 Holley, Jr. B65D 71/20
206/427

* cited by examiner

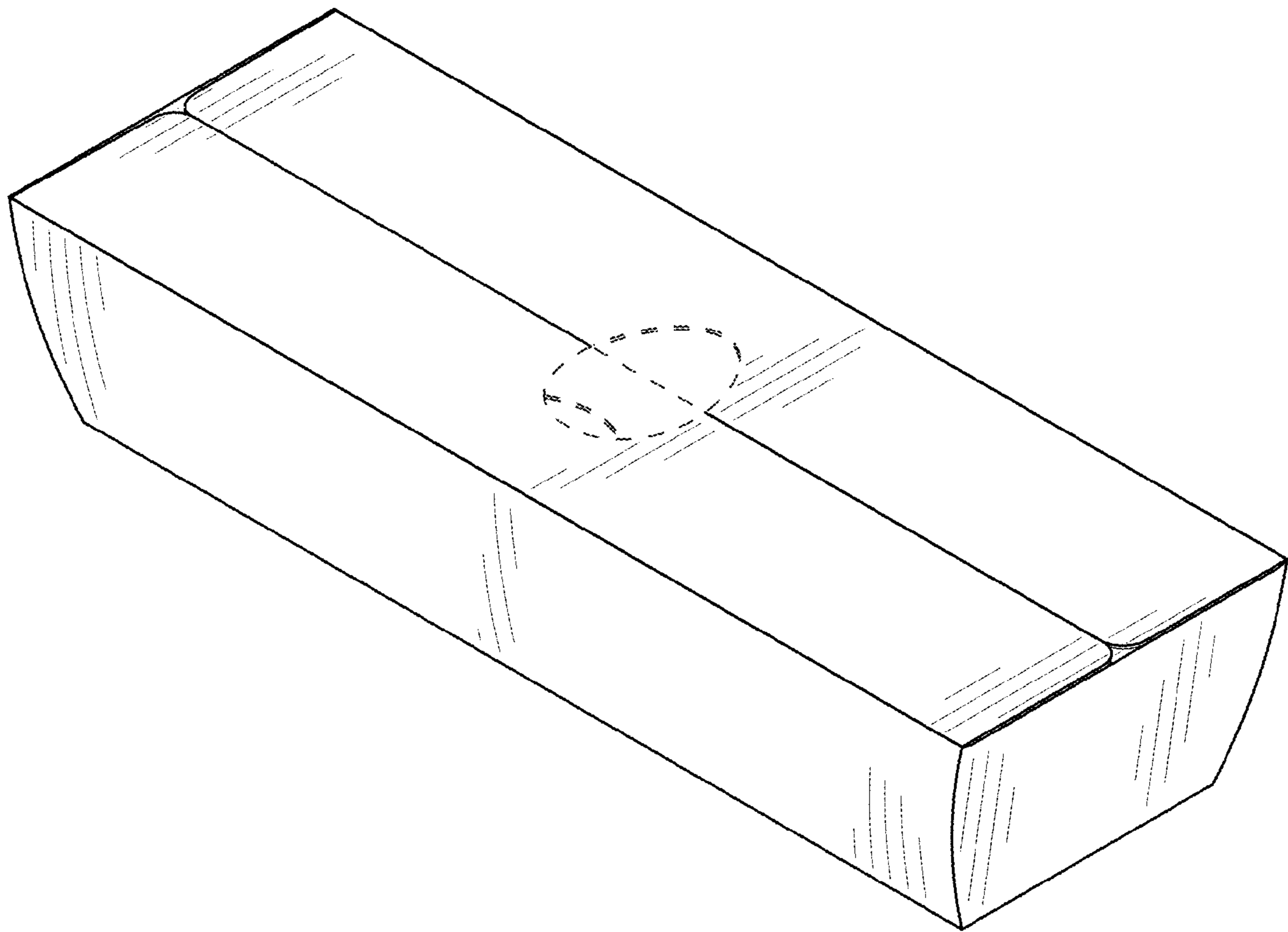


FIG. 1

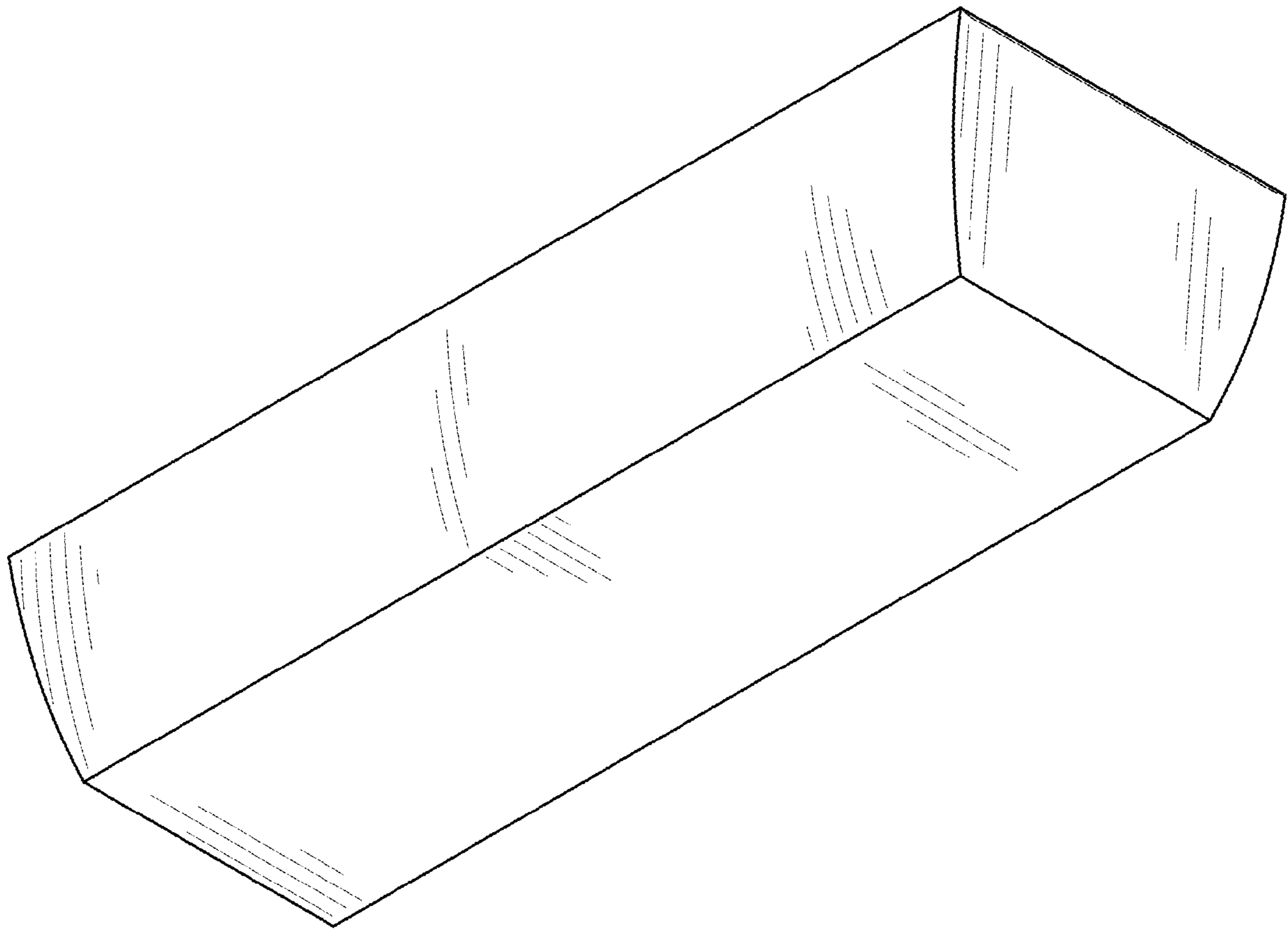


FIG. 2

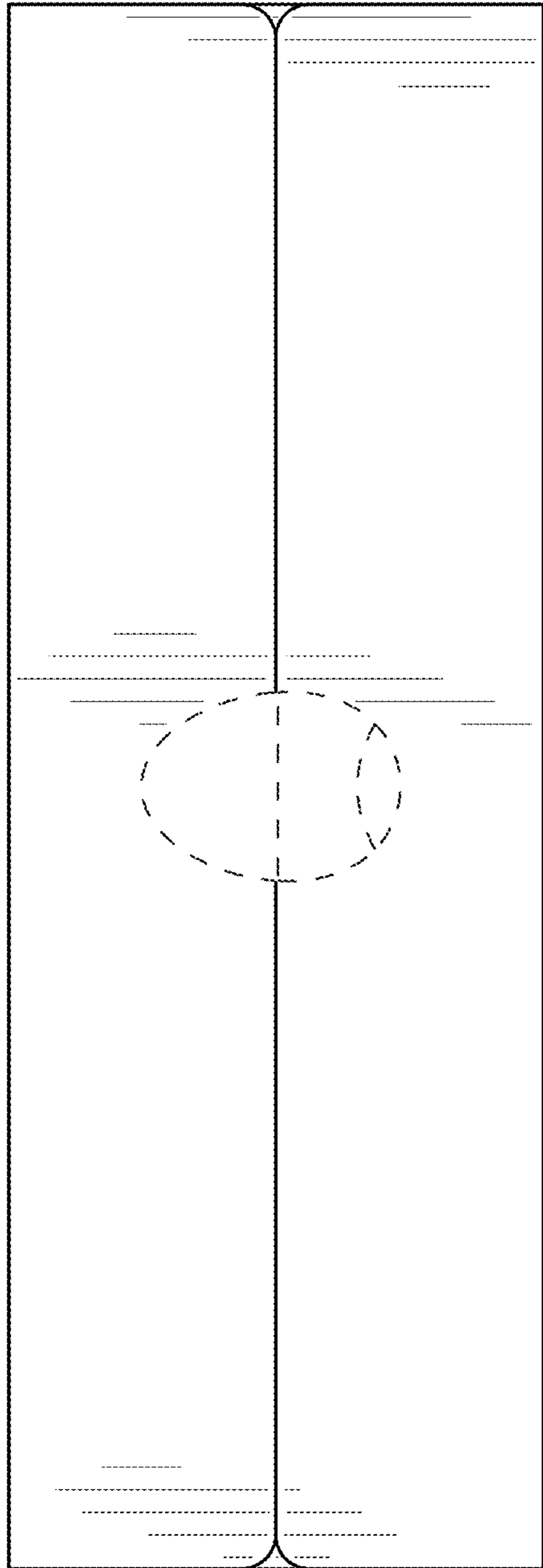


FIG. 3

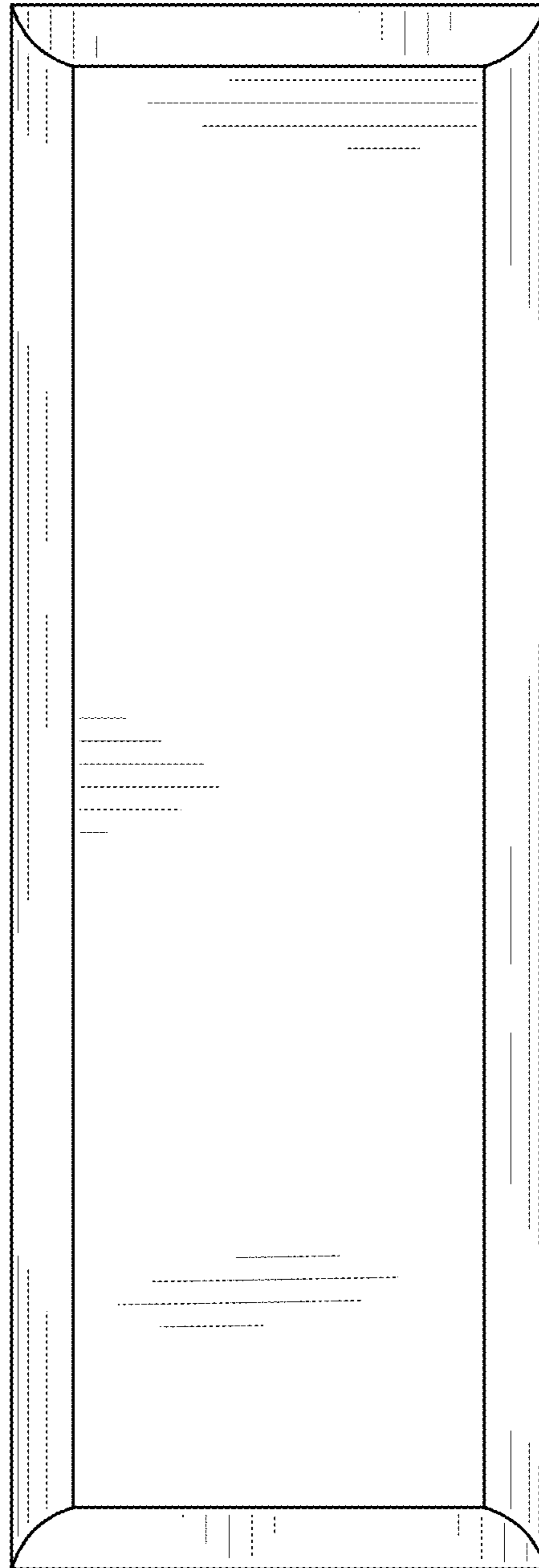


FIG. 4

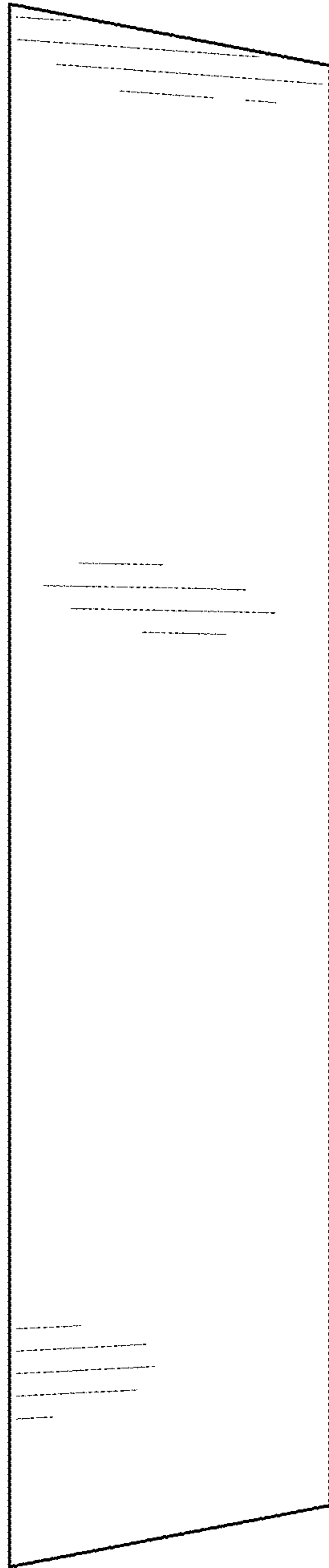


FIG. 5

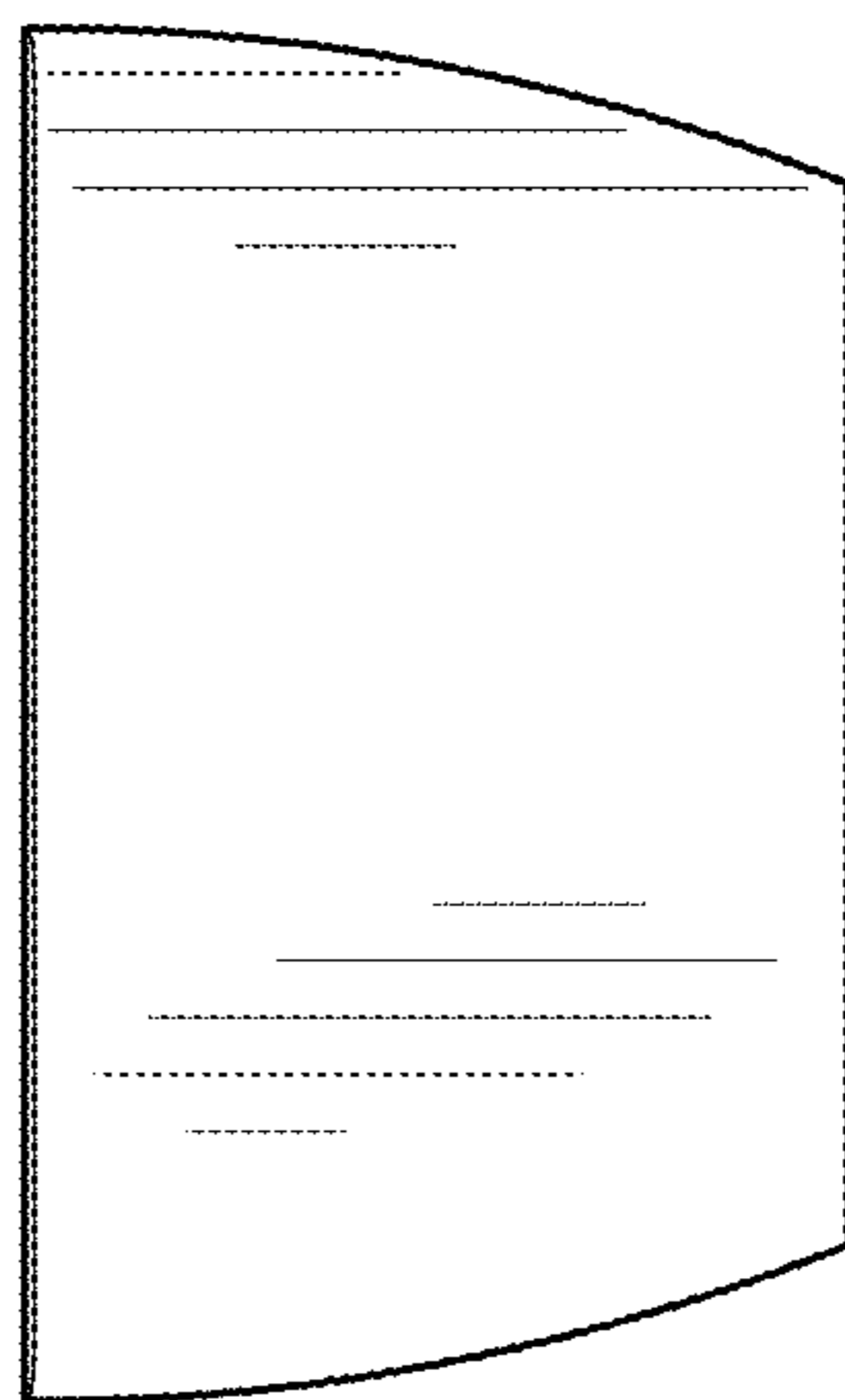


FIG. 6

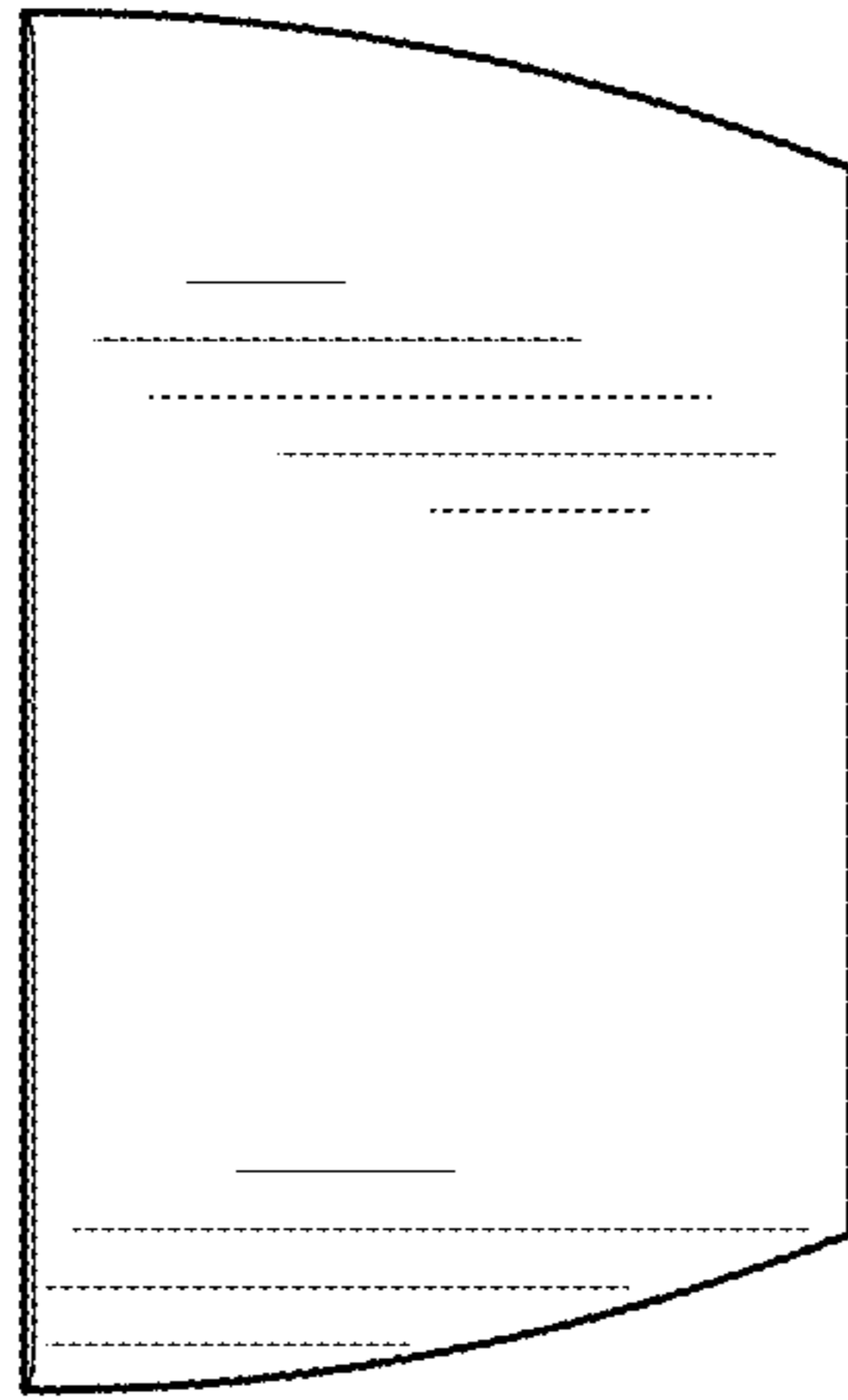


FIG. 8

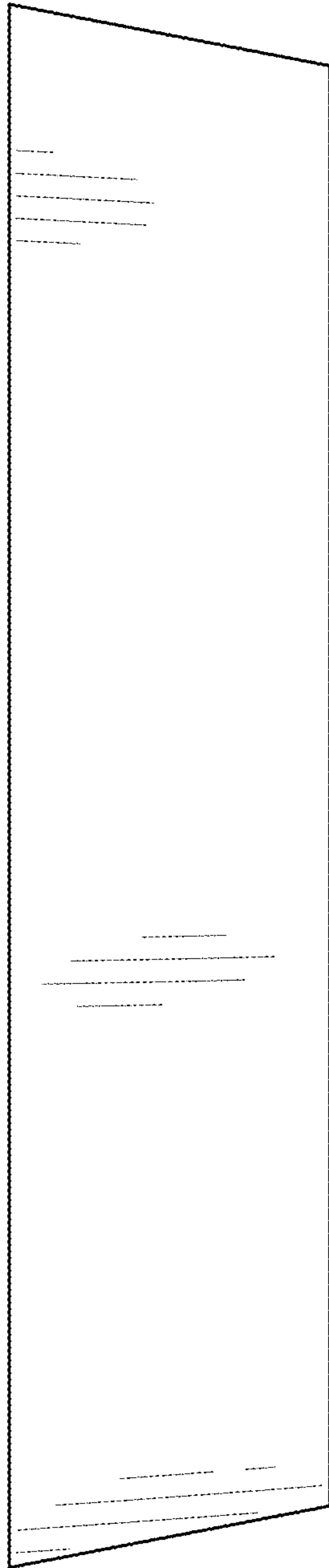


FIG. 7