



US00D918733S

(12) **United States Design Patent** (10) **Patent No.:** **US D918,733 S**
Tseng et al. (45) **Date of Patent:** **** May 11, 2021**

(54) **PLASTIC BAG WITH TEXTURED STRIPS**

4,753,766 A 6/1988 Pinsolle
D297,113 S * 8/1988 Benoit D9/703

(71) Applicant: **Inteplast Group Corporation**,
Livingston, NJ (US)

4,840,824 A 6/1989 Davis
D302,112 S 7/1989 Benoit
(Continued)

(72) Inventors: **Ben Tseng**, East Brunswick, NJ (US);
Ter-Hai Lin, Sugar Land, TX (US);
Joe Wang, Roseland, NJ (US); **Jerry Hsu**, Closter, NJ (US)

Primary Examiner — Brett Miller
(74) *Attorney, Agent, or Firm* — Stinson LLP

(73) Assignee: **Inteplast Group Corporation**,
Livingston, NJ (US)

(57) **CLAIM**

The ornamental design for a plastic bag with textured strips,
as shown and described.

(**) Term: **15 Years**

DESCRIPTION

(21) Appl. No.: **29/668,760**

(22) Filed: **Nov. 1, 2018**

Related U.S. Application Data

(62) Division of application No. 29/561,389, filed on Apr. 15, 2016, now Pat. No. Des. 844,449, which is a division of application No. 29/470,764, filed on Oct. 24, 2013, now Pat. No. Des. 755,640.

(51) **LOC (13) Cl.** **09-05**

(52) **U.S. Cl.**
USPC **D9/703**

(58) **Field of Classification Search**
USPC D9/702–714, 643; 383/63
CPC B65D 33/2591; B65D 33/20
See application file for complete search history.

FIG. 1 is a front elevation of an embodiment of a plastic bag of the present invention, the plastic bag having four textured strips extending between the opening of the bag and the bottom of the bag, the rear elevation being a mirror image thereof;

FIG. 2 is a front elevation of another embodiment of the invention, the plastic bag having four textured strips extending between the opening of the bag and the bottom of the bag;

FIG. 3 is a front elevation of another embodiment of the invention, the plastic bag having four textured strips extending between the opening of the bag and the bottom of the bag; and,

FIG. 4 is a front elevation of another embodiment of the invention, the plastic bag having four textured strips extending between the opening of the bag and the bottom of the bag.

The shading in the figures depicts a texture contrast consonant with the visual appearance shown in these drawings. A front of each plastic bag is transparent, and vertical strips have stippling to show that the strips have a different texture, and therefore a texture contrast is depicted between the textured strips and the remainder of the bag.

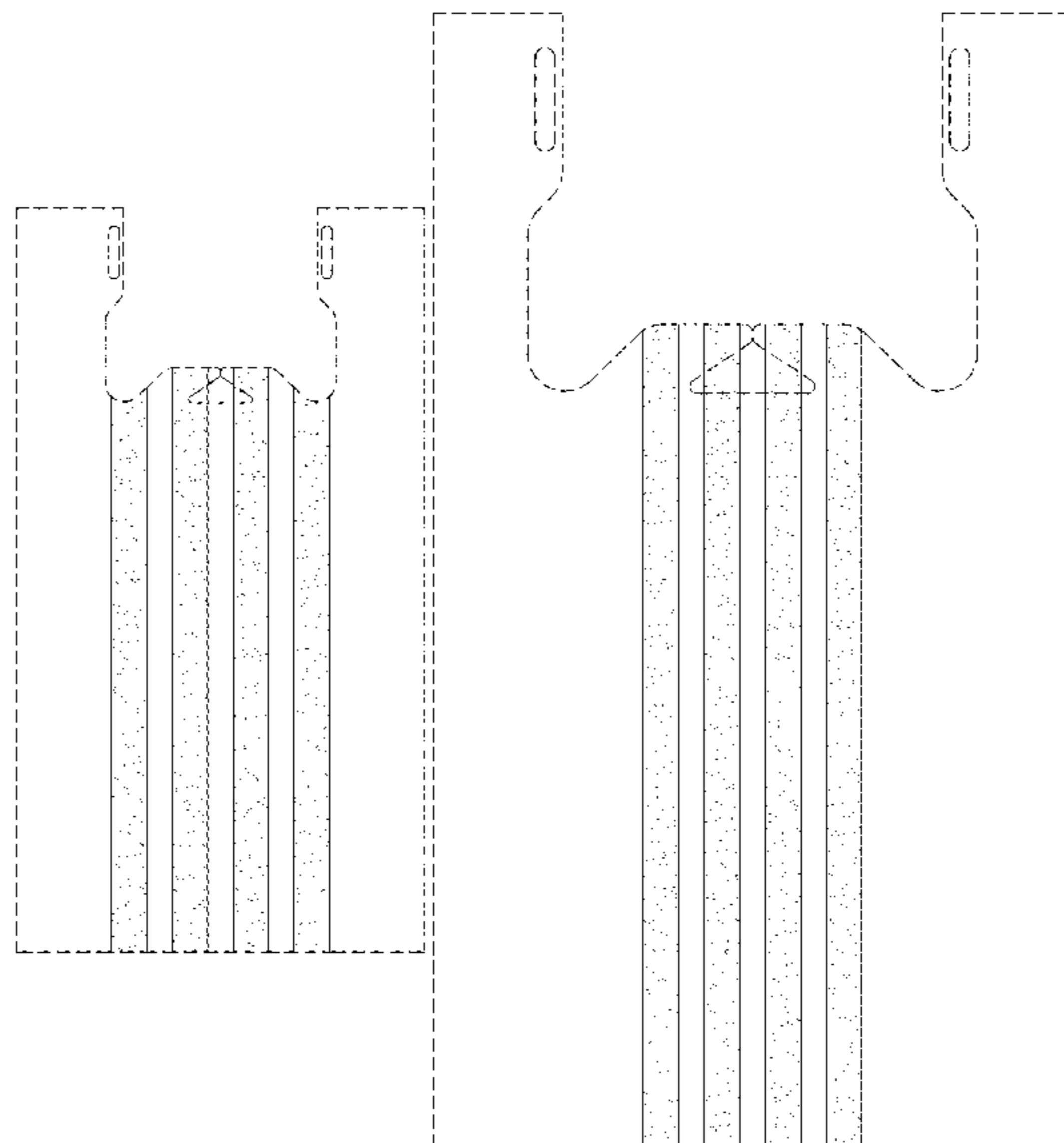
The broken lines illustrate unclaimed environmental structure and form no part of the claimed design.

(56) **References Cited**

U.S. PATENT DOCUMENTS

D29,594 S	11/1898	Arkell	
3,715,420 A	2/1973	Kiyono et al.	
4,488,918 A	12/1984	Jofs	
4,562,023 A	12/1985	Pabst et al.	
D287,572 S *	1/1987	Dancy	D9/703
D288,779 S *	3/1987	Pilon	D9/703
D290,226 S *	6/1987	Reimann	D9/703

1 Claim, 4 Drawing Sheets



(56)

References Cited

U.S. PATENT DOCUMENTS

5,308,666 A 5/1994 Borchardt
D349,451 S * 8/1994 Sagnard D9/703
D353,761 S * 12/1994 Nguyen D9/703
5,382,094 A 1/1995 Ausnit
D363,018 S 10/1995 Stokes et al.
5,564,223 A * 10/1996 Takita A01G 13/0237
383/120
5,804,112 A 9/1998 Greene
D401,846 S 12/1998 Nguyen
5,863,130 A 1/1999 Nguyen
5,894,947 A 4/1999 Morano
D432,907 S * 10/2000 Hyde D9/703
D452,646 S * 1/2002 Pige D9/703
D466,005 S 11/2002 Gates
6,716,296 B2 4/2004 Chum
D541,667 S 5/2007 Pokusa et al.
D541,668 S 5/2007 Pokusa et al.
D541,669 S 5/2007 Pokusa et al.
D542,646 S 5/2007 Berman
D551,989 S 10/2007 Engel et al.
D552,482 S * 10/2007 Lin D9/703
7,381,357 B2 6/2008 Cramer
D587,129 S 2/2009 Schiffman et al.
D595,148 S 6/2009 Friedland et al.
D613,181 S 4/2010 Friedland et al.
7,950,851 B2 5/2011 Taheri
D642,069 S 7/2011 LaFauci et al.
D660,179 S 5/2012 Bray
D667,228 S 9/2012 Kurose et al.
D675,937 S 2/2013 Stern

D676,762 S 2/2013 LaFauci
8,389,596 B2 3/2013 Boyce et al.
D684,467 S 6/2013 Macaulay et al.
D684,468 S * 6/2013 Macaulay D9/434
D688,564 S 8/2013 LaFauci
D691,491 S 10/2013 Tucker et al.
D692,314 S 10/2013 Wilcoxon et al.
D693,238 S 11/2013 Wilcoxon et al.
D696,141 S 12/2013 Wilcoxon et al.
D703,547 S 4/2014 France et al.
D712,206 S 9/2014 Ostroy
D723,383 S * 3/2015 Tseng D9/703
D723,937 S 3/2015 Dais et al.
D755,640 S * 5/2016 Tseng D9/703
D757,534 S * 5/2016 Matsuura D9/415
D761,661 S * 7/2016 Tseng D9/703
9,540,144 B2 * 1/2017 Tseng B65D 33/002
D786,089 S * 5/2017 Cobler D9/703
D793,244 S * 8/2017 Shifflett D9/703
D797,194 S * 9/2017 Domotor D20/27
D804,959 S * 12/2017 Anda D9/705
D844,449 S * 4/2019 Tseng D9/703
2003/0138171 A1 7/2003 Kikuchi
2004/0184682 A1 9/2004 Lovold
2008/0277308 A1 * 11/2008 Simhaee A45C 3/004
206/554
2011/0211777 A1 9/2011 Gerbault
2011/0249919 A1 10/2011 Shepard
2011/0311169 A1 12/2011 Smith et al.
2012/0180434 A1 7/2012 Snyder et al.
2012/0195526 A1 8/2012 Moehlenbrock et al.
2016/0221723 A1 8/2016 Tseng et al.

* cited by examiner

FIG. 1

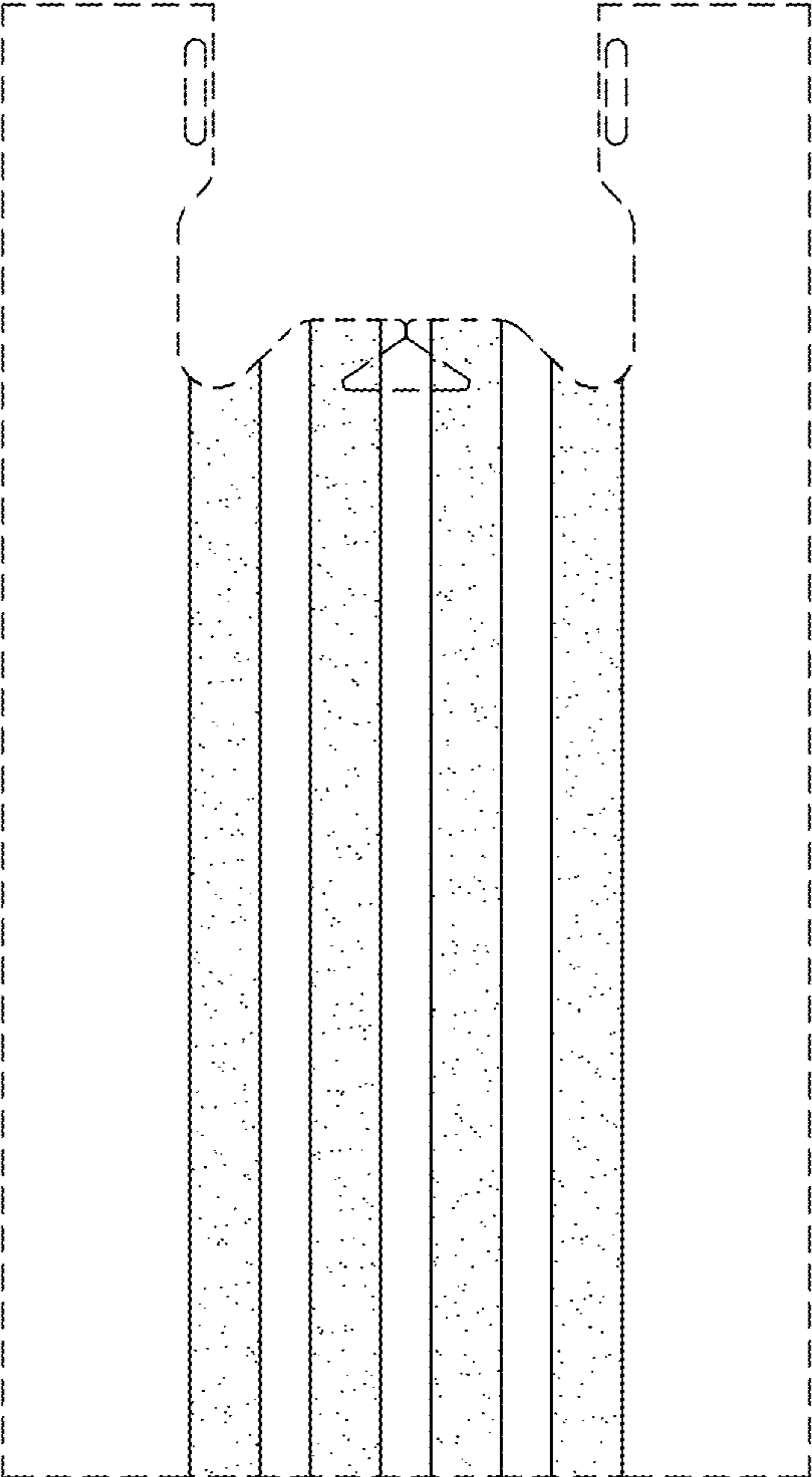


FIG. 2

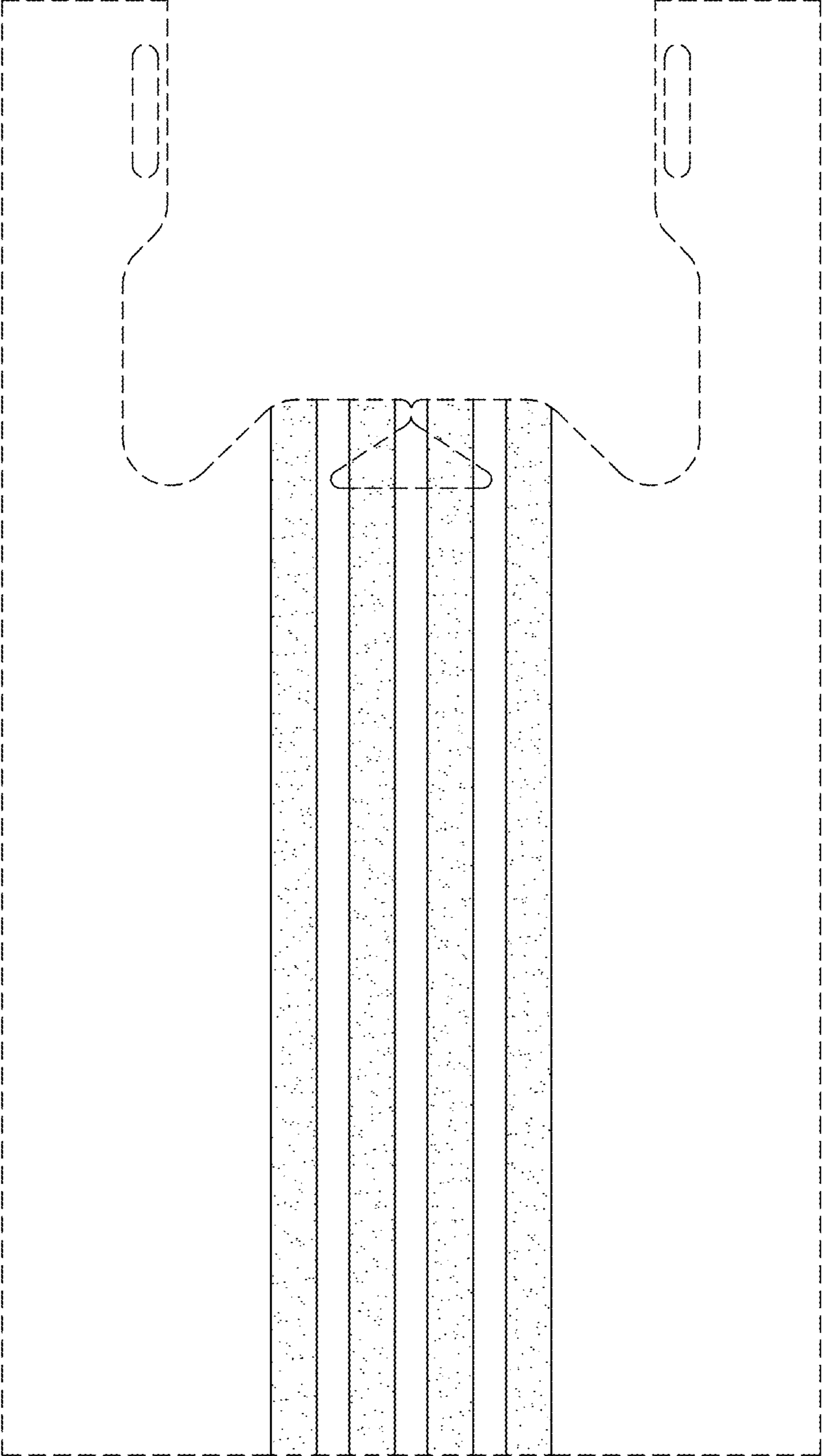


FIG. 3

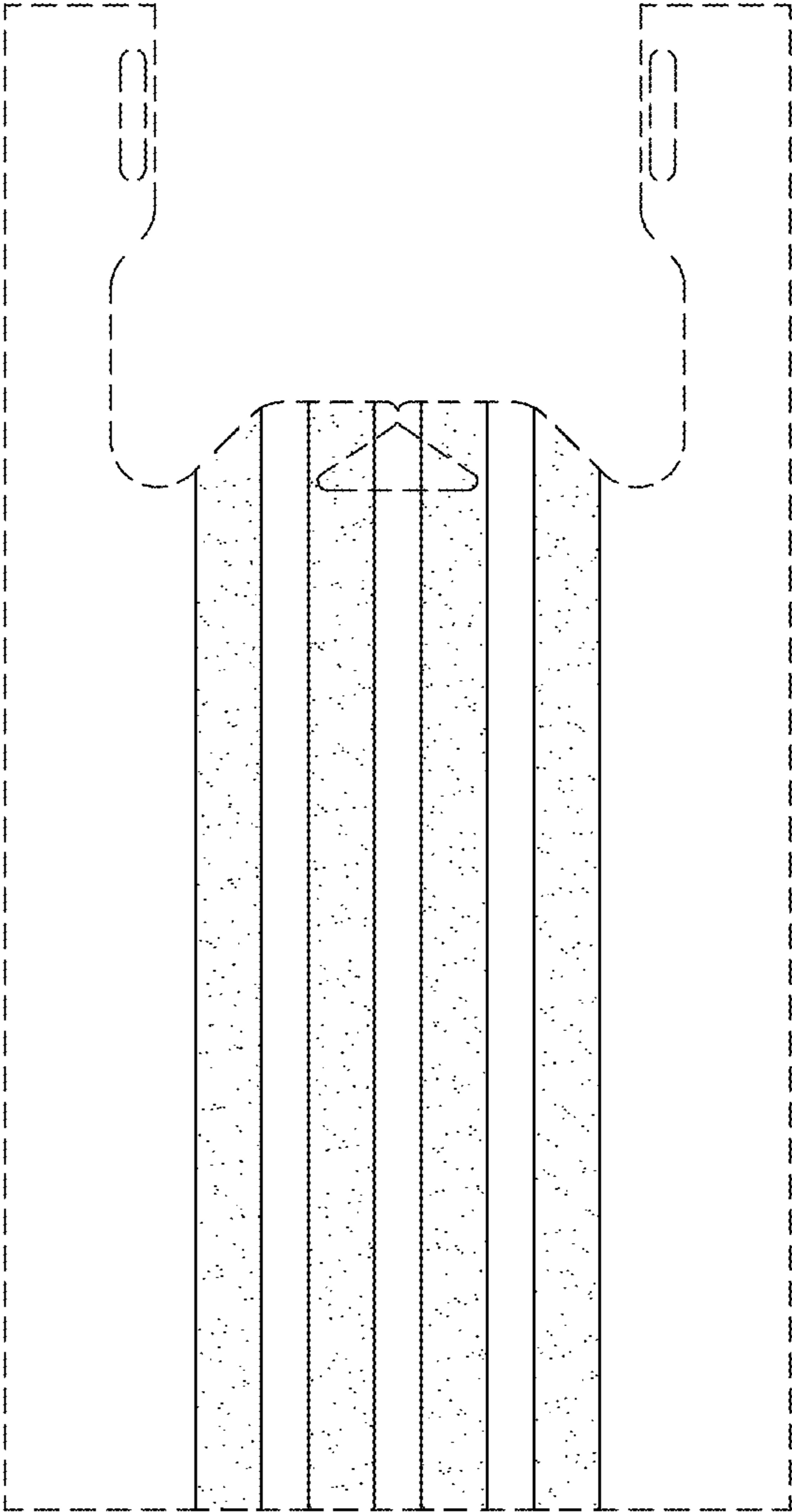


FIG. 4

