



US00D918731S

(12) **United States Design Patent** (10) **Patent No.:** **US D918,731 S**
Carroll et al. (45) **Date of Patent:** **** May 11, 2021**

(54) **AEROSOL DISPENSER**
(71) Applicant: **Conopco, Inc.**, Englewood Cliffs, NJ (US)
(72) Inventors: **Jack Carroll**, Bristol (GB); **Christopher Michael Kilbane**, Bristol (GB); **Benjamin George Oglesby**, Leeds (GB); **Benjamin Harry Cullis Watson**, Bristol (GB)
(73) Assignee: **Conopco, Inc.**, Englewood Cliffs, NJ (US)

D209,427 S * 11/1967 Charles D9/448
3,429,483 A 2/1969 Micalleff
D220,941 S * 6/1971 Usen D9/688
3,608,785 A 9/1971 Durso et al.
D244,431 S * 5/1977 Butcher D9/448
5,027,982 A * 7/1991 Demarest B65D 83/40
222/182
D335,817 S * 5/1993 Greubel D9/688
6,145,704 A * 11/2000 Geier B65D 83/206
222/153.06
D474,403 S * 5/2003 Fahy D9/448
6,824,025 B1 * 11/2004 Ruble A62C 3/16
137/625.48
D581,788 S * 12/2008 Van Well D9/448
D684,673 S * 6/2013 Caroen D23/366

(**) Term: **15 Years**

(21) Appl. No.: **29/718,040**

(22) Filed: **Dec. 20, 2019**

(30) **Foreign Application Priority Data**

Jun. 28, 2019 (EM) 006604310-0001
Jun. 28, 2019 (EM) 006604310-0002

(51) **LOC (13) Cl.** **09-01**
(52) **U.S. Cl.**
USPC **D9/688**

(58) **Field of Classification Search**
USPC D9/682-694, 762, 772, 773, 504, 434,
D9/435, 445, 448
CPC B65D 83/14-759; B05B 11/00-3098
See application file for complete search history.

(56) **References Cited**

U.S. PATENT DOCUMENTS

D199,208 S * 9/1964 Harris D9/448
D200,606 S * 3/1965 Koenigsberg D9/448
3,195,783 A * 7/1965 Crowell B65D 83/205
222/402.13
3,198,399 A 8/1965 Sagarin
D206,690 S * 1/1967 Plzzurro D9/448

FOREIGN PATENT DOCUMENTS

FR 844877-003 * 1/1985 9/7
GB 1036457 * 2/1987 9/7

(Continued)

Primary Examiner — Catherine A Tuttle
(74) *Attorney, Agent, or Firm* — Greenberg Traurig, LLP

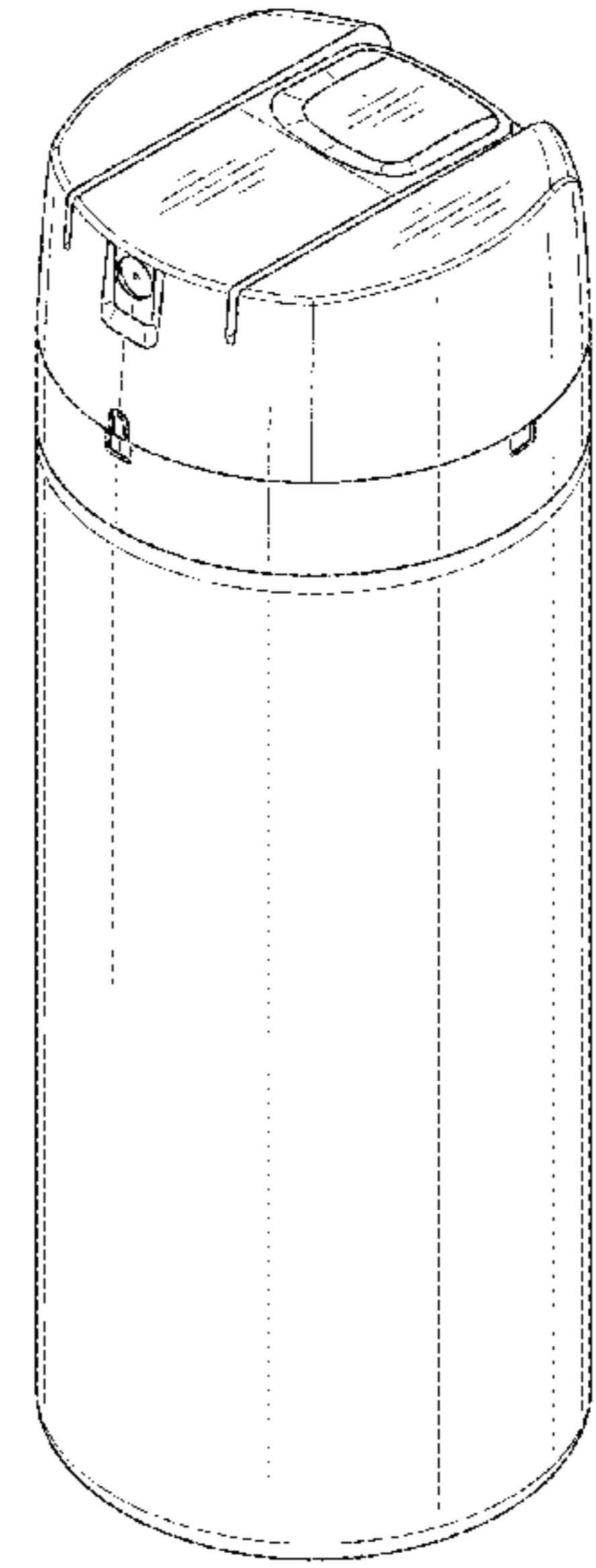
(57) **CLAIM**

The ornamental design for an aerosol dispenser, as shown and described.

DESCRIPTION

FIG. 1 is a top, front and side perspective view of an aerosol dispenser showing my new design;
FIG. 2 is a front elevational view thereof;
FIG. 3 is a rear elevational view thereof;
FIG. 4 is a right side elevational view thereof;
FIG. 5 is left side elevational view thereof;
FIG. 6 is a top plan view thereof; and,
FIG. 7 is a bottom plan view thereof.
The broken lines define the portion of the aerosol dispenser that form no part of the claimed design.

1 Claim, 4 Drawing Sheets



(56)

References Cited

U.S. PATENT DOCUMENTS

D685,074 S * 6/2013 Caroen D23/366
D689,997 S * 9/2013 Caroen D23/366
D882,409 S * 4/2020 Wong D9/686
2010/0012680 A1 1/2010 Canfield et al.
2012/0031925 A1* 2/2012 Greenberg B65D 83/68
222/135
2014/0061243 A1* 3/2014 Goettke B05B 11/3001
222/182
2014/0231467 A1* 8/2014 Betts B65D 83/22
222/402.11
2017/0349328 A1* 12/2017 Borneman B65D 83/38
2017/0349360 A1* 12/2017 Paul B65D 83/28

FOREIGN PATENT DOCUMENTS

KR 300993716.0000 * 2/2019 9/7
WO D025679-001 * 5/1993 9/7
WO WO2019156261 8/2019

* cited by examiner

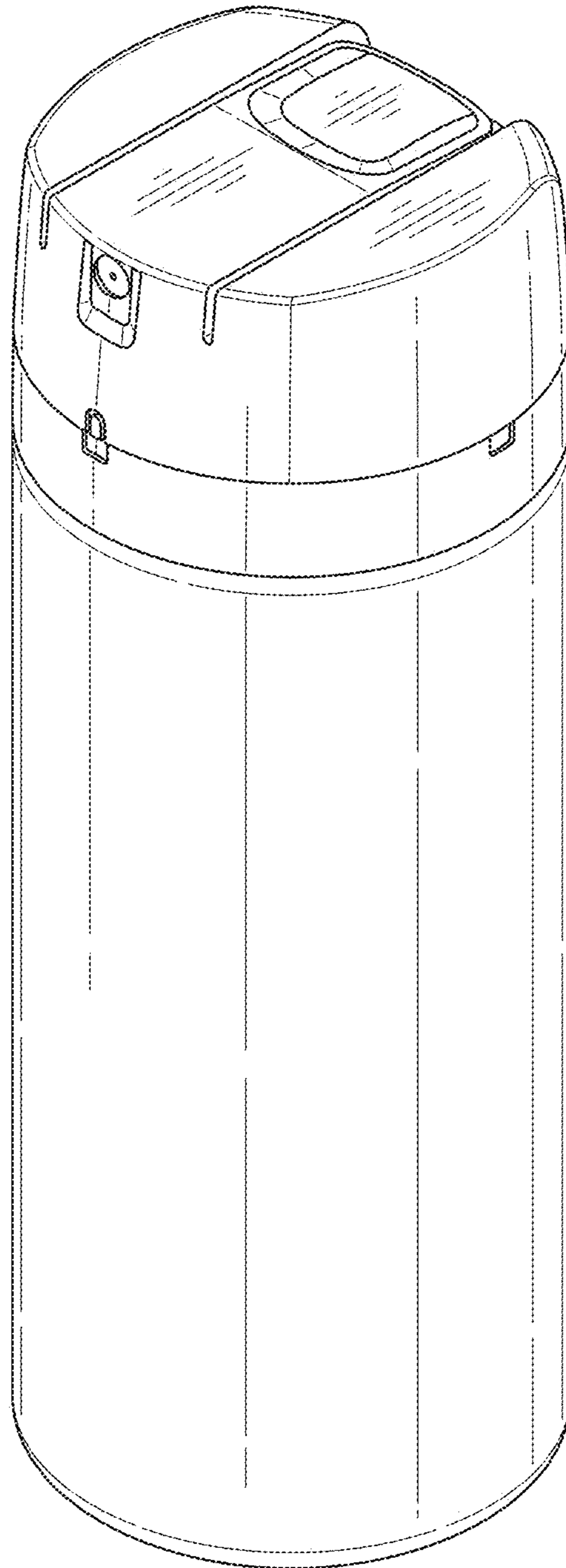


Fig. 1

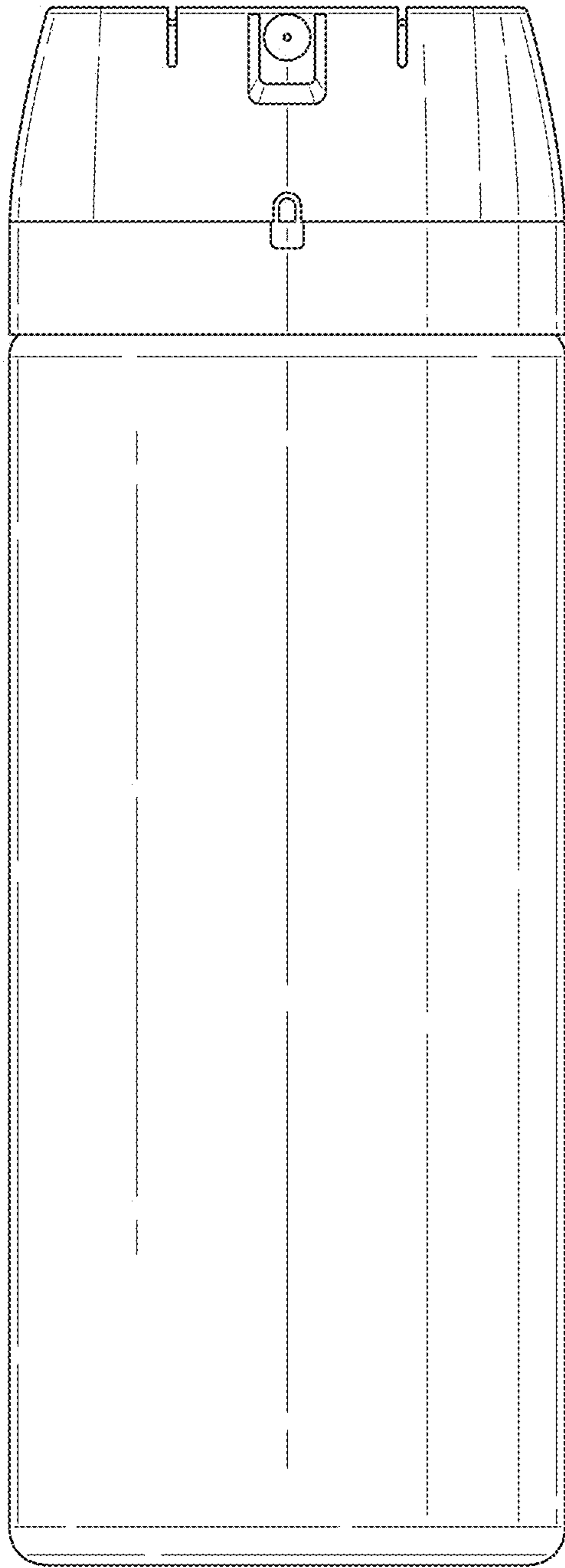


Fig. 2

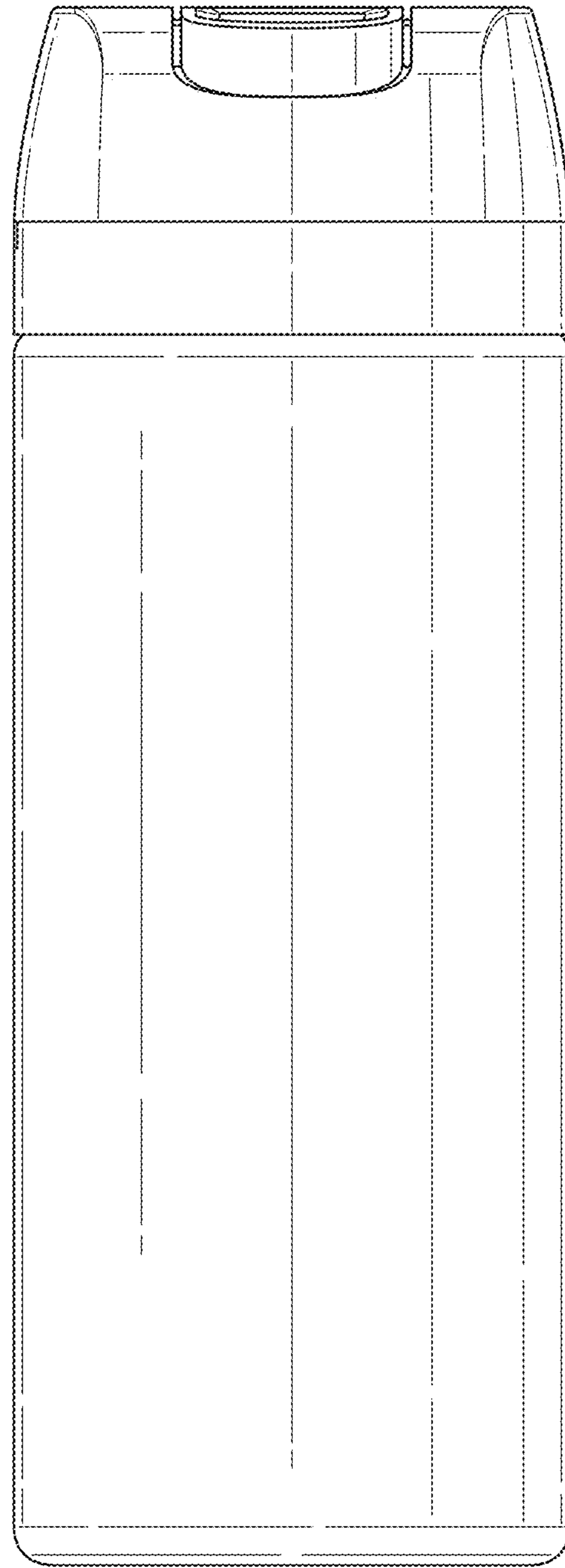


Fig. 3

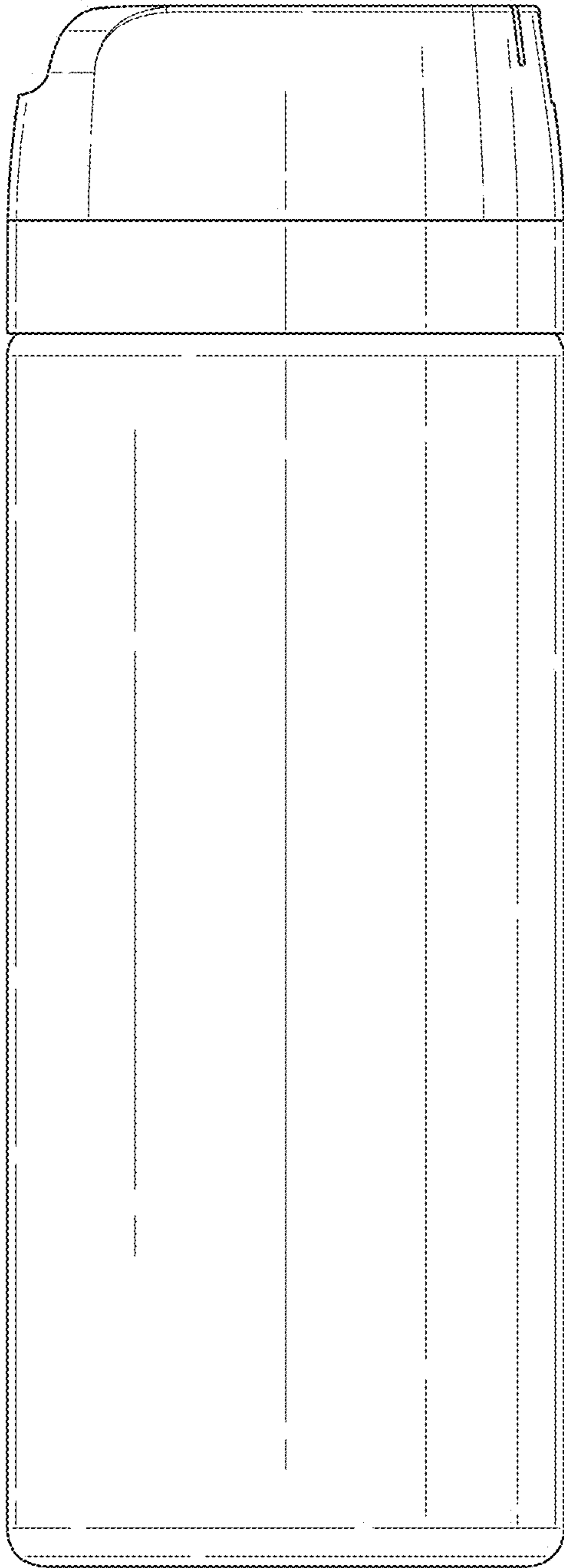


Fig. 4

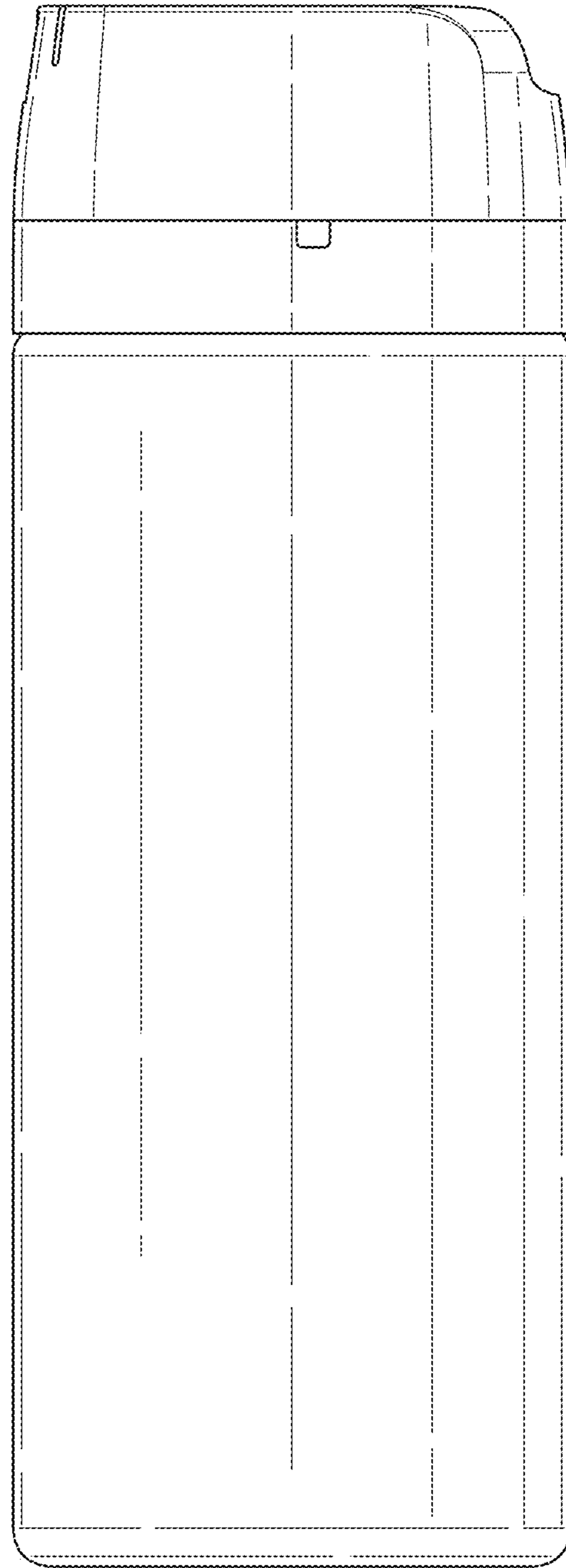


Fig. 5

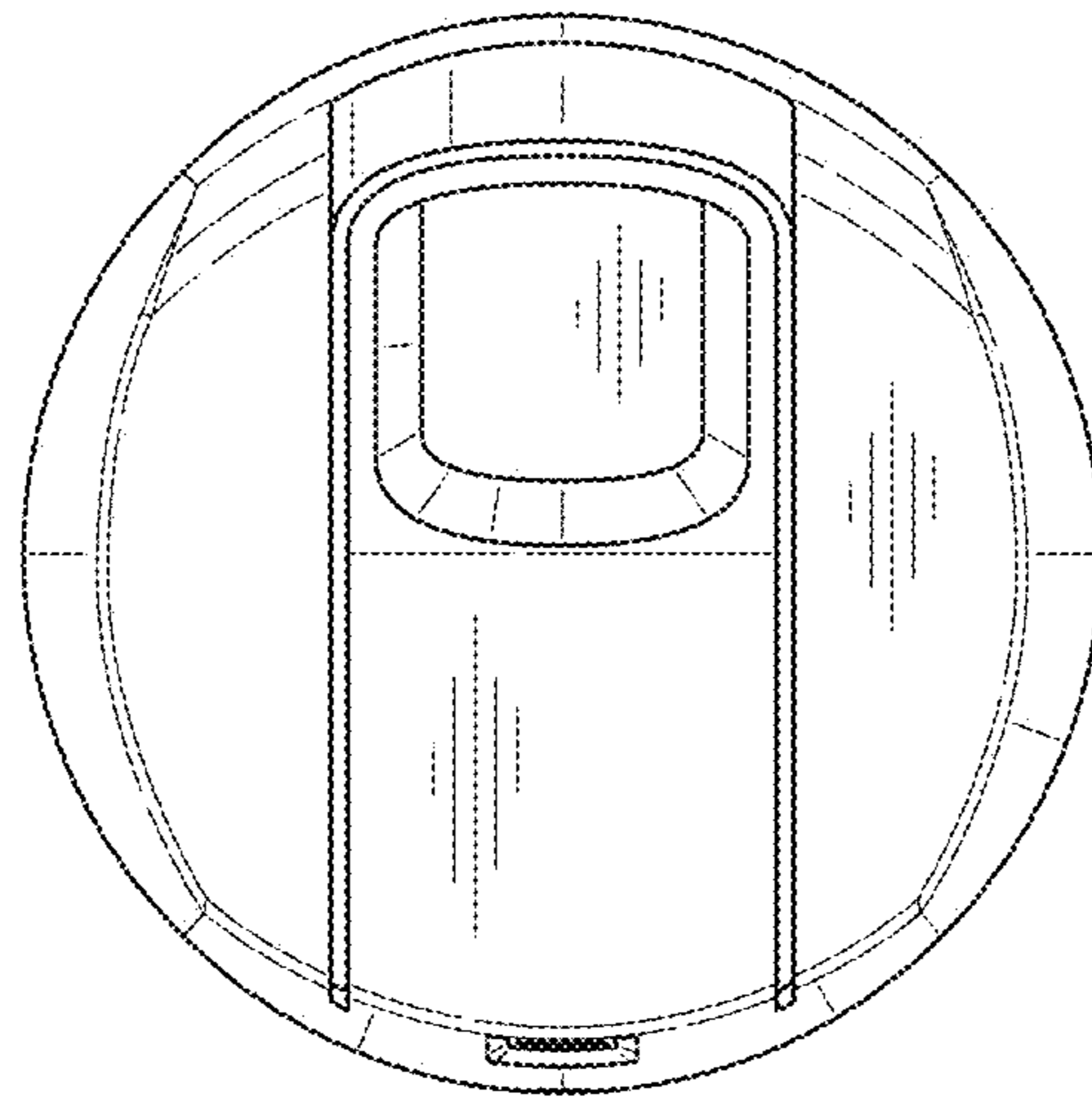


Fig. 6

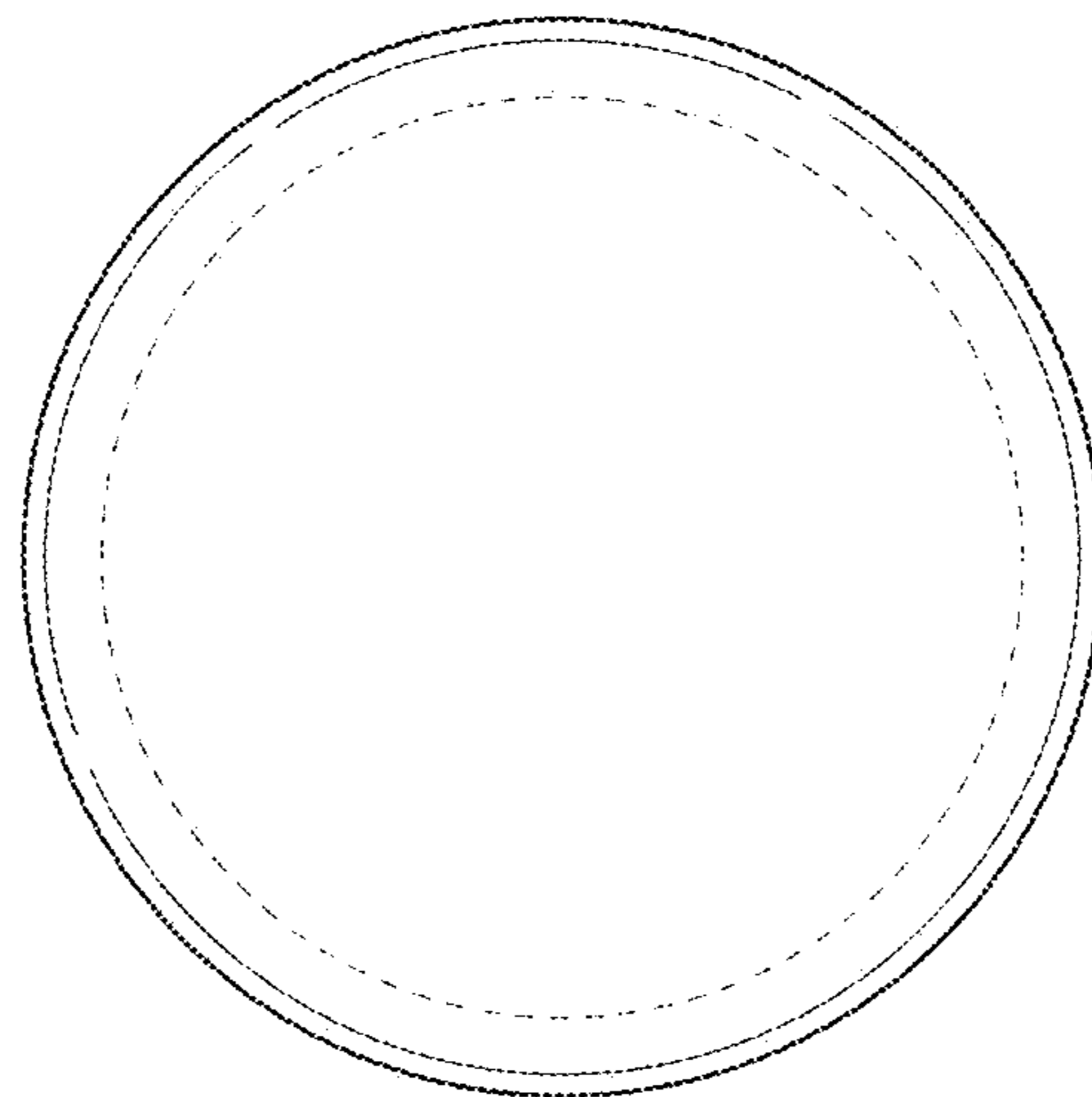


Fig. 7