



US00D918730S

(12) **United States Design Patent**
Van Den Bergh et al.

(10) **Patent No.:** **US D918,730 S**
(45) **Date of Patent:** **** May 11, 2021**

(54) **BOTTLE WITH SPRAY HEAD**

(71) Applicant: **The Procter & Gamble Company**,
Cincinnati, OH (US)
(72) Inventors: **Pieter Dirk Jenny Maria Van Den Bergh**, St. Martens Latem (BE);
Richard Hagee, Cincinnati, OH (US);
Mark Armstrong, London (GB)
(73) Assignee: **The Procter & Gamble Company**,
Cincinnati, OH (US)

(**) Term: **15 Years**
(21) Appl. No.: **29/695,723**
(22) Filed: **Jun. 21, 2019**

(30) **Foreign Application Priority Data**

Dec. 21, 2018 (WO) 970003723

(51) **LOC (13) Cl.** **09-01**

(52) **U.S. Cl.**
USPC **D9/685; D9/575**

(58) **Field of Classification Search**
USPC D9/434, 435, 448, 454, 516, 517, 529,
D9/539, 540, 549, 550, 552, 558, 571,
D9/574, 575, 682, 685

(Continued)

(56) **References Cited**

U.S. PATENT DOCUMENTS

D205,731 S 9/1966 Levy
D205,798 S 9/1966 Le Roy
(Continued)

FOREIGN PATENT DOCUMENTS

WO 2018134632 A1 7/2018

OTHER PUBLICATIONS

All Office Actions, U.S. Appl. No. 29/695,722.

(Continued)

Primary Examiner — Shannon W Morgan

Assistant Examiner — Keith Frank

(74) *Attorney, Agent, or Firm* — Melissa Krasovec

(57) **CLAIM**

The ornamental design for a bottle with spray head, as shown and described above.

DESCRIPTION

FIG. 1 is a perspective view of a first embodiment of a bottle with spray head;

FIG. 2 is a front view of the embodiment of a bottle with spray head shown in FIG. 1;

FIG. 3 is a back view of the embodiment of a bottle with spray head shown in FIG. 1;

FIG. 4 is a right side view of the embodiment of a bottle with spray head shown in FIG. 1;

FIG. 5 is a left side view of the embodiment of a bottle with spray head shown in FIG. 1;

FIG. 6 is a top view of the embodiment of a bottle with spray head shown in FIG. 1;

FIG. 7 is a perspective view of a second embodiment of a bottle with spray head;

FIG. 8 is a front view of the embodiment of a bottle with spray head shown in FIG. 7;

FIG. 9 is a back view of the embodiment of a bottle with spray head shown in FIG. 7;

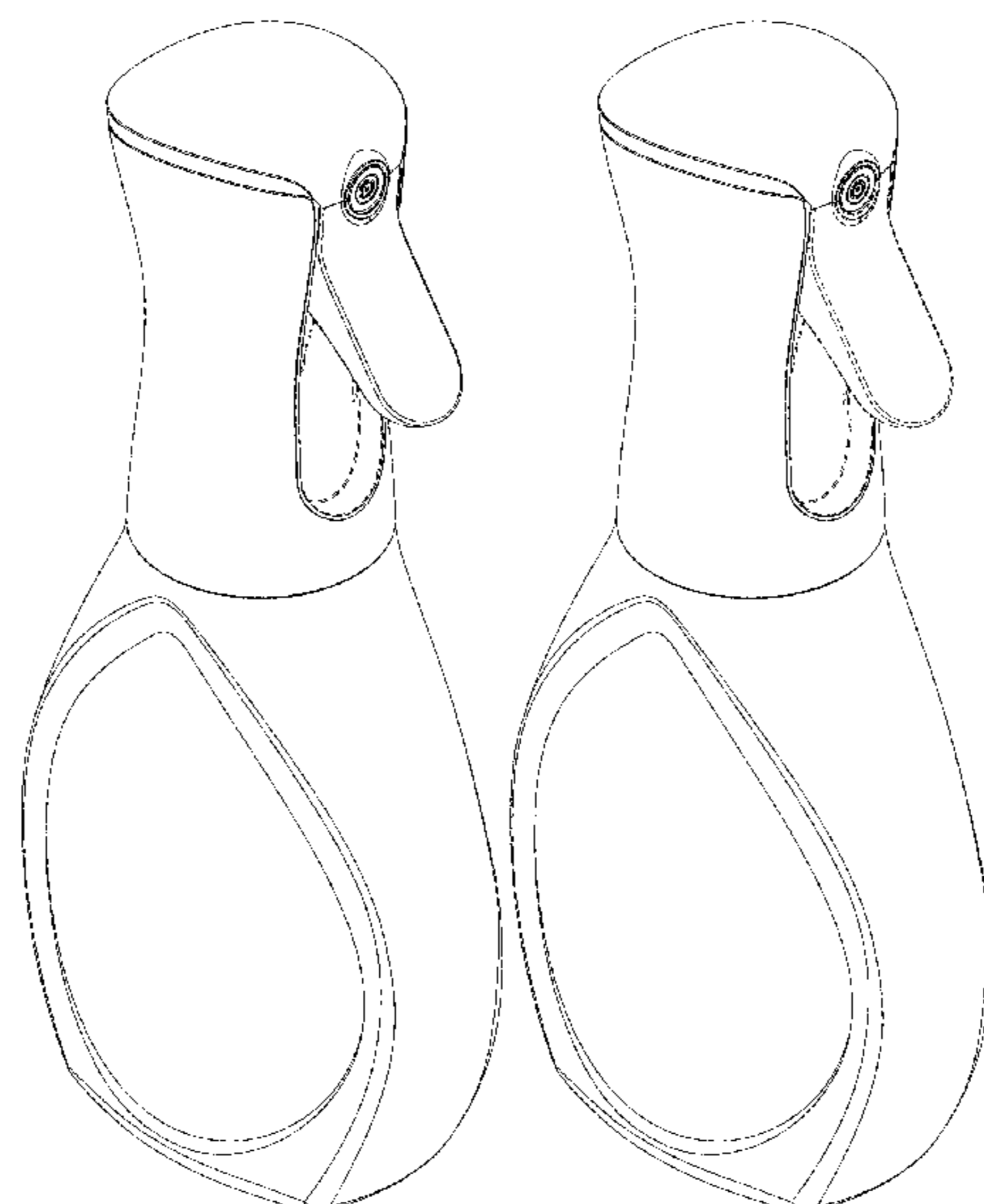
FIG. 10 is a right side view of the embodiment of a bottle with spray head shown in FIG. 7;

FIG. 11 is a left side view of the embodiment of a bottle with spray head shown in FIG. 7; and,

FIG. 12 is a top view of the embodiment of a bottle with spray head as shown in FIG. 7.

The broken lines in the drawings showing the bottle with spray head illustrate the portions of the bottle with spray head that form no part of the claimed design.

1 Claim, 12 Drawing Sheets



(58) **Field of Classification Search**

CPC B05B 11/3057; B05B 11/0037; B65D
1/0223; B65D 2501/0081; B65D 1/32;
B65D 1/0246

See application file for complete search history.

(56) **References Cited**

U.S. PATENT DOCUMENTS

D259,182 S 5/1981 Polkingharn
5,341,965 A 8/1994 Maas
D376,318 S 12/1996 Hildebrand
D421,718 S 3/2000 Bodker
D446,721 S 8/2001 Kimble
D454,306 S 3/2002 Sweeton
D454,778 S 3/2002 Siebert
D468,194 S 1/2003 Siebert
D532,299 S 11/2006 Kuo
D534,077 S 12/2006 Paas
D539,143 S * 3/2007 Arminak D9/448
D558,590 S 1/2008 Cowan-Hughes
D570,214 S 6/2008 Foster
D582,272 S 12/2008 Cichy
D583,677 S 12/2008 Harrison
D588,456 S 3/2009 Dejong
D589,795 S 4/2009 Sweeton
D591,612 S 5/2009 Ames
D595,575 S 7/2009 Cichy
D597,847 S 8/2009 Floyd
D617,193 S 6/2010 Casey
D622,143 S 8/2010 Hildebrand
D646,575 S * 10/2011 Davis D9/530
D654,371 S * 2/2012 Geeraert D9/685
D660,150 S 5/2012 Fournet
D661,187 S 6/2012 Baranowski
D672,240 S 12/2012 Baranowski
D674,695 S 1/2013 Thurin
D674,706 S 1/2013 Birdwell
D679,193 S 4/2013 Scott
D698,660 S * 2/2014 Maas D9/689
D704,067 S 5/2014 Scott
D705,651 S 5/2014 Neumann
D736,640 S 8/2015 Ozamis
D742,231 S 11/2015 Auth
D746,135 S 12/2015 Lind
D755,046 S * 5/2016 Bramwell D9/448

D759,491 S 6/2016 Mazur
D761,650 S 7/2016 Hoeke
D788,595 S * 6/2017 Bontorno D9/600
D788,596 S * 6/2017 Bontorno D9/606
D788,597 S * 6/2017 Bontorno D9/610
D794,469 S 8/2017 Yen
D807,752 S * 1/2018 Koelsche D9/523
D820,001 S 6/2018 Cannamela
D821,212 S 6/2018 Cannamela
D821,213 S 6/2018 Mazzei
D821,214 S 6/2018 Mazur
D821,882 S * 7/2018 Cannamela D9/529
D821,883 S 7/2018 Cannamela
D822,486 S 7/2018 Clarke
D822,493 S * 7/2018 Cannamela D9/529
D823,023 S * 7/2018 Cannamela D9/686
D830,194 S * 10/2018 Maas D9/685
10,328,447 B1 * 6/2019 Vandenberg B05B 15/16
D852,624 S 7/2019 Audet
D866,325 S * 11/2019 Tu D9/448
D867,135 S * 11/2019 Tu D9/448
D867,136 S * 11/2019 Tu D9/448
D871,912 S 1/2020 McGann
D873,137 S 1/2020 Takizawa
D873,663 S 1/2020 Browell
D875,526 S 2/2020 Bos
D878,206 S 3/2020 Natersky
D883,795 S * 5/2020 Yourist D9/530
2003/0000961 A1 * 1/2003 Klima B05B 11/0097
222/83.5
2005/0173560 A1 * 8/2005 Bitowft B05B 11/3095
239/302
2005/0233915 A1 * 10/2005 Smith C11D 3/0094
510/130
2011/0108583 A1 5/2011 Sell
2012/0048959 A1 3/2012 Maas
2013/0140333 A1 6/2013 Sell
2013/0153607 A1 6/2013 Sell
2019/0232311 A1 * 8/2019 Hoefte B05B 15/14

OTHER PUBLICATIONS

All Office Actions, U.S. Appl. No. 29/695,724.
All Office Actions; U.S. Appl. No. 29/695,718.
All Office Actions; U.S. Appl. No. 29/695,719.
All Office Actions; U.S. Appl. No. 29/695,721.

* cited by examiner

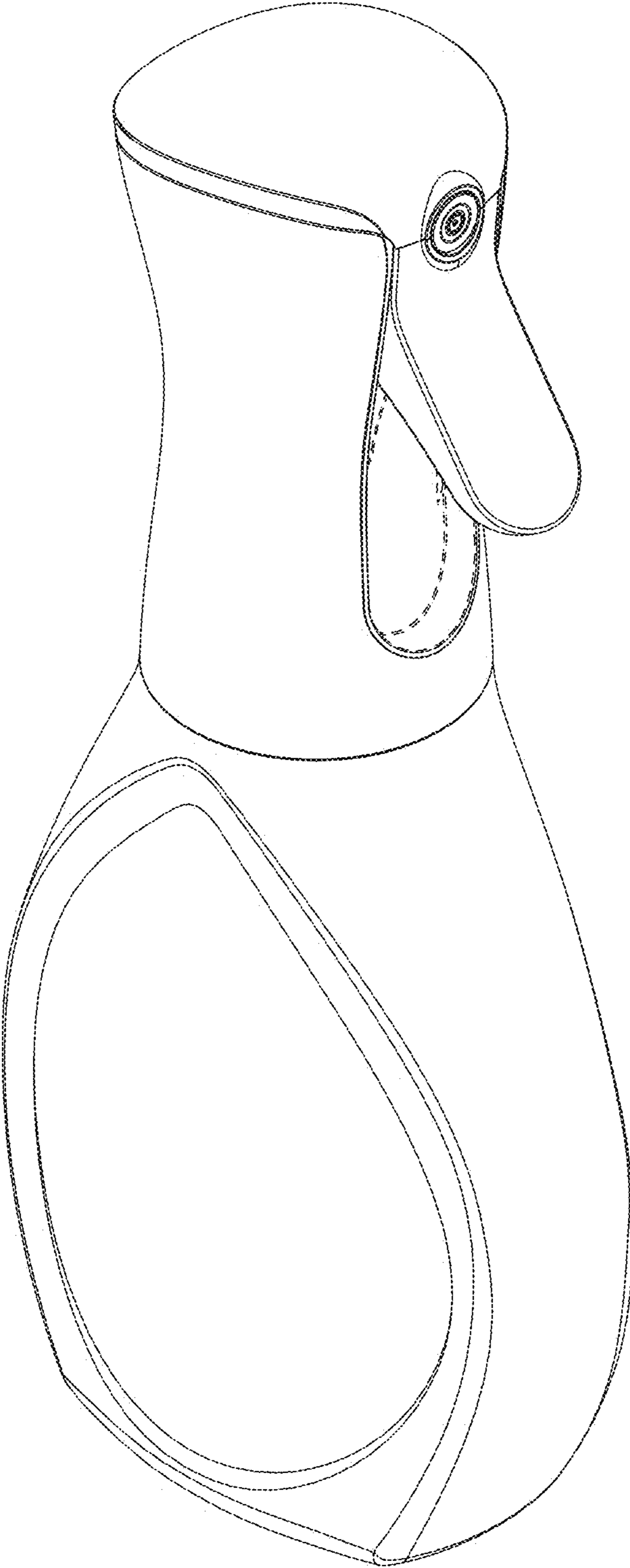


FIG. 1

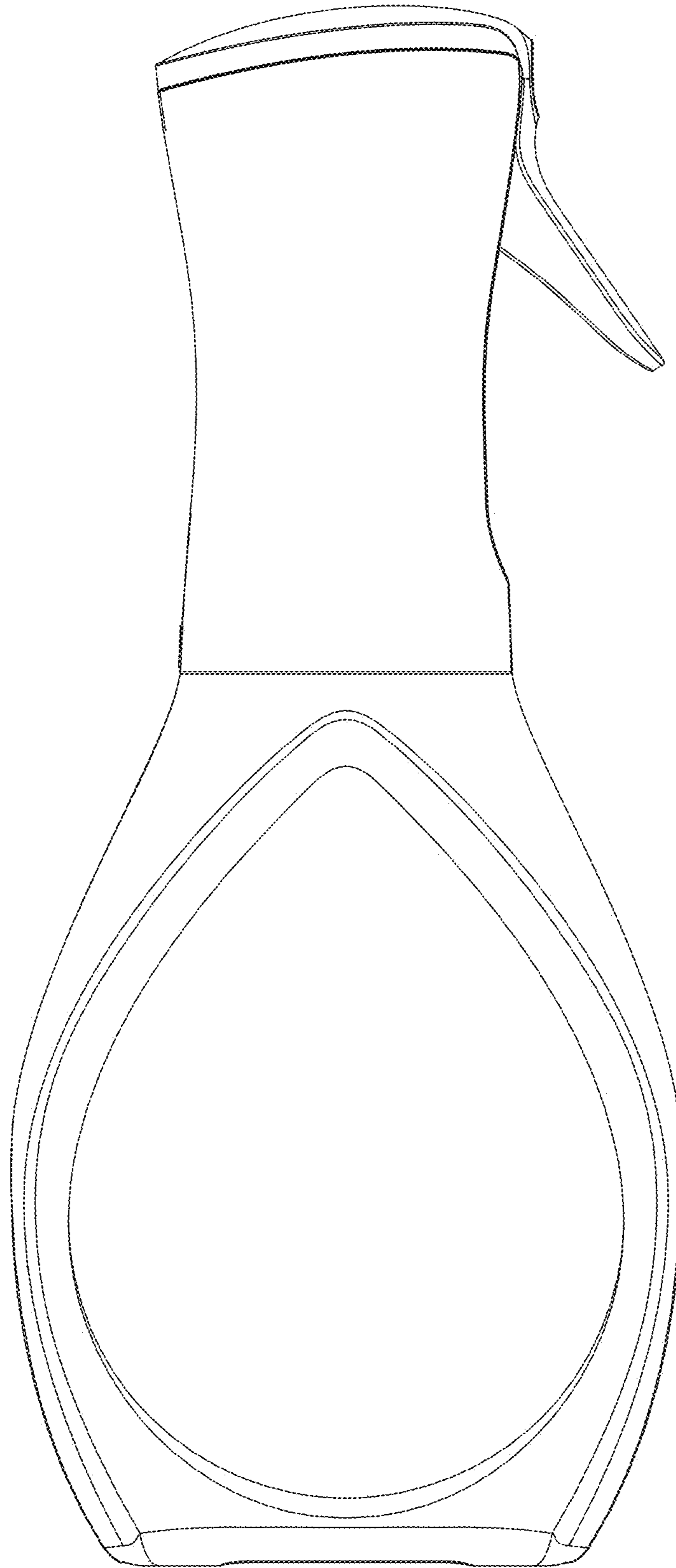


FIG. 2

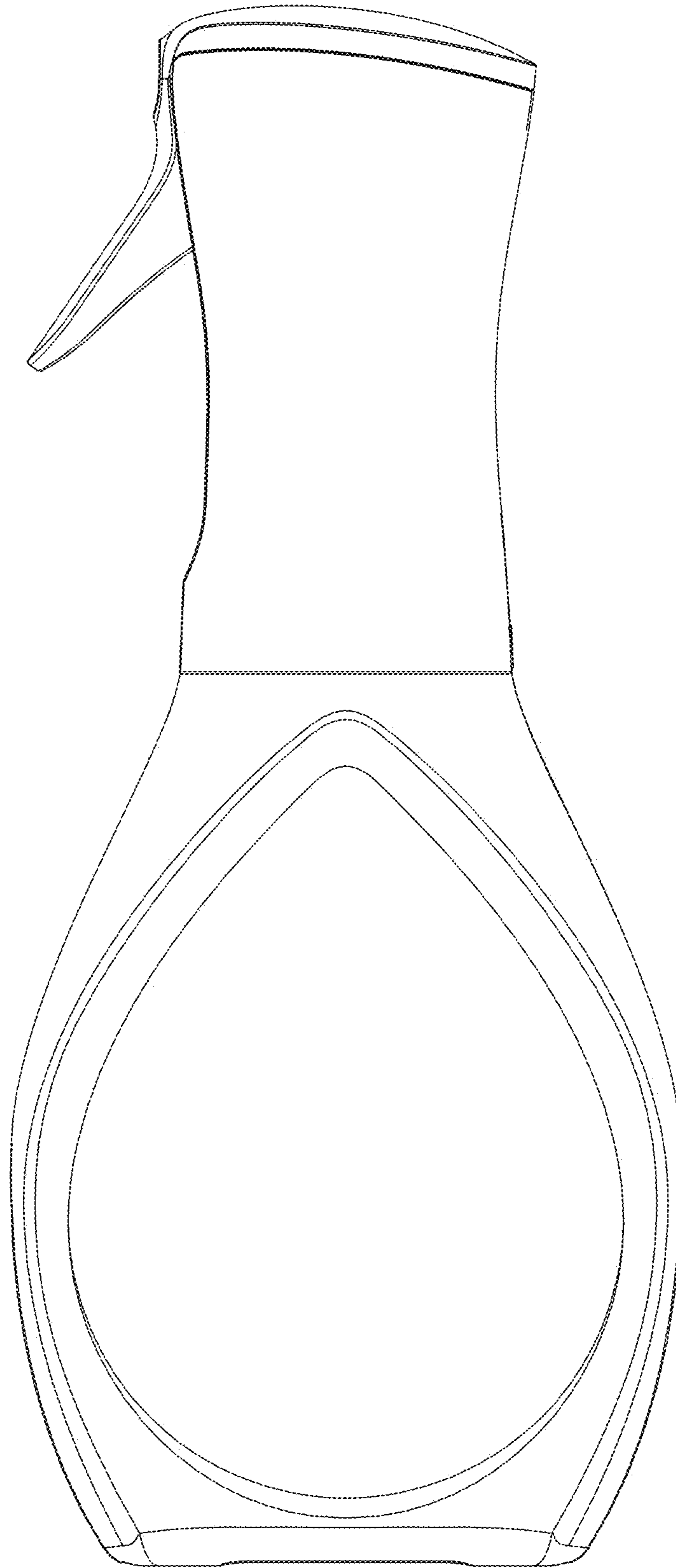


FIG. 3

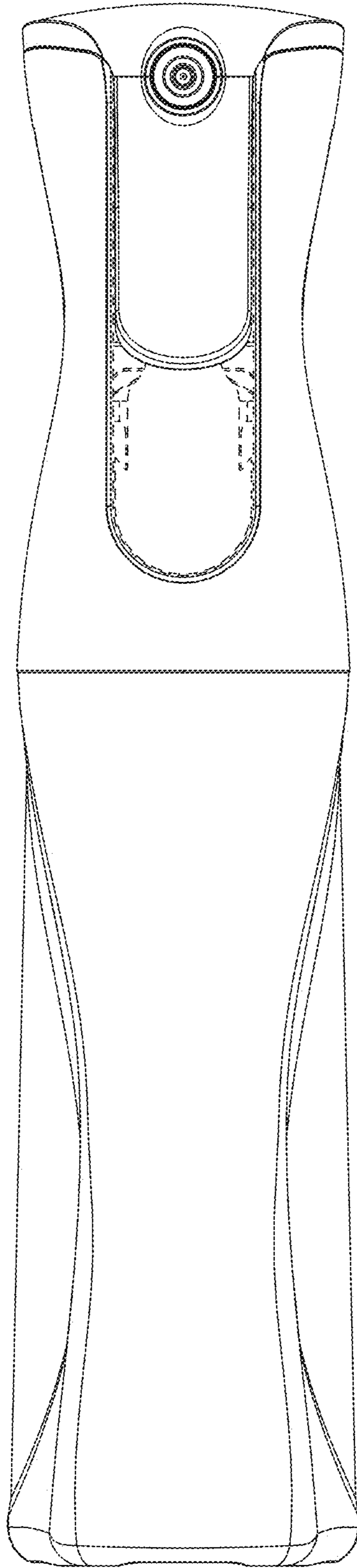


FIG. 4

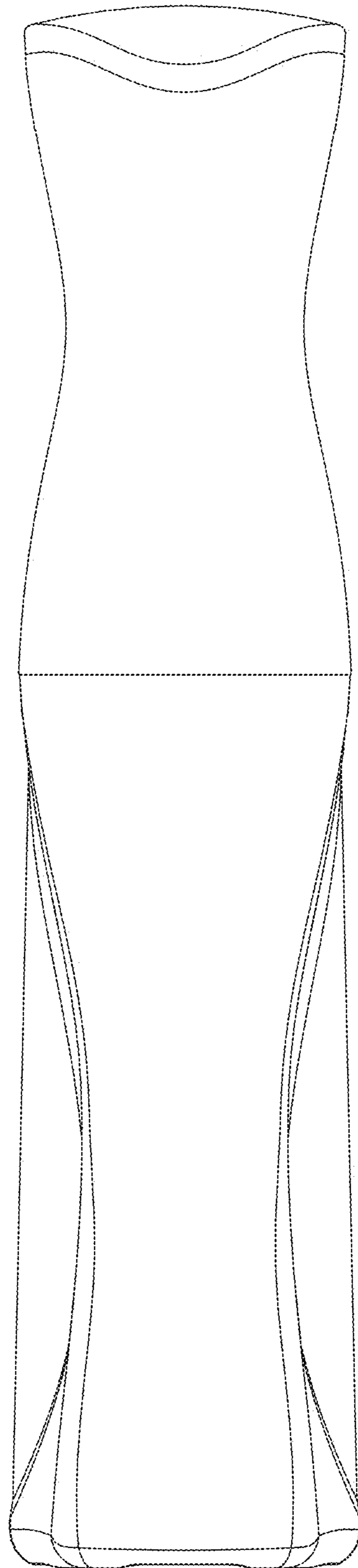


FIG. 5

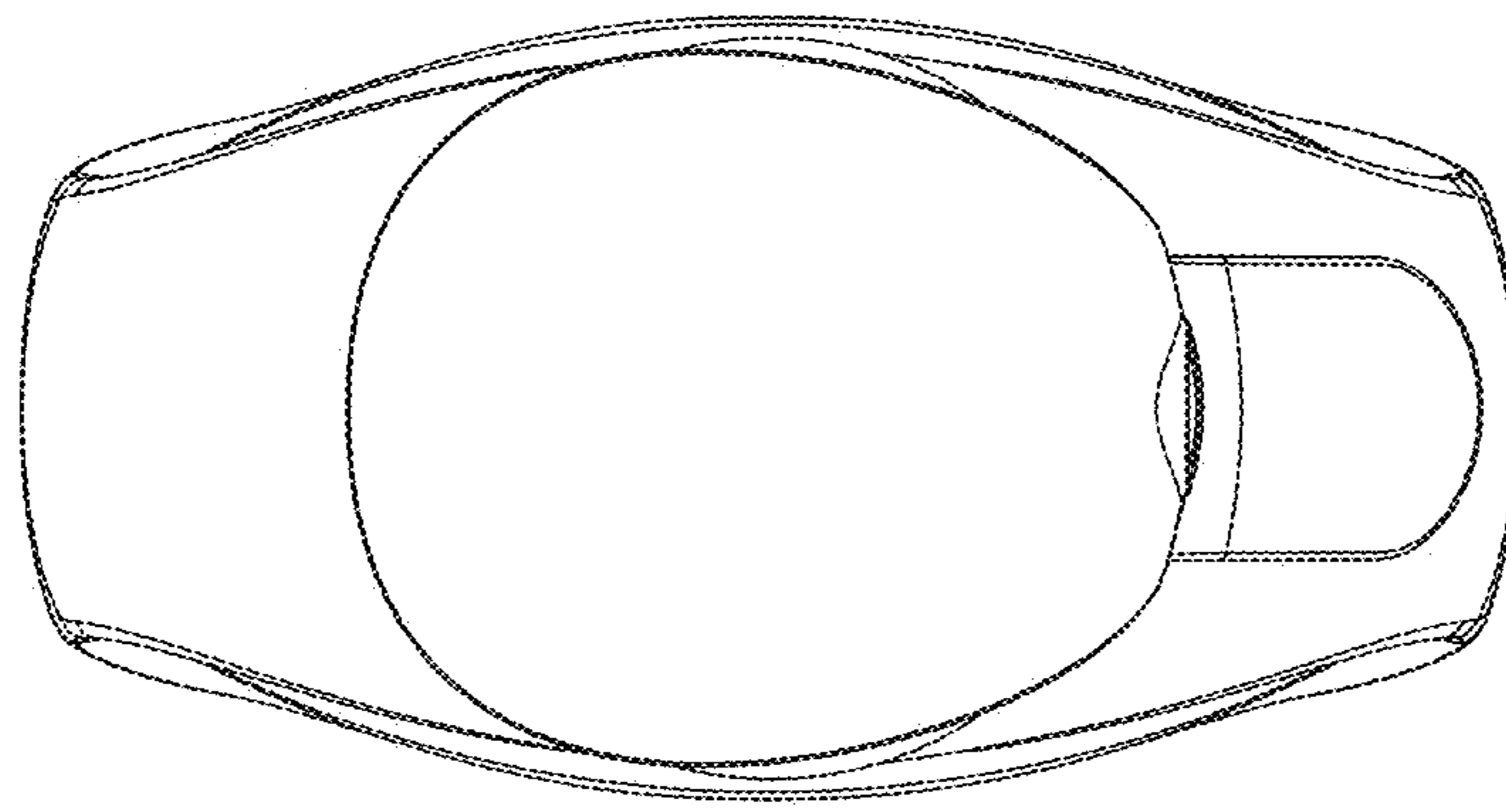


FIG. 6

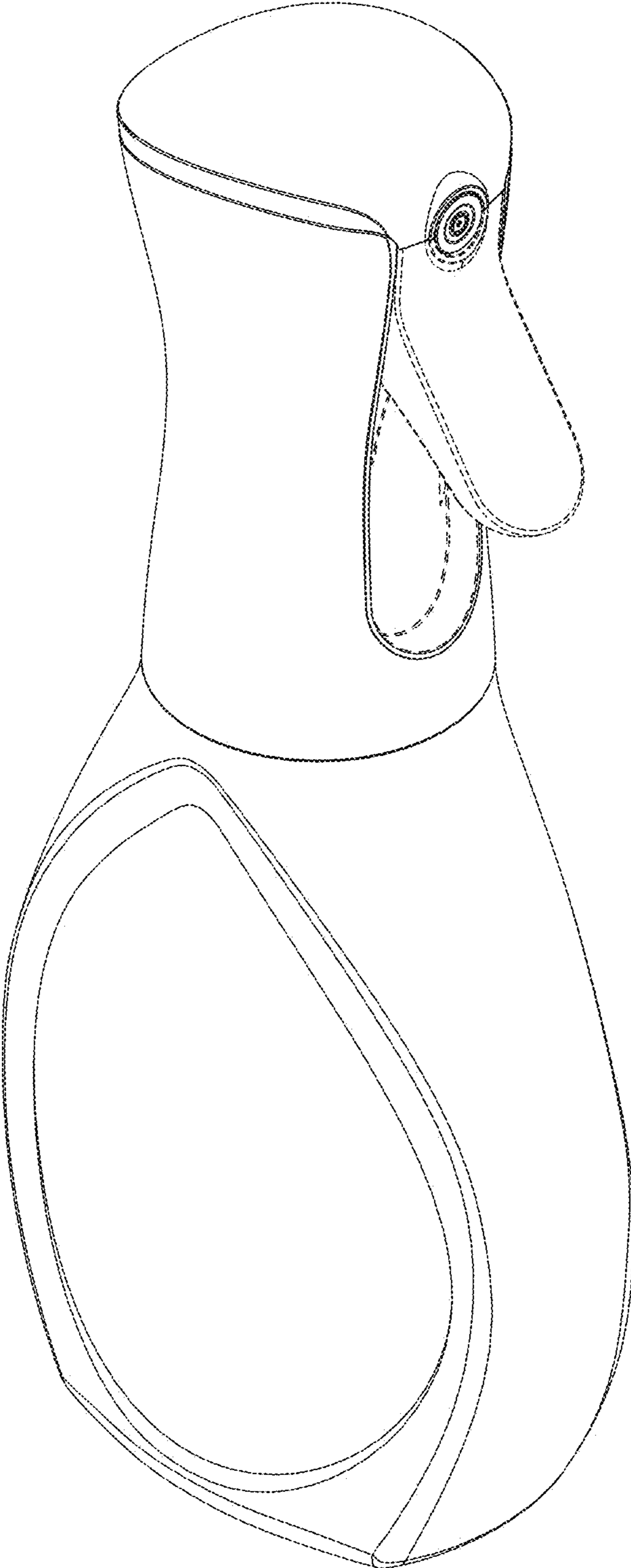


FIG. 7

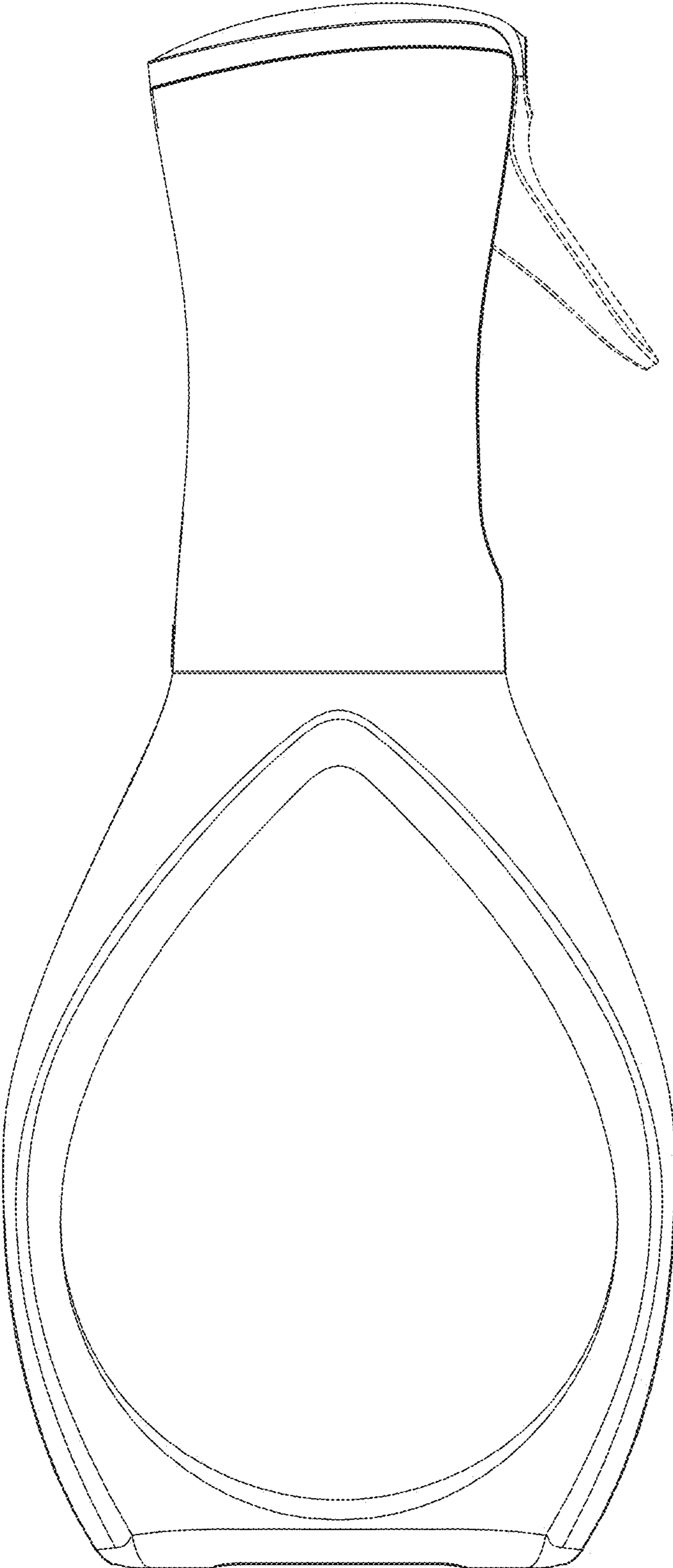


FIG. 8

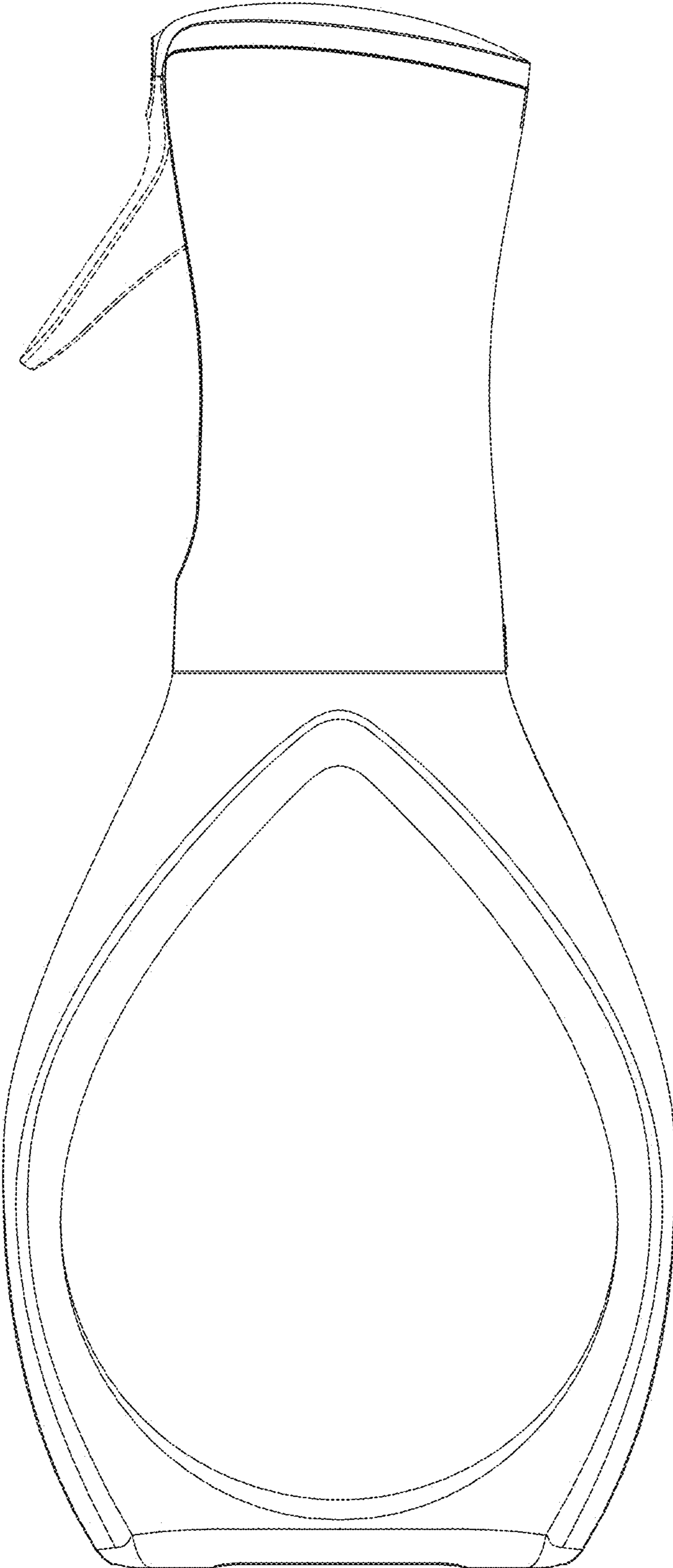


FIG. 9

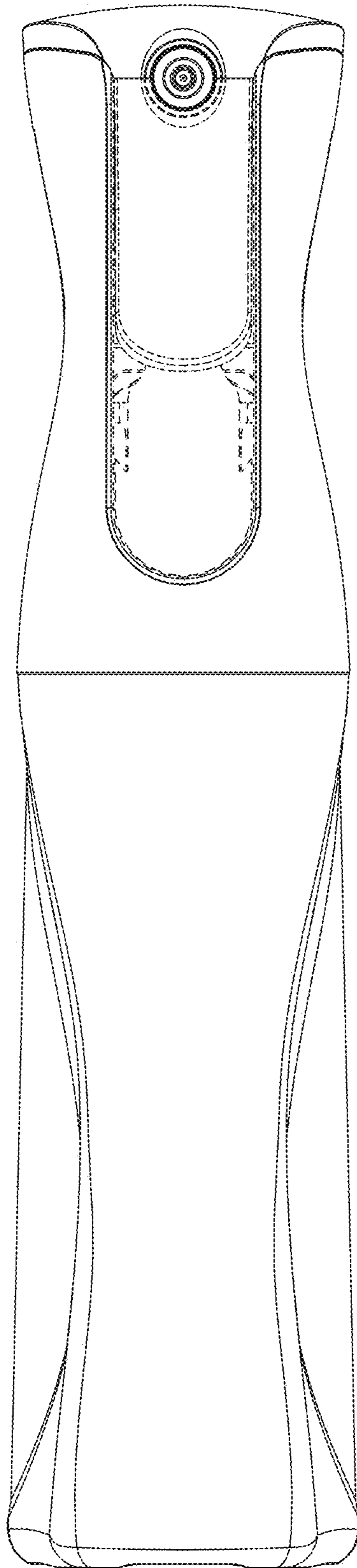


FIG. 10

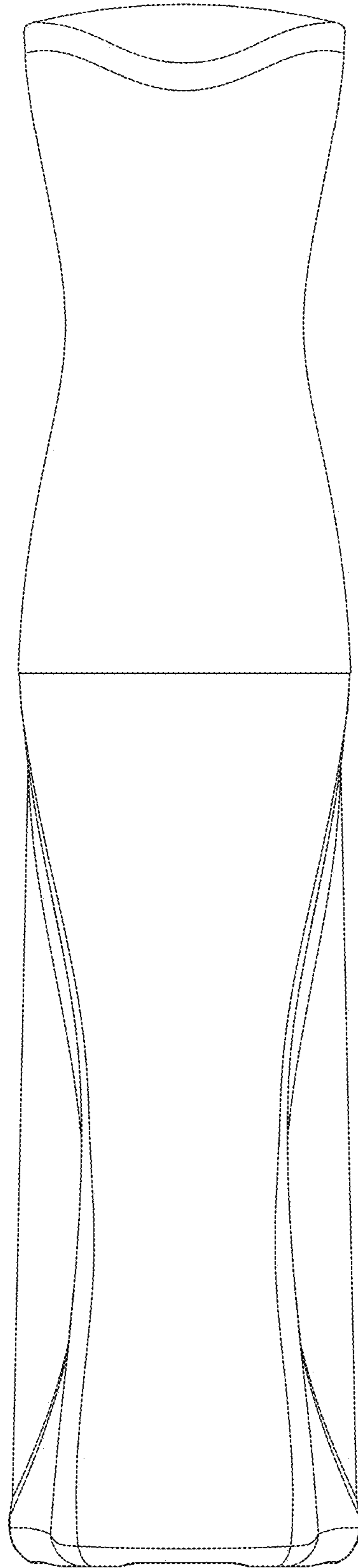


FIG. 11

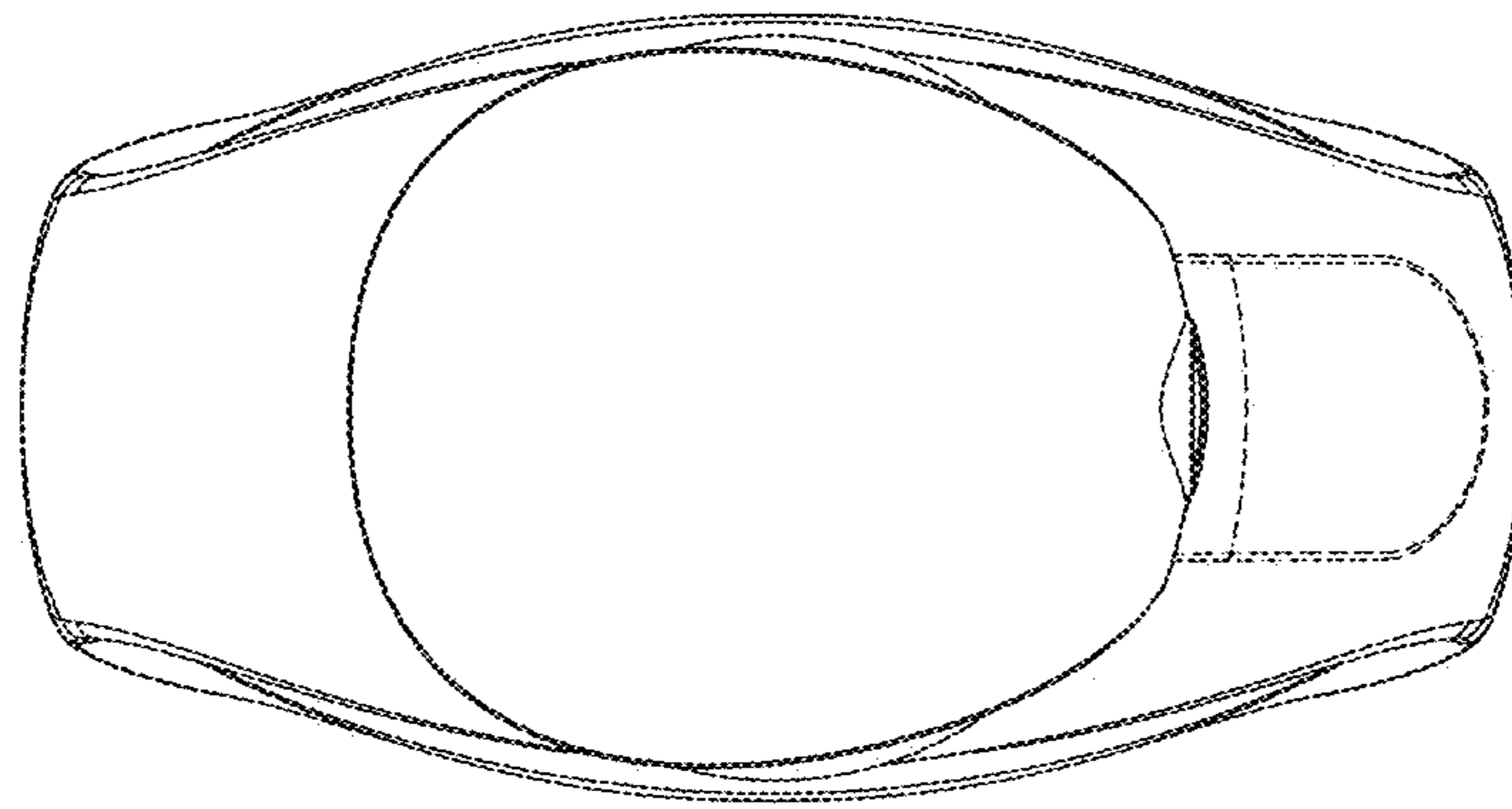


FIG. 12