



US00D918727S

(12) **United States Design Patent** (10) **Patent No.:** **US D918,727 S**
Blachford et al. (45) **Date of Patent:** **** May 11, 2021**

(54) **DISPENSING BOTTLE**

(56) **References Cited**

(71) Applicant: **GlaxoSmithKline Consumer Healthcare (UK) IP Limited**, Brentford (GB)

U.S. PATENT DOCUMENTS

(72) Inventors: **Marcus James Blachford**, Warwickshire (GB); **Alex Brian**, Surrey (GB); **Martin Crofton**, Warwickshire (GB); **Michael George**, Warwickshire (GB); **Daniel Paul Salisbury**, Warwickshire (GB)

D235,311 S *	6/1975	Cramer	D9/529
D337,948 S *	8/1993	Reif	D9/540
D356,505 S *	3/1995	Gonda	D9/540
D462,273 S *	9/2002	Crawford	D9/542
D463,981 S *	10/2002	Crawford	D9/530
D535,887 S *	1/2007	Haubert, III	D9/558
D545,195 S *	6/2007	Costello	D9/516
D545,196 S *	6/2007	Costello	D9/516
D546,189 S *	7/2007	Costello	D9/542
D646,979 S *	10/2011	Shaw	D9/542
D656,839 S *	4/2012	Shaw	D9/682
D674,701 S *	1/2013	Claassen	D9/542
D683,628 S *	6/2013	Claassen	D9/542
D746,146 S *	12/2015	Wilkum	D9/549
D808,269 S *	1/2018	Colombo	D9/530
D808,270 S *	1/2018	Colombo	D9/530
D808,276 S *	1/2018	Gerhards	D9/542
D842,704 S *	3/2019	Gerhards	D9/542
D887,848 S *	6/2020	Lee	D9/542

(73) Assignee: **GlaxoSmithKline Consumer Healthcare (UK) IP Limited**, Brentford (GB)

(**) Term: **15 Years**

* cited by examiner

(21) Appl. No.: **29/645,544**

Primary Examiner — Dana Meyrow

(22) Filed: **Apr. 27, 2018**

(74) *Attorney, Agent, or Firm* — Roshni A. Sitapara

(30) **Foreign Application Priority Data**

(57) **CLAIM**

Nov. 3, 2017 (GB) 6021321

The ornamental design for a dispensing bottle, as shown and described.

(51) **LOC (13) Cl.** **09-01**

DESCRIPTION

(52) **U.S. Cl.**

USPC **D9/552**; D9/530

FIG. 1 is a front perspective view from top and right side; FIG. 2 is a front view; FIG. 3 is a back view; FIG. 4 is a left side view; FIG. 5 is a right side view; FIG. 6 is a top view; and, FIG. 7 is a bottom view.

(58) **Field of Classification Search**

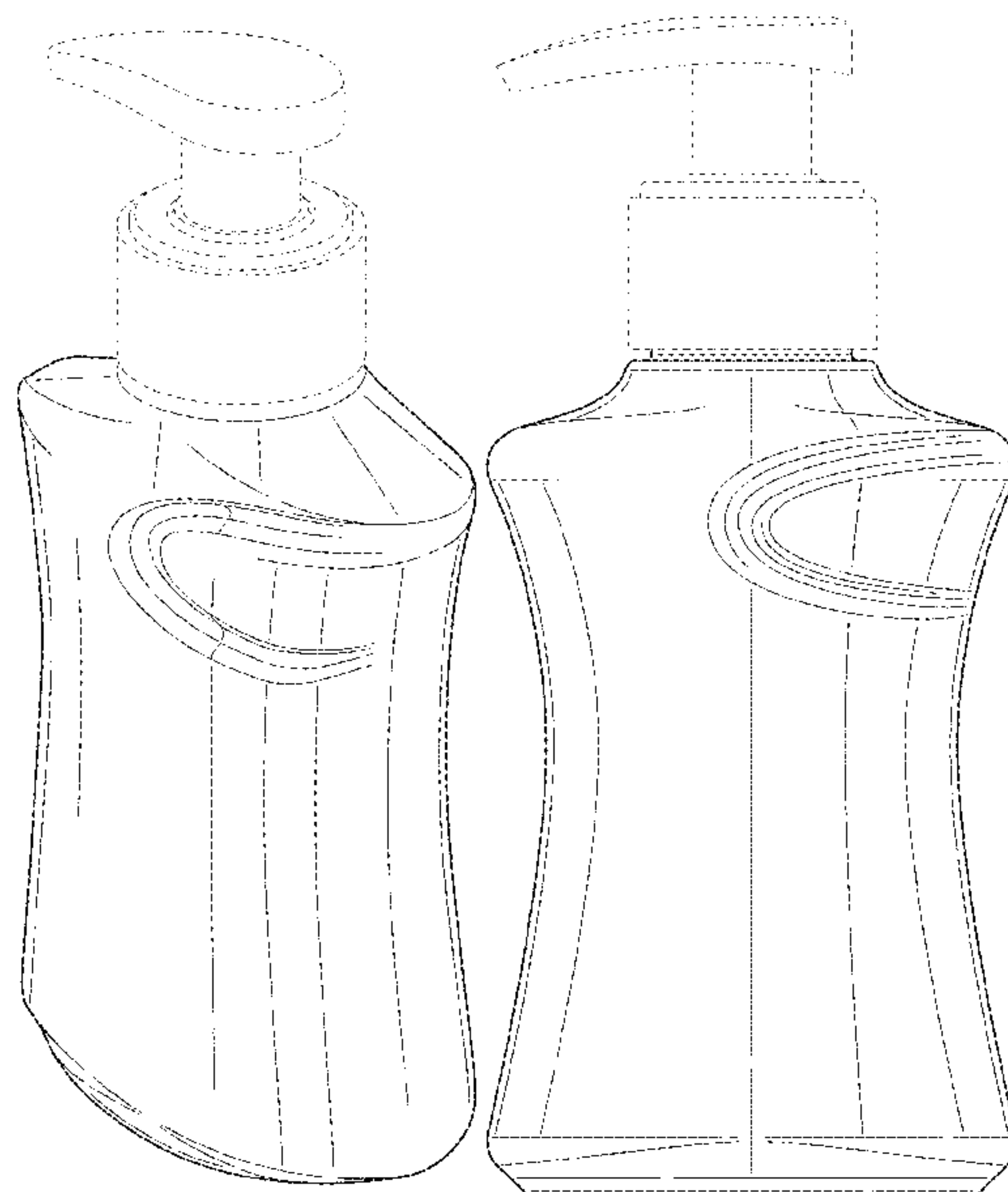
USPC D9/434, 516, 530, 537, 542, 543, 549, D9/552, 558, 575, 682, 690–691, 719; D6/542; D28/91.1

CPC B65D 1/00; B65D 1/02; B65D 1/0223; B65D 23/00; B65D 2501/00; B65D 2501/0009; B65D 2501/0018; B65D 2501/0036; B65D 2501/0081

The broken lines in the drawings illustrate the portions of the dispensing bottle that form no part of the claimed design.

See application file for complete search history.

1 Claim, 7 Drawing Sheets



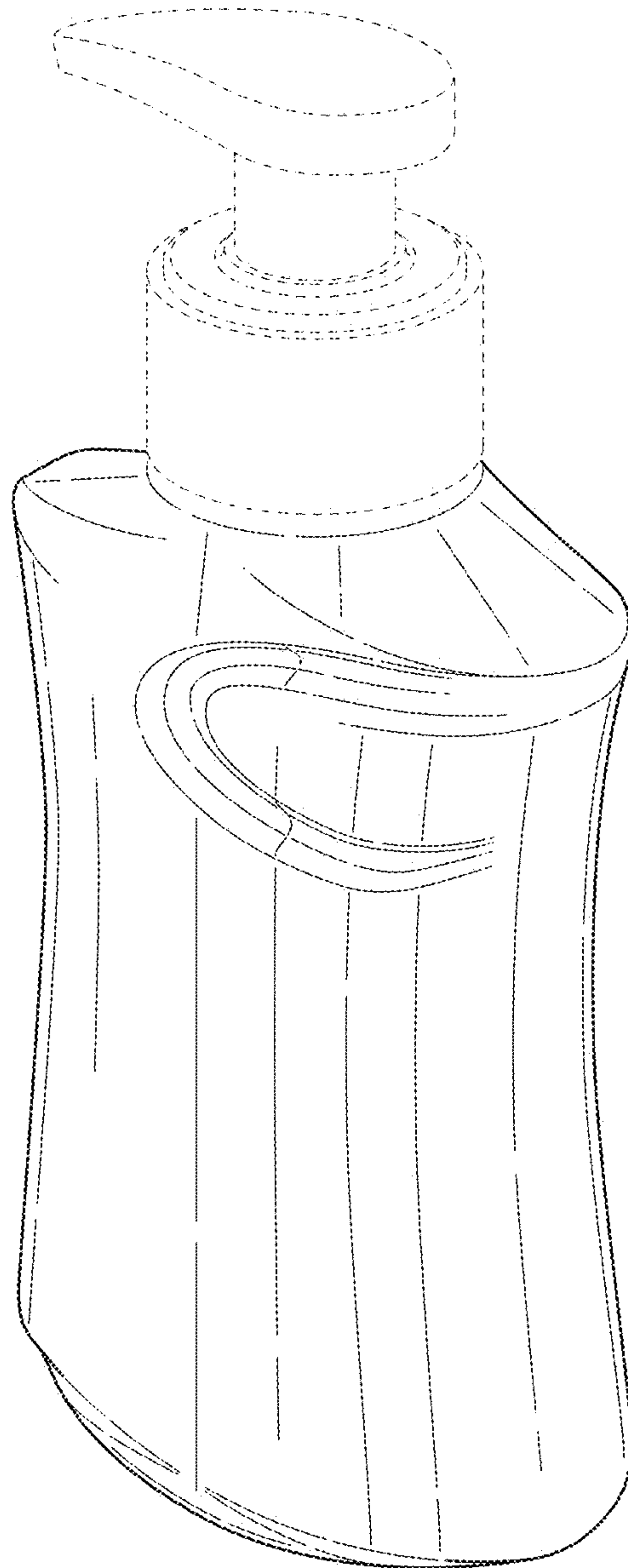


Fig. 1

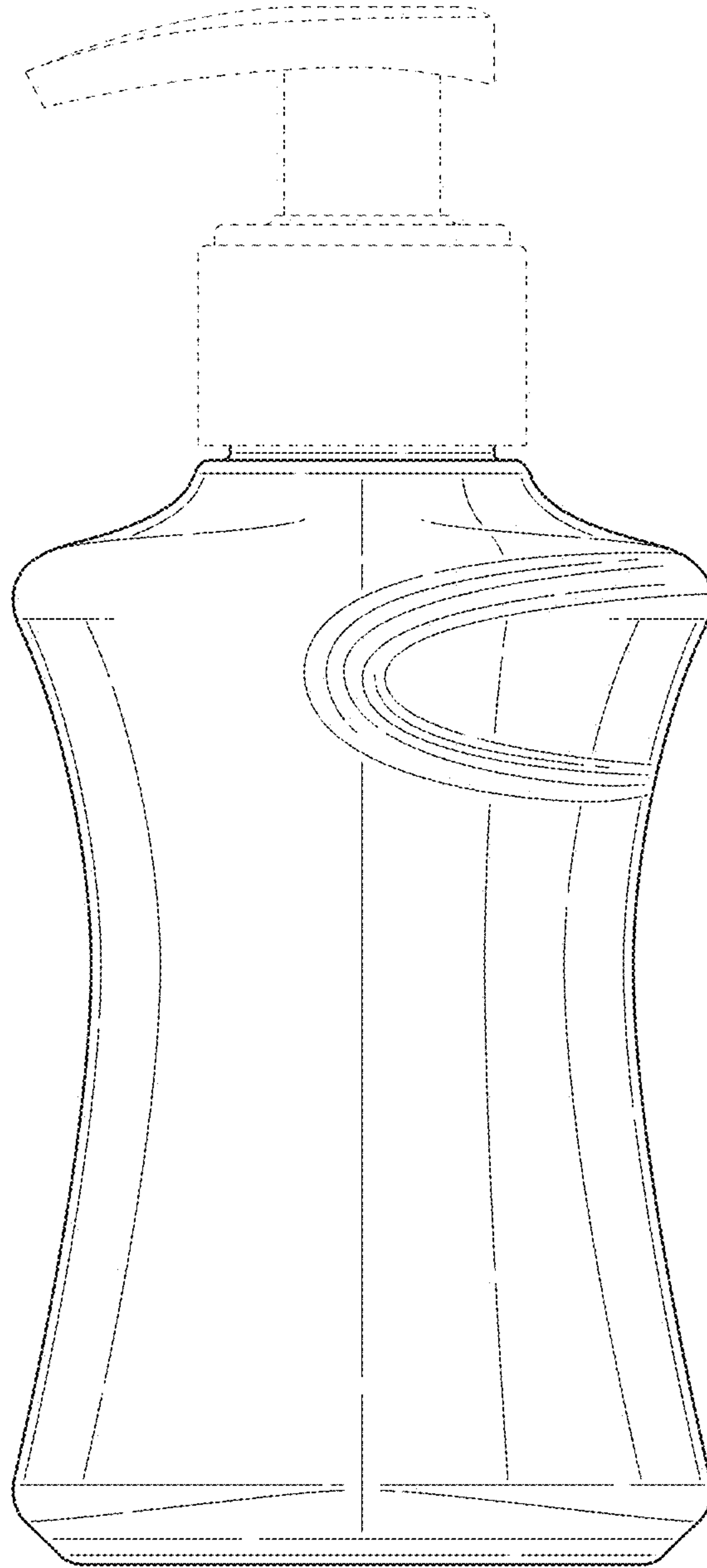


Fig. 2

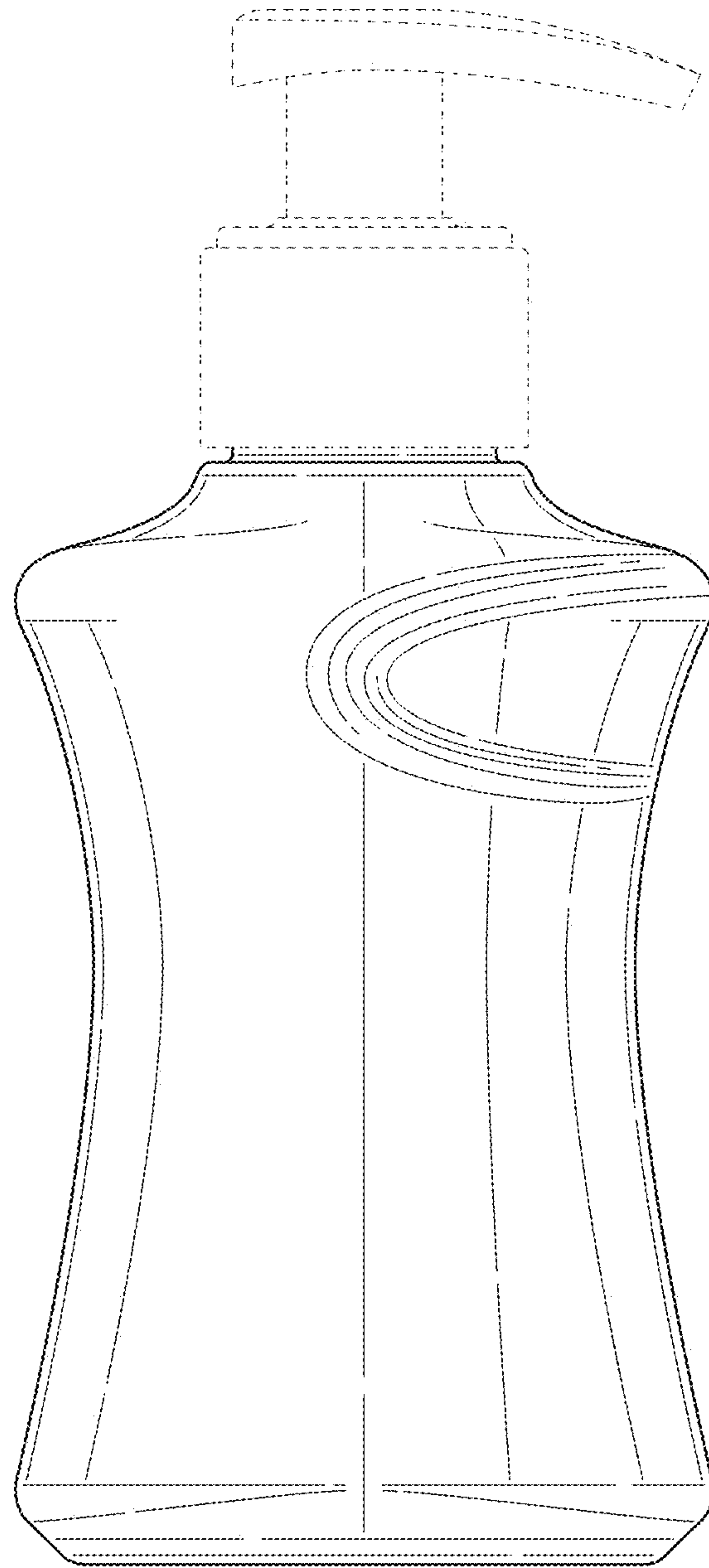


Fig. 3

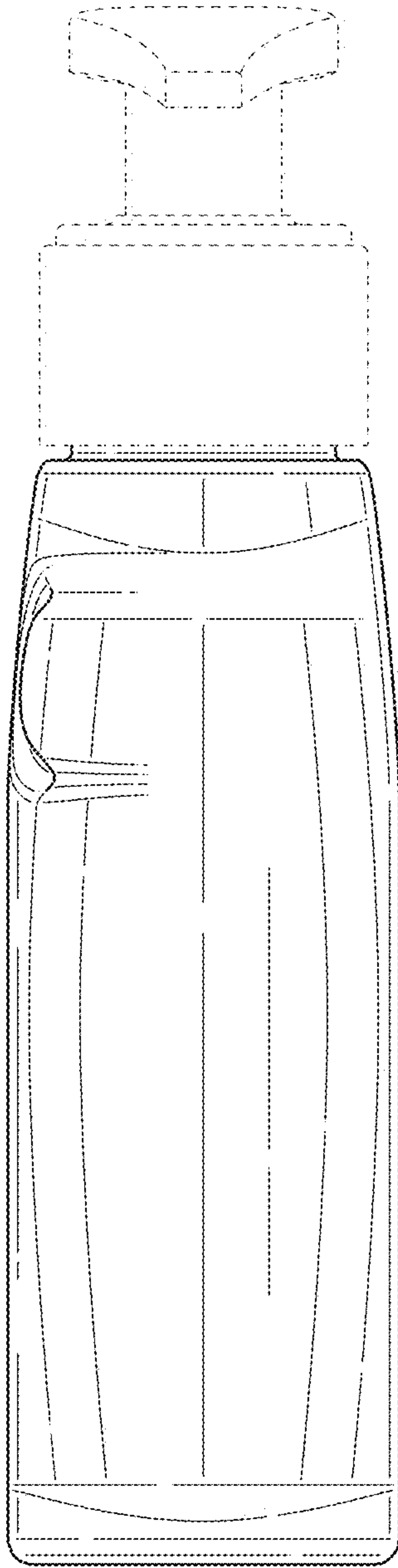


Fig. 4

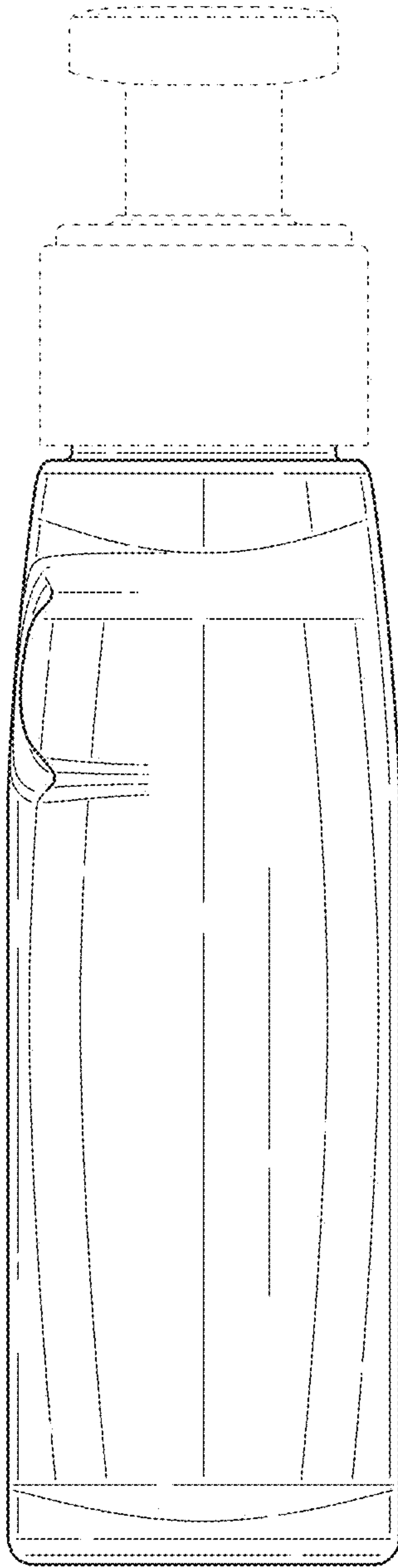


Fig. 5

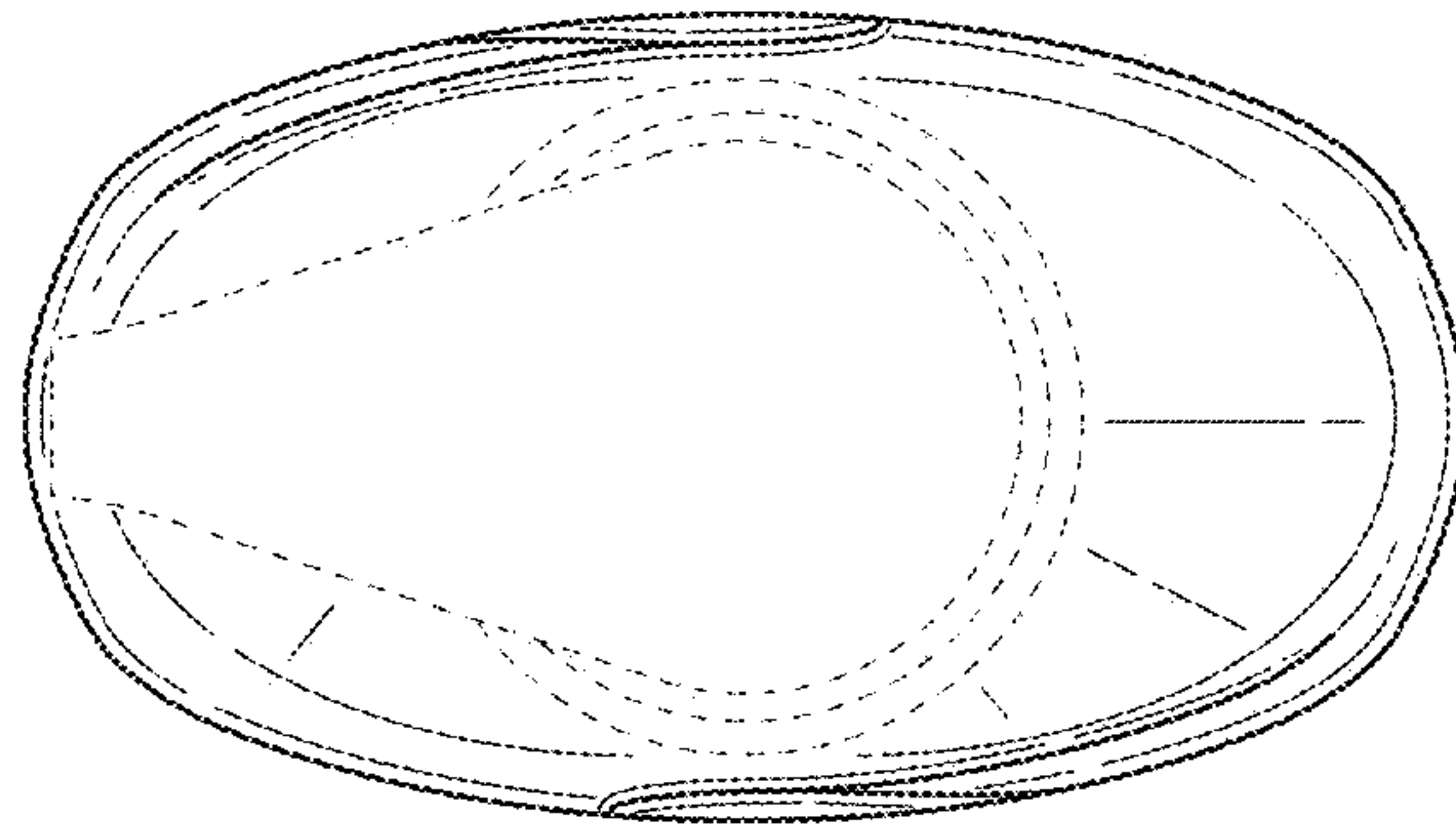


Fig. 6

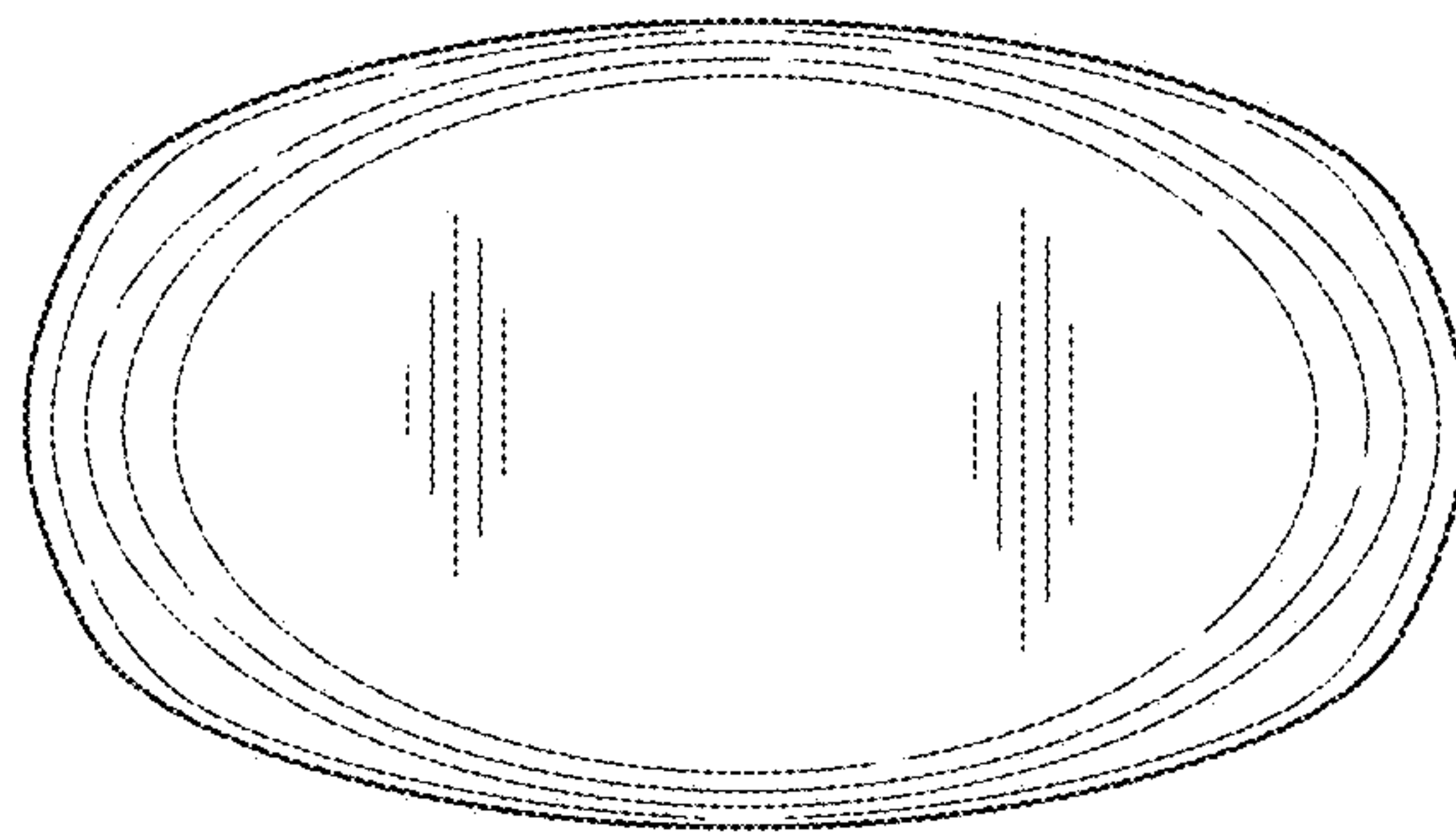


Fig. 7